

US00D682395S

(12) **United States Design Patent**
Mendoza et al.

(10) **Patent No.:** **US D682,395 S**

(45) **Date of Patent:** **** May 14, 2013**

(54) **FAUCET**

(75) Inventors: **Lea Mari Mendoza**, Morrow, GA (US);
Steven Chen, Morrow, GA (US);
Mitsuya Obara, Morrow, GA (US)

(73) Assignee: **Toto Ltd.** (JP)

(**) Term: **14 Years**

(21) Appl. No.: **29/415,230**

(22) Filed: **Mar. 8, 2012**

(51) **LOC (9) Cl.** **23-01**

(52) **U.S. Cl.**
USPC **D23/238**

(58) **Field of Classification Search** D23/238-240,
D23/255, 257, 250, 252; 4/675-678; 137/801
See application file for complete search history.

(56) **References Cited**

U.S. PATENT DOCUMENTS

D517,653 S * 3/2006 Ito D23/238
D636,853 S * 4/2011 Yu D23/238

* cited by examiner

Primary Examiner — Robert Delehanty

(74) *Attorney, Agent, or Firm* — Banner & Witcoff, Ltd.

(57) **CLAIM**

The ornamental design for a faucet, as shown and described.

DESCRIPTION

FIG. 1 is a perspective view of front, top and right side of a faucet according to our new design;

FIG. 2 is a front view thereof;

FIG. 3 is a rear view thereof;

FIG. 4 is a left side view thereof;

FIG. 5 is a right side view thereof;

FIG. 6 is a top view thereof; and,

FIG. 7 is a bottom view thereof.

The portions of the article in broken lines are shown for illustrative purposes only and form no part of the claimed design.

1 Claim, 5 Drawing Sheets

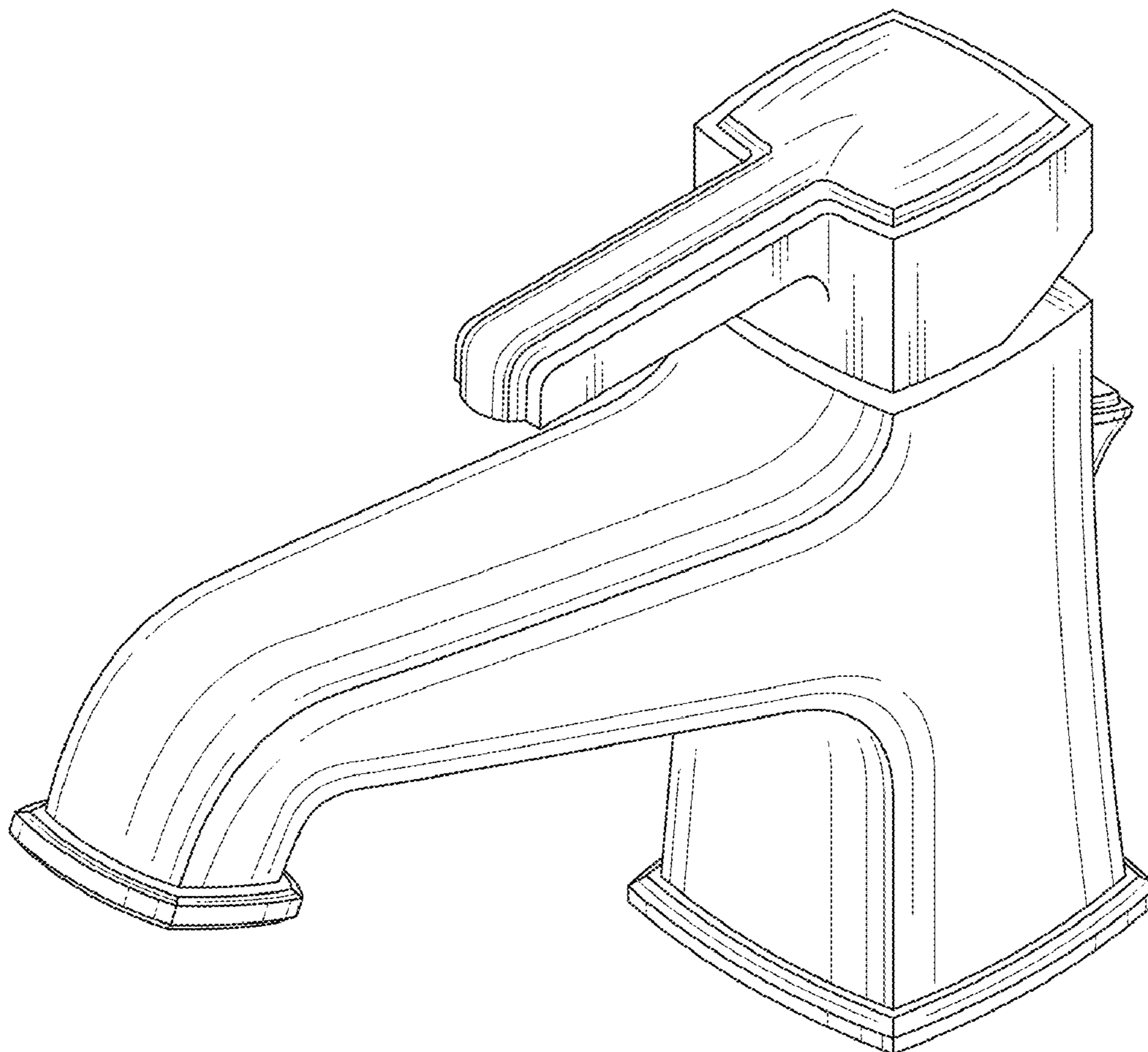


Fig. 1

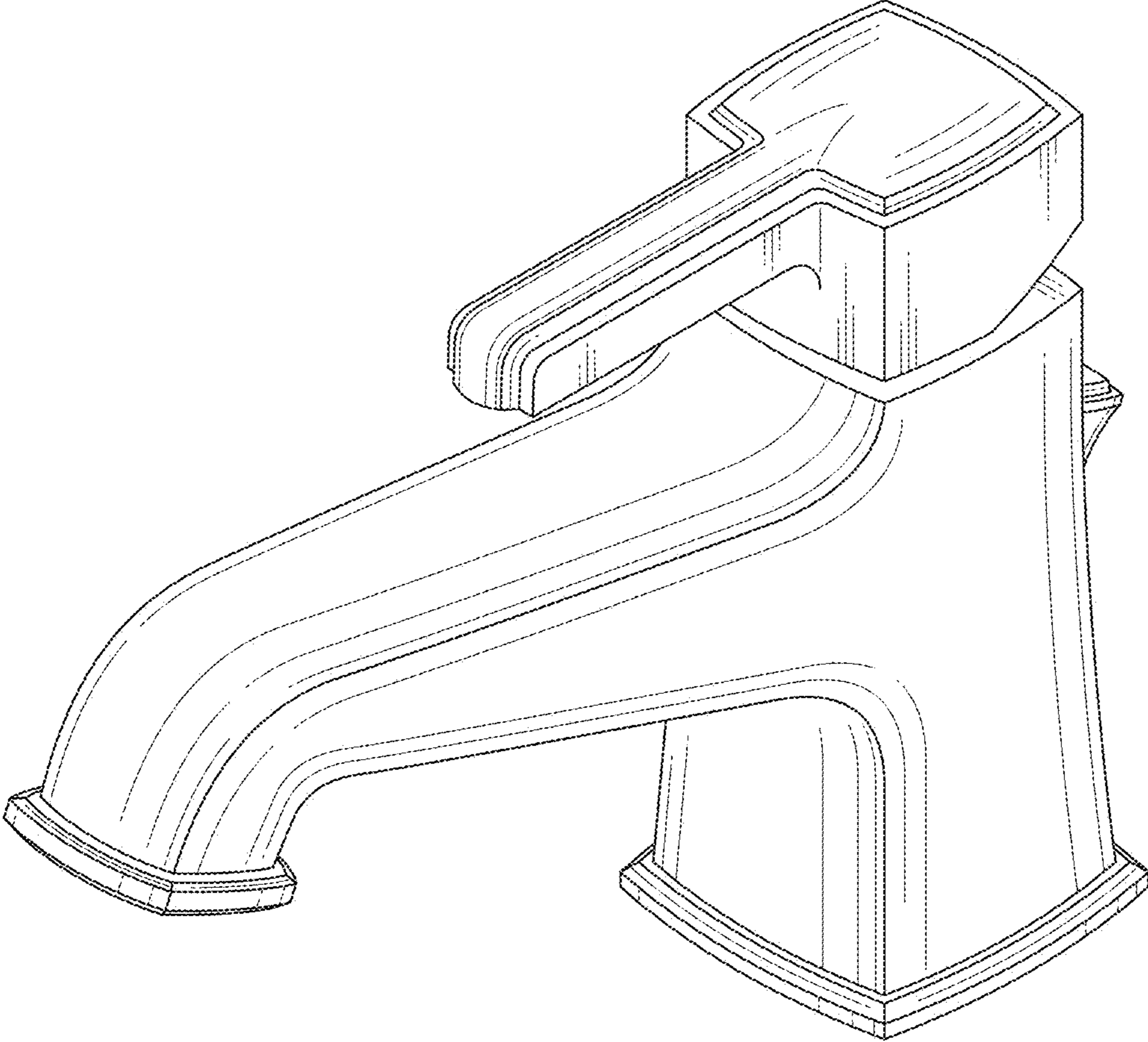


Fig. 2

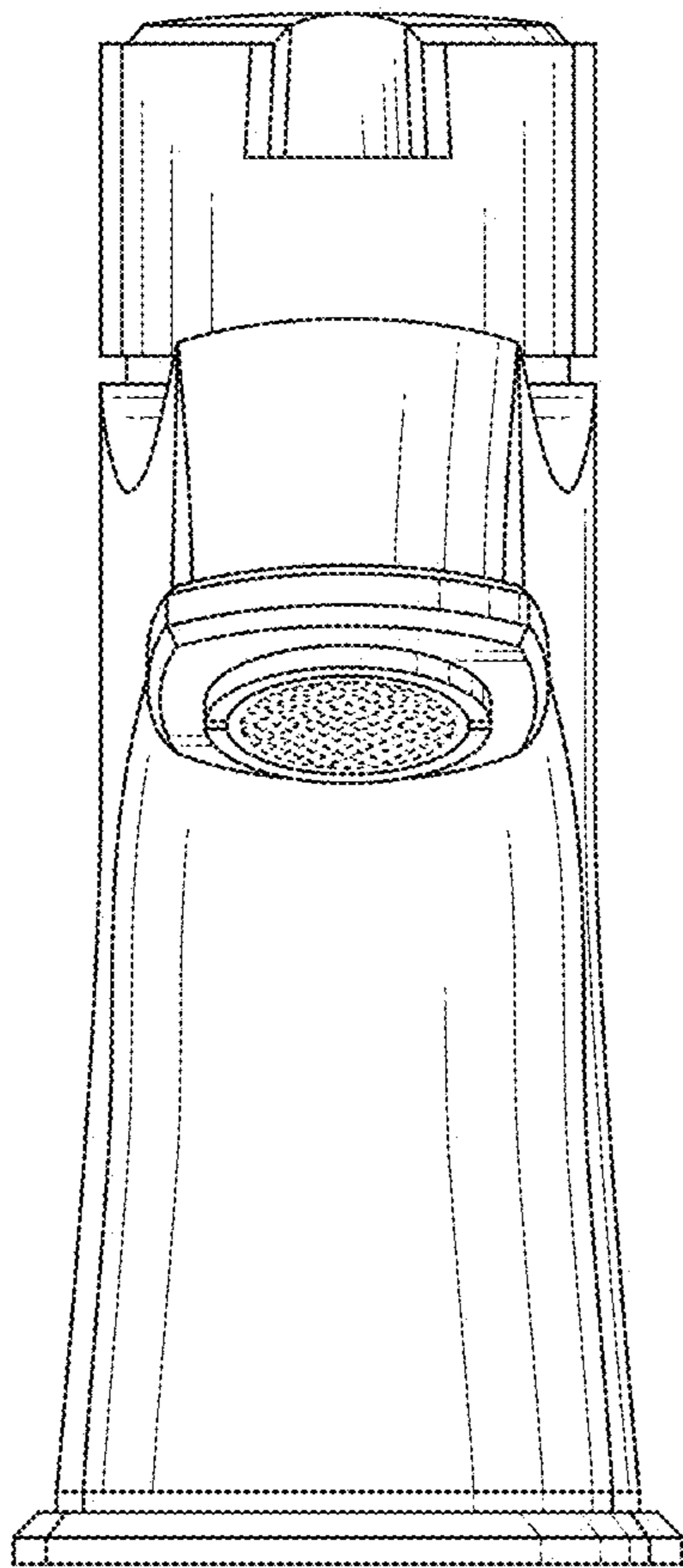


Fig. 3

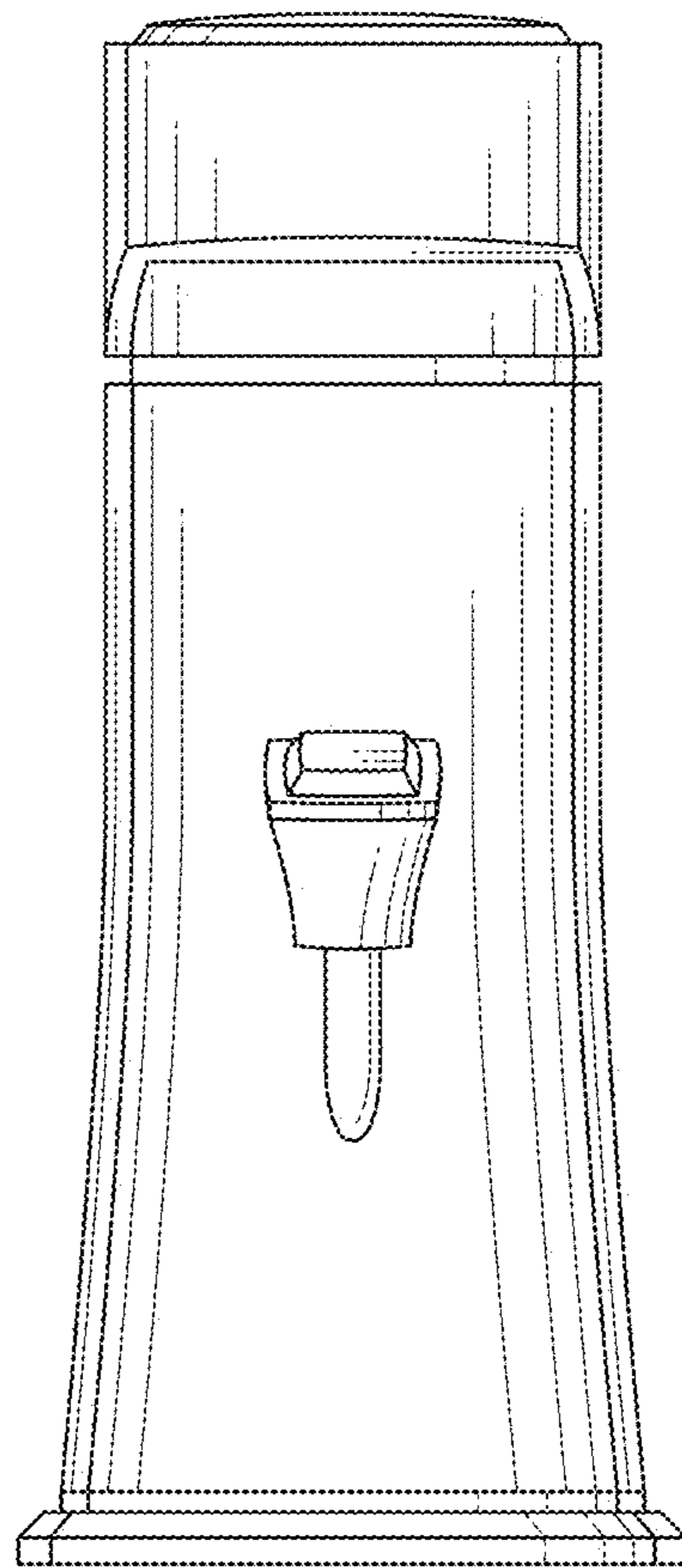


Fig. 4

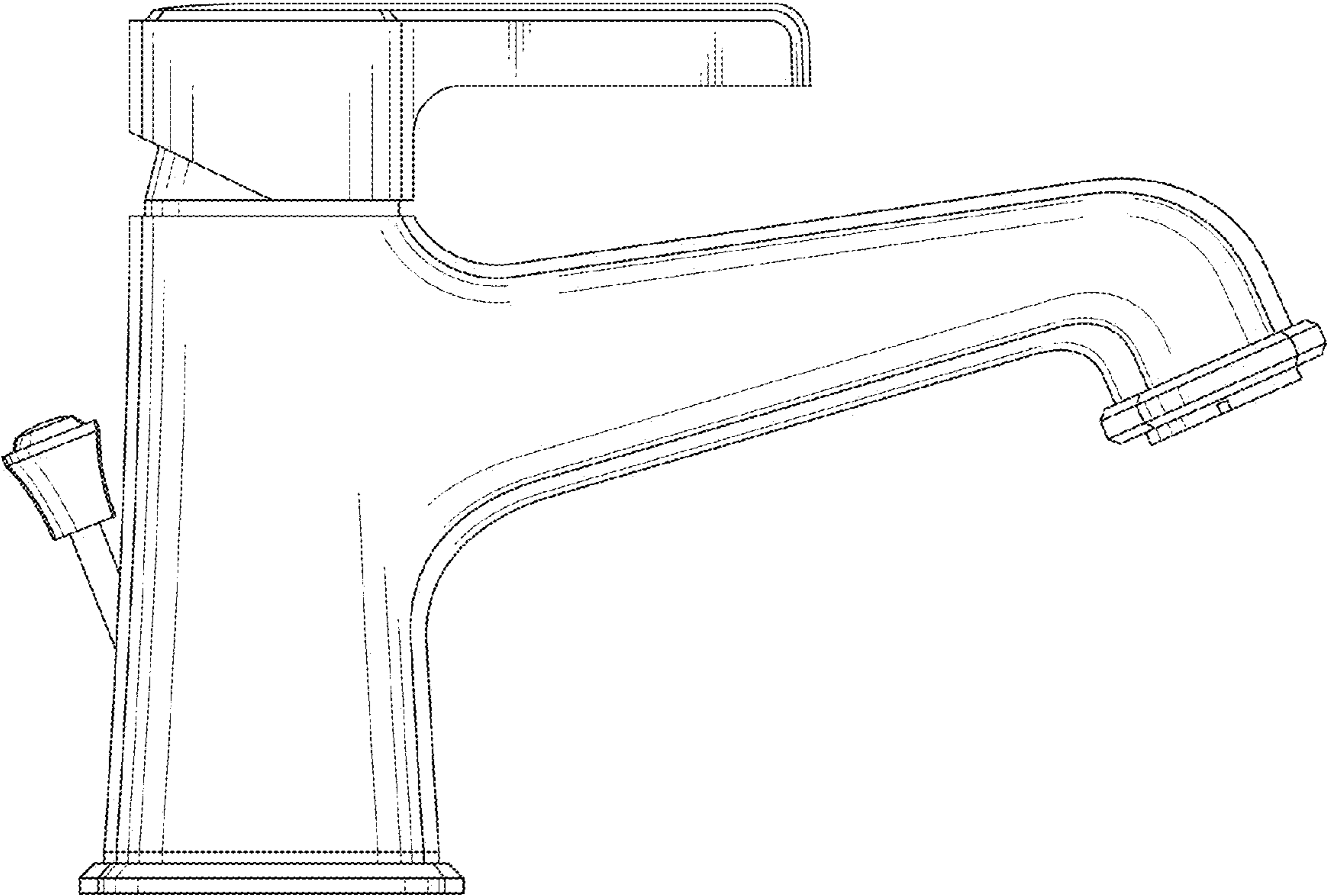


Fig. 5

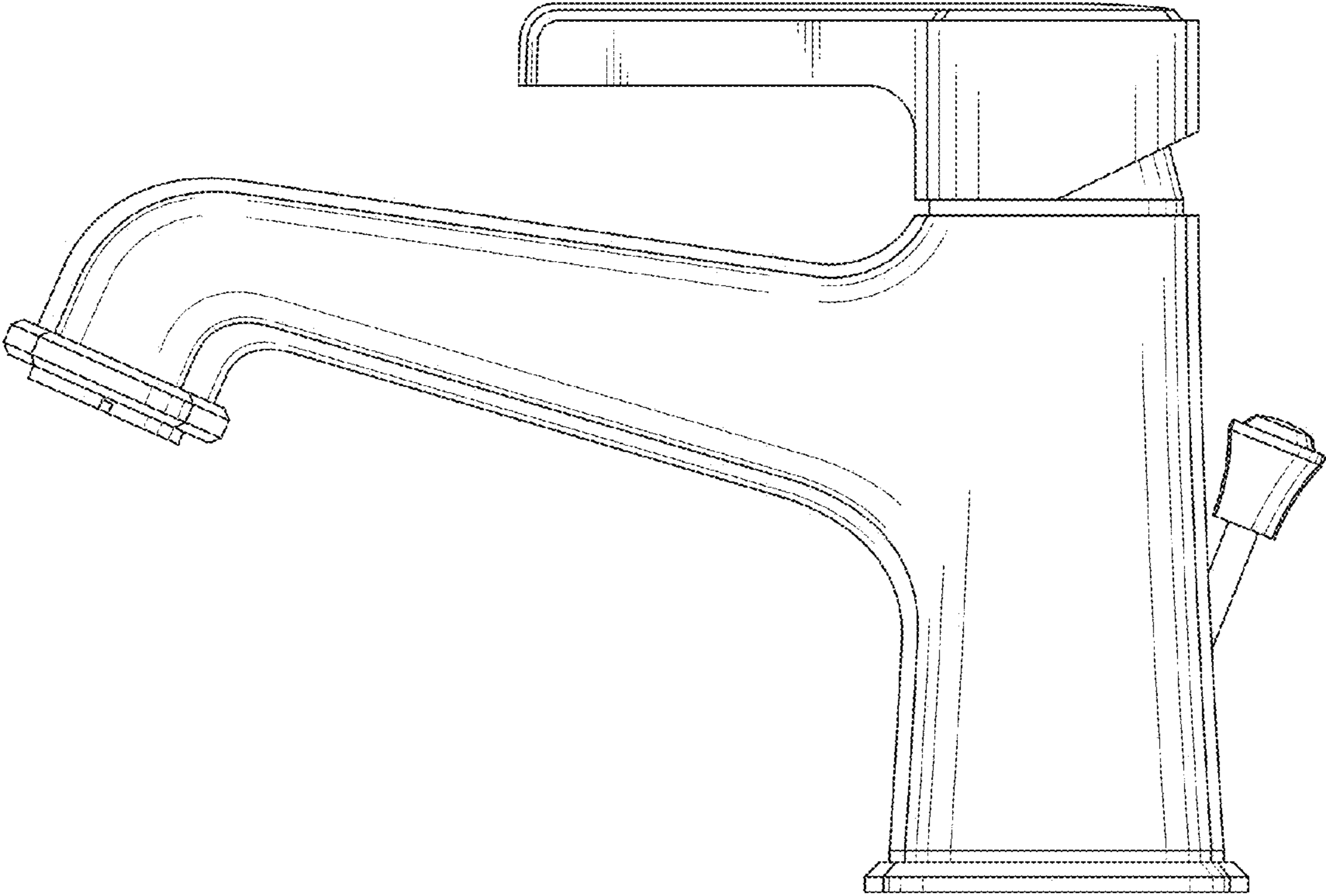


Fig. 6

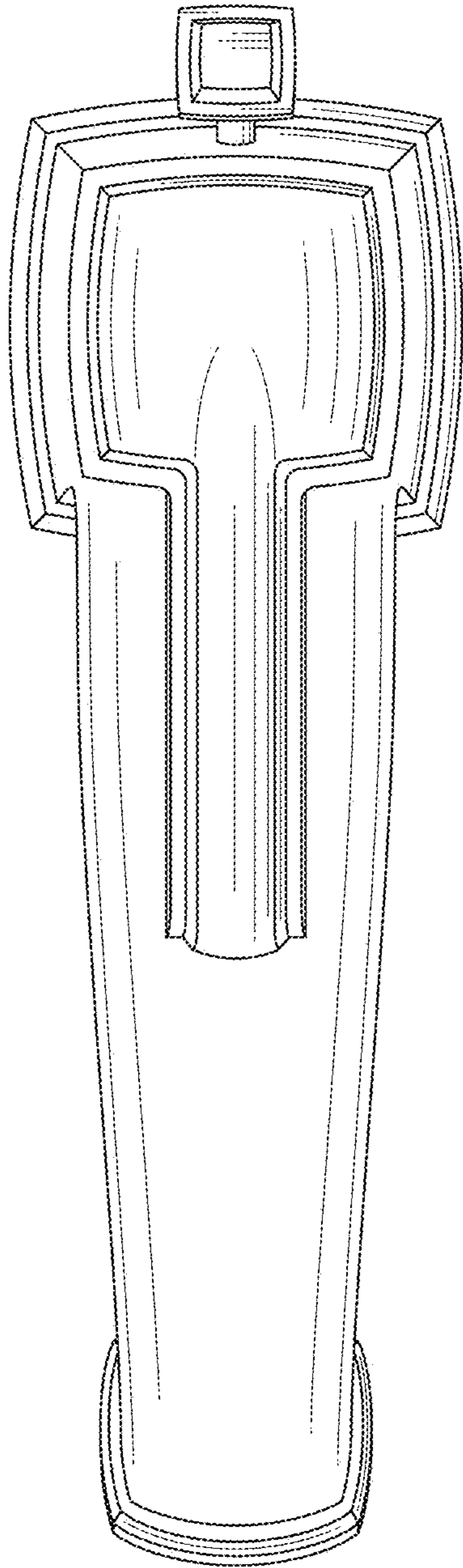


Fig. 7

