



US00D682394S

(12) **United States Design Patent**  
**Sprouse**

(10) **Patent No.:** **US D682,394 S**

(45) **Date of Patent:** **\*\* May 14, 2013**

(54) **AIR PUMP**

(75) Inventor: **Anthony Eric Sprouse**, O'Fallon, IL (US)

(73) Assignee: **ROHO, Inc.**, Belleville, IL (US)

(\*\*) Term: **14 Years**

(21) Appl. No.: **29/410,901**

(22) Filed: **Jan. 13, 2012**

(51) **LOC (9) Cl.** ..... **15-02**

(52) **U.S. Cl.**  
USPC ..... **D23/231**

(58) **Field of Classification Search** ..... D23/231-232;  
D15/7; 417/479, 480  
See application file for complete search history.

(56) **References Cited**

U.S. PATENT DOCUMENTS

3,713,640	A	1/1973	Margan	
5,074,765	A *	12/1991	Pekar	417/480
5,083,320	A	1/1992	Halstead	
5,144,708	A	9/1992	Pekar	
5,263,203	A	11/1993	Kraemer et al.	
5,372,487	A	12/1994	Pekar	
5,431,634	A *	7/1995	Brown	604/153
5,564,143	A	10/1996	Pekar et al.	
D386,558	S	11/1997	Rietkerk	
5,913,412	A	6/1999	Huber et al.	

6,073,271	A	6/2000	Alexander et al.	
6,530,092	B2	3/2003	Pope	
6,598,250	B1	7/2003	Pekar	
6,681,408	B2	1/2004	Ku	
7,261,525	B2 *	8/2007	Pekar	417/479
7,950,909	B2 *	5/2011	Chang	417/480

\* cited by examiner

*Primary Examiner* — Robin V Webster

(74) *Attorney, Agent, or Firm* — Polster Lieder Woodruff & Lucchesi, L.C.

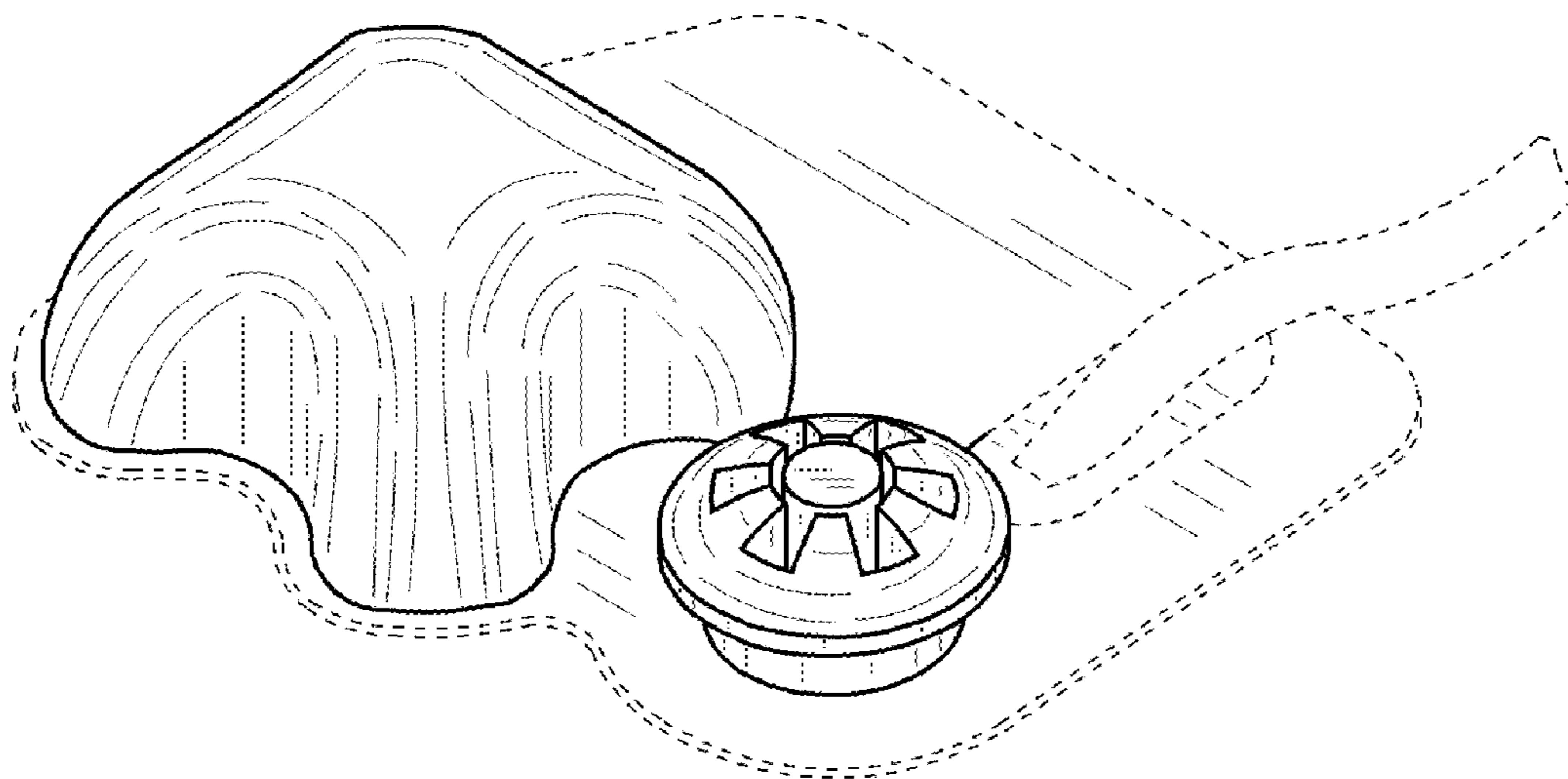
(57) **CLAIM**

The ornamental design for an air pump, as shown and described.

**DESCRIPTION**

FIG. 1 is a front and top perspective view of the air pump showing my new design;  
 FIG. 2 is front elevational view of the air pump showing my new design;  
 FIG. 3 is a rear elevational view thereof  
 FIG. 4 is left side elevational view thereof;  
 FIG. 5 is a right side elevational view thereof,  
 FIG. 6 is top plan view thereof; and,  
 FIG. 7 is a bottom plan view thereof.  
 All broken lines are for illustrative purposes only and form no part of the claimed design.

**1 Claim, 2 Drawing Sheets**



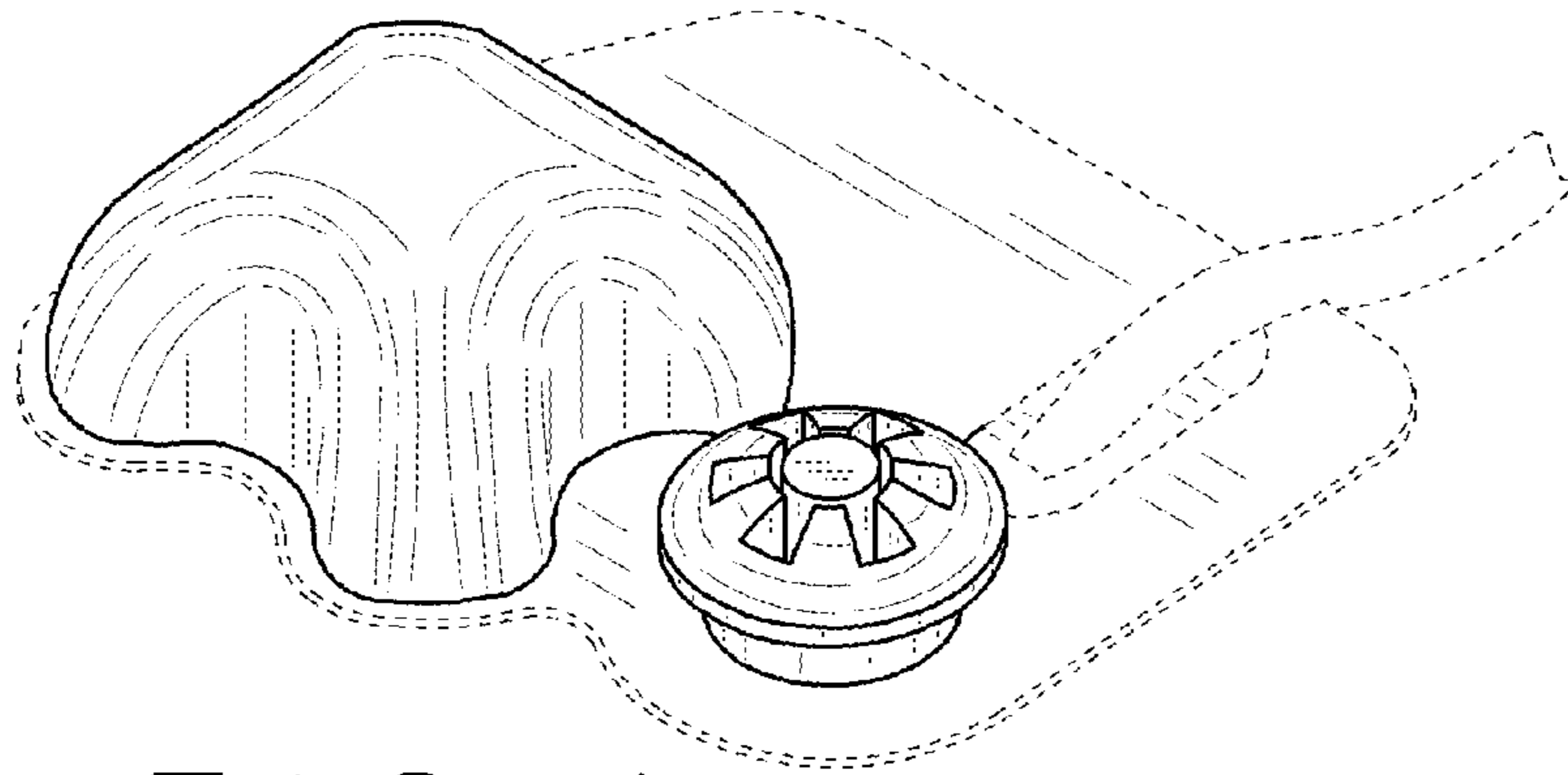


FIG. 1

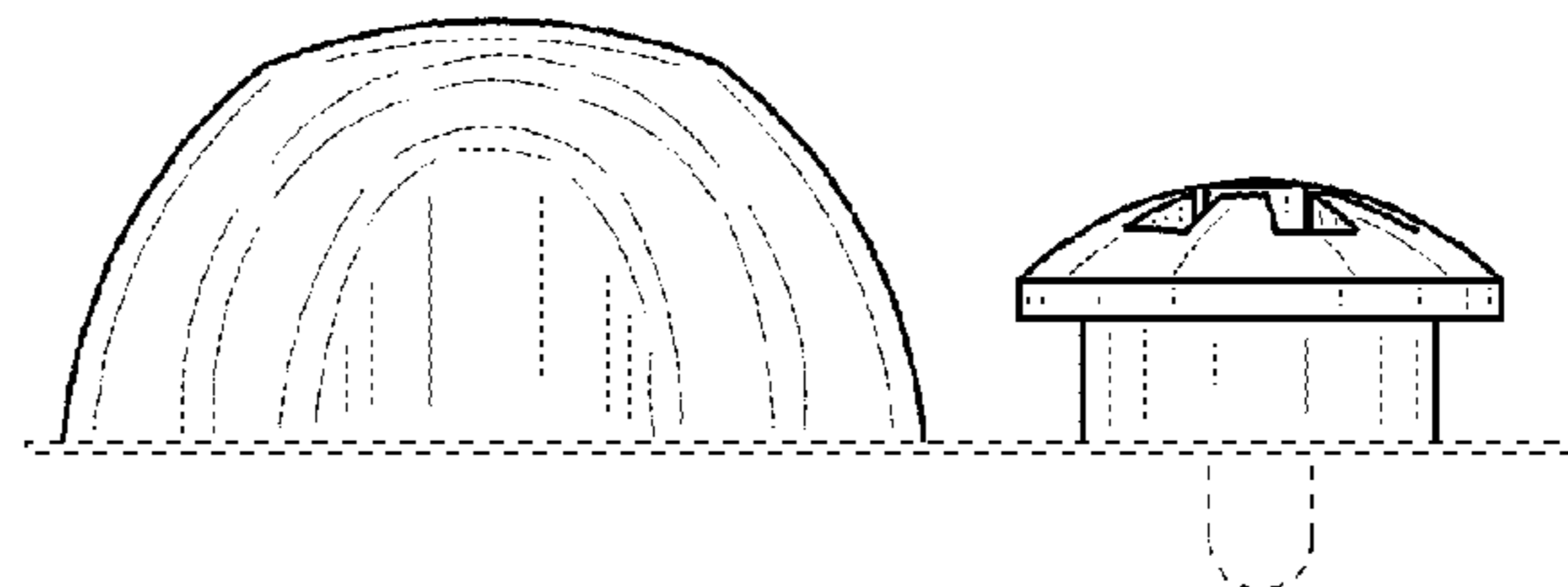


FIG. 2

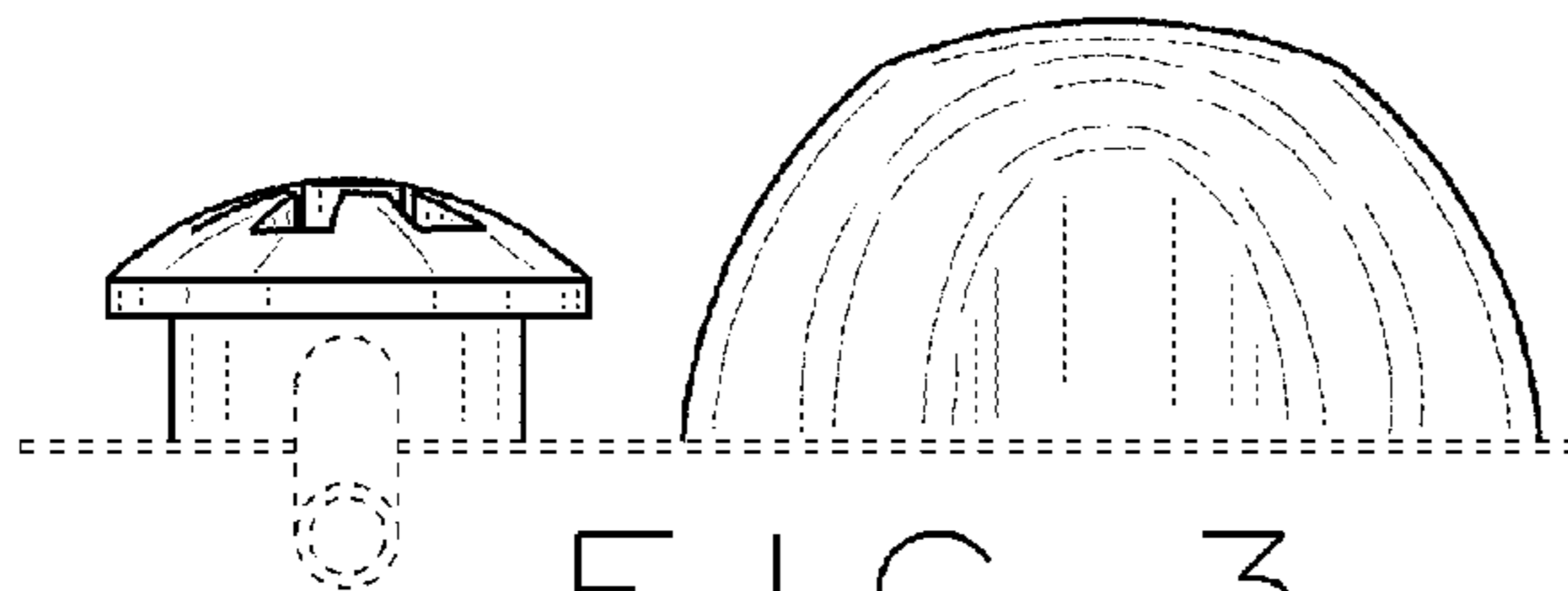


FIG. 3

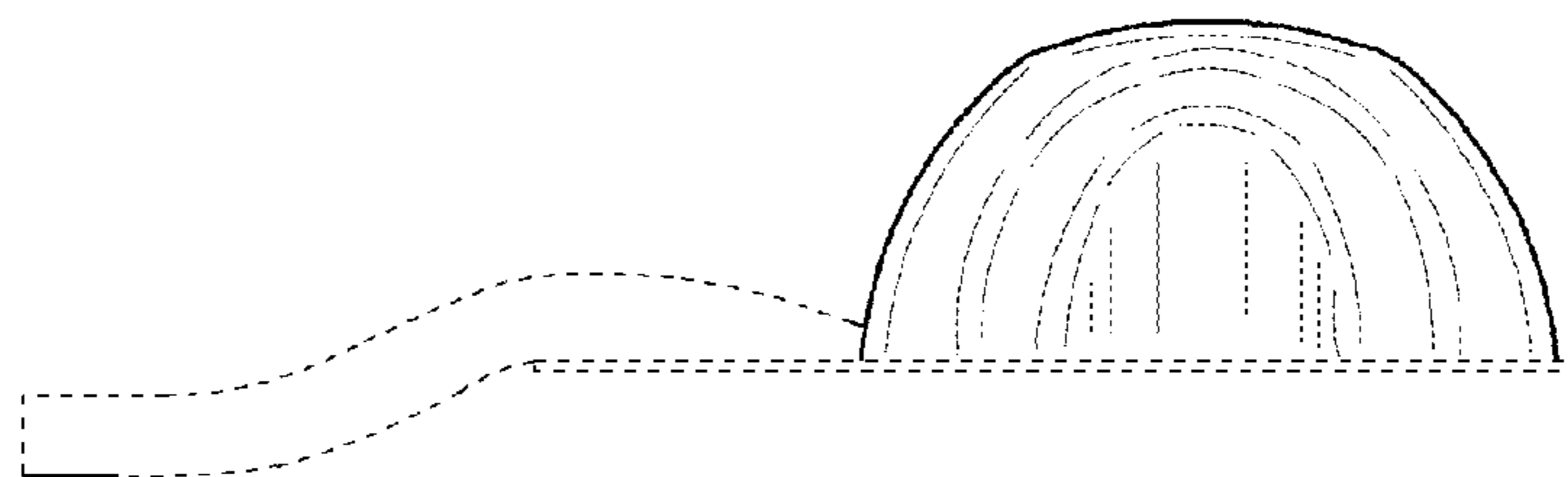


FIG. 4

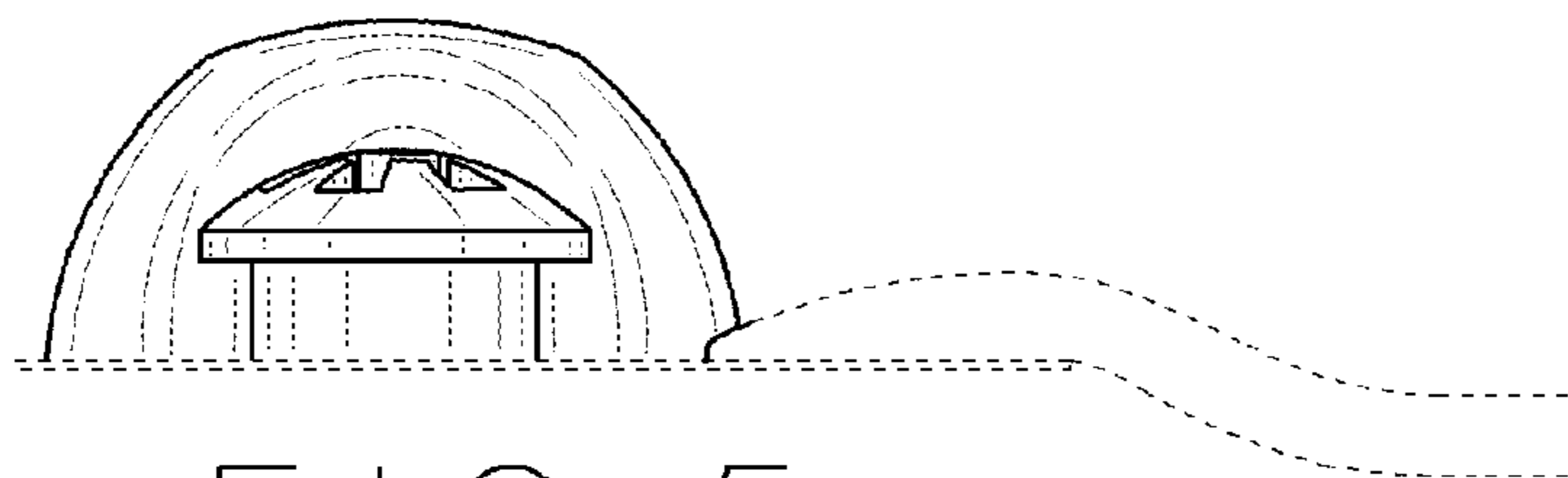


FIG. 5

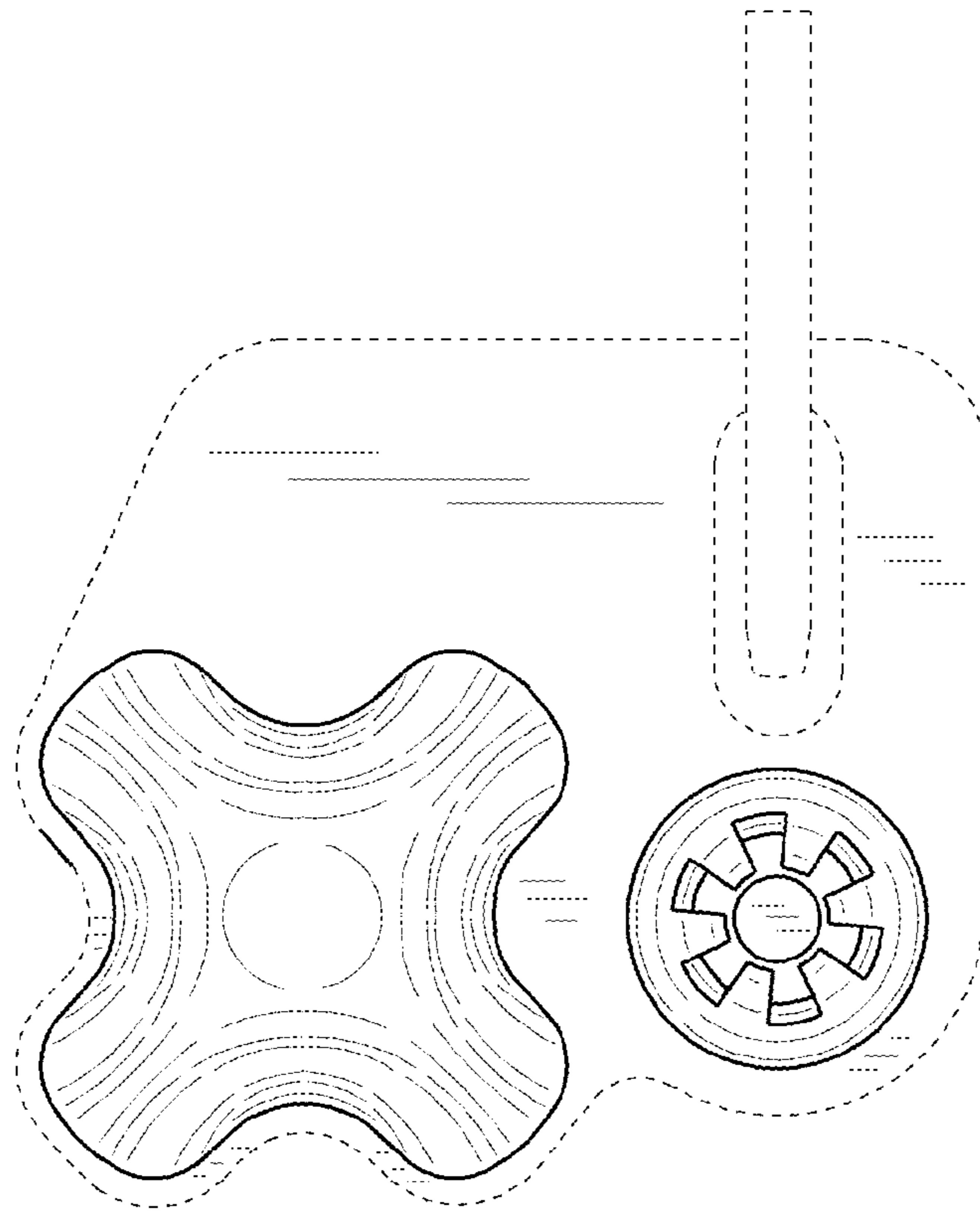


FIG. 6

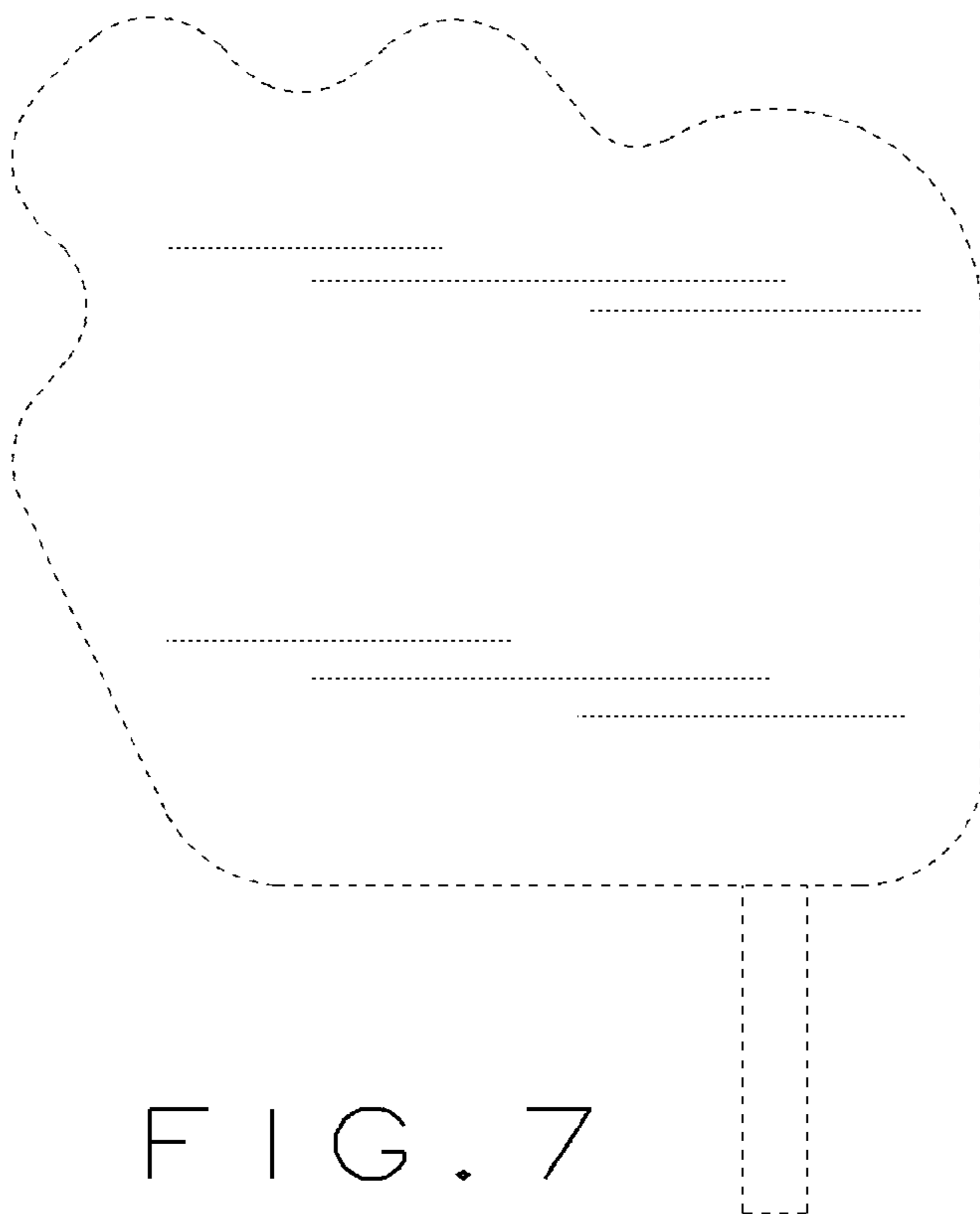


FIG. 7