



US00D682392S

(12) **United States Design Patent**  
**Boyles**

(10) **Patent No.:** **US D682,392 S**

(45) **Date of Patent:** **\*\* May 14, 2013**

(54) **SPRINKLER SPINNER**

(76) Inventor: **Jamie Scott Boyles**, Yarragon (AU)

(\*\*) Term: **14 Years**

(21) Appl. No.: **29/422,120**

(22) Filed: **May 16, 2012**

(30) **Foreign Application Priority Data**

Nov. 16, 2011 (AU) ..... 15227/2011

(51) **LOC (9) Cl.** ..... **23-01**

(52) **U.S. Cl.**  
USPC ..... **D23/214**

(58) **Field of Classification Search** ..... D23/213–221;  
239/200–206

See application file for complete search history.

(56) **References Cited**

**U.S. PATENT DOCUMENTS**

D258,754 S *	3/1981	Addison et al. ....	D23/214
D259,438 S *	6/1981	Meyer .....	D23/214
D271,791 S *	12/1983	Healy .....	D23/214
D284,986 S *	8/1986	Lemkin et al. ....	D23/214
D303,138 S *	8/1989	Smith .....	D23/214
D312,864 S *	12/1990	Wherry et al. ....	D23/214

\* cited by examiner

*Primary Examiner* — Robin V Webster

(74) *Attorney, Agent, or Firm* — Taylor English Duma LLP

(57) **CLAIM**

I claim the ornamental design for a sprinkler spinner, as shown and described.

**DESCRIPTION**

FIG. 1 is a perspective view of a sprinkler spinner of the design described herein surrounded by a frame, connected to a base, and including surface treatments thereon.

FIG. 2 is another perspective view thereof.

FIG. 3 is a perspective view thereof as viewed from the bottom.

FIG. 4 is a front view thereof.

FIG. 5 is a rear view thereof.

FIG. 6 is a side view thereof with the frame rotated for clarity of view.

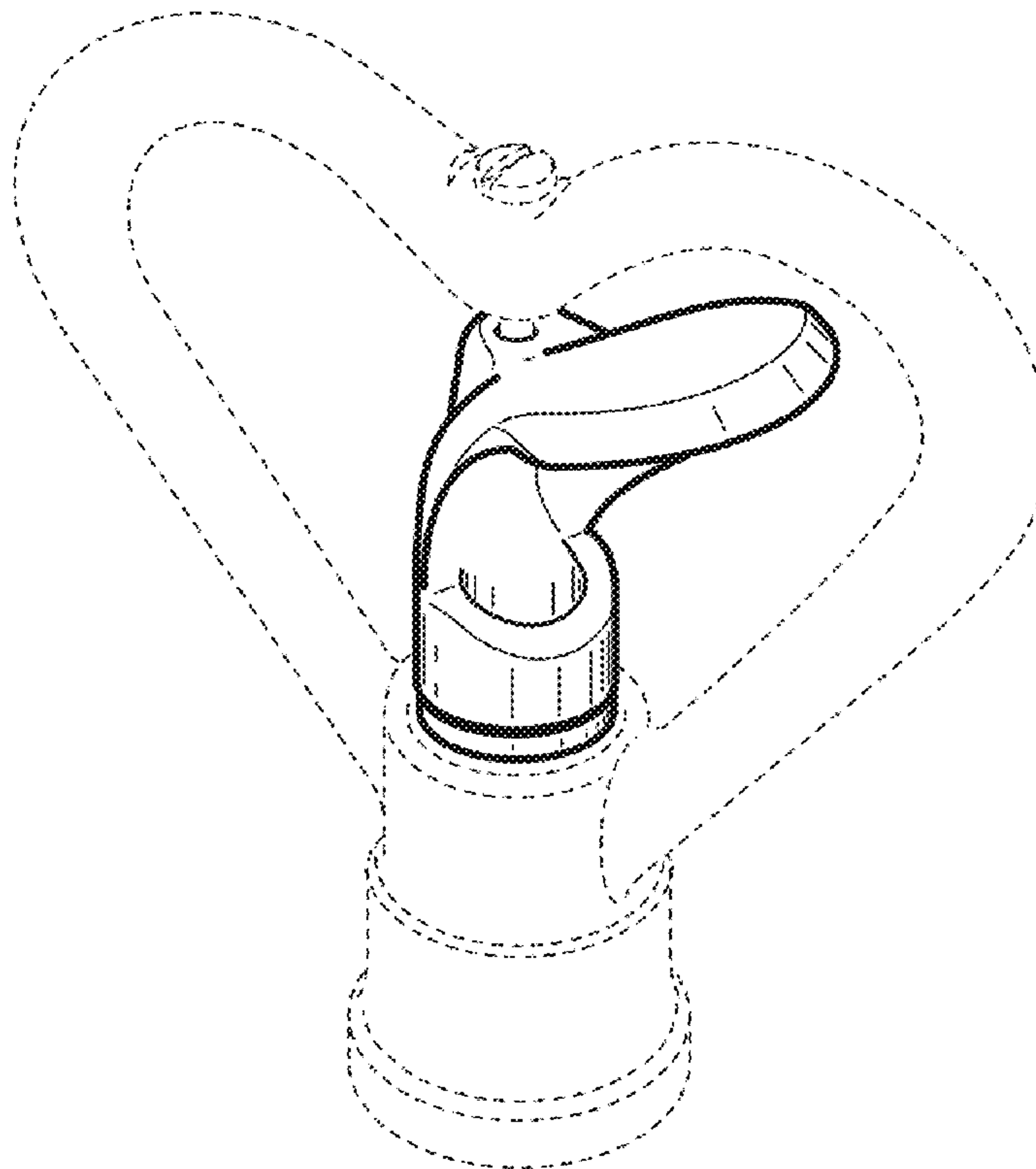
FIG. 7 is a side view thereof with the frame rotated for clarity of view.

FIG. 8 is a top view thereof in the orientation of FIGS. 4 and 5; and,

FIG. 9 is a top view thereof in the orientation of FIGS. 6 and 7.

The broken line showing of the frame and base is for illustrative purposes only and forms no part of the claimed design.

**1 Claim, 2 Drawing Sheets**



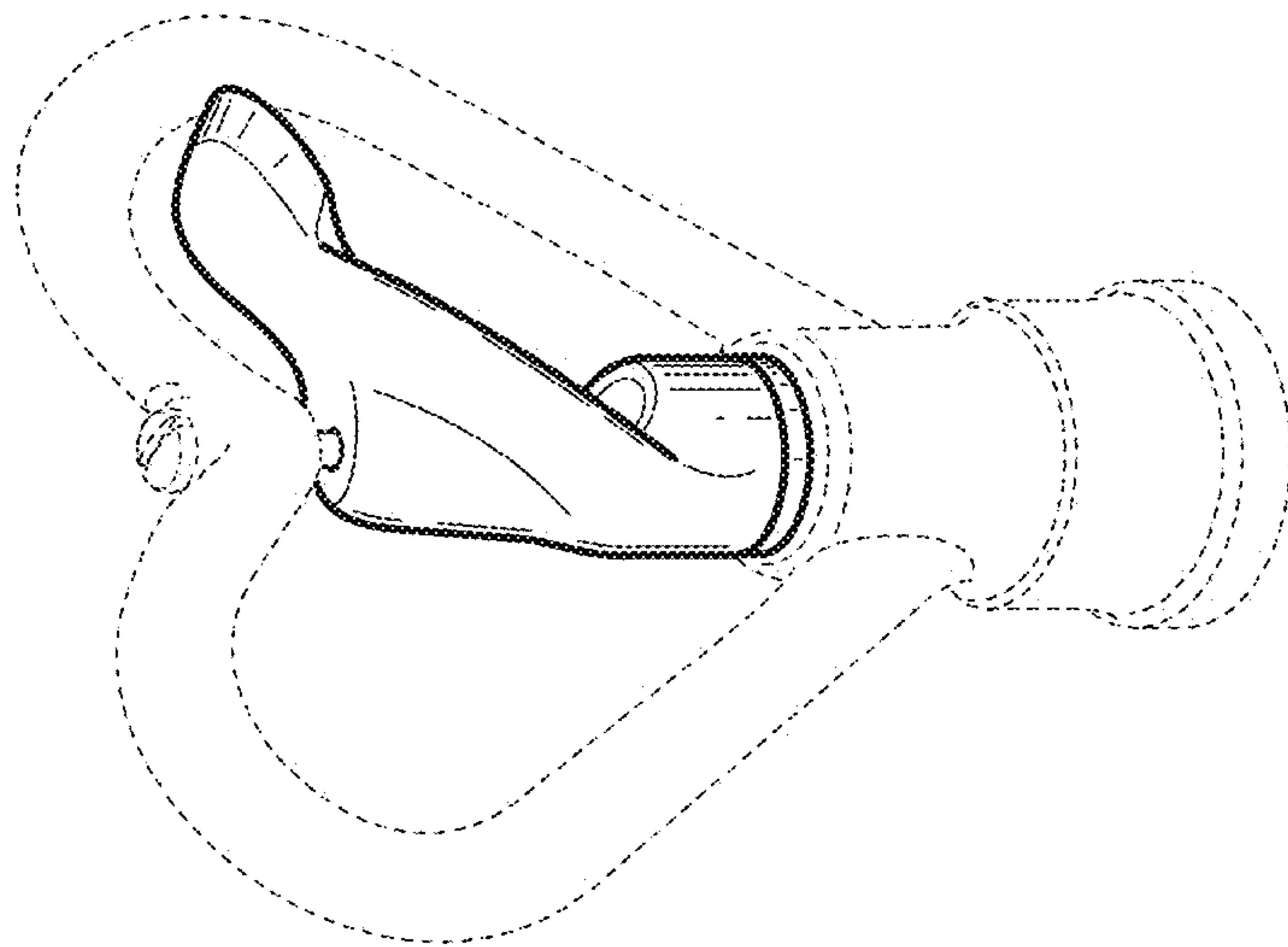


FIG. 1

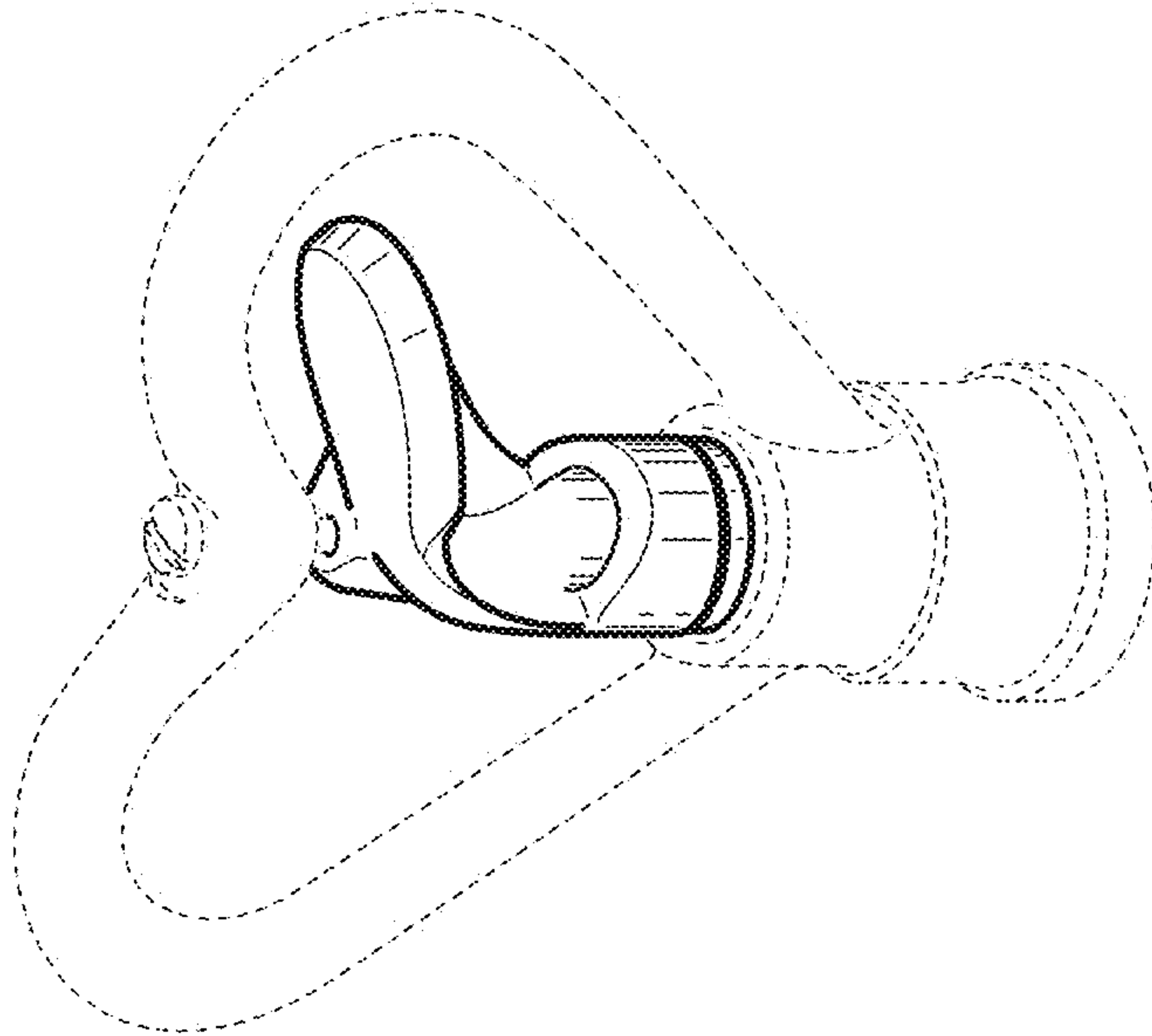


FIG. 2

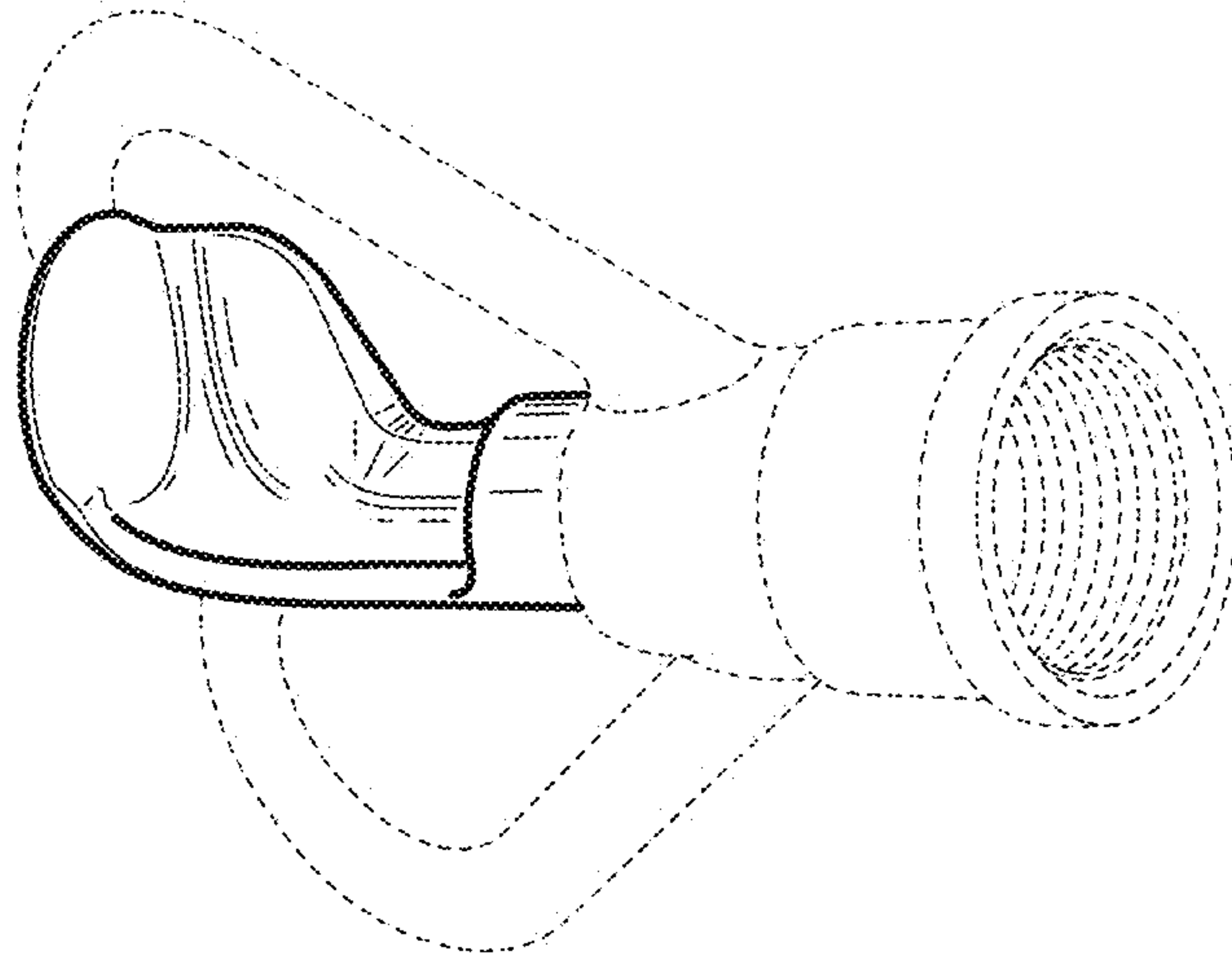
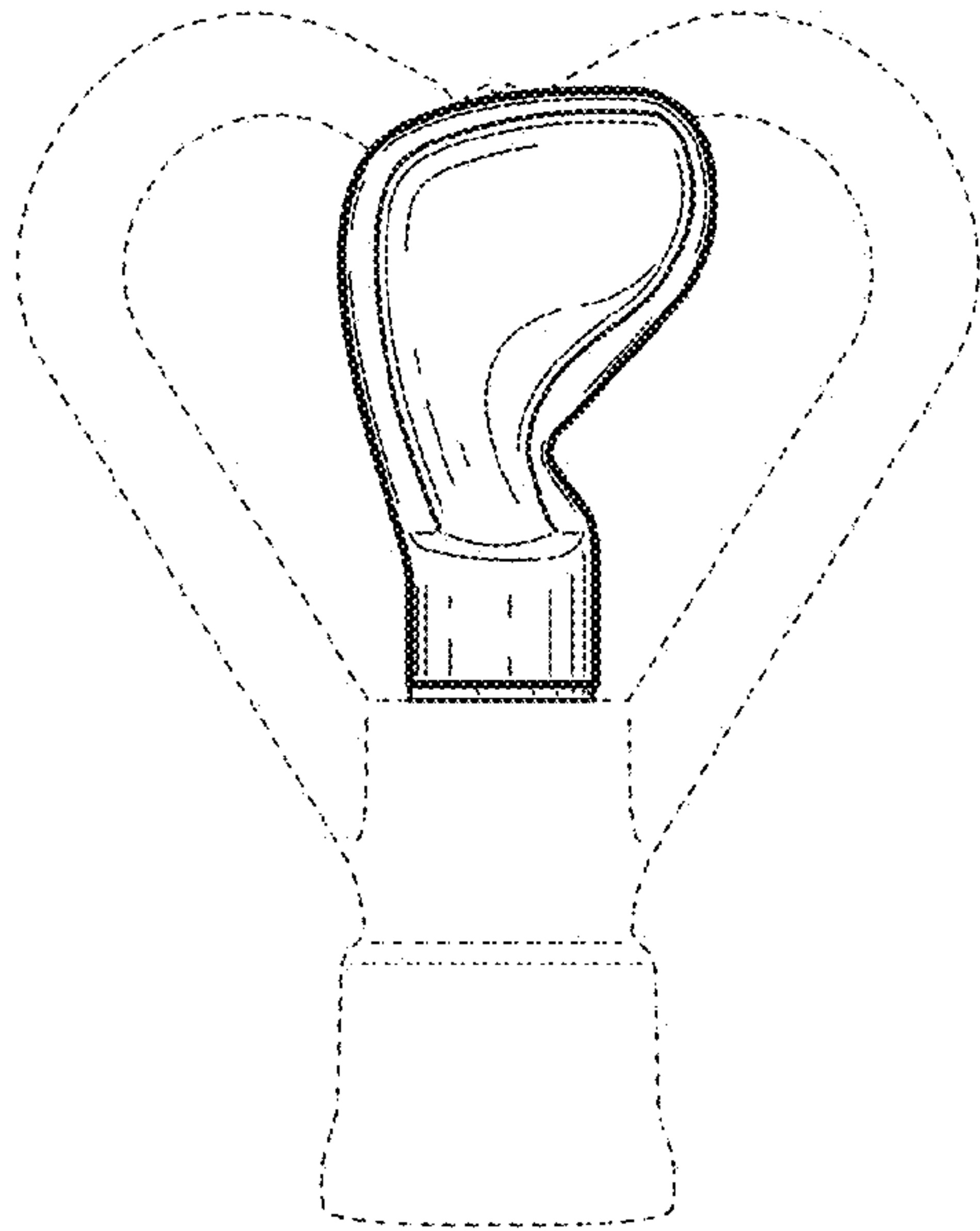
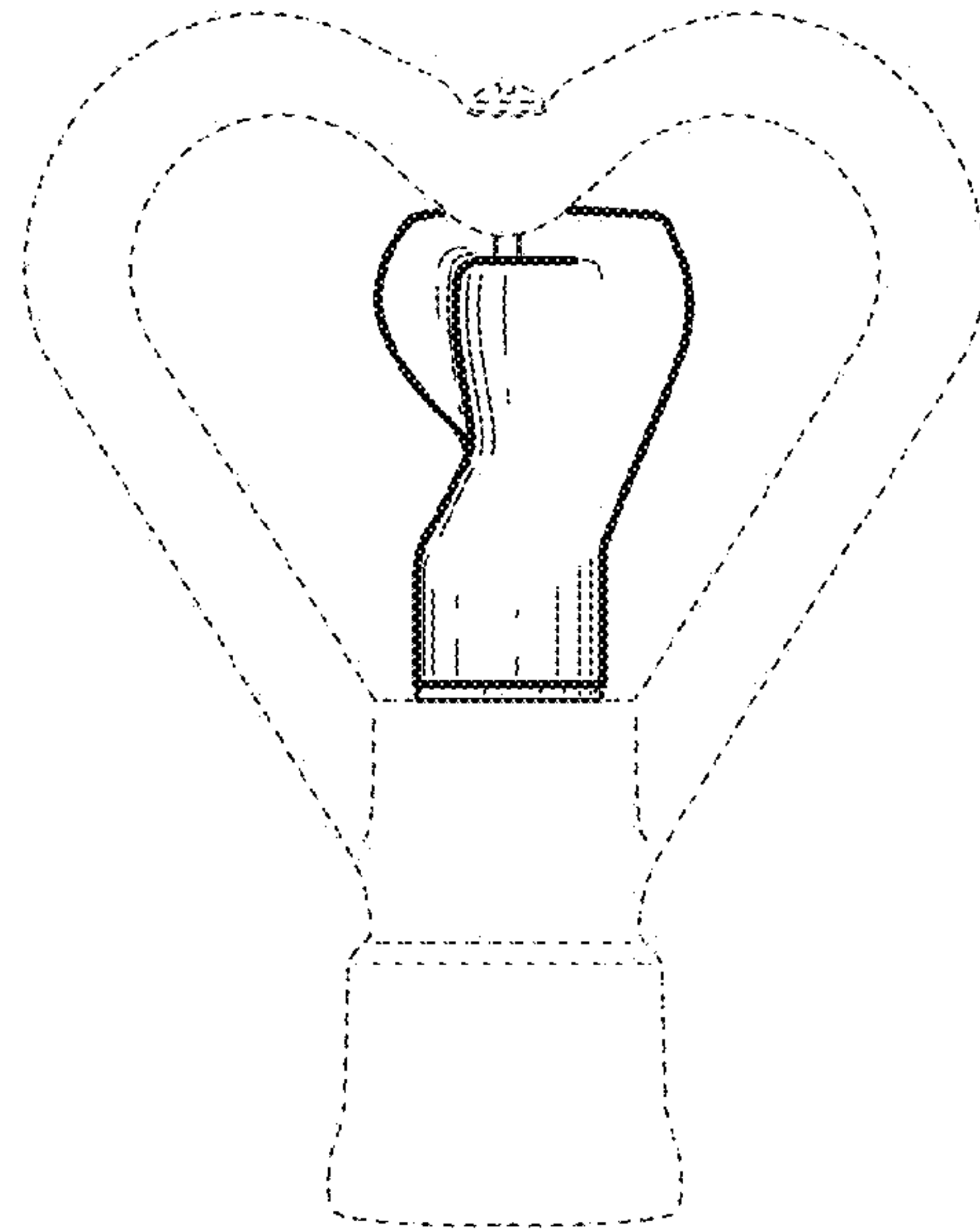


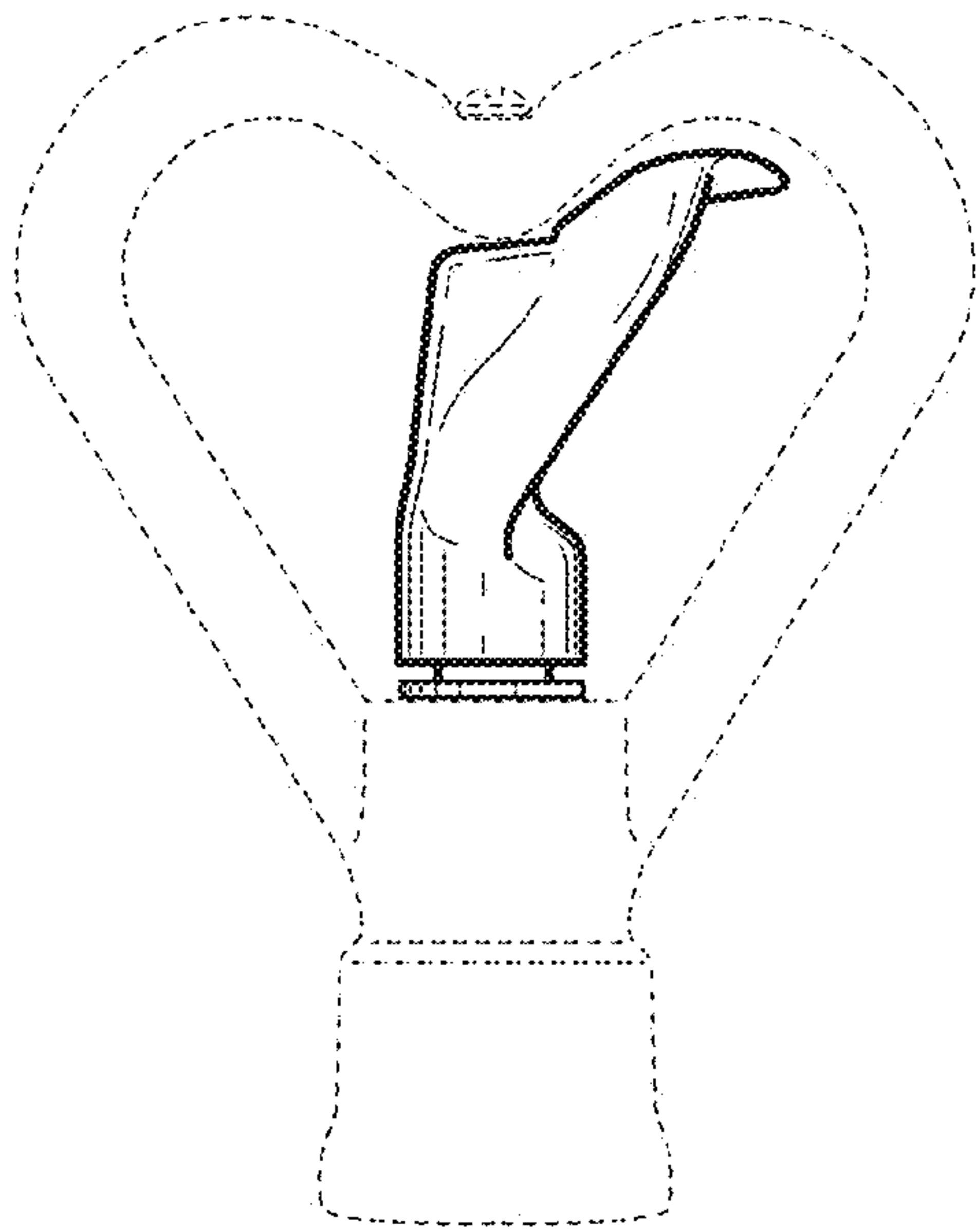
FIG. 3



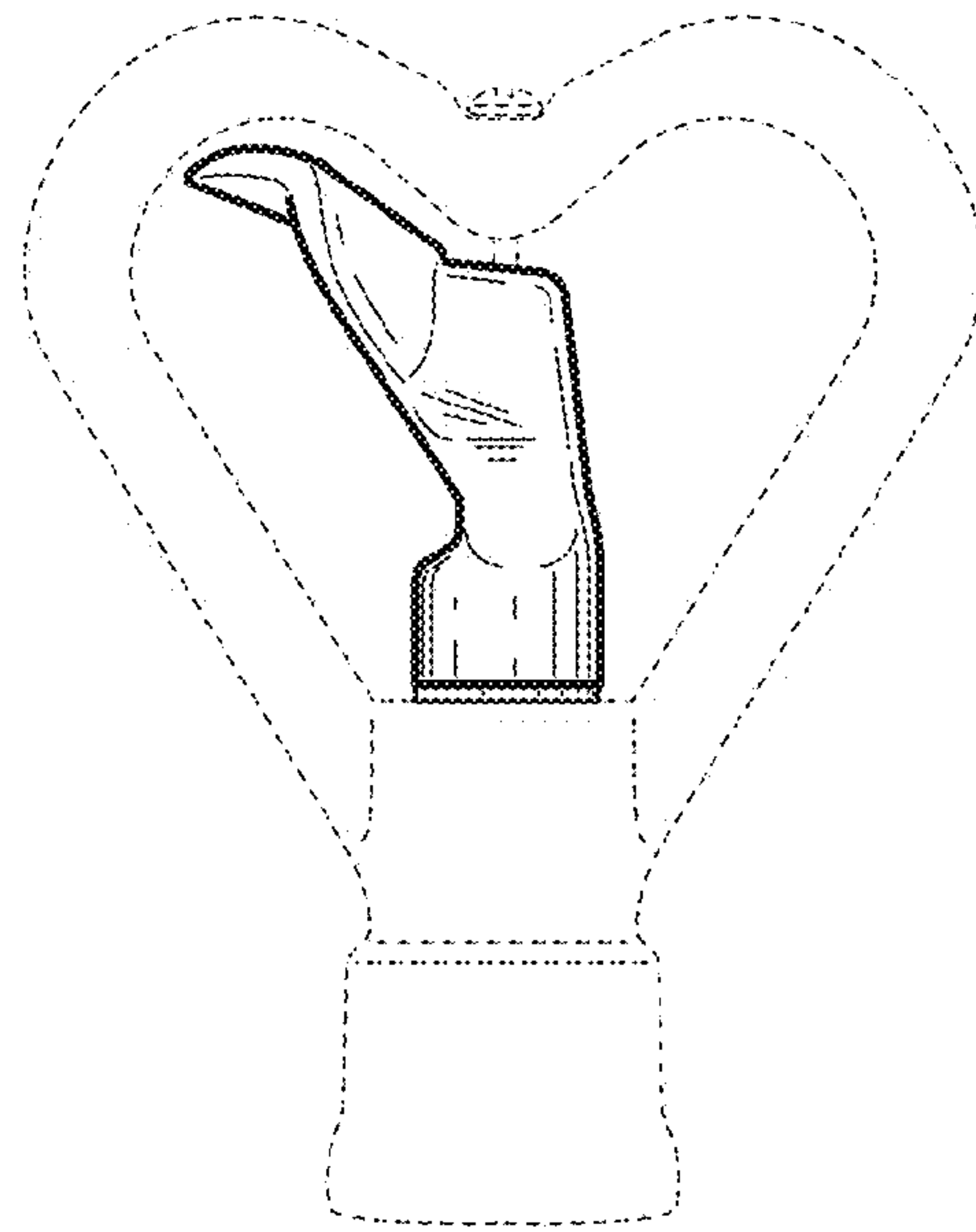
**FIG. 4**



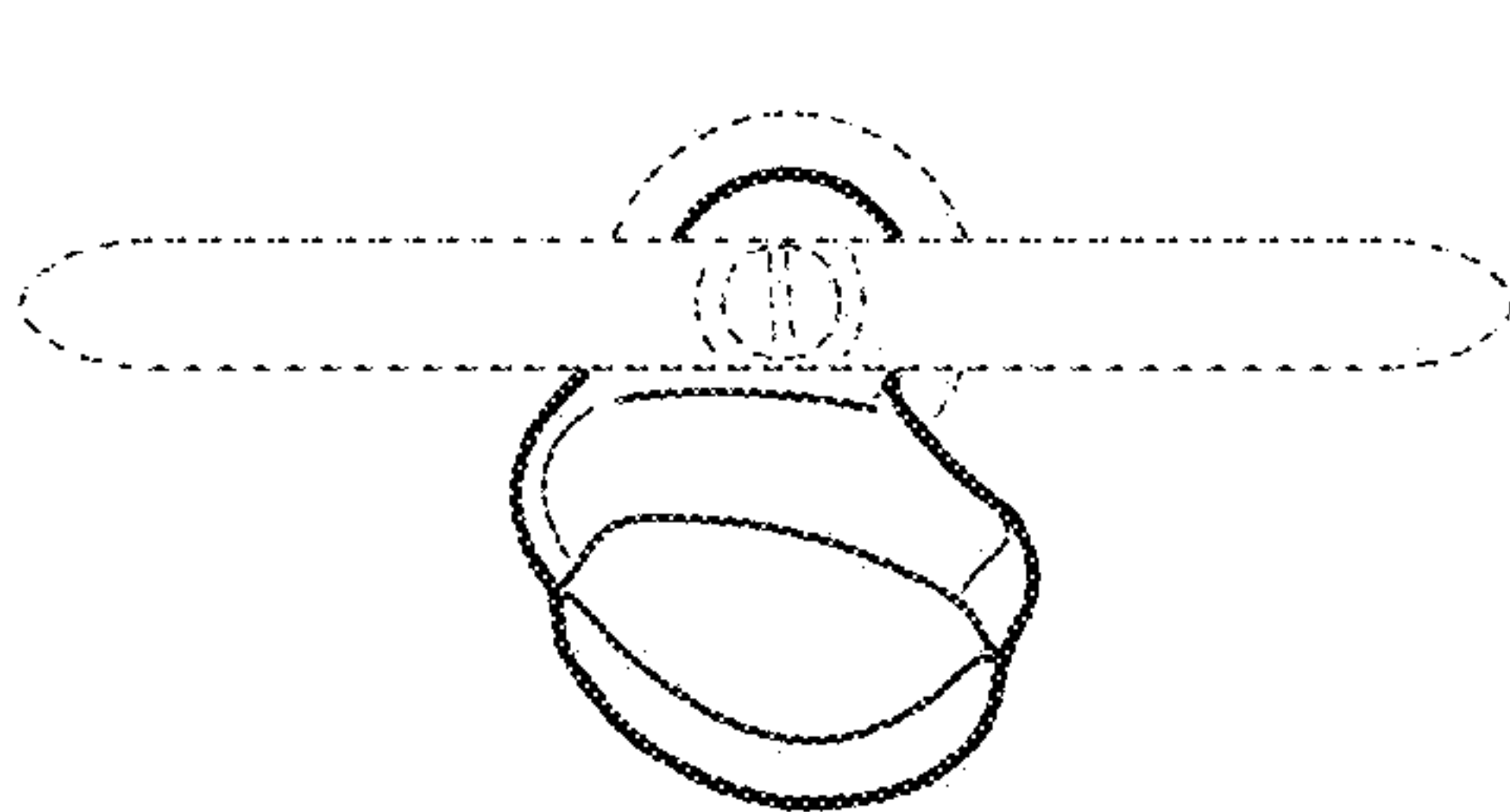
**FIG. 5**



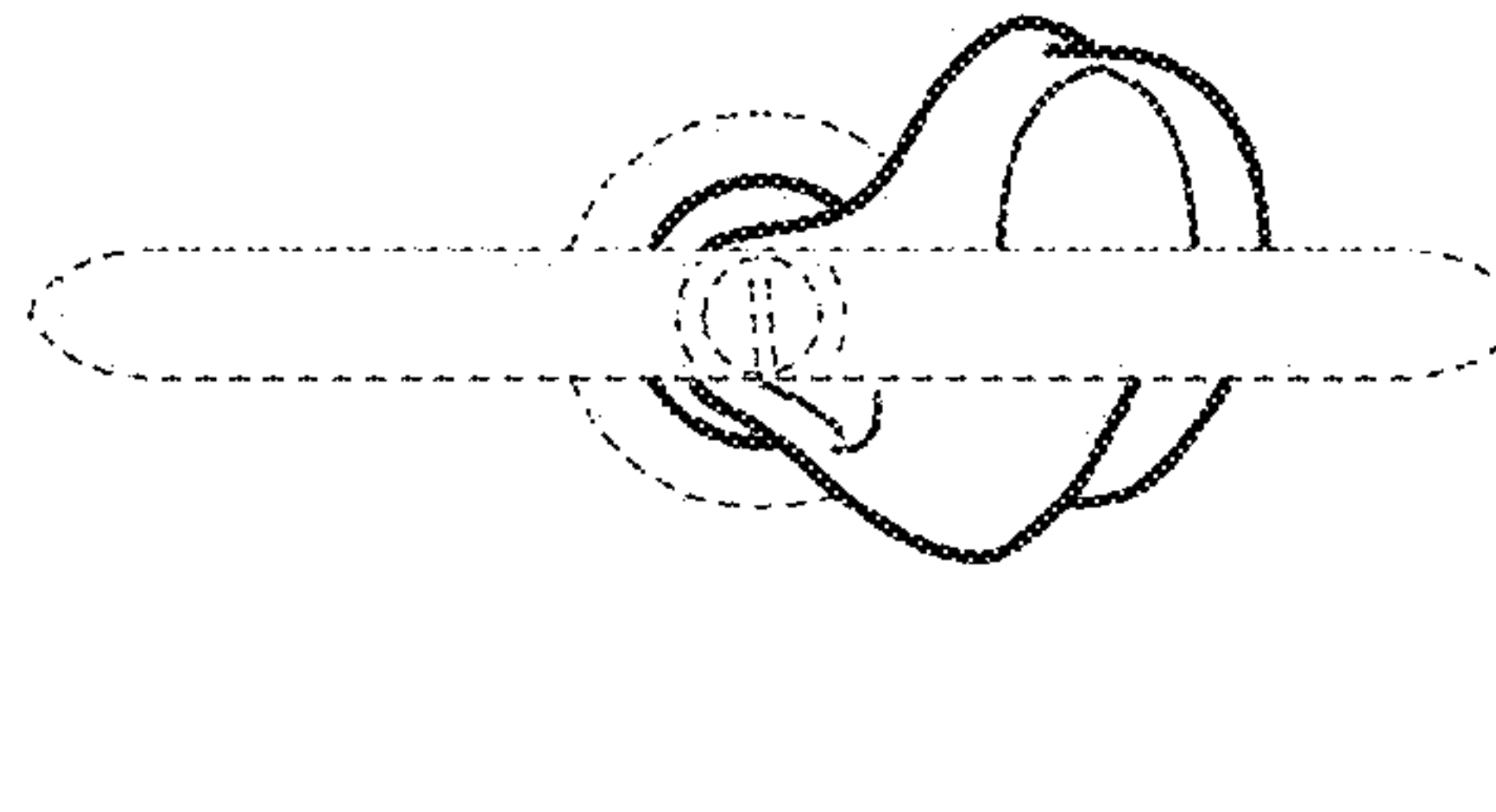
**FIG. 6**



**FIG. 7**



**FIG. 8**



**FIG. 9**