



US00D682391S

(12) **United States Design Patent**
Kah, Jr. et al.

(10) **Patent No.:** **US D682,391 S**
(45) **Date of Patent:** **** May 14, 2013**

(54) **ROTARY NOZZLE HEAD**

(75) Inventors: **Carl L. C. Kah, Jr.**, North Palm Beach, FL (US); **Carl L. C. Kah, III**, North Palm Beach, FL (US); **Richard Zhang**, Riviera Beach, FL (US); **Robert Brady**, Sarasota, FL (US)

(73) Assignee: **K Rain Manufacturing Corp.**, Riviera Beach, FL (US)

(**) Term: **14 Years**

(21) Appl. No.: **29/402,053**

(22) Filed: **Sep. 20, 2011**

(51) **LOC (9) Cl.** **23-01**

(52) **U.S. Cl.**
USPC **D23/214**

(58) **Field of Classification Search** D23/213–218;
239/276, 200–206, 542, DIG. 1, 237, 210
See application file for complete search history.

(56) **References Cited**

U.S. PATENT DOCUMENTS

D241,249 S * 8/1976 Elek D23/218
D264,491 S * 5/1982 Hunter D23/218

D293,815 S * 1/1988 Scott et al. D23/218
D388,502 S * 12/1997 Kah, III D23/214
6,145,758 A * 11/2000 Ogi et al. 239/457
6,814,304 B2 * 11/2004 Onofrio 239/201
6,942,164 B2 * 9/2005 Walker 239/204
D527,791 S * 9/2006 Onofrio et al. D23/214

* cited by examiner

Primary Examiner — Robin V Webster

(74) *Attorney, Agent, or Firm* — Ostrolenk Faber LLP

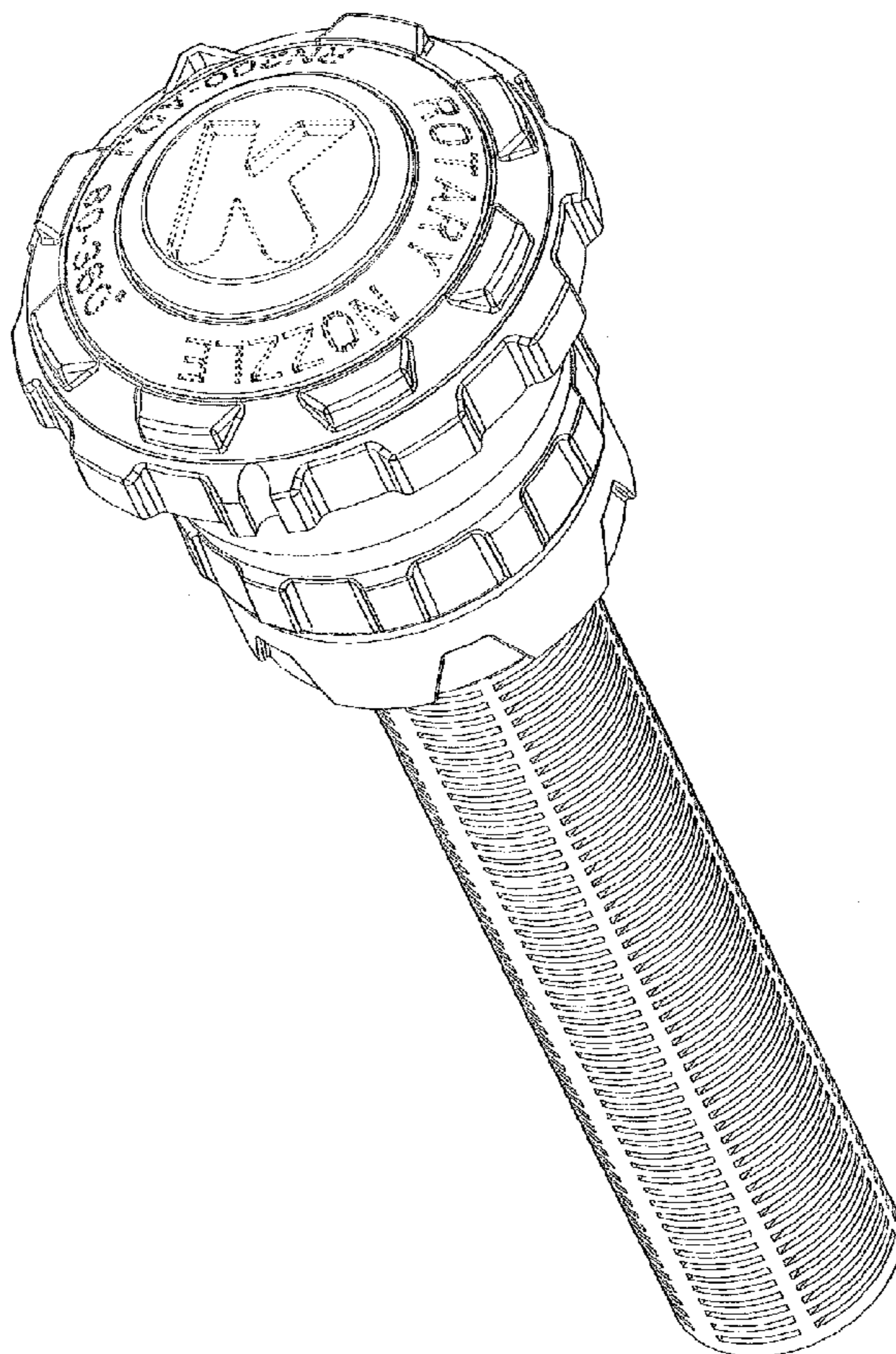
(57) **CLAIM**

The ornamental design for a rotary nozzle head, as shown and described.

DESCRIPTION

FIG. 1 is a perspective view of a rotary nozzle head showing our new design;
FIG. 2 is a top plan view thereof;
FIG. 3 is a bottom plan view thereof;
FIG. 4 is a front view thereof;
FIG. 5 is a rear view thereof;
FIG. 6 is a right side view thereof; and,
FIG. 7 is a left side view thereof.
The broken lines show environmental matter that forms no part of the claimed design.

1 Claim, 7 Drawing Sheets



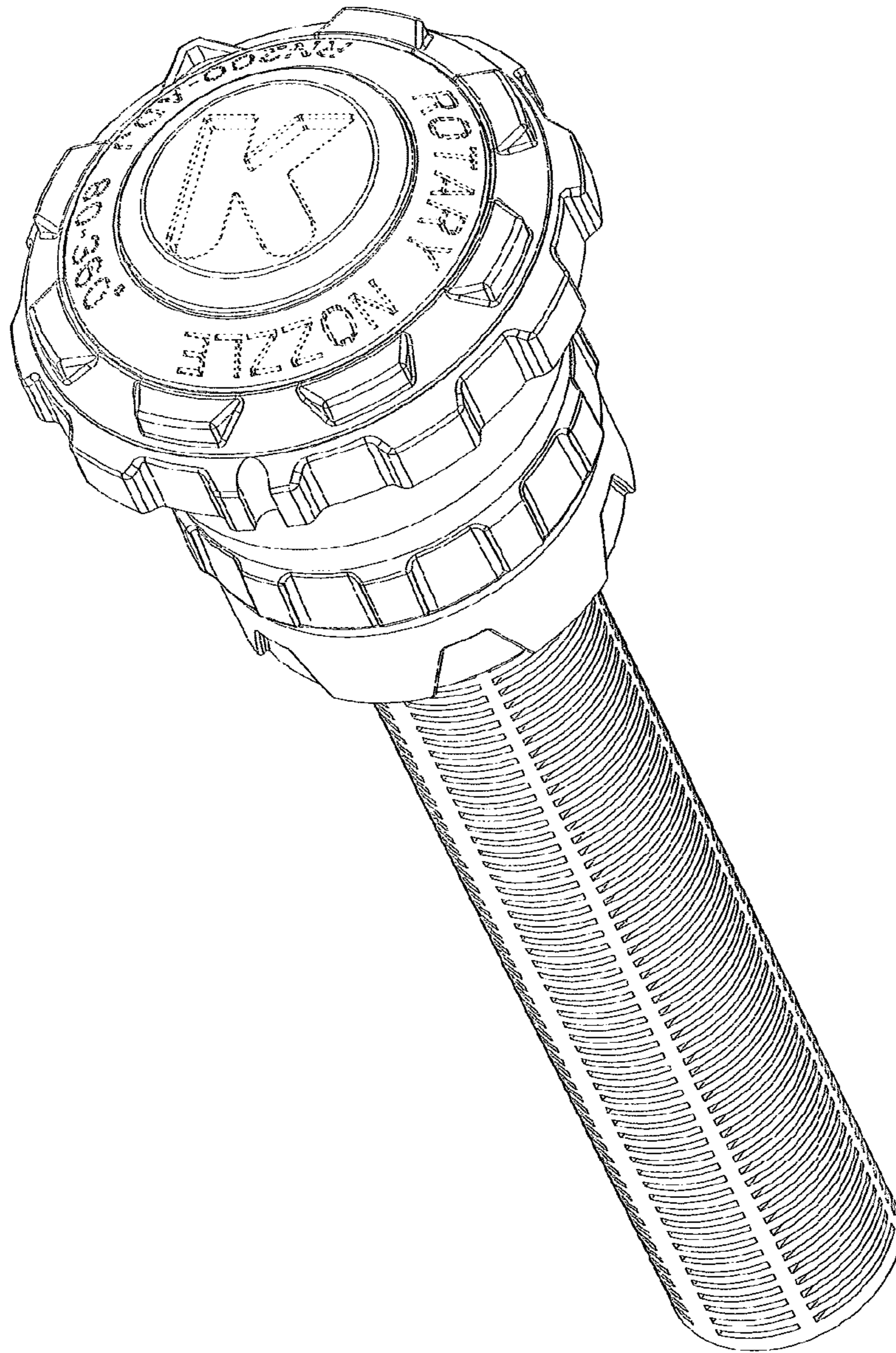


Fig. 1

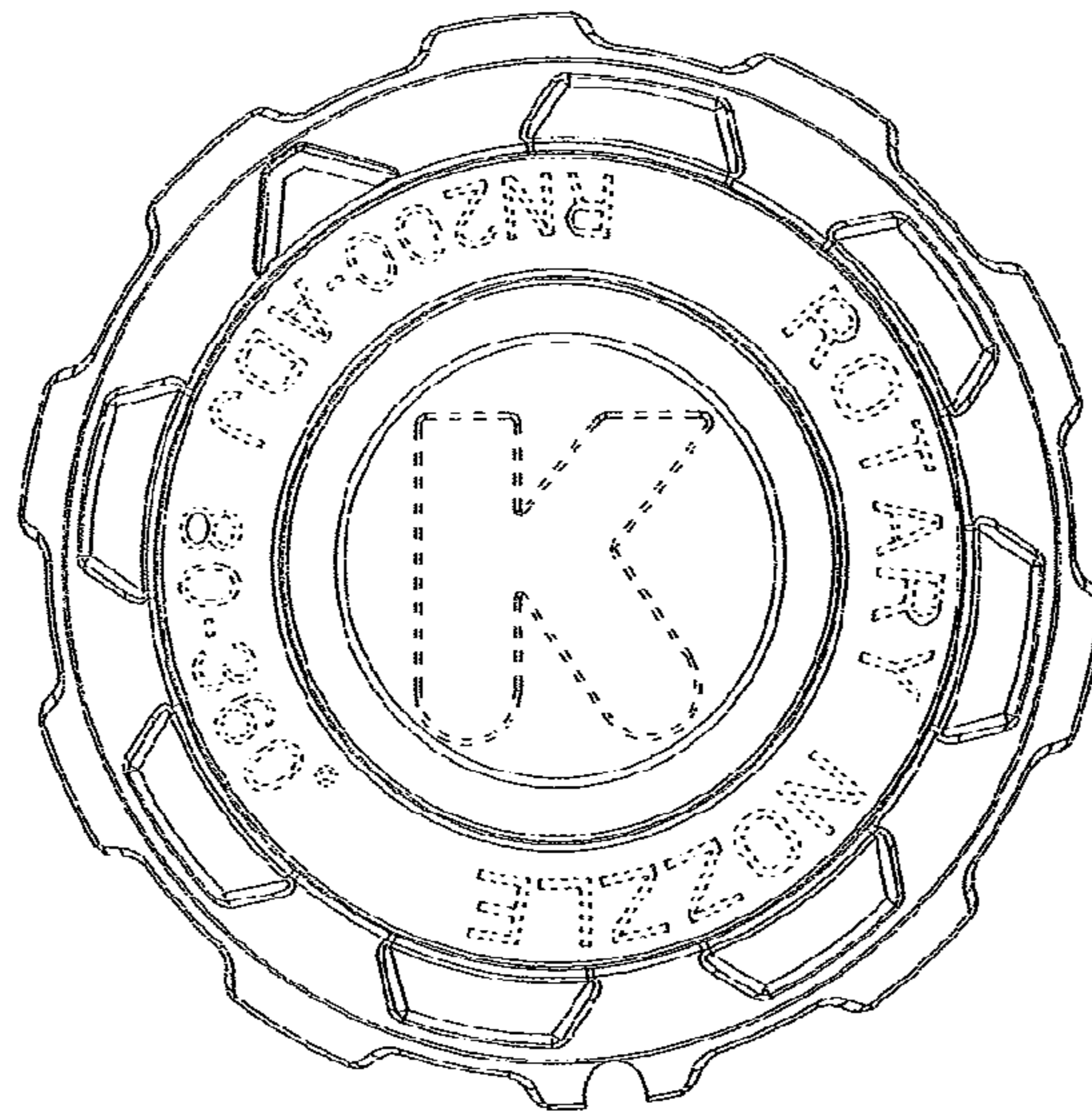


Fig. 2

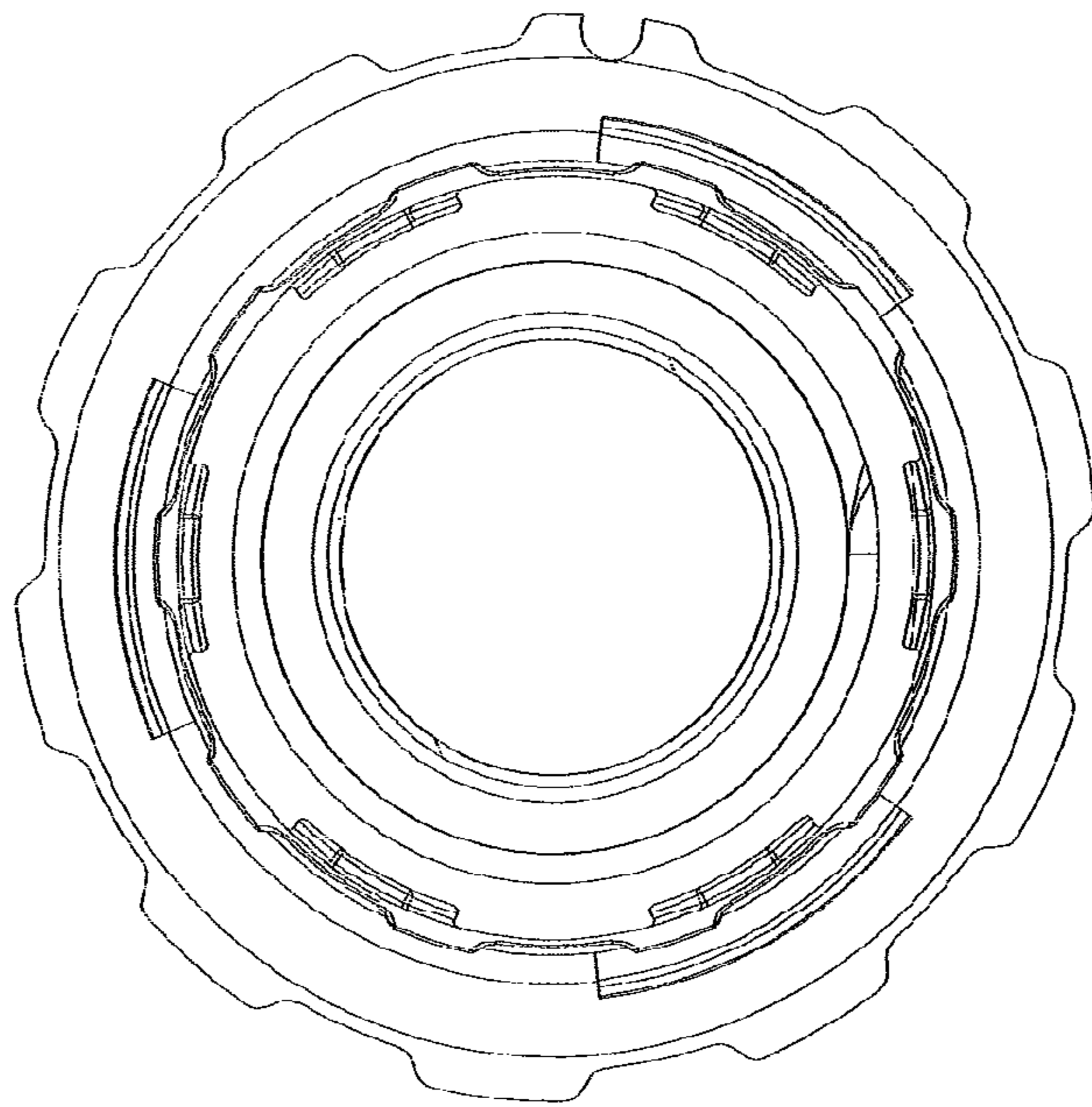


Fig. 3

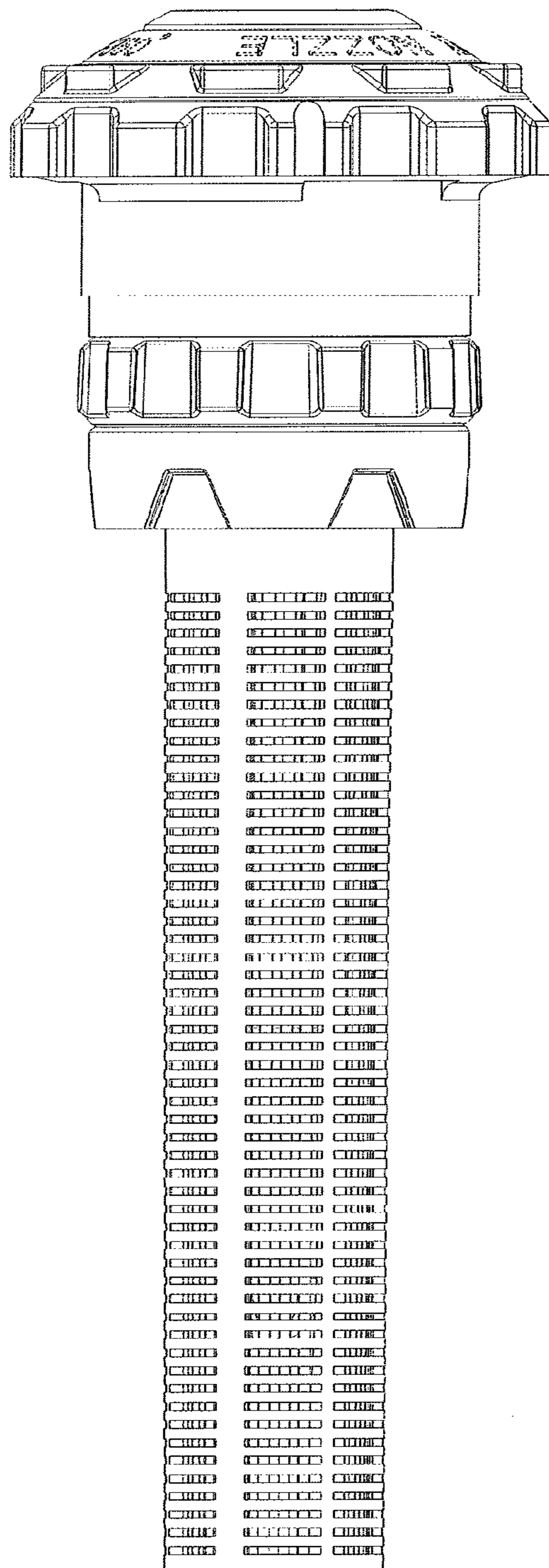


Fig. 4

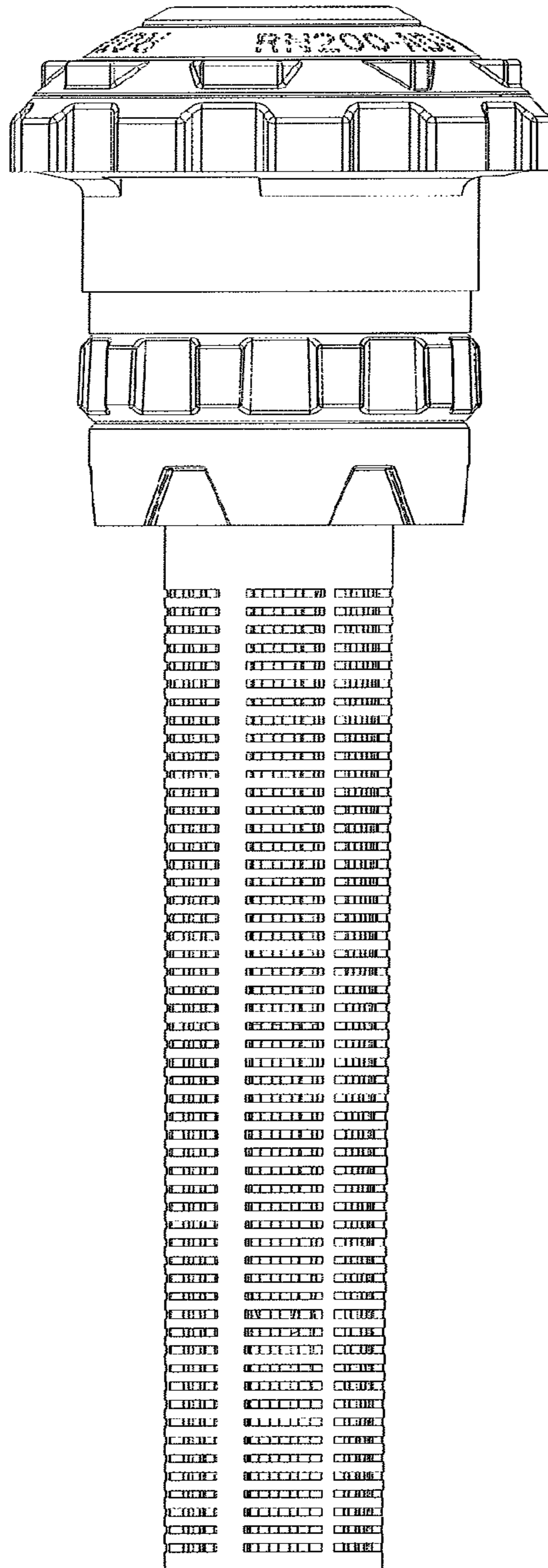


Fig. 5

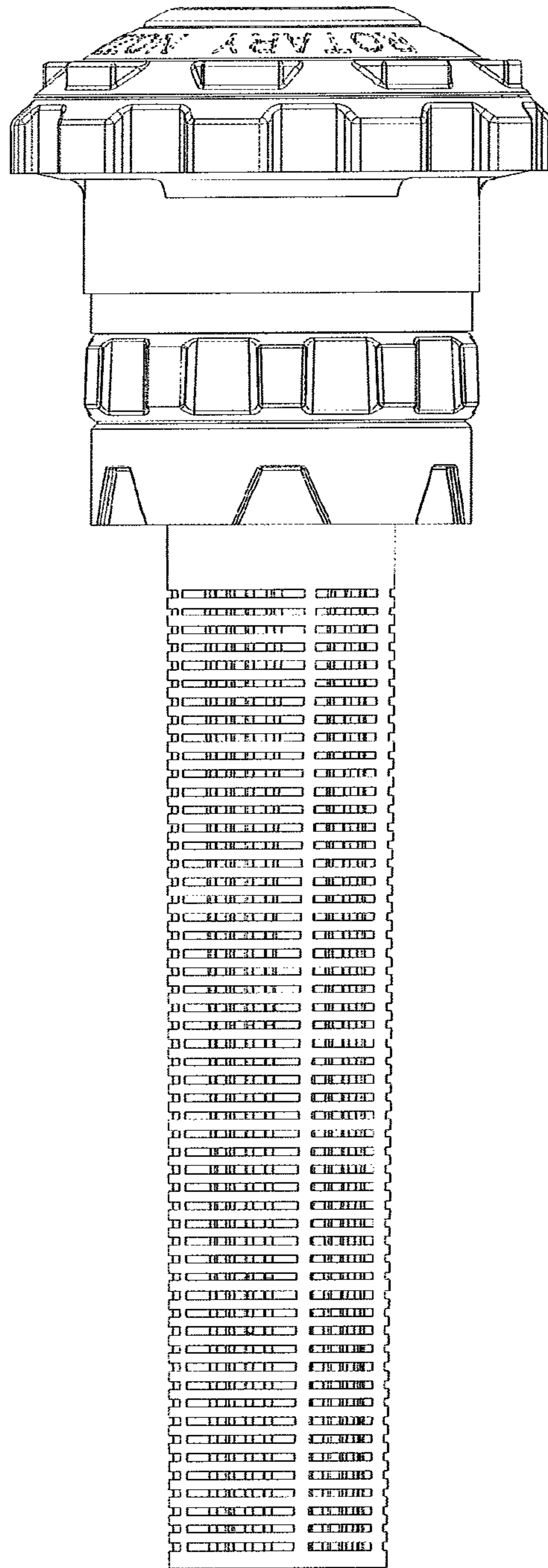


Fig. 6

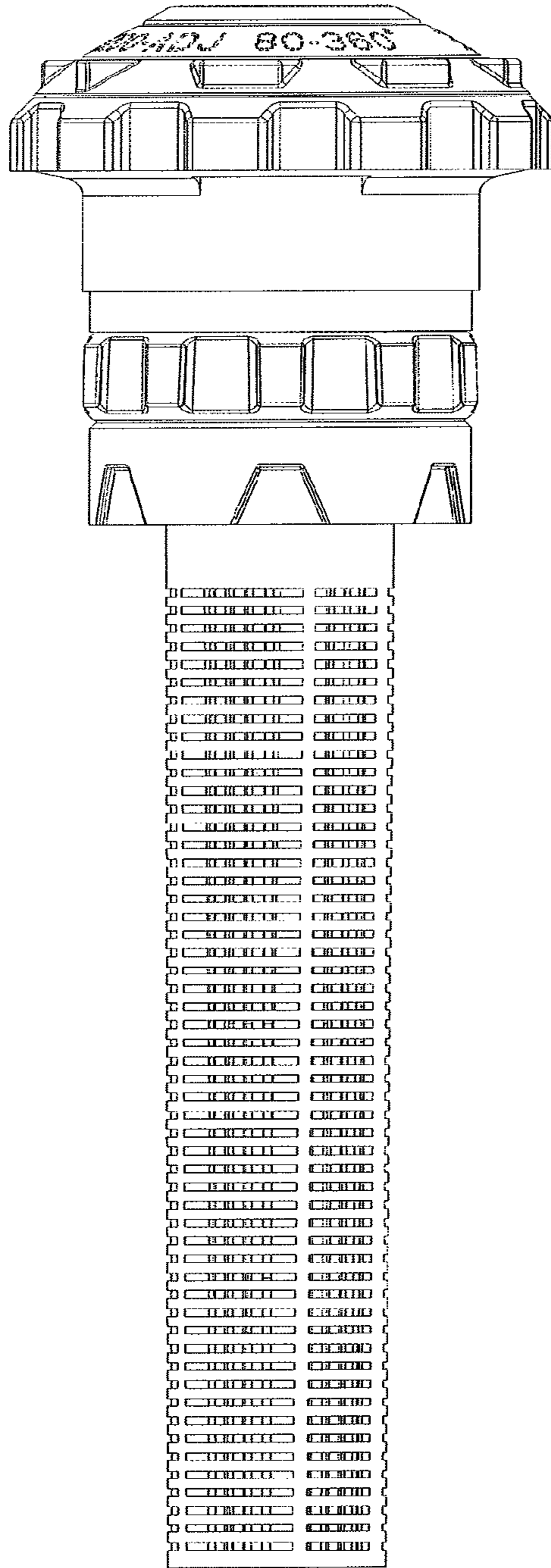


Fig. 7