



US00D682387S

(12) **United States Design Patent**
Tseng

(10) **Patent No.:** **US D682,387 S**

(45) **Date of Patent:** **** May 14, 2013**

(54) **WATER PURIFIER**

(71) Applicant: **Chung-Yen Tseng**, Taichung (TW)

(72) Inventor: **Chung-Yen Tseng**, Taichung (TW)

(73) Assignee: **Rite2Water Co., Ltd.**, Taichung (TW)

(**) Term: **14 Years**

(21) Appl. No.: **29/433,662**

(22) Filed: **Oct. 2, 2012**

(51) **LOC (9) Cl.** **23-01**

(52) **U.S. Cl.**

USPC **D23/207**

(58) **Field of Classification Search** D23/207,

D23/209; 210/435, 241

See application file for complete search history.

(56) **References Cited**

U.S. PATENT DOCUMENTS

D331,097 S * 11/1992 Sieren D23/207

D417,254 S * 11/1999 Daws et al. D23/209

D470,912 S * 2/2003 Daws et al. D23/209

D477,856 S * 7/2003 Riddell D23/207

D482,755 S * 11/2003 Rhinehart et al. D23/207

D486,882 S * 2/2004 Riddell D23/207

D510,122 S * 9/2005 Gagnet et al. D23/207

D530,388 S * 10/2006 Fletcher D23/207

D575,844 S * 8/2008 Park et al. D23/207

* cited by examiner

Primary Examiner — Robin V Webster

(57) **CLAIM**

The ornamental design for a water purifier, as shown.

DESCRIPTION

FIG. 1 is a perspective view of a water purifier showing my new design;

FIG. 2 is a front elevational view thereof;

FIG. 3 is a rear elevational view thereof;

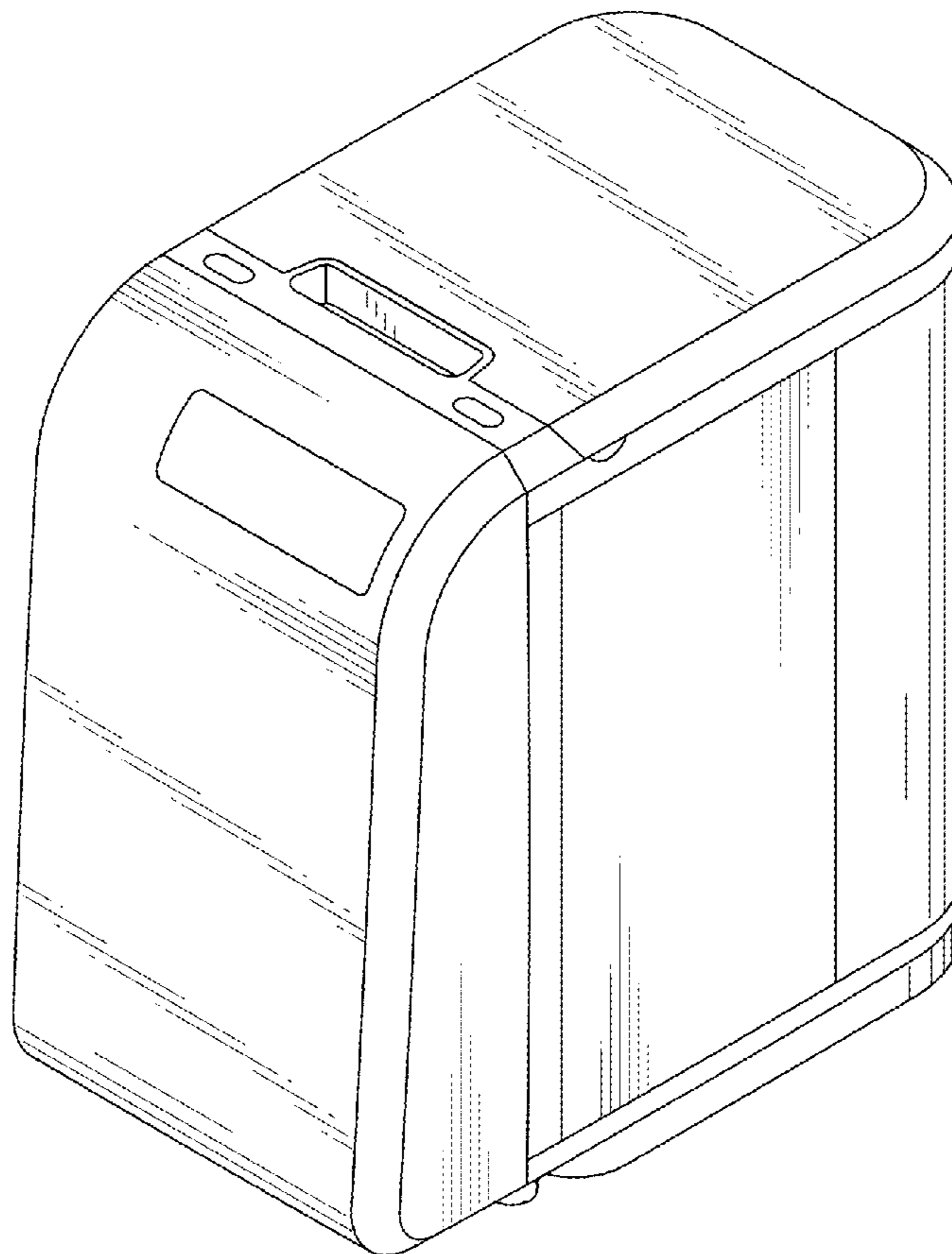
FIG. 4 is a left side view thereof;

FIG. 5 is a right side view thereof;

FIG. 6 is a top plain view thereof; and,

FIG. 7 is a bottom plain view thereof.

1 Claim, 7 Drawing Sheets



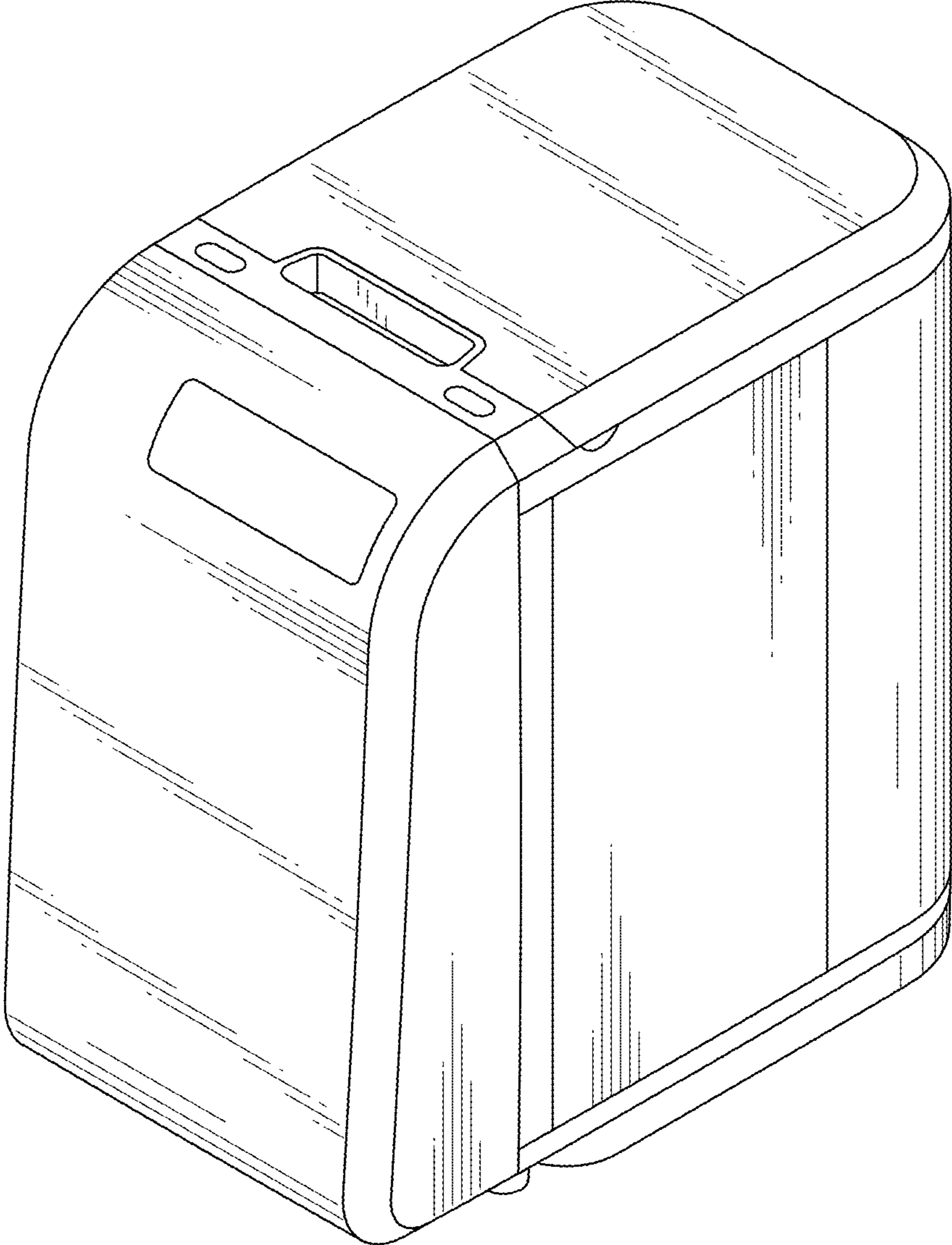


FIG. 1

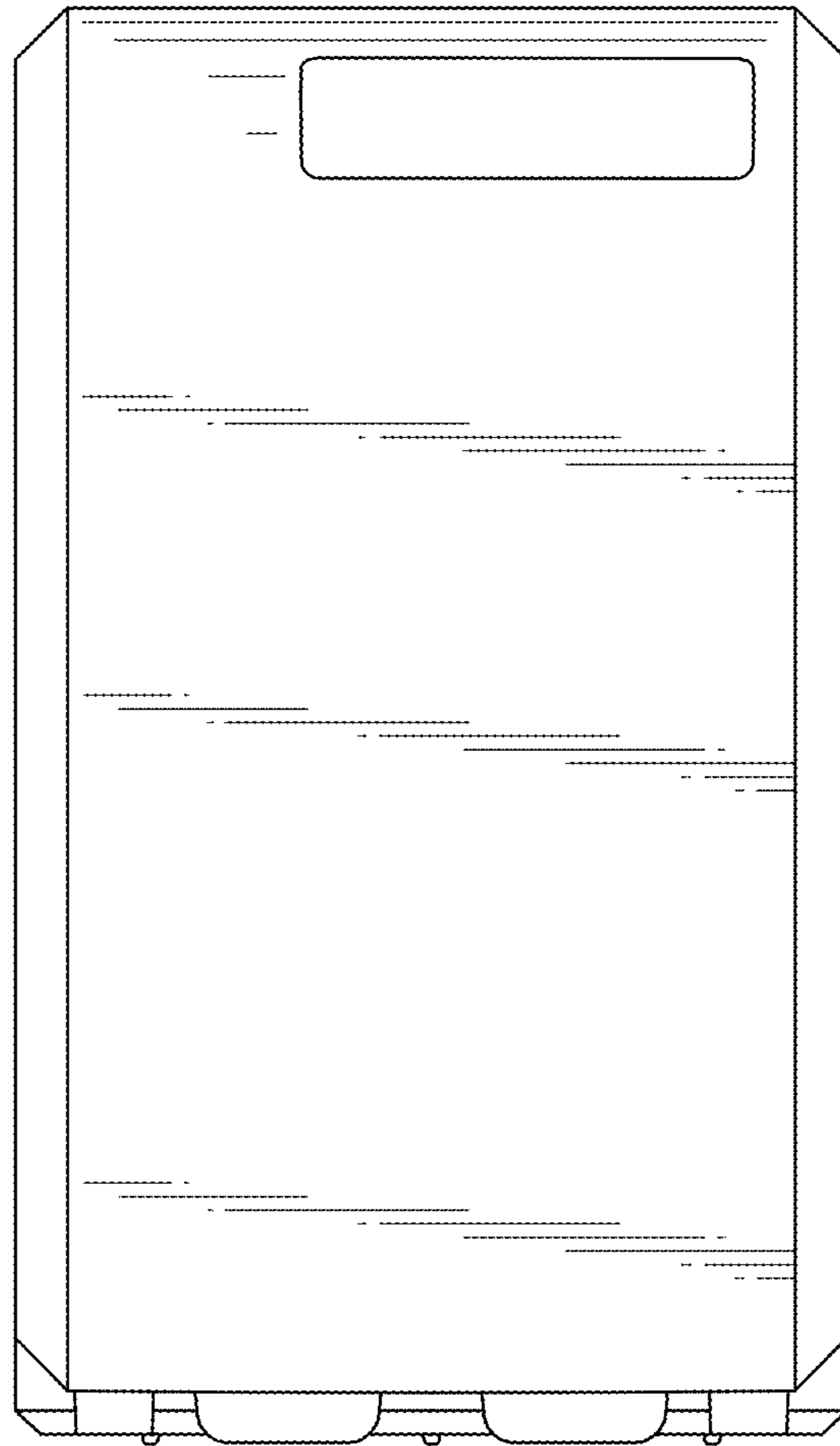


FIG. 2



FIG. 3

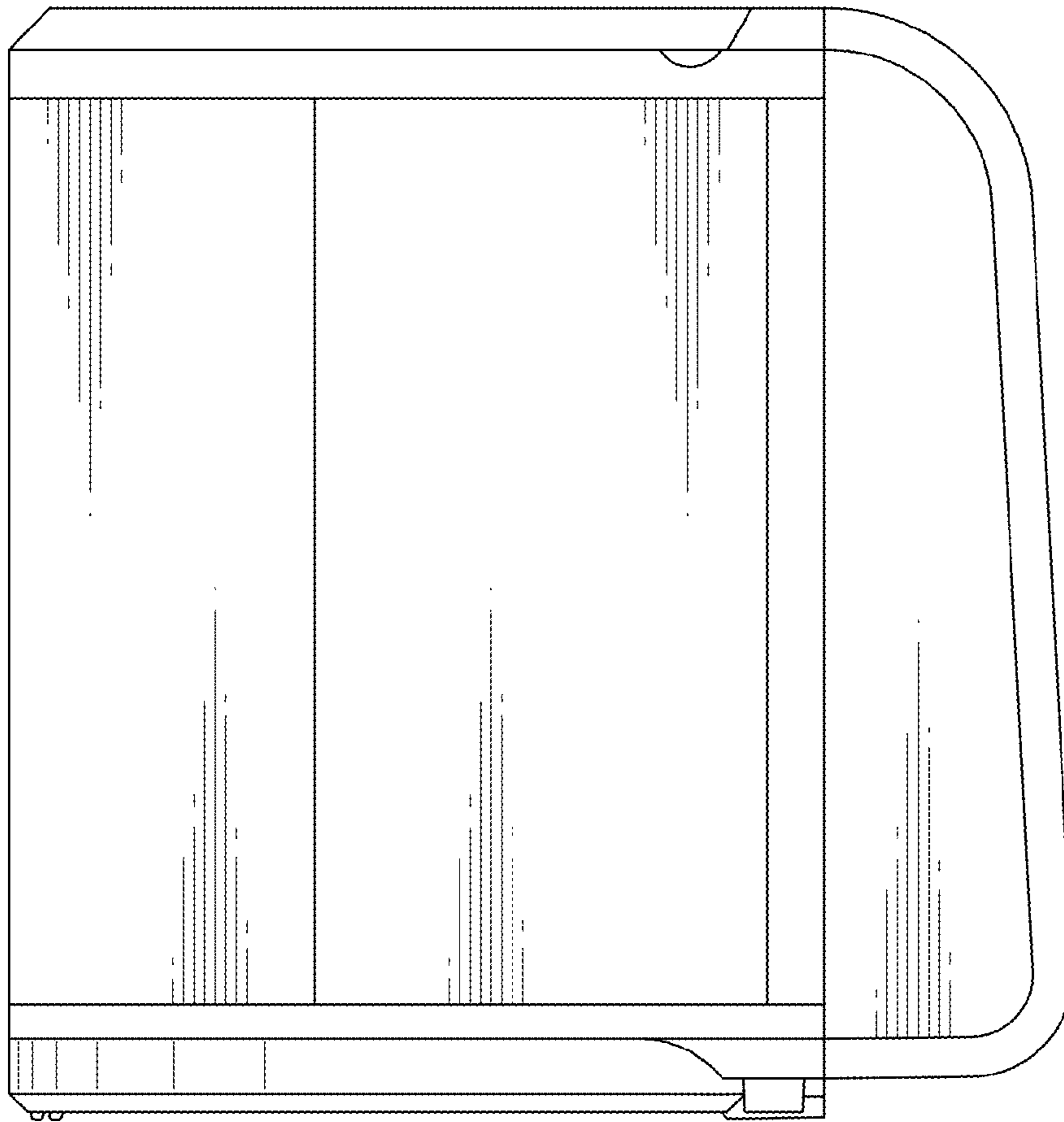


FIG. 4

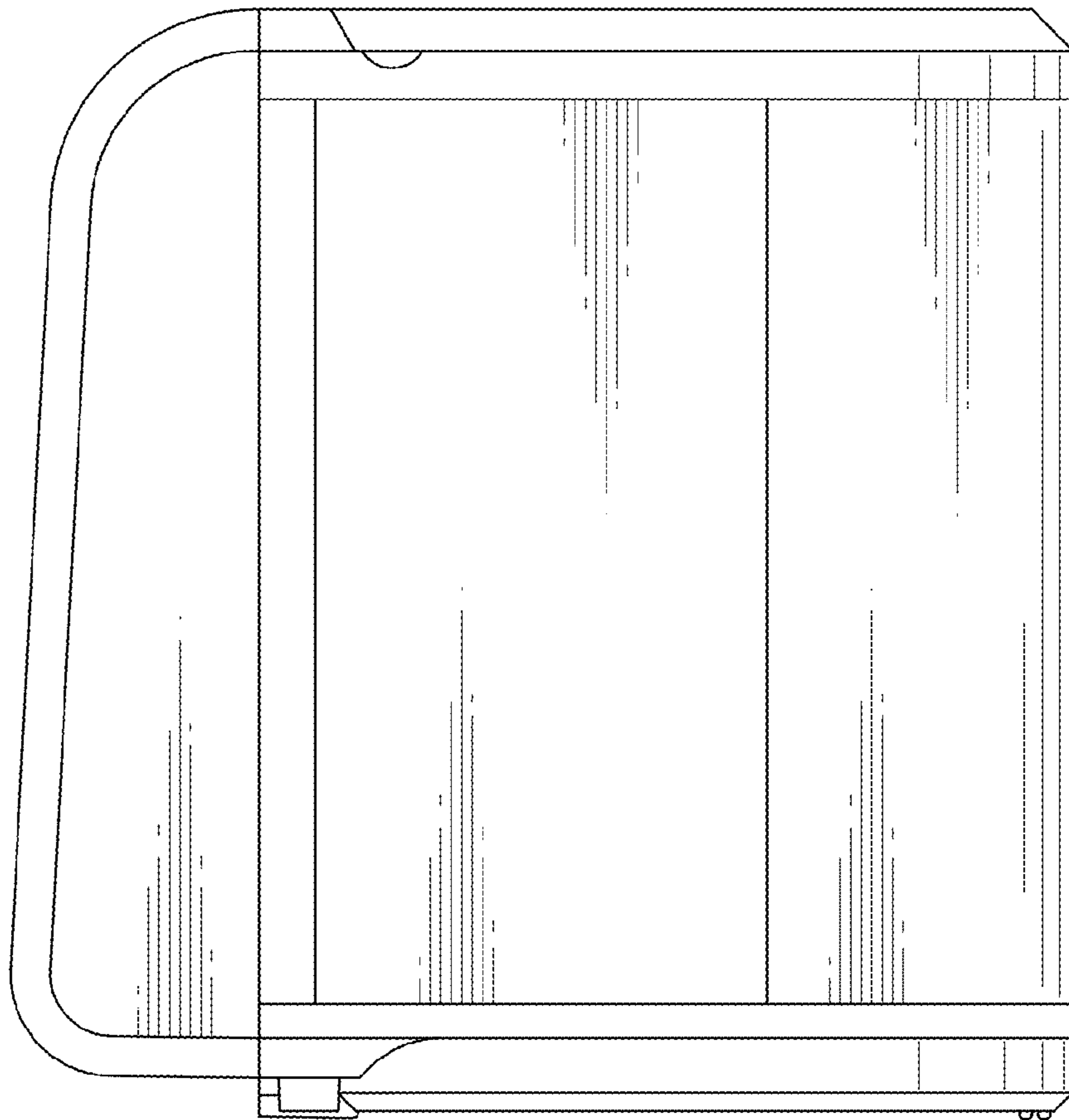


FIG. 5

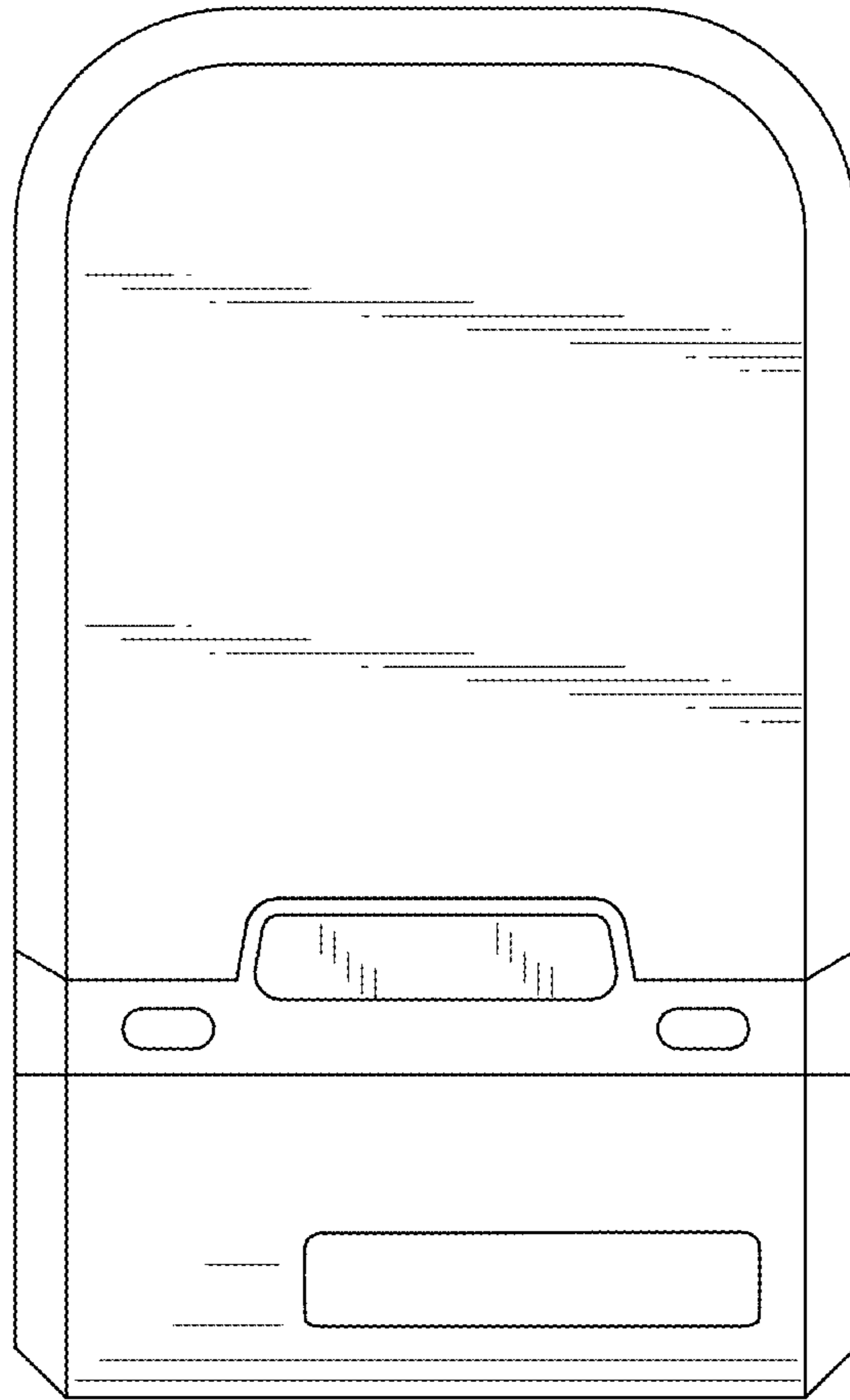


FIG. 6

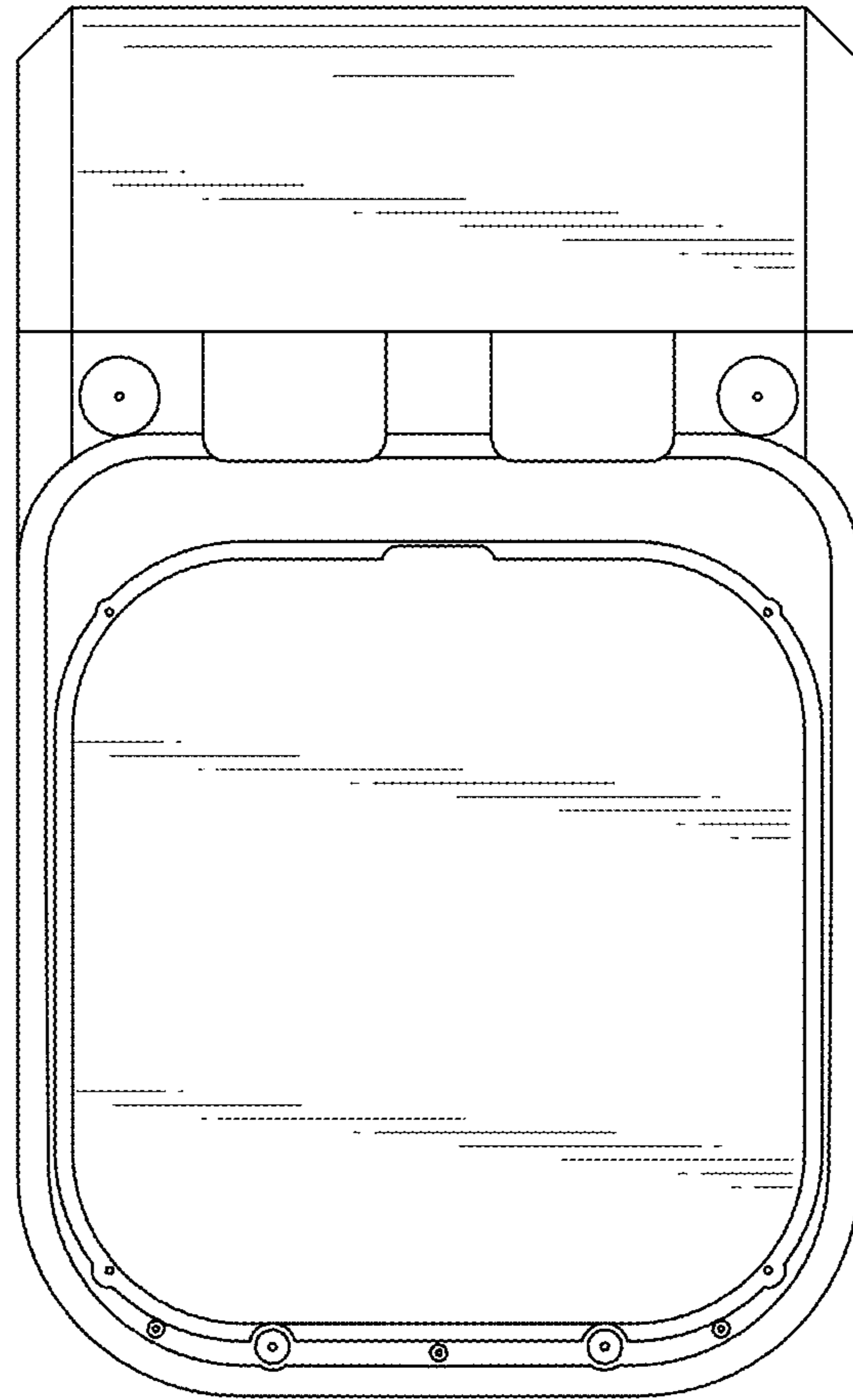


FIG. 7