



US00D682384S

(12) **United States Design Patent**  
**Jaureguizar**

(10) **Patent No.:** **US D682,384 S**

(45) **Date of Patent:** **\*\* May 14, 2013**

(54) **FIREARM COMPENSATOR**

(76) Inventor: **Jose Luis Jaureguizar**, Dallas, GA (US)

(\*\*) Term: **14 Years**

(21) Appl. No.: **29/413,004**

(22) Filed: **Feb. 9, 2012**

(51) **LOC (9) Cl.** ..... **22-01**

(52) **U.S. Cl.**  
USPC ..... **D22/108**

(58) **Field of Classification Search** ..... D22/103,  
D22/108; D21/572-573; 42/1.06, 76.02-761;  
89/14.05, 14.1-14.8, 177; 181/223  
See application file for complete search history.

(56) **References Cited**

U.S. PATENT DOCUMENTS

4,813,333	A *	3/1989	Garris et al.	89/14.3
5,305,677	A *	4/1994	Kleinguenther et al.	89/14.2
RE35,381	E *	11/1996	Rose	89/14.3
5,631,438	A *	5/1997	Martel	89/14.3
D384,389	S *	9/1997	Cyktich	D22/108
6,425,310	B1 *	7/2002	Champion	89/14.3
6,516,698	B1 *	2/2003	Poff, Jr.	89/14.6
6,820,530	B2 *	11/2004	Vais	89/14.3
8,156,855	B2 *	4/2012	Anderson	89/14.05
8,186,261	B2 *	5/2012	McNeill et al.	89/14.3

2010/0294118	A1 *	11/2010	Hortobagyi	89/14.2
2011/0271575	A1 *	11/2011	Overbeek Bloem et al.	42/90
2012/0228052	A1 *	9/2012	Findlay	181/223

\* cited by examiner

*Primary Examiner* — Michael A Pratt

(74) *Attorney, Agent, or Firm* — Law Office of Arthur M. Antonelli, PLLC

(57) **CLAIM**

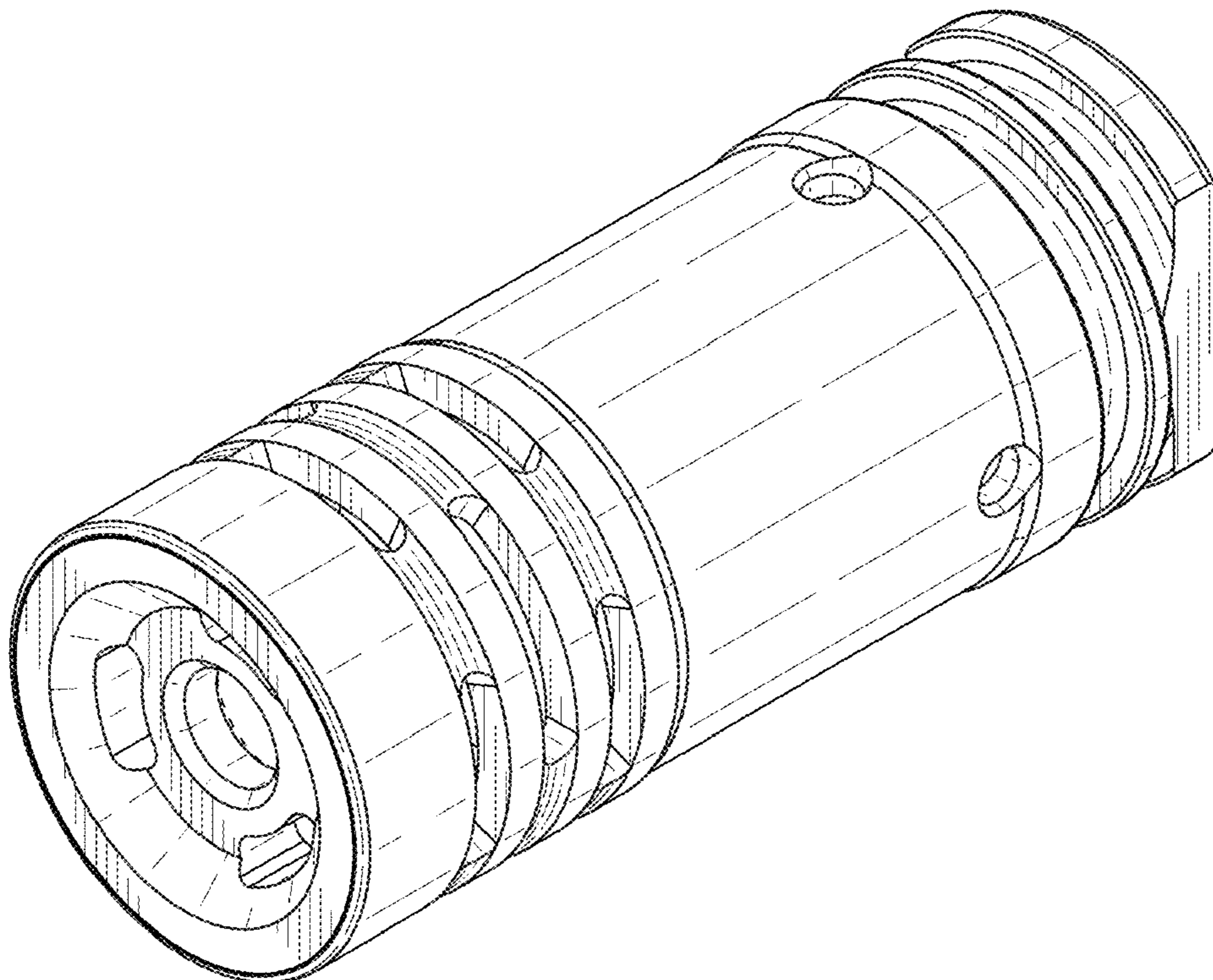
The ornamental design for a firearm compensator, as shown and described.

**DESCRIPTION**

FIG. 1 is a top front perspective view of a firearm compensator in accordance with my new design;  
FIG. 2 is a bottom rear perspective view thereof;  
FIG. 3 is a front view thereof;  
FIG. 4 is a right side view thereof;  
FIG. 5 is a left side view thereof;  
FIG. 6 is a top view thereof;  
FIG. 7 is a bottom view thereof; and,  
FIG. 8 is a rear view thereof.

The broken lines immediately adjacent the shaded areas in FIGS. 1 and 2 represent the bounds of the claimed design while all other broken lines shown in FIGS. 3 and 8 are directed to environment and are for illustrative purposes only, the broken lines form no part of the claimed design.

**1 Claim, 3 Drawing Sheets**



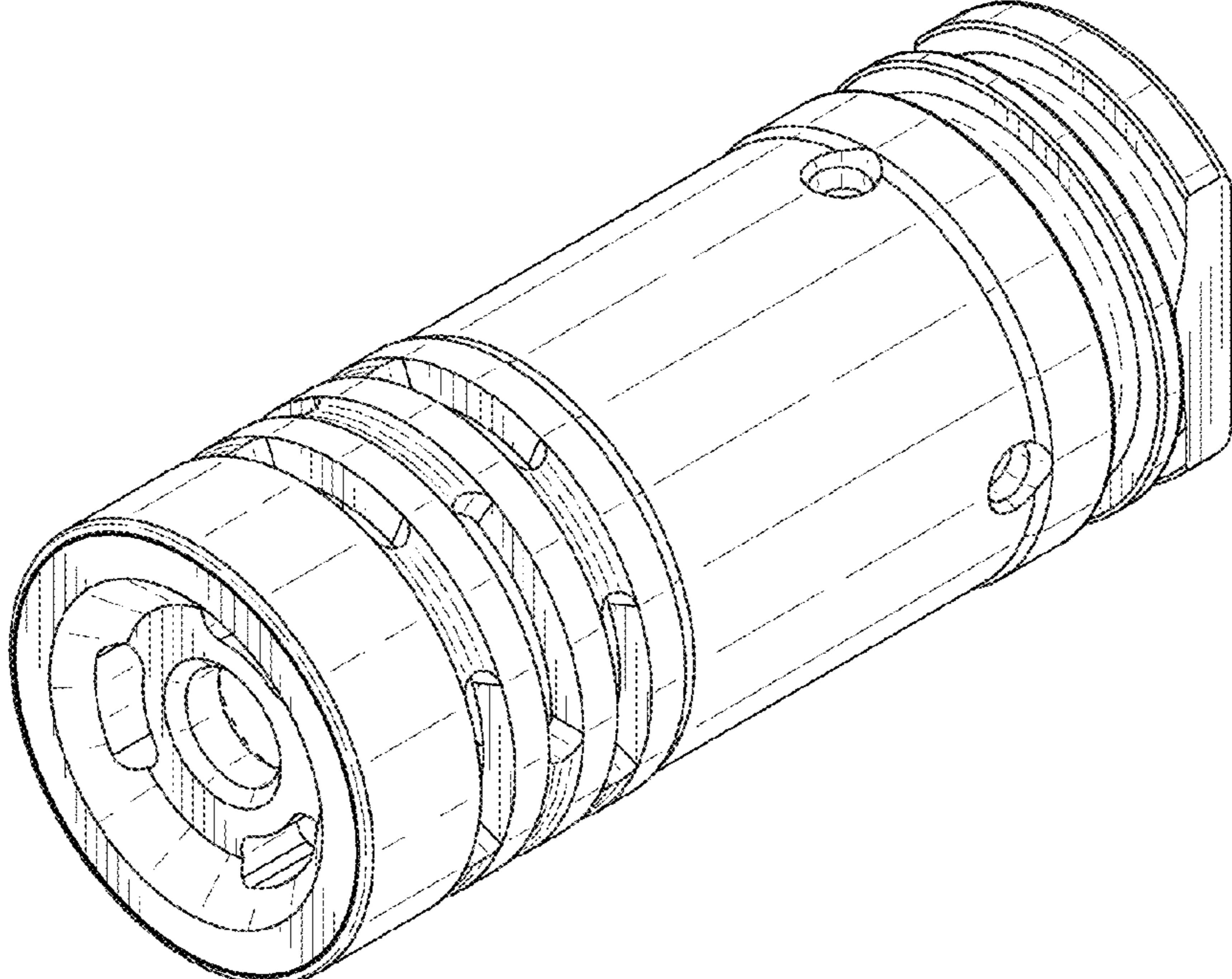


FIG. 1

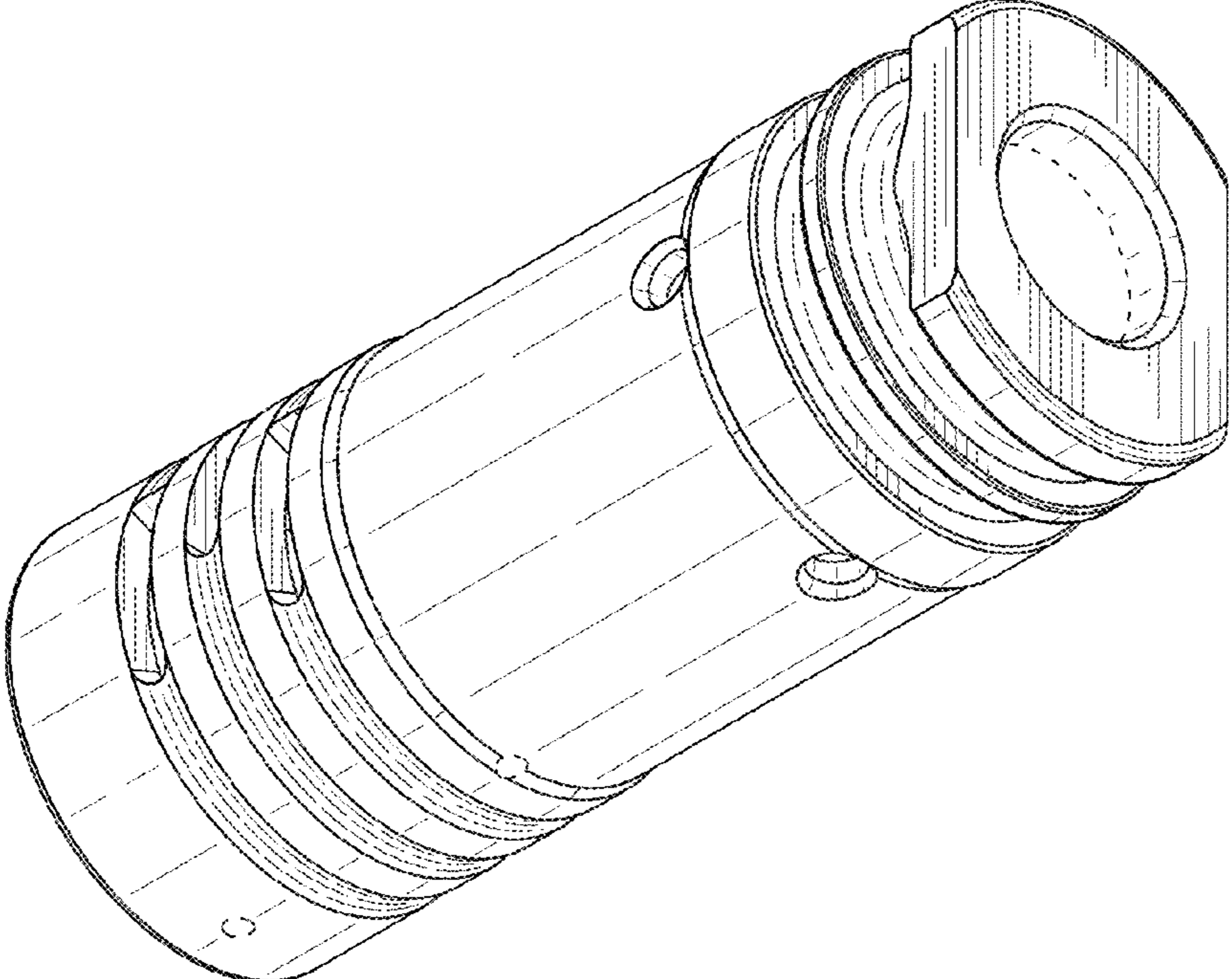


FIG. 2



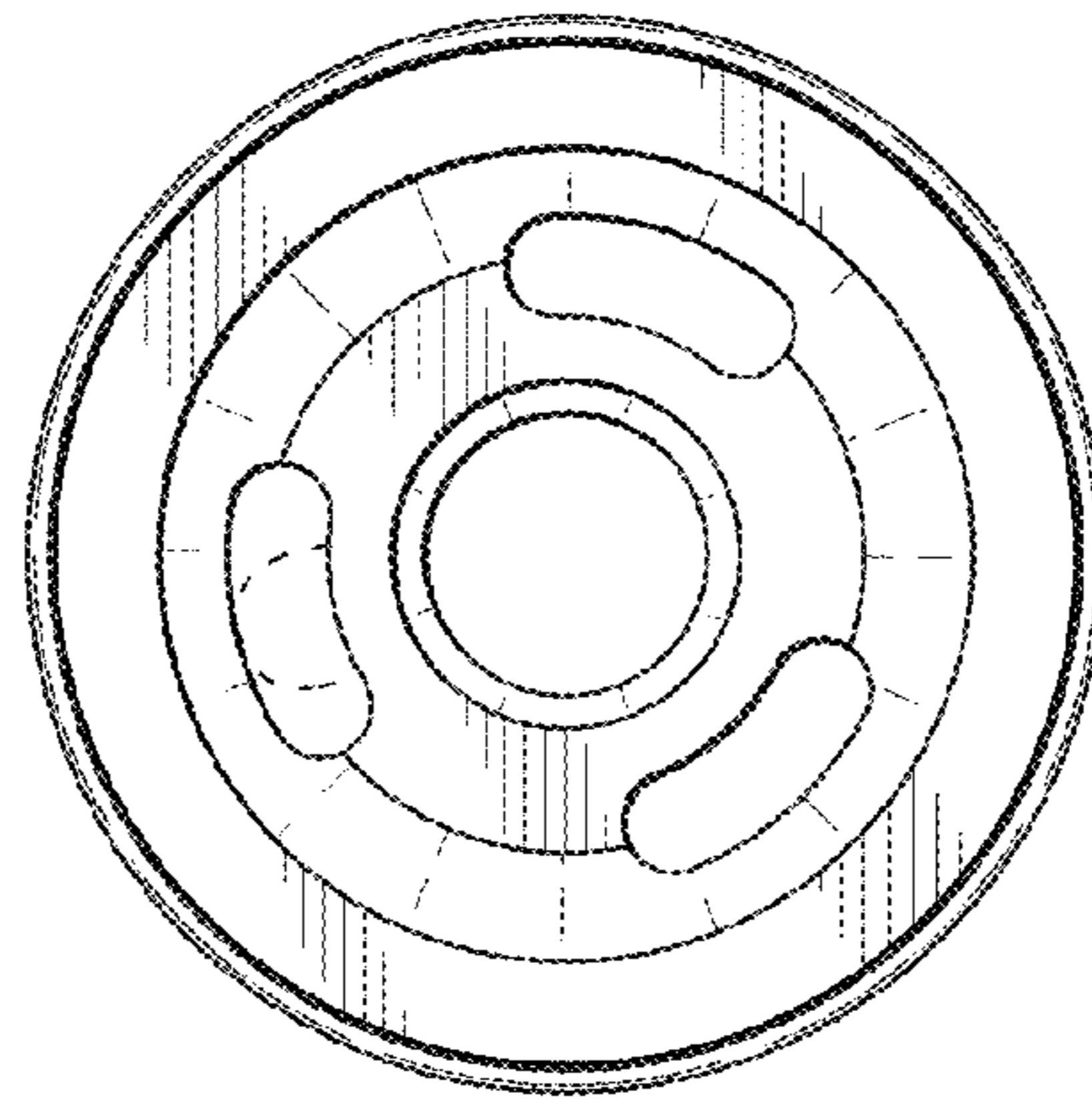


FIG. 3

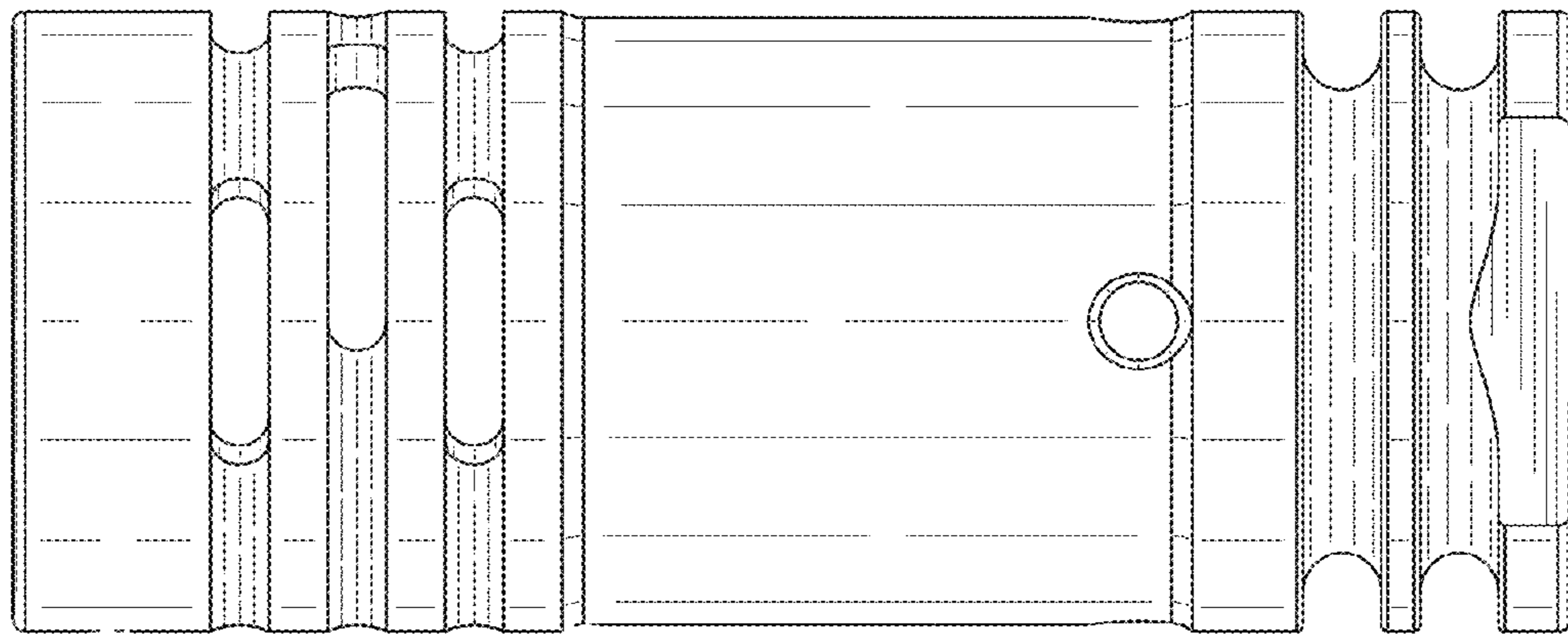


FIG. 4

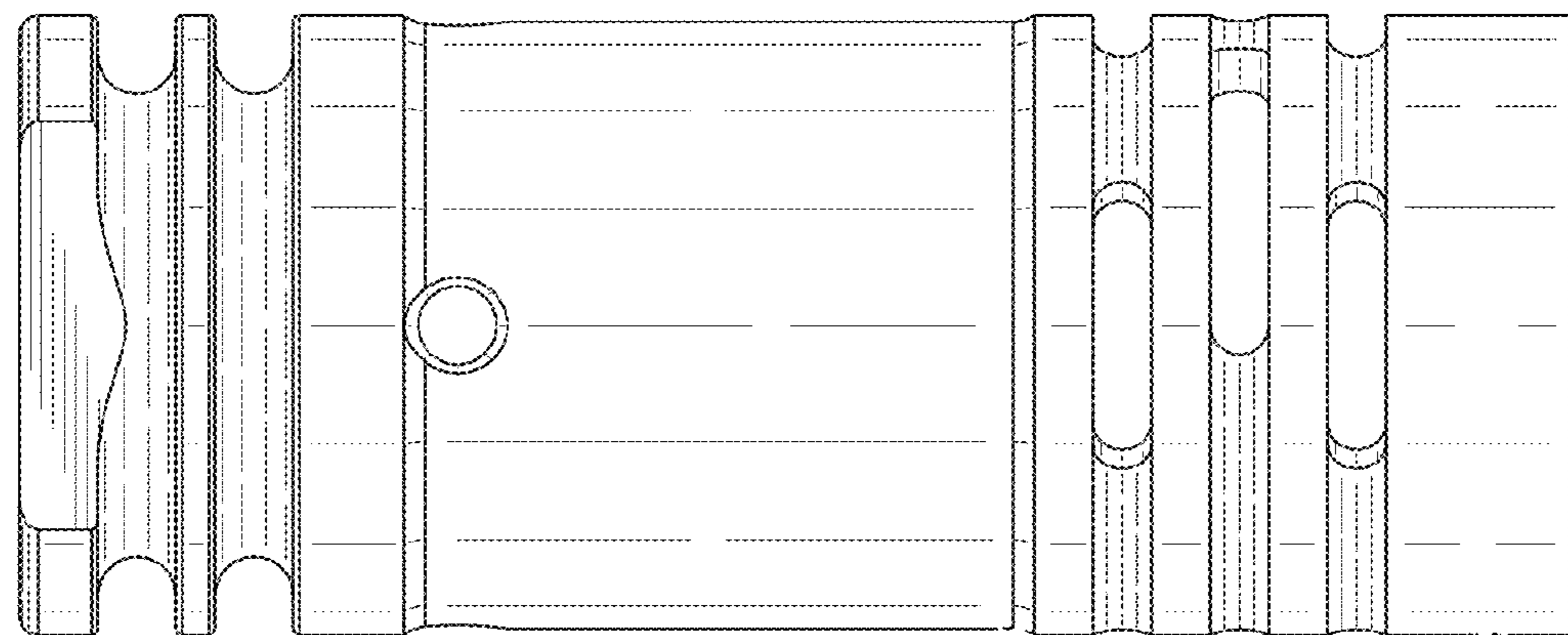


FIG. 5

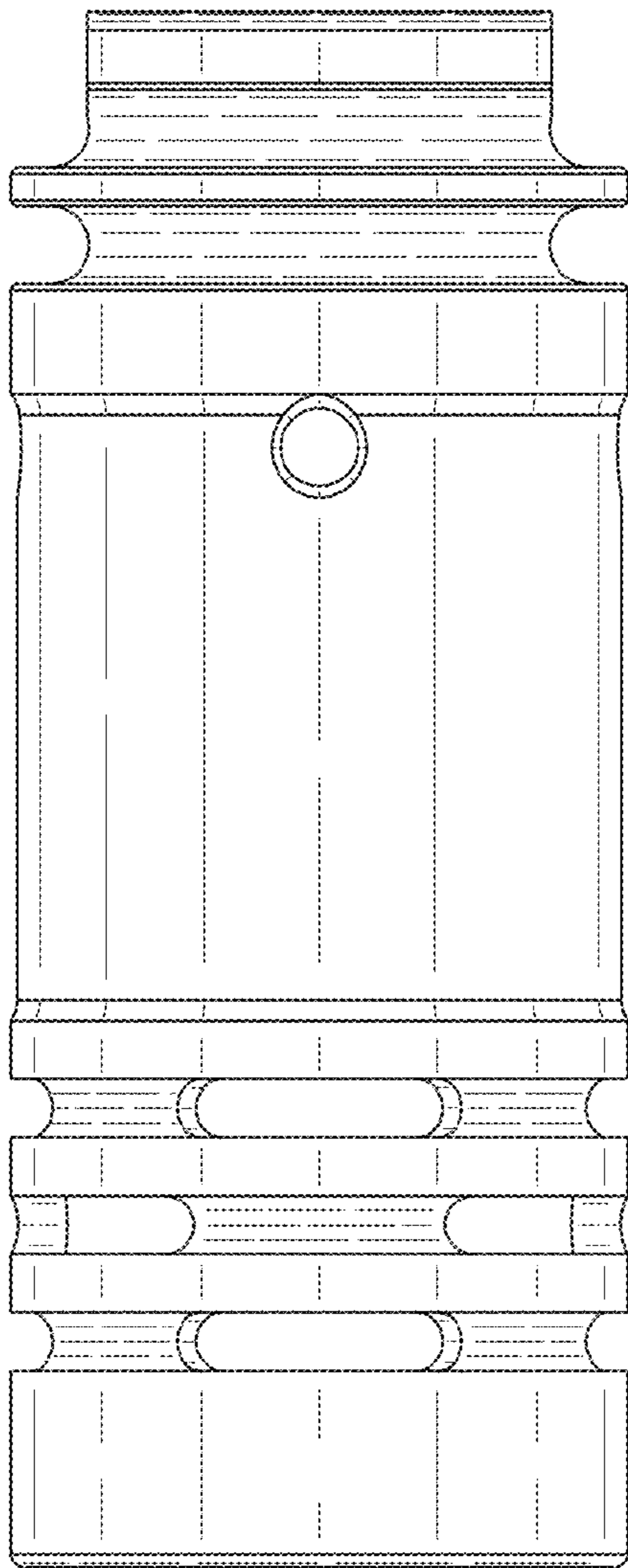


FIG. 6

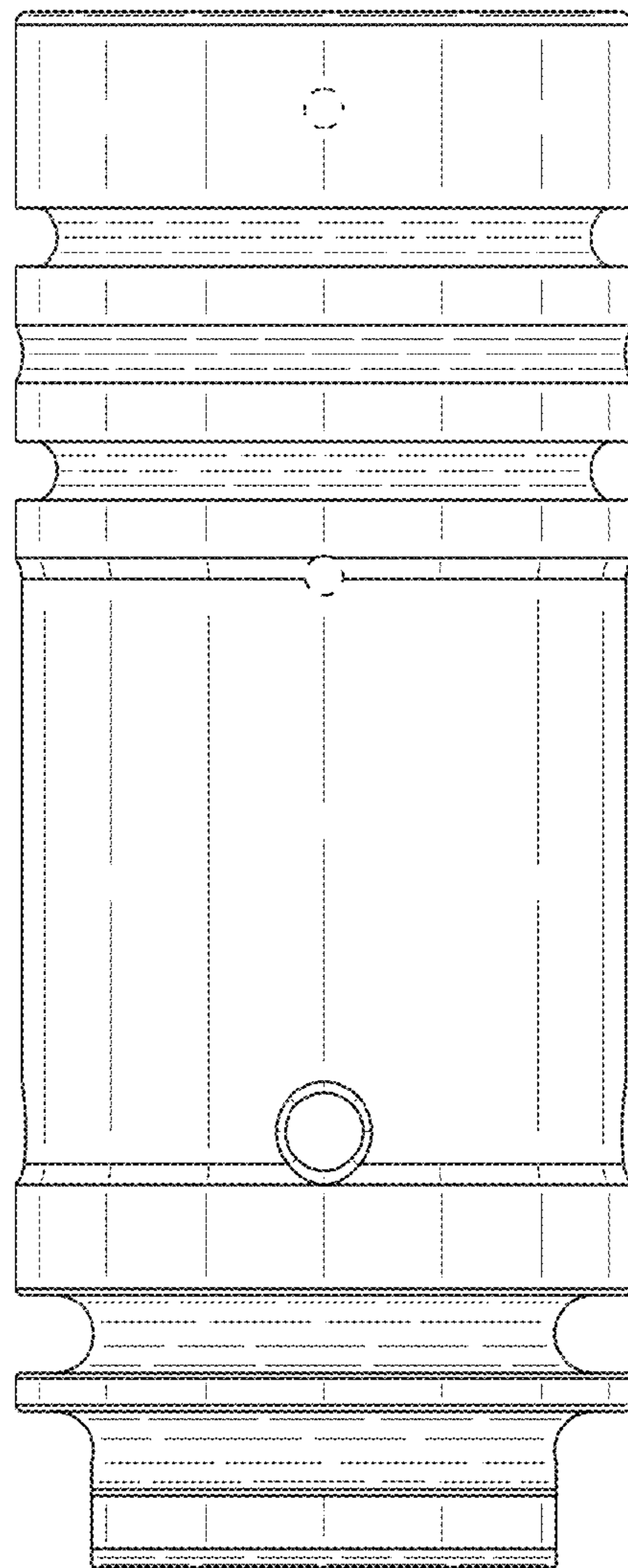


FIG. 7

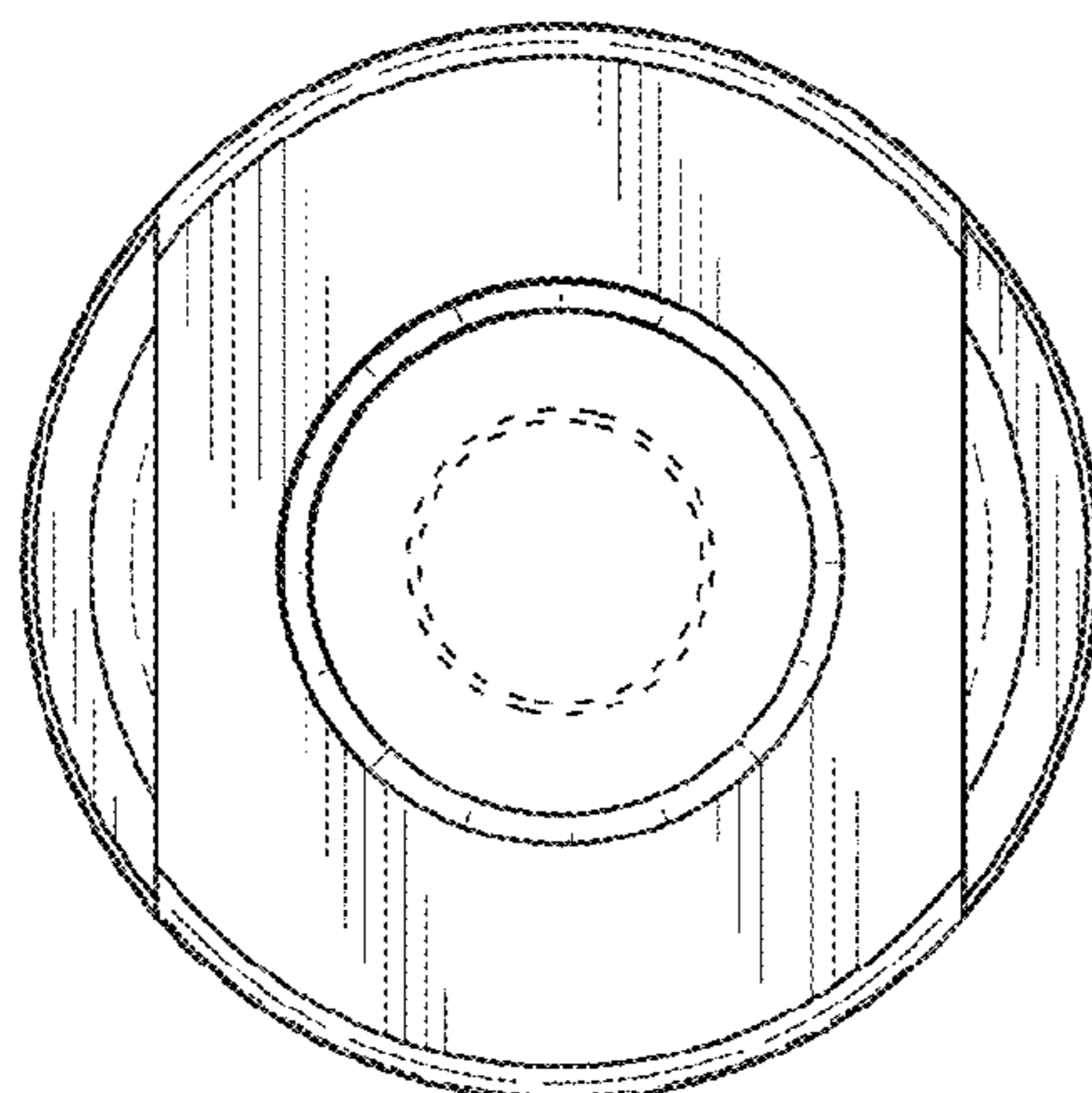


FIG. 8