



US00D682382S

(12) **United States Design Patent**  
**Ruminski**

(10) **Patent No.:** **US D682,382 S**  
(45) **Date of Patent:** **\*\* May 14, 2013**

(54) **CAPTURED AIR INFLATABLE DOME CANOPY**

(76) Inventor: **Gregory Ruminski**, Buckeye, AZ (US)

(\*\*) Term: **14 Years**

(21) Appl. No.: **29/425,689**

(22) Filed: **Jun. 26, 2012**

(51) **LOC (9) Cl.** ..... **21-04**

(52) **U.S. Cl.**  
USPC ..... **D21/835; D21/837**

(58) **Field of Classification Search** ..... D21/801,  
D21/803, 814, 819, 820, 834, 835, 837, 839;  
D25/56, 57; 135/124, 126, 136; 52/2.11,  
52/2.13, 2.17, 2.18, 2.19; 297/452.41  
See application file for complete search history.

(56) **References Cited**

U.S. PATENT DOCUMENTS

5,987,822 A \* 11/1999 McNiff et al. .... 135/125  
6,044,794 A \* 4/2000 Raitanen et al. .... 135/121  
D435,883 S \* 1/2001 Laosunthara et al. .... D21/834

6,357,462 B1 \* 3/2002 Laosunthara et al. .... 135/96  
D478,645 S \* 8/2003 Percy ..... D21/834  
D504,487 S \* 4/2005 Peterson ..... D21/835  
D504,488 S \* 4/2005 Peterson ..... D21/835  
D620,995 S \* 8/2010 Hamad ..... D21/835

\* cited by examiner

*Primary Examiner* — Cynthia M Chin

(74) *Attorney, Agent, or Firm* — Sinorica, LLC

(57) **CLAIM**

The ornamental design for a captured air inflatable dome canopy, as shown and described.

**DESCRIPTION**

FIG. 1 is a perspective view of a captured air inflatable dome canopy;

FIG. 2 is a front elevational view thereof;

FIG. 3 is a rear elevational view thereof;

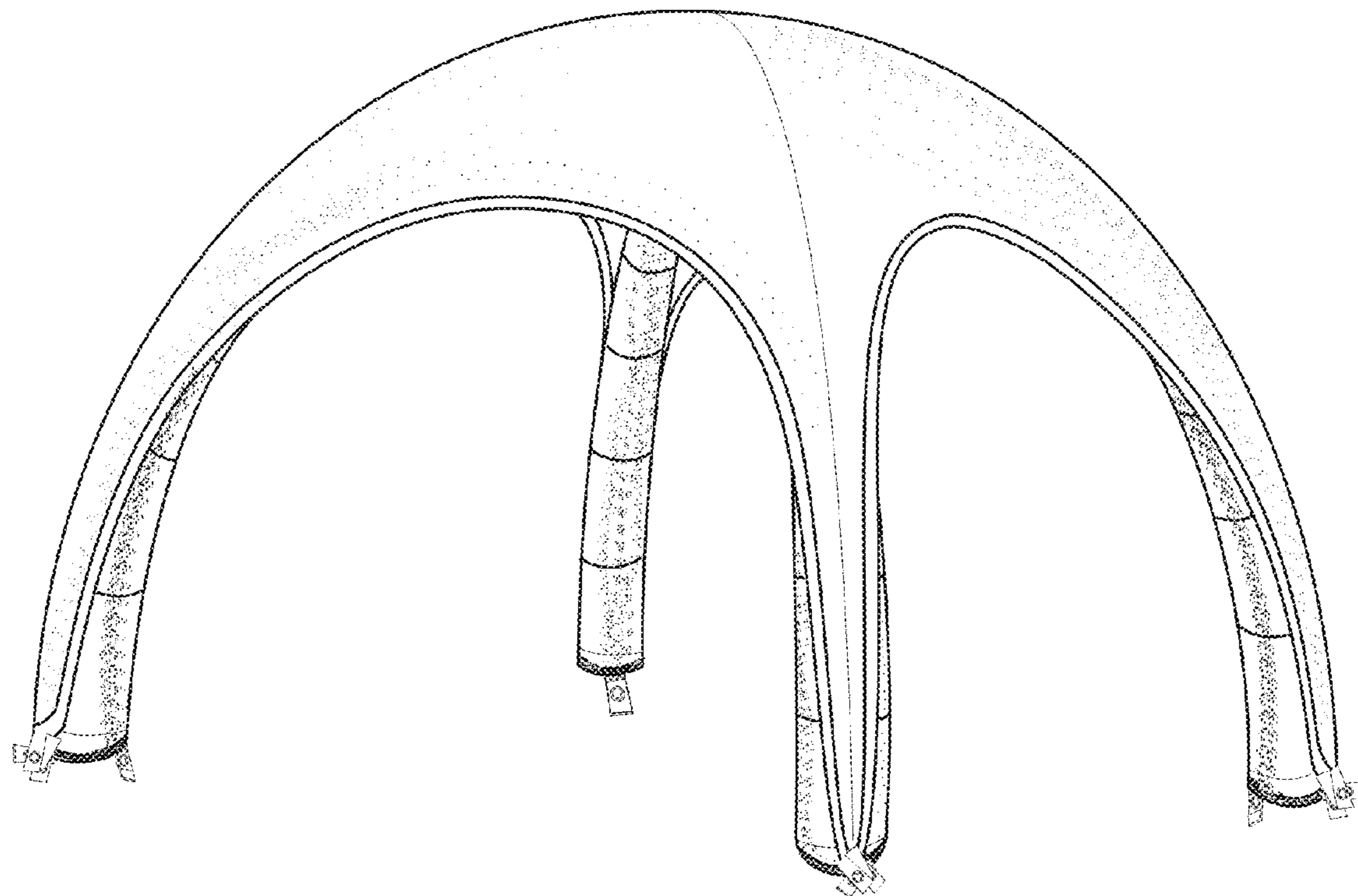
FIG. 4 is a right-side elevational view thereof;

FIG. 5 is a left-side elevational view thereof;

FIG. 6 is a bottom plan view thereof; and,

FIG. 7 is a top plan view thereof.

**1 Claim, 7 Drawing Sheets**



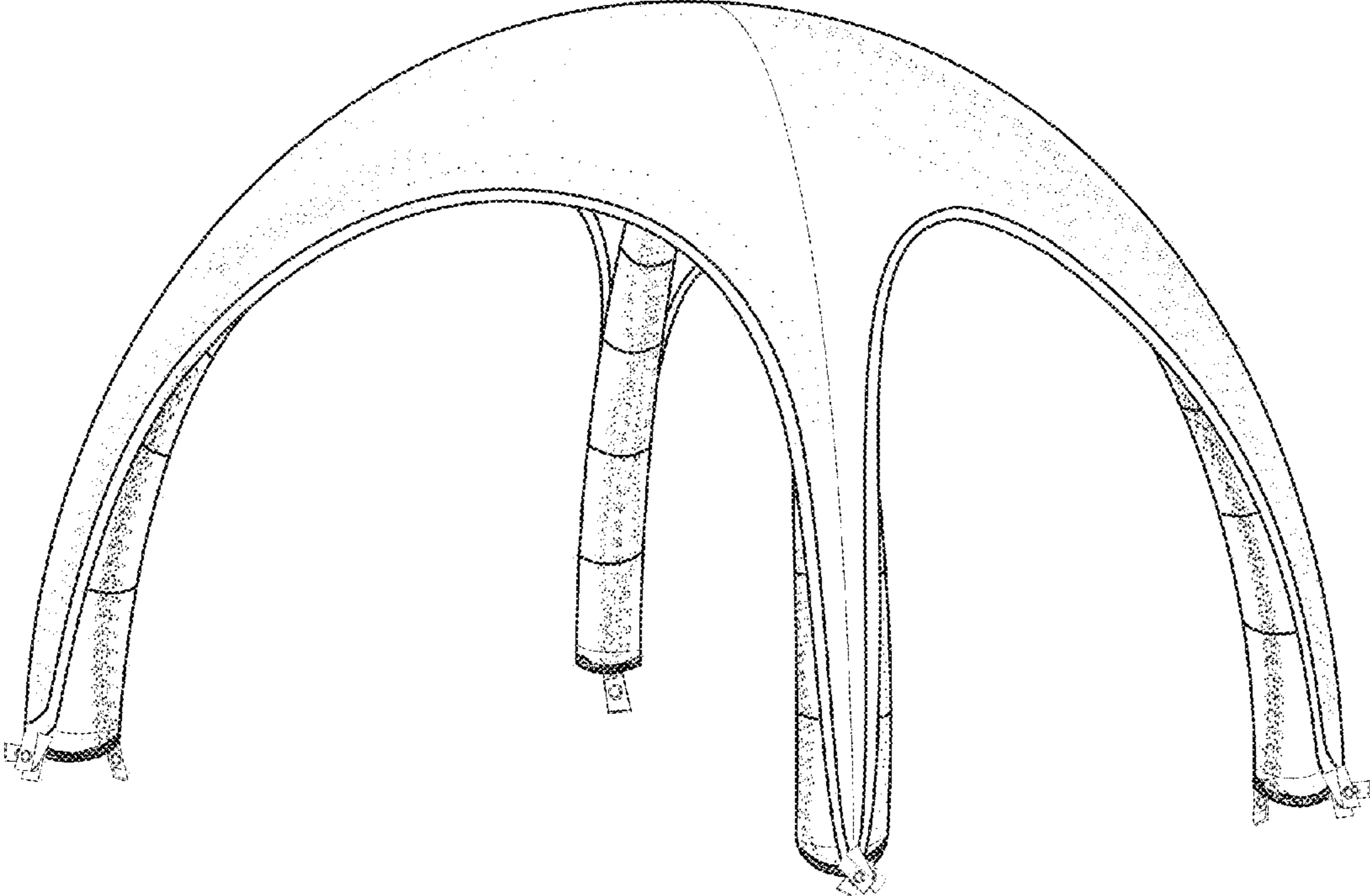


FIG. 1

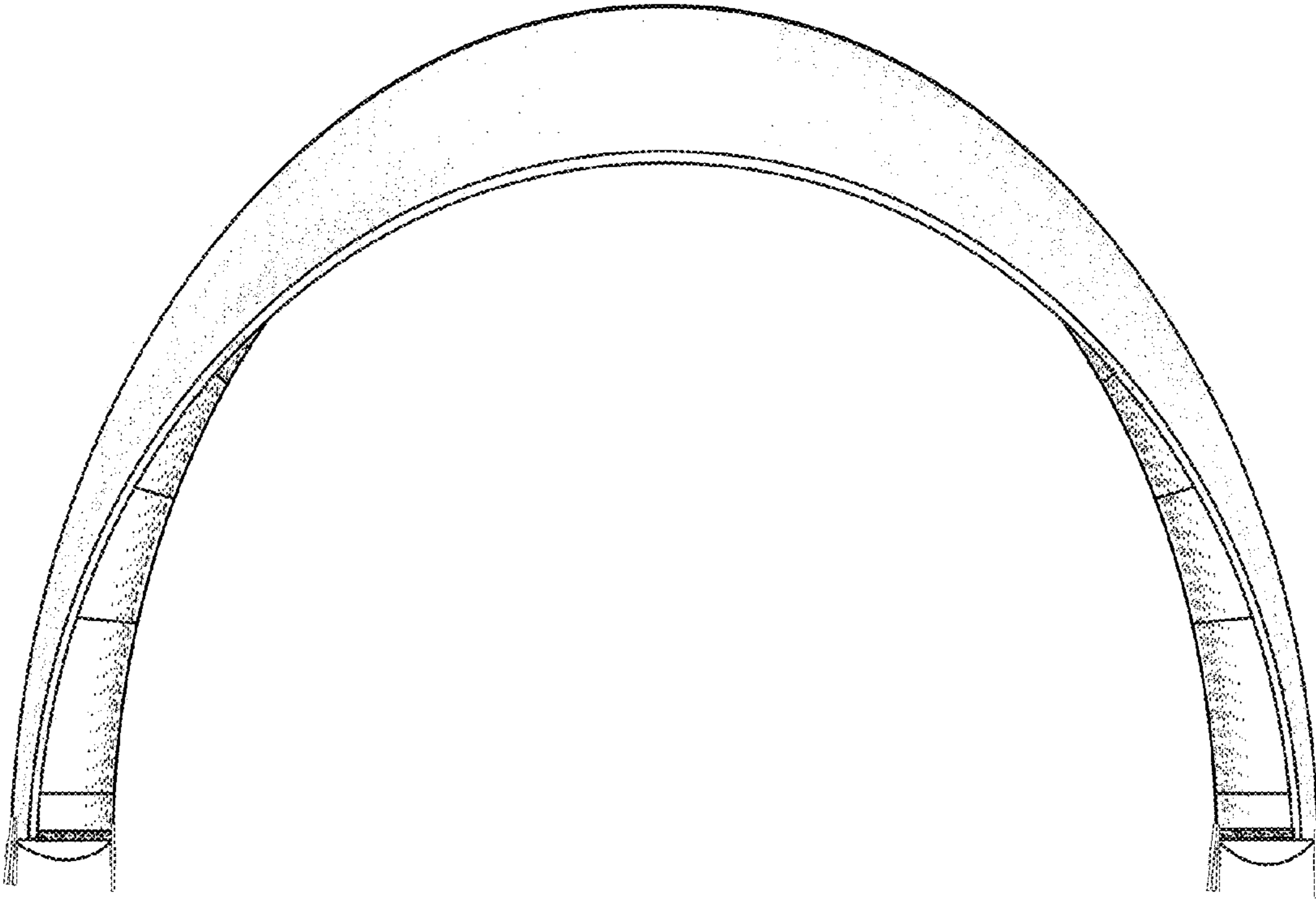


FIG. 2

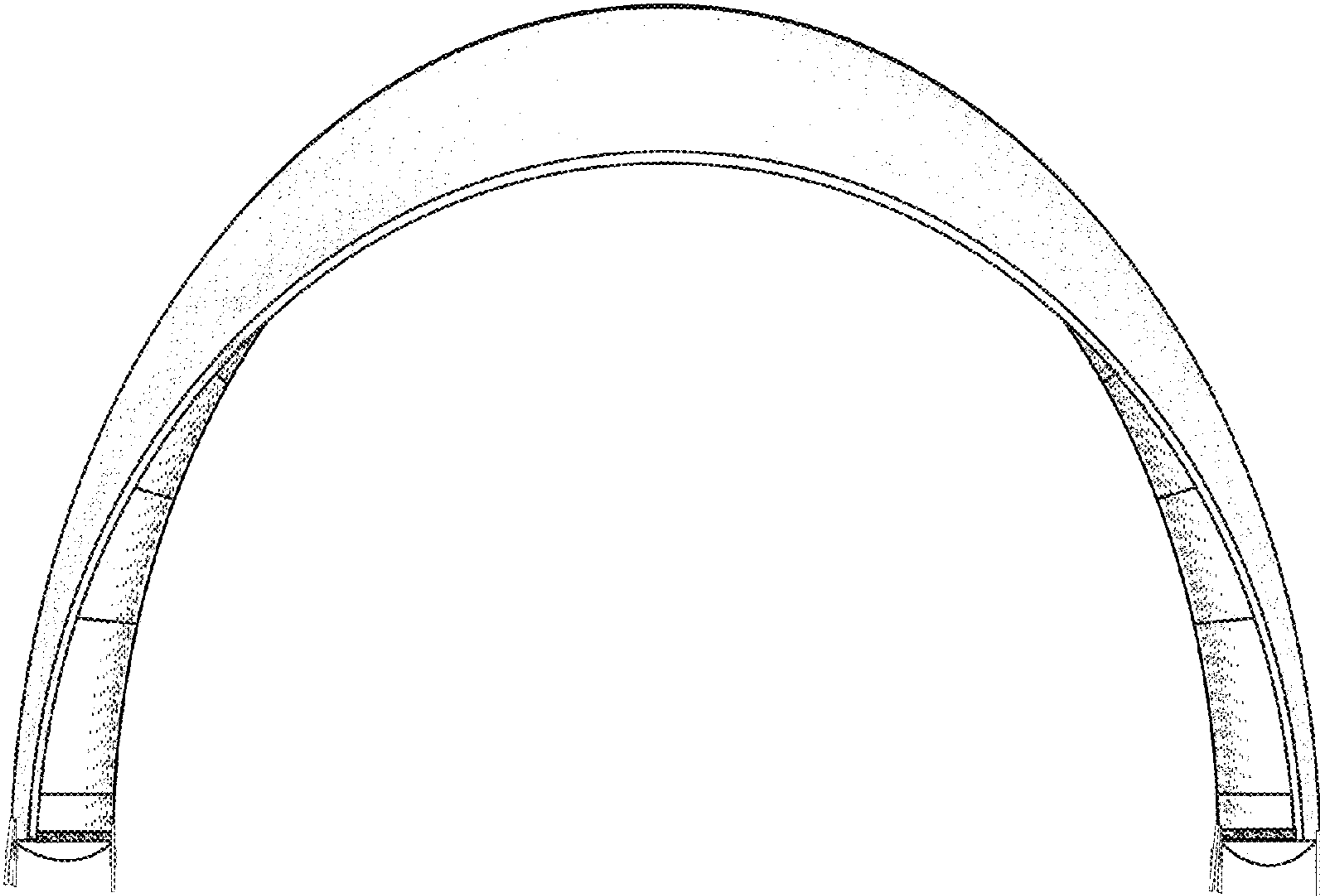


FIG. 3

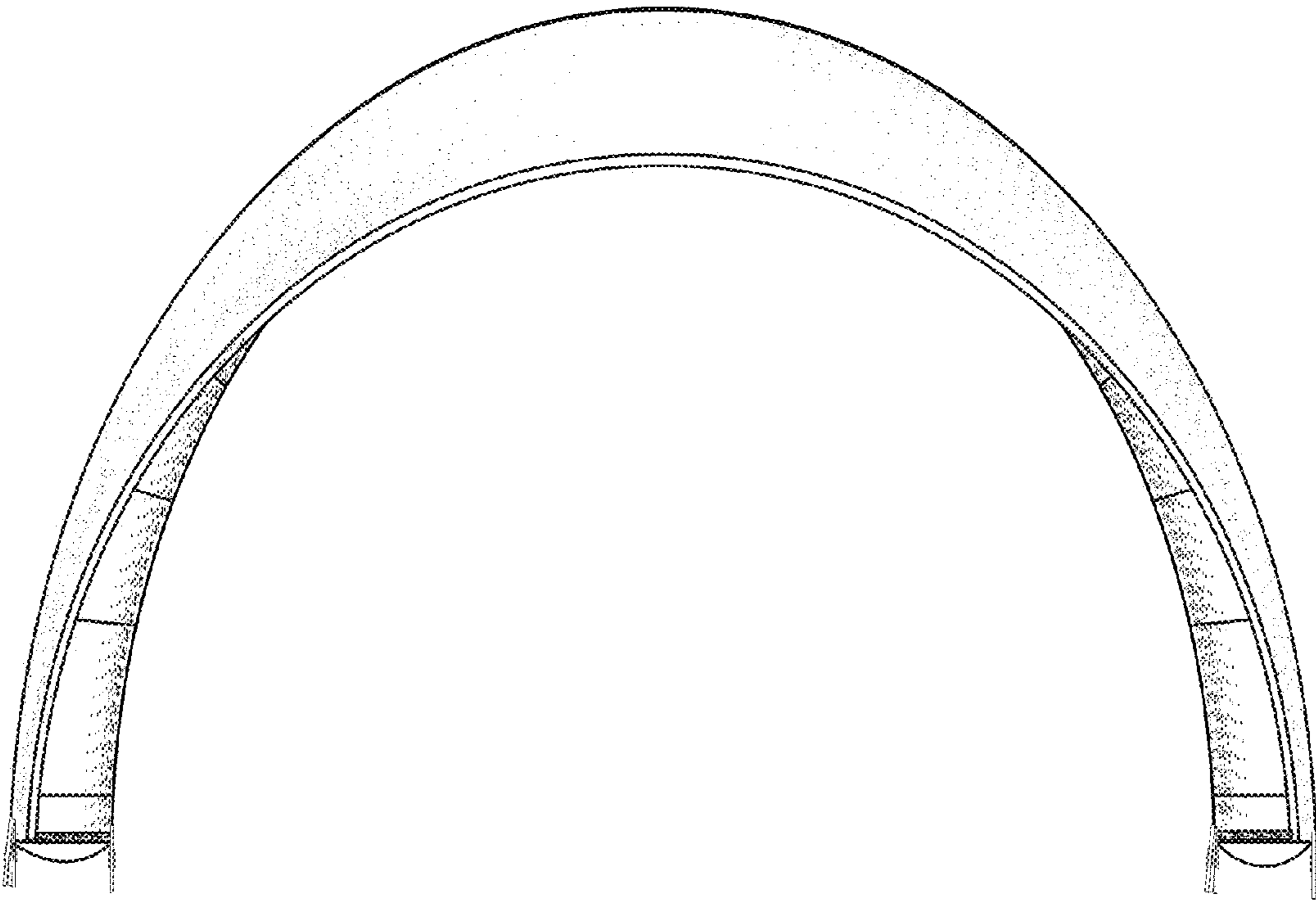


FIG. 4

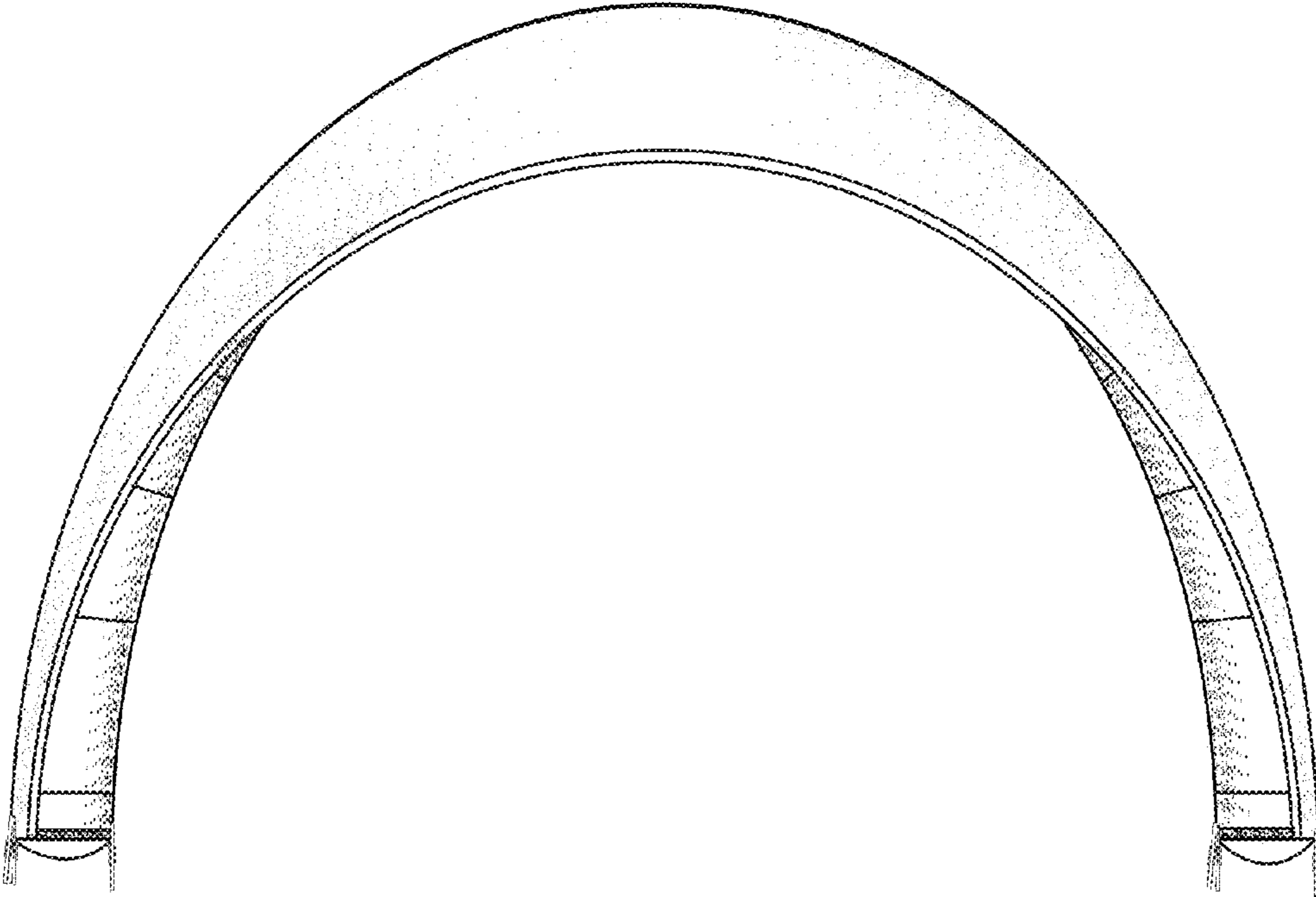


FIG. 5



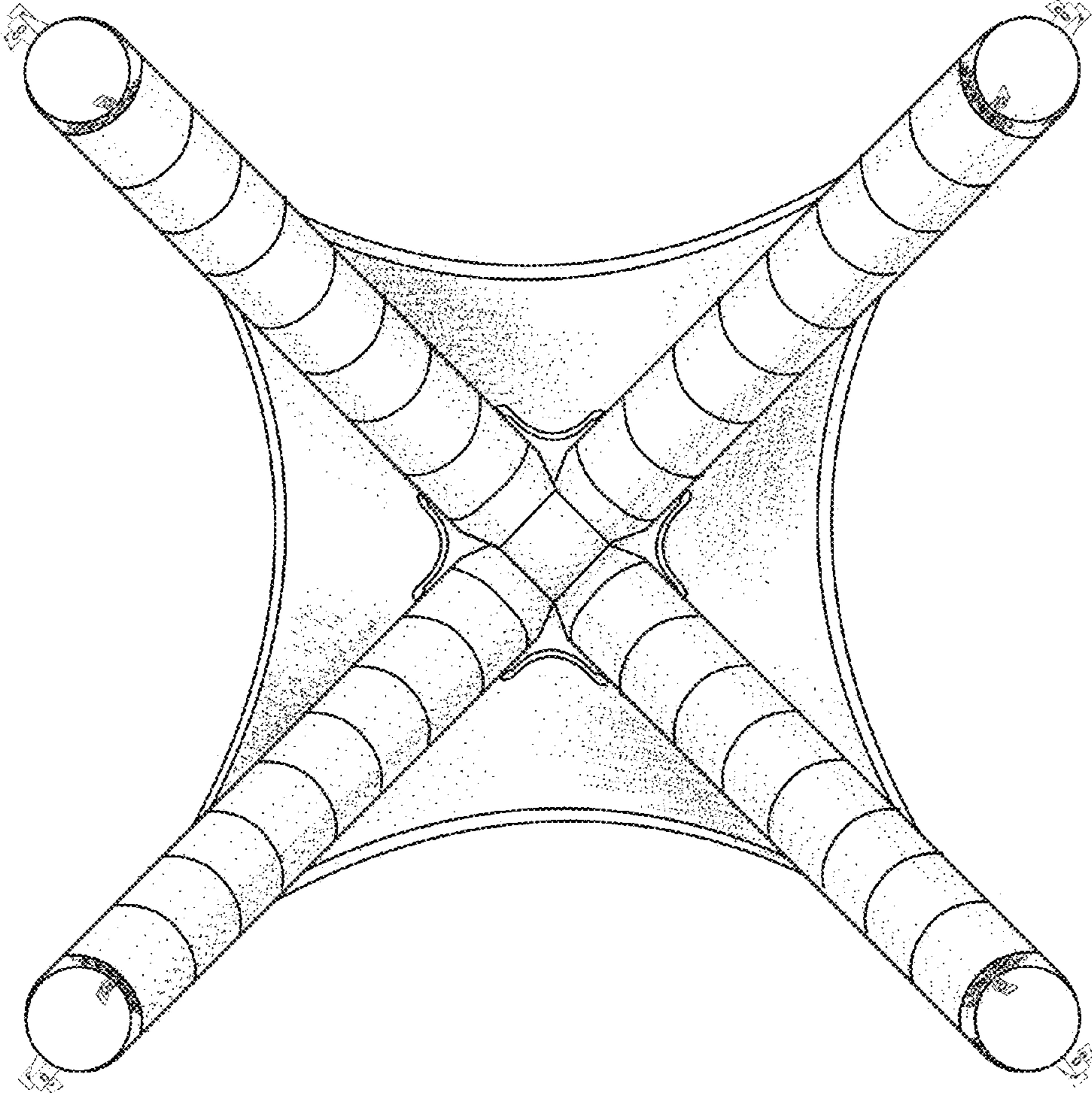


FIG. 6

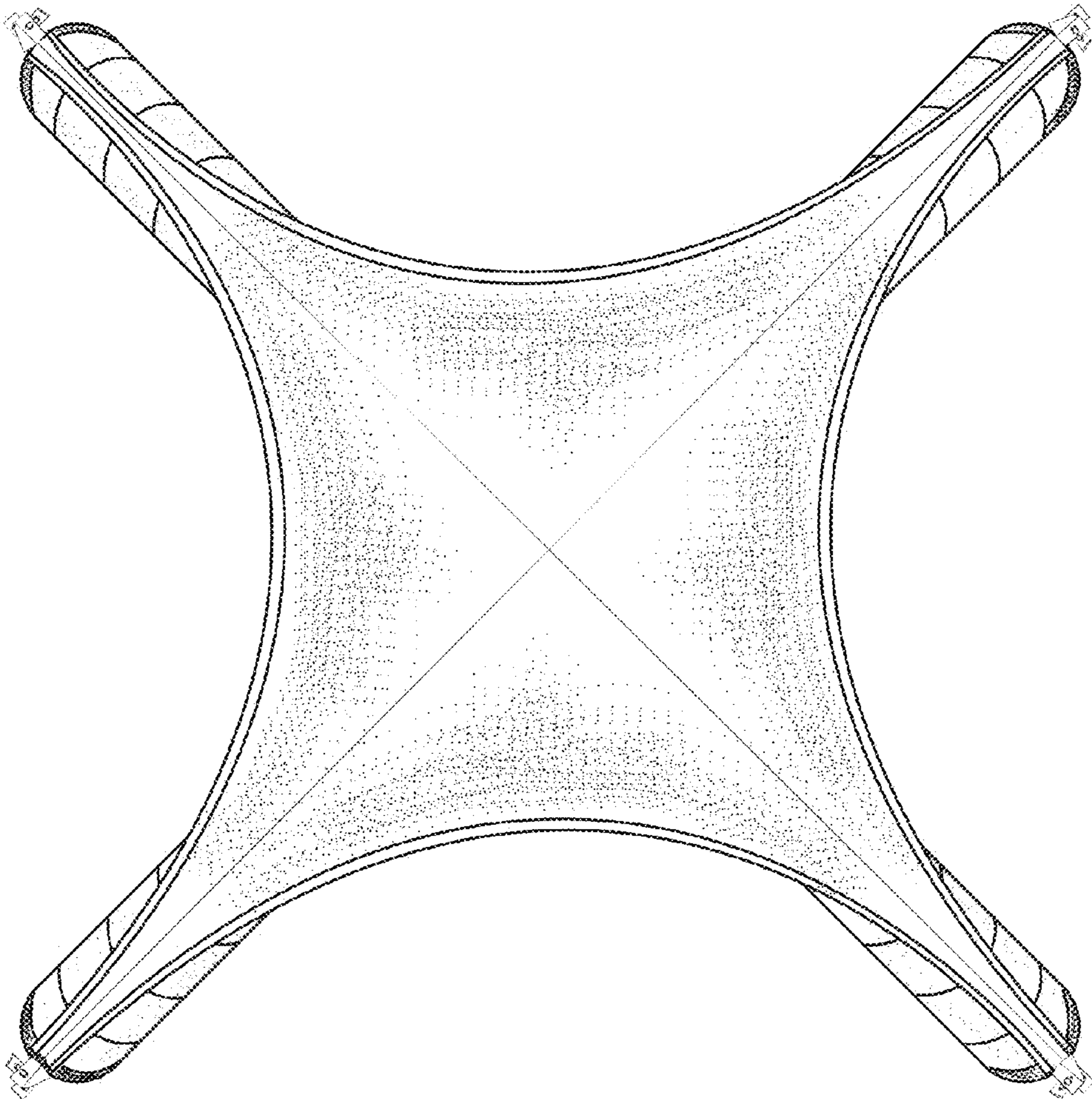


FIG. 7