



US00D682378S

(12) **United States Design Patent**  
**Holt et al.**

(10) **Patent No.:** **US D682,378 S**

(45) **Date of Patent:** **\*\* May 14, 2013**

- (54) **GOLF CLUB SHAFT SLEEVE**
- (75) Inventors: **Denver Holt**, Carlsbad, CA (US); **J. Neil Hall**, Carlsbad, CA (US)
- (73) Assignee: **Callaway Golf Company**, Carlsbad, CA (US)
- (\*\*) Term: **14 Years**
- (21) Appl. No.: **29/425,058**
- (22) Filed: **Jun. 19, 2012**
- (51) **LOC (9) Cl.** ..... **21-07**
- (52) **U.S. Cl.**  
USPC ..... **D21/759**
- (58) **Field of Classification Search** ..... D21/733,  
D21/752, 759; 473/324–331, 343–346, 305–311  
See application file for complete search history.

(56) **References Cited**

U.S. PATENT DOCUMENTS

D371,408 S *	7/1996	Ashcraft et al.	.....	D21/733
D393,678 S *	4/1998	Jones et al.	.....	D21/759
D401,653 S *	11/1998	Burrows	.....	D21/753
D401,654 S *	11/1998	Burrows	.....	D21/753
D401,655 S *	11/1998	Burrows	.....	D21/753
D401,656 S *	11/1998	Burrows	.....	D21/753
6,890,269 B2 *	5/2005	Burrows	.....	473/307
7,083,529 B2 *	8/2006	Cackett et al.	.....	473/309
D537,896 S *	3/2007	Holt et al.	.....	D21/759
D582,999 S *	12/2008	Evans et al.	.....	D21/759
D583,001 S *	12/2008	Evans et al.	.....	D21/759
D583,002 S *	12/2008	Evans et al.	.....	D21/759
D583,890 S *	12/2008	DeMille et al.	.....	D21/759
D583,891 S *	12/2008	DeMille et al.	.....	D21/759
D584,372 S *	1/2009	Hall et al.	.....	D21/759
D586,417 S *	2/2009	Hall et al.	.....	D21/759
D586,870 S *	2/2009	Hocknell et al.	.....	D21/759
D587,770 S *	3/2009	Evans et al.	.....	D21/759
D588,661 S *	3/2009	Lee	.....	D21/759
D588,663 S *	3/2009	Lee	.....	D21/759

D589,577 S *	3/2009	Evans et al.	.....	D21/759
D590,466 S *	4/2009	Hall et al.	.....	D21/759
D590,467 S *	4/2009	Cackett et al.	.....	D21/759
D590,468 S *	4/2009	Evans et al.	.....	D21/759
D590,904 S *	4/2009	Evans et al.	.....	D21/759
D590,905 S *	4/2009	Demille et al.	.....	D21/759
D590,906 S *	4/2009	Cackett et al.	.....	D21/759
D591,375 S *	4/2009	Evans et al.	.....	D21/759
D591,376 S *	4/2009	Evans et al.	.....	D21/759
D591,377 S *	4/2009	Evans et al.	.....	D21/759
D591,378 S *	4/2009	Hocknell et al.	.....	D21/759
D591,380 S *	4/2009	Evans et al.	.....	D21/759
D614,712 S *	4/2010	Toulon et al.	.....	D21/759
7,699,717 B2	4/2010	Morris et al.		
D638,505 S *	5/2011	Kakizaki	.....	D21/759
8,057,320 B2	11/2011	Bennett et al.		

OTHER PUBLICATIONS

Titleist 910 D2 Driver Review. [online]. [retrieved on Jan. 4, 2013]. Retrieved from the Internet: <URL: <http://www.mygolfspy.com/titleist-910-d2-driver-review/>>.

\* cited by examiner

*Primary Examiner* — Mitchell Siegel

(74) *Attorney, Agent, or Firm* — Rebecca Hanovice; Michael A. Catania; Sonia Lari

(57) **CLAIM**

The ornamental design for a golf club shaft sleeve, as shown and described.

**DESCRIPTION**

FIG. 1 is a side view of a golf club shaft sleeve as claimed herein;

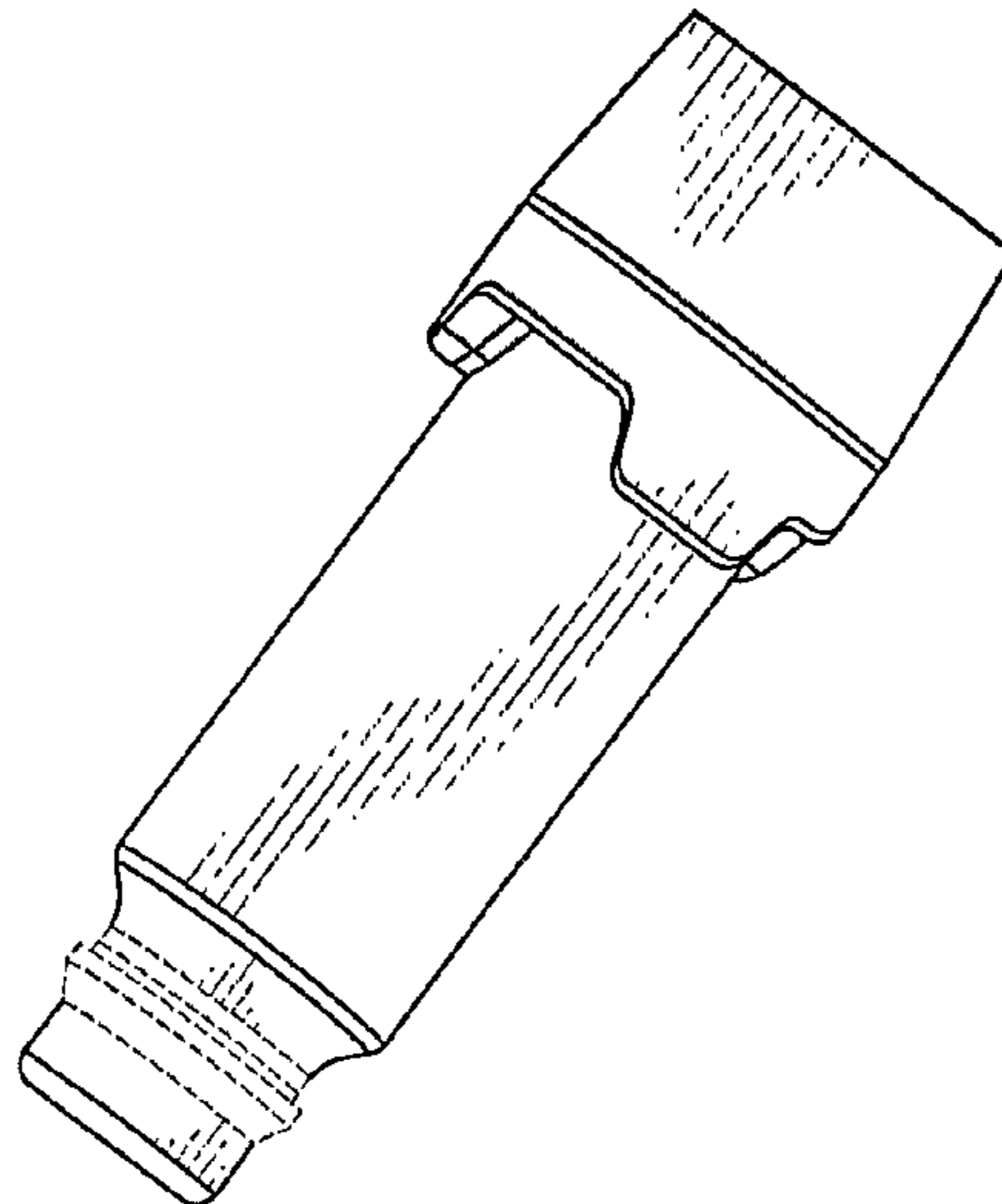
FIG. 2 is a side perspective view thereof;

FIG. 3 is a top plan view thereof; and,

FIG. 4 is a bottom plan view thereof.

The broken lines are included for the purpose of illustration and forms no part of the claimed design.

**1 Claim, 2 Drawing Sheets**



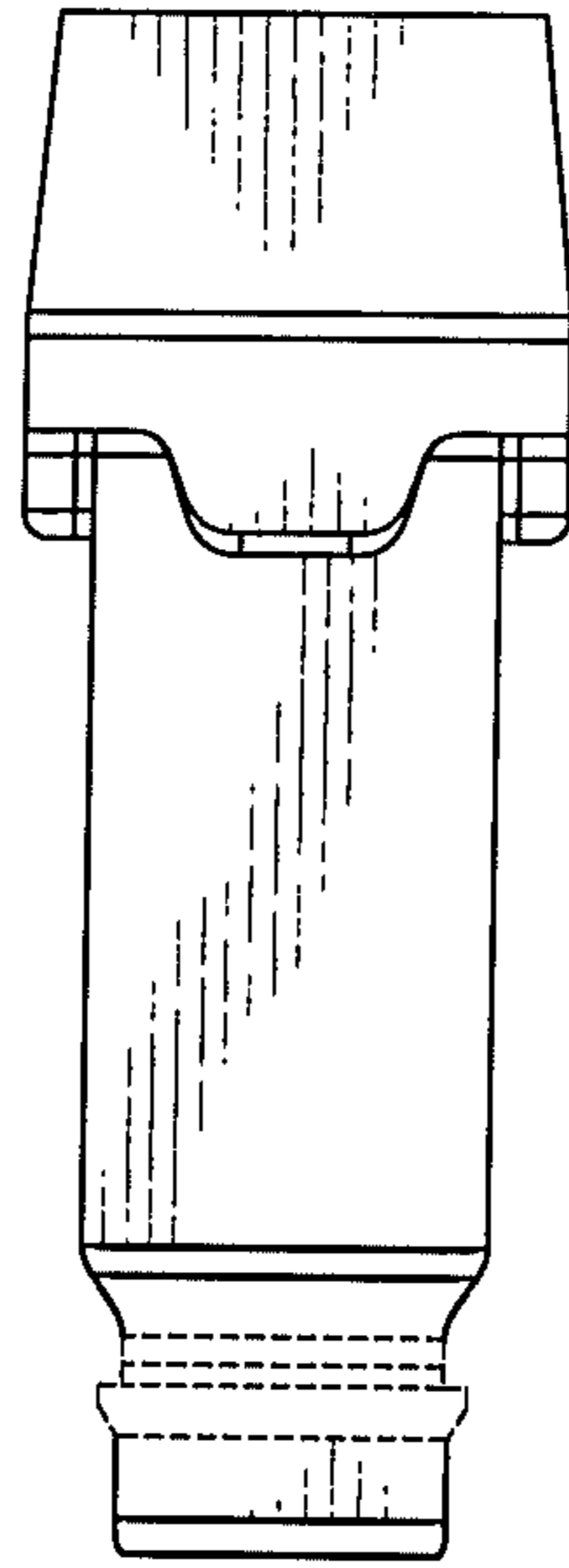


FIG. 1

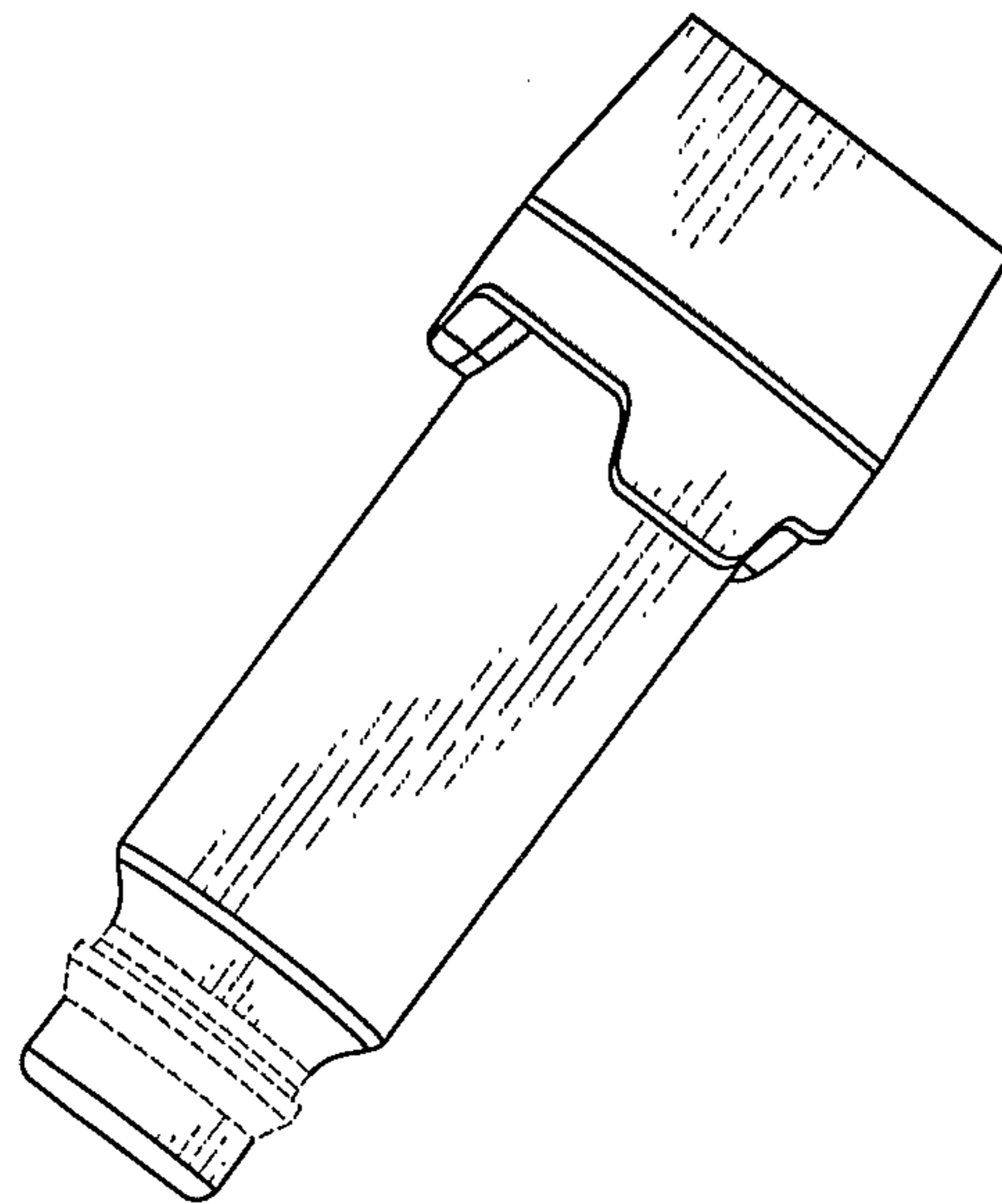


FIG. 2

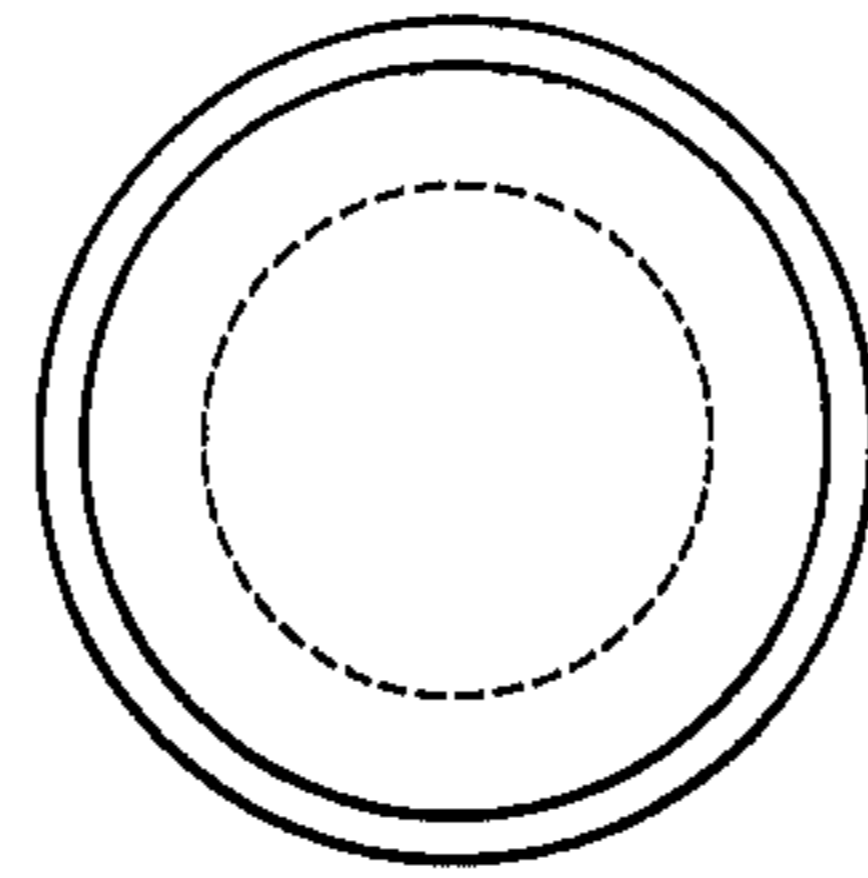


FIG. 3

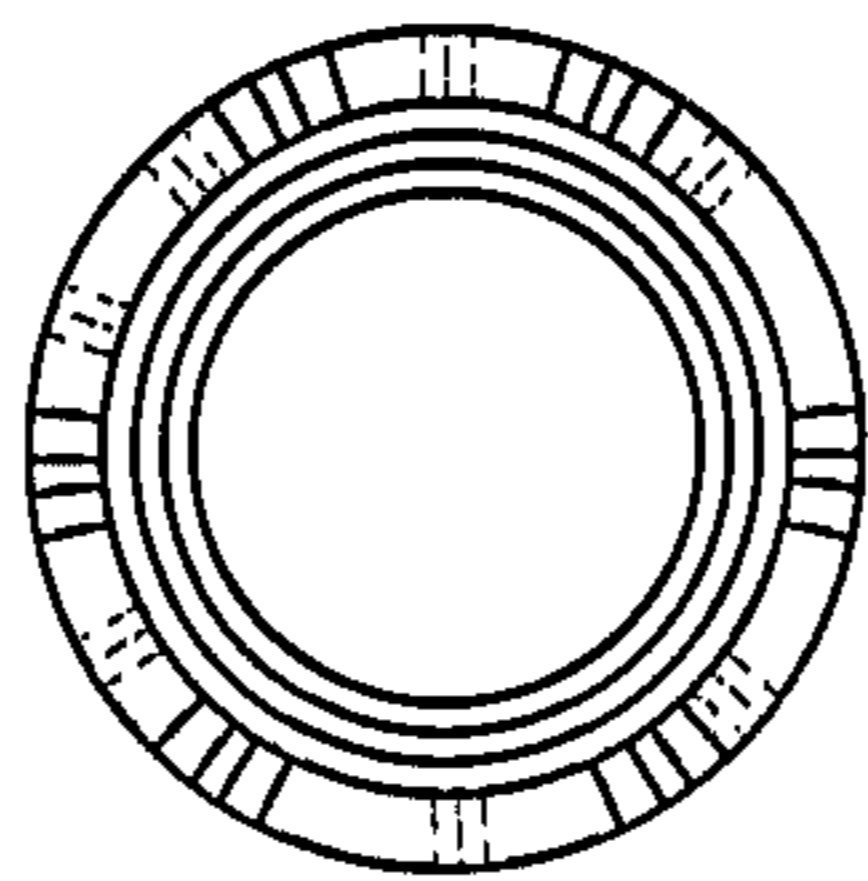


FIG. 4