



US00D682375S

(12) **United States Design Patent**
Wu

(10) **Patent No.:** **US D682,375 S**

(45) **Date of Patent:** **** May 14, 2013**

(54) **ABDOMINAL EXERCISER**

(76) Inventor: **Dong-Her Wu**, Chang Hua Hsien (TW)

(**) Term: **14 Years**

(21) Appl. No.: **29/422,201**

(22) Filed: **May 17, 2012**

(51) **LOC (9) Cl.** **21-02**

(52) **U.S. Cl.**
USPC **D21/692**; D21/662

(58) **Field of Classification Search** D21/662,
D21/673, 686, 692, 694; 482/8, 83, 110,
482/120, 121, 122, 123, 126, 127, 128, 140
See application file for complete search history.

(56) **References Cited**

U.S. PATENT DOCUMENTS

5,160,304	A *	11/1992	Van Der Hoeven	482/128
D379,835	S *	6/1997	Chen	D21/686
5,637,066	A *	6/1997	Chang	482/126
5,651,755	A *	7/1997	Chen	482/128
D382,318	S *	8/1997	Hollinger	D21/673
D386,225	S *	11/1997	Chen	D21/692
5,690,597	A *	11/1997	Enfaradi	482/126
D387,401	S *	12/1997	Huang	D21/692
5,695,436	A *	12/1997	Huang	482/121
5,749,815	A *	5/1998	Lipps	482/122
5,795,275	A *	8/1998	Van Der Hoeven et al.	..	482/122
D403,163	S *	12/1998	Lipps	D21/692
D408,063	S *	4/1999	Van Der Hoeven et al.	.	D21/692
5,913,756	A *	6/1999	Glaser	482/128

D426,275	S *	6/2000	Sealy	D21/692
6,077,205	A *	6/2000	Zarillo et al.	482/121
6,110,082	A *	8/2000	Tsai	482/121
6,488,614	B1 *	12/2002	Chang	482/110
6,616,582	B1 *	9/2003	Jiang	482/140
6,712,742	B2 *	3/2004	Suiter	482/140
D509,862	S *	9/2005	Tsai	D21/662
7,052,443	B2 *	5/2006	Phillips	482/83
7,115,079	B2 *	10/2006	Yu	482/126
D589,574	S *	3/2009	Tsai	D21/692
7,717,825	B2 *	5/2010	Van Der Hoeven	482/8
D668,305	S *	10/2012	Wu	D21/692

* cited by examiner

Primary Examiner — Susan E Krakower

(74) *Attorney, Agent, or Firm* — Jackson IPG PLLC

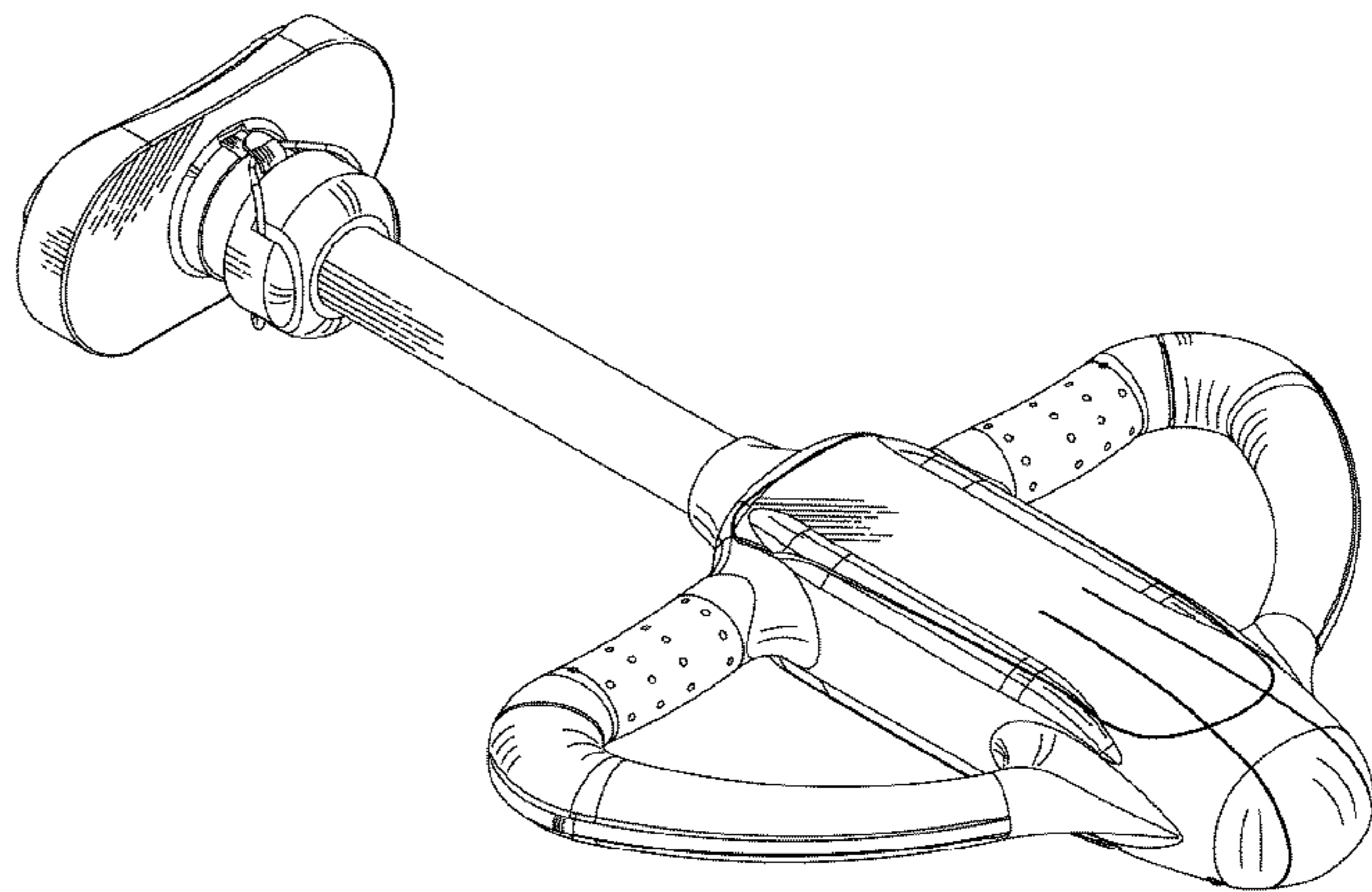
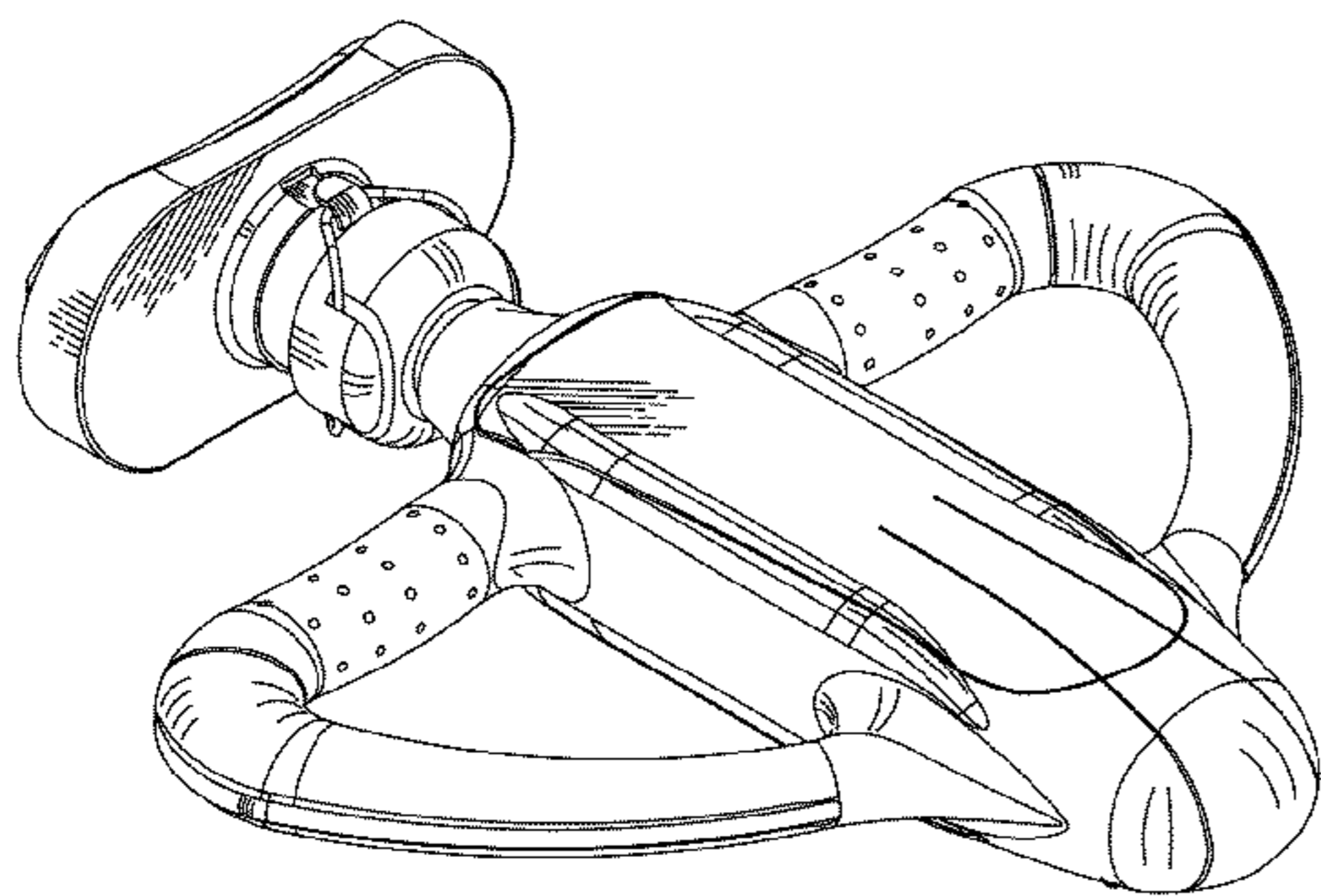
(57) **CLAIM**

I claim the ornamental design for an abdominal exerciser, as shown and described.

DESCRIPTION

FIG. 1 is a front elevation view of an abdominal exerciser showing my new design;
FIG. 2 is a rear elevation view thereof;
FIG. 3 is a left side view thereof;
FIG. 4 is a right side view thereof;
FIG. 5 is a top plan view thereof;
FIG. 6 is a bottom plan view thereof;
FIG. 7 is a perspective view thereof; and,
FIG. 8 is a perspective view thereof, shown in an alternate position.

1 Claim, 5 Drawing Sheets



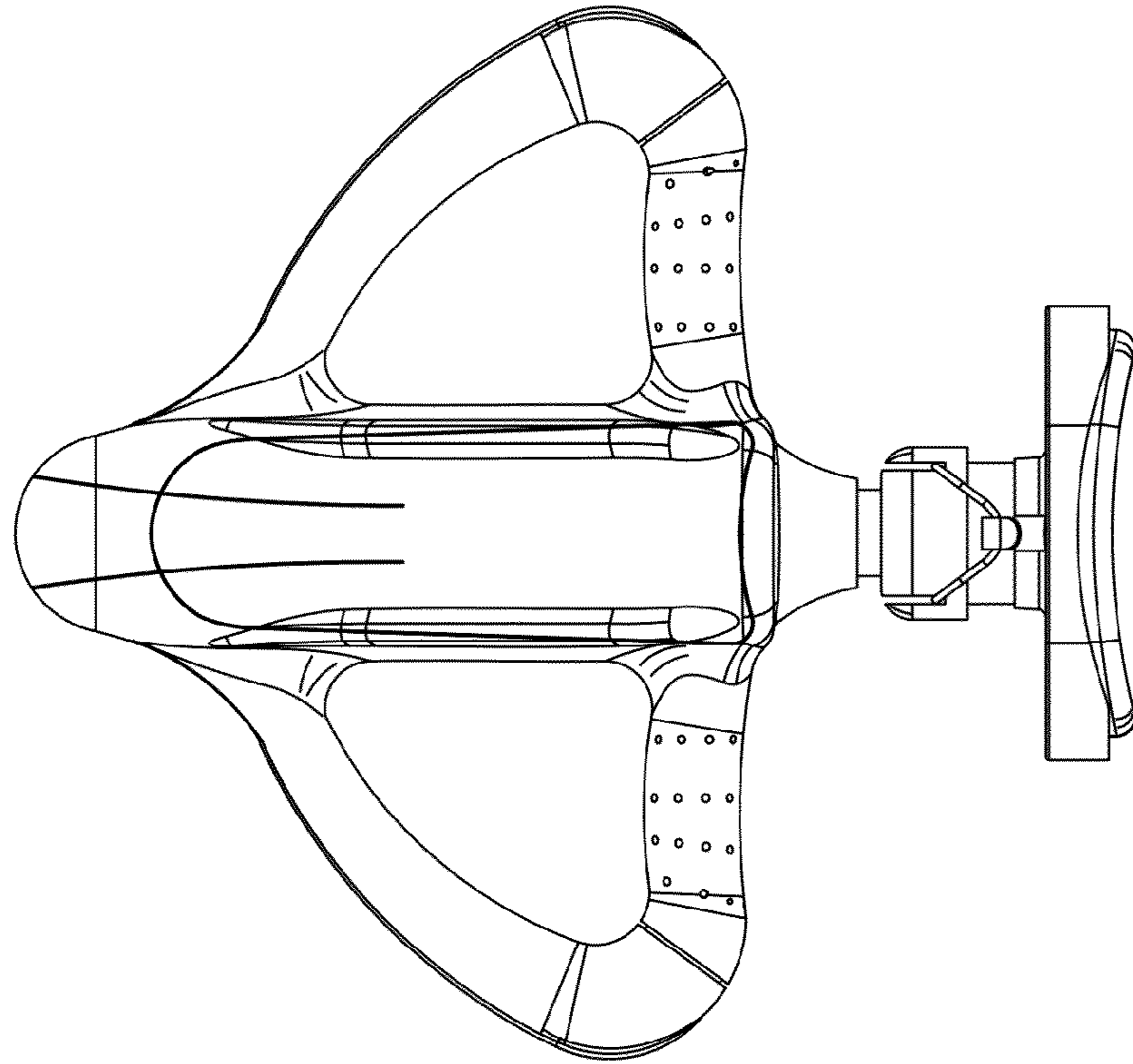


Fig. 1

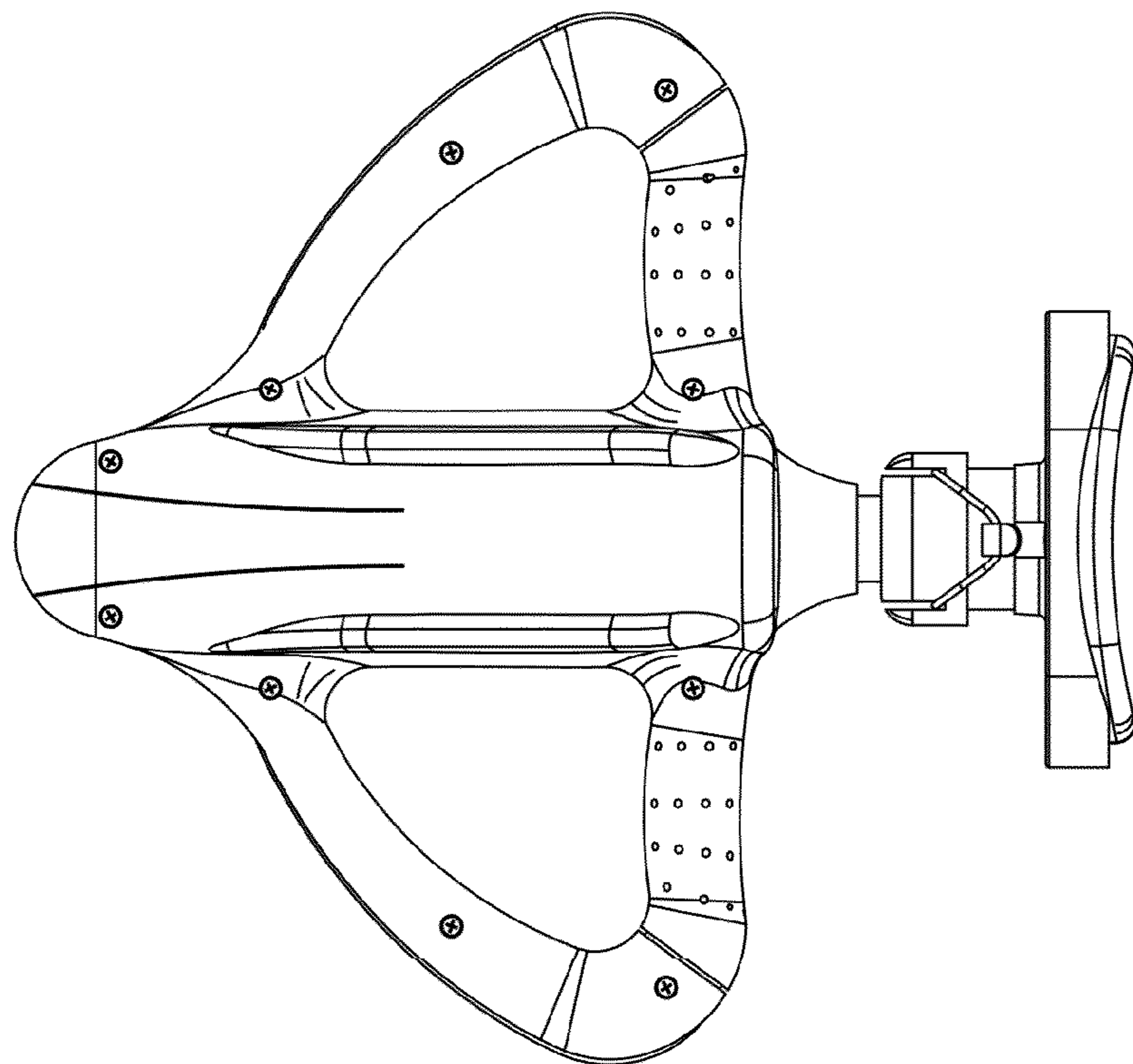


Fig. 2

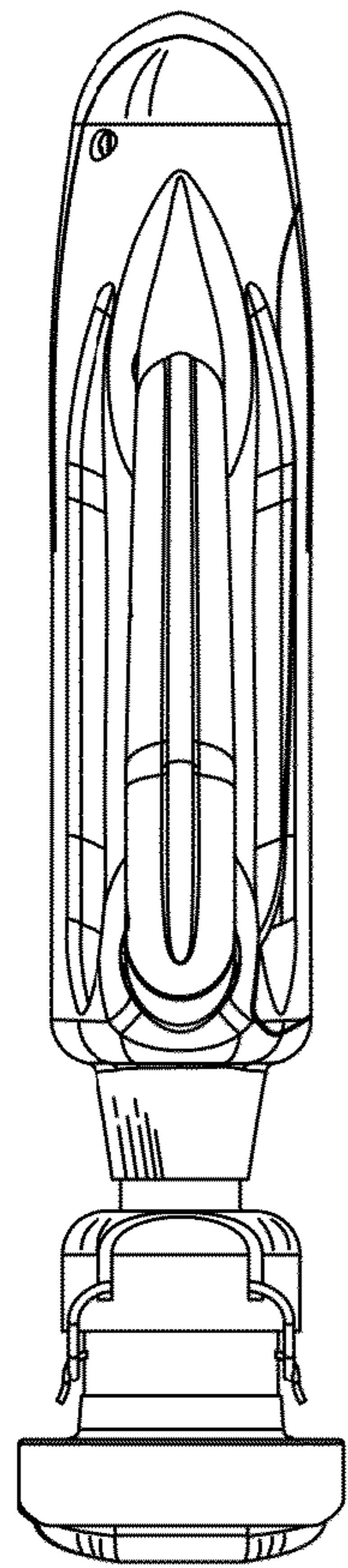


Fig. 3

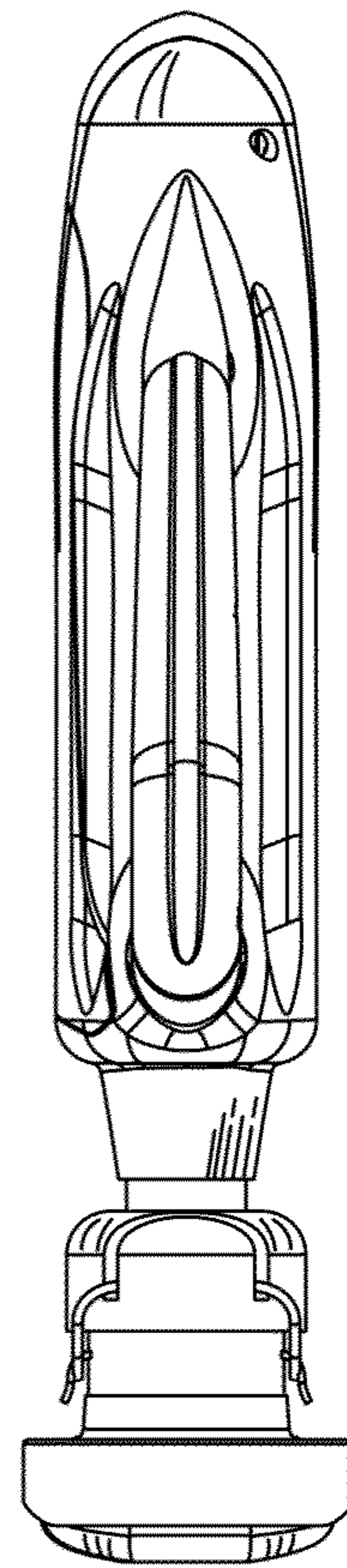


Fig. 4

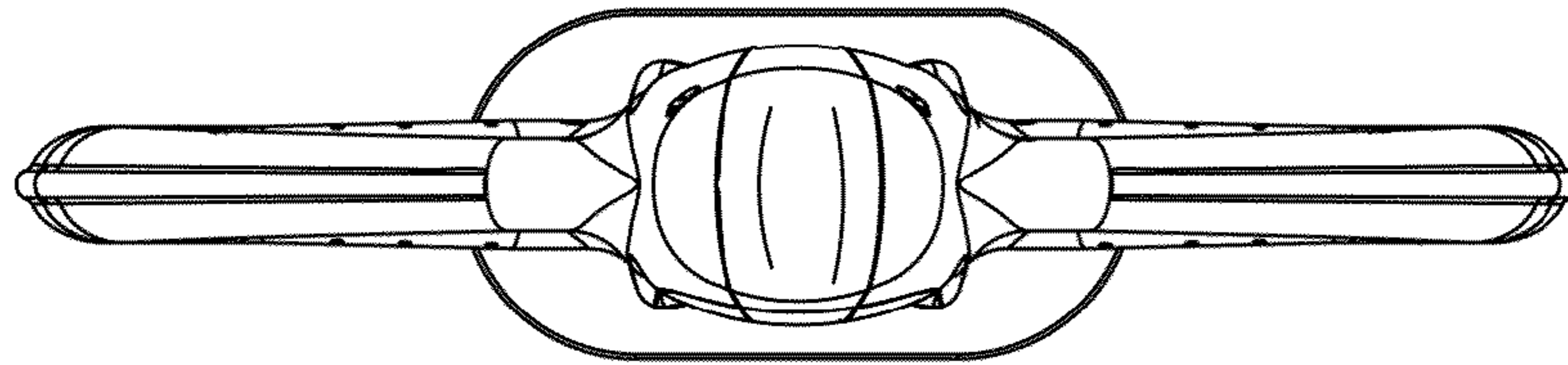


Fig. 5

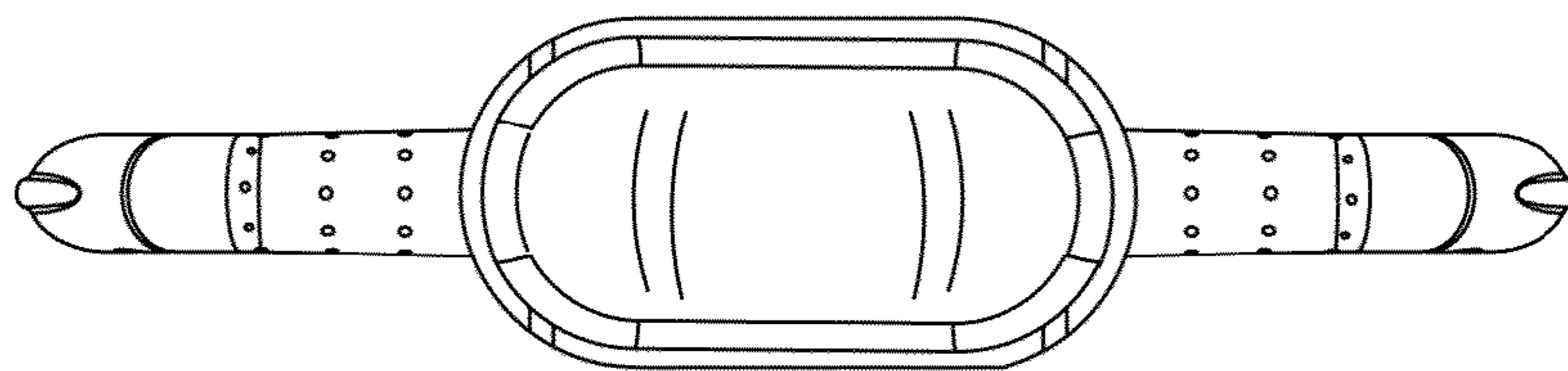


Fig. 6

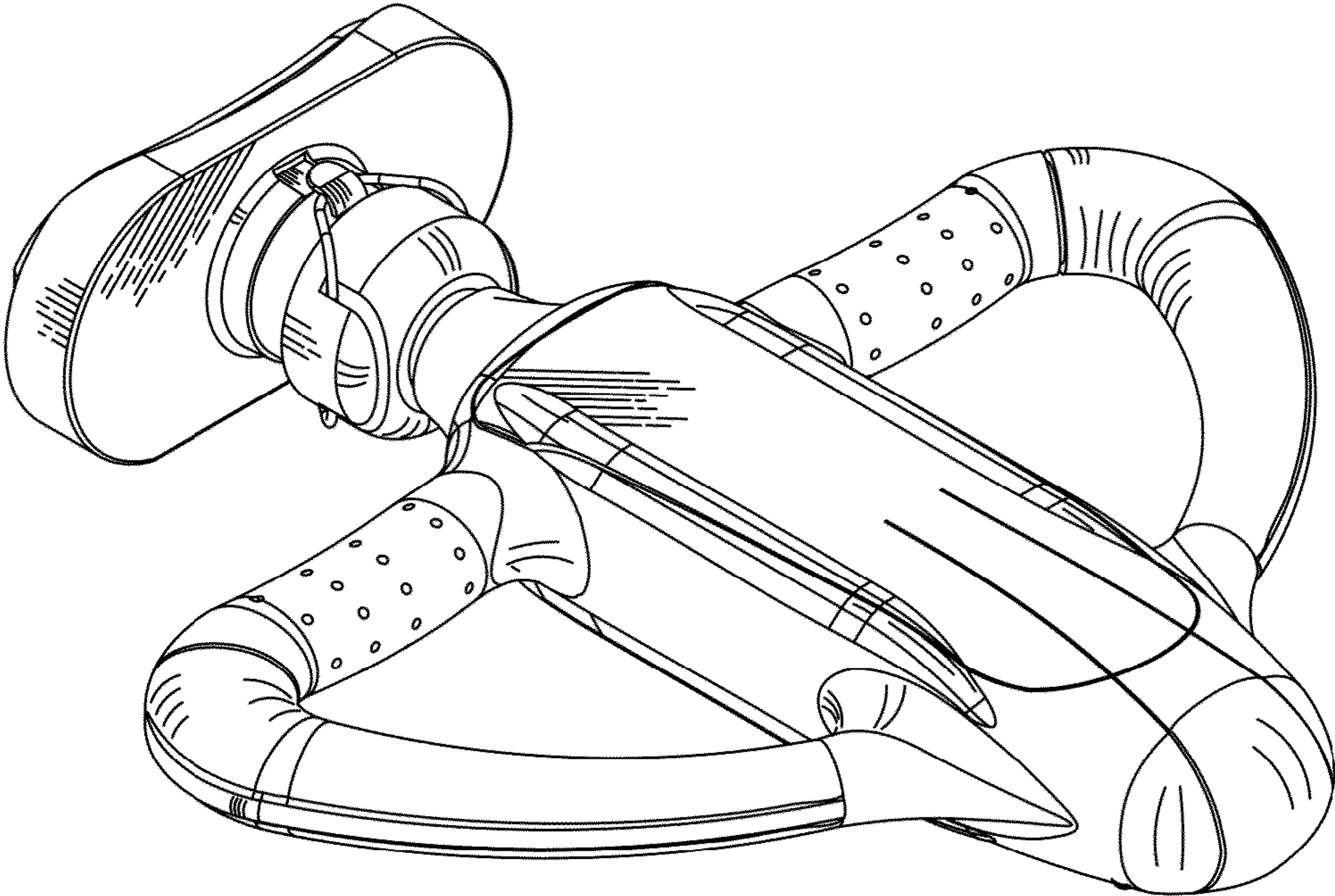


Fig. 7

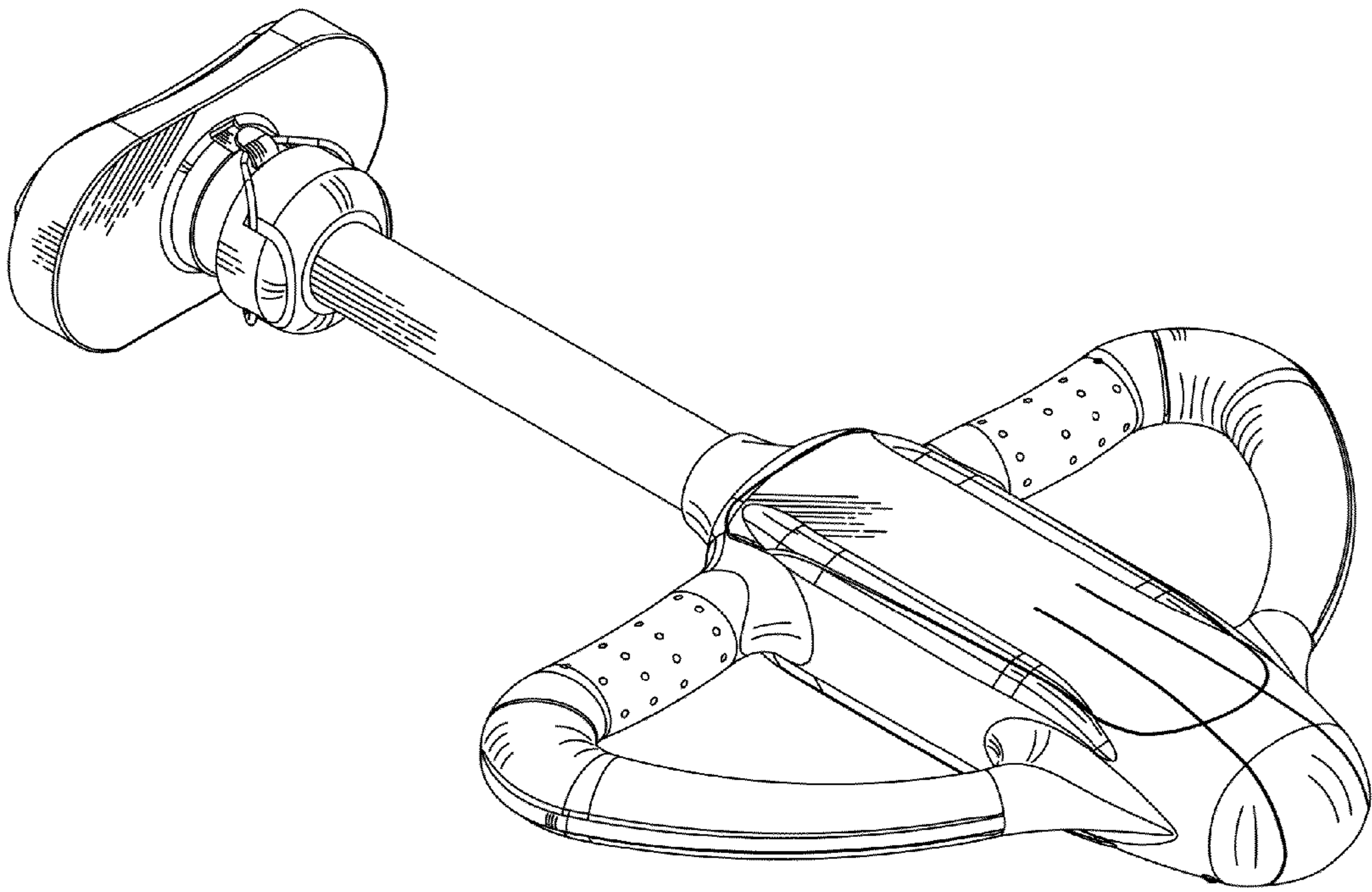


Fig. 8