



US00D682372S

(12) **United States Design Patent**
Alessandri et al.

(10) **Patent No.:** **US D682,372 S**

(45) **Date of Patent:** **** May 14, 2013**

(54) **EXERCISE DEVICE**

(75) Inventors: **Nerio Alessandri**, Longiano (IT); **Mario Fedriga**, Forli (IT); **Simone Servadei**, Modigliana (IT)

(73) Assignee: **Technogym S.p.A.**, Gambettola (FC) (IT)

(**) Term: **14 Years**

(21) Appl. No.: **29/399,048**

(22) Filed: **Aug. 9, 2011**

(30) **Foreign Application Priority Data**

Feb. 9, 2011	(EM)	001818691-0001
Feb. 9, 2011	(EM)	001818691-0003
Feb. 9, 2011	(EM)	001818691-0004
Aug. 3, 2011	(EM)	001900275-0001
Aug. 3, 2011	(EM)	001900275-0003

(51) **LOC (9) Cl.** **21-02**

(52) **U.S. Cl.**
USPC **D21/669**

(58) **Field of Classification Search** D21/662,
D21/668, 669, 688, 694; 482/5, 51, 52, 54,
482/100, 138, 200; 119/700
See application file for complete search history.

(56) **References Cited**

U.S. PATENT DOCUMENTS

D219,744 S *	1/1971	Hesen	D21/669
D280,002 S *	8/1985	Smith	D21/669
D282,386 S *	1/1986	Dealey et al.	D21/669
D321,734 S *	11/1991	Dunham et al.	D21/669

5,318,487 A *	6/1994	Golen et al.	482/5
D413,366 S *	8/1999	Husted et al.	D21/668
6,045,490 A *	4/2000	Shafer et al.	482/54
D437,900 S *	2/2001	Dick et al.	D21/669
D445,152 S *	7/2001	Wang et al.	D21/669
D447,780 S *	9/2001	Arnold et al.	D21/669
D579,992 S *	11/2008	Cesaroni	D21/694
7,815,549 B2 *	10/2010	Crawford et al.	482/52

FOREIGN PATENT DOCUMENTS

TW	D129025U01	6/2009
TW	D129025U02	6/2009

OTHER PUBLICATIONS

Taiwan Search Report dated Apr. 10, 2012.

* cited by examiner

Primary Examiner — Susan E Krakower

(74) *Attorney, Agent, or Firm* — Abelman, Frayne & Schwab

(57) **CLAIM**

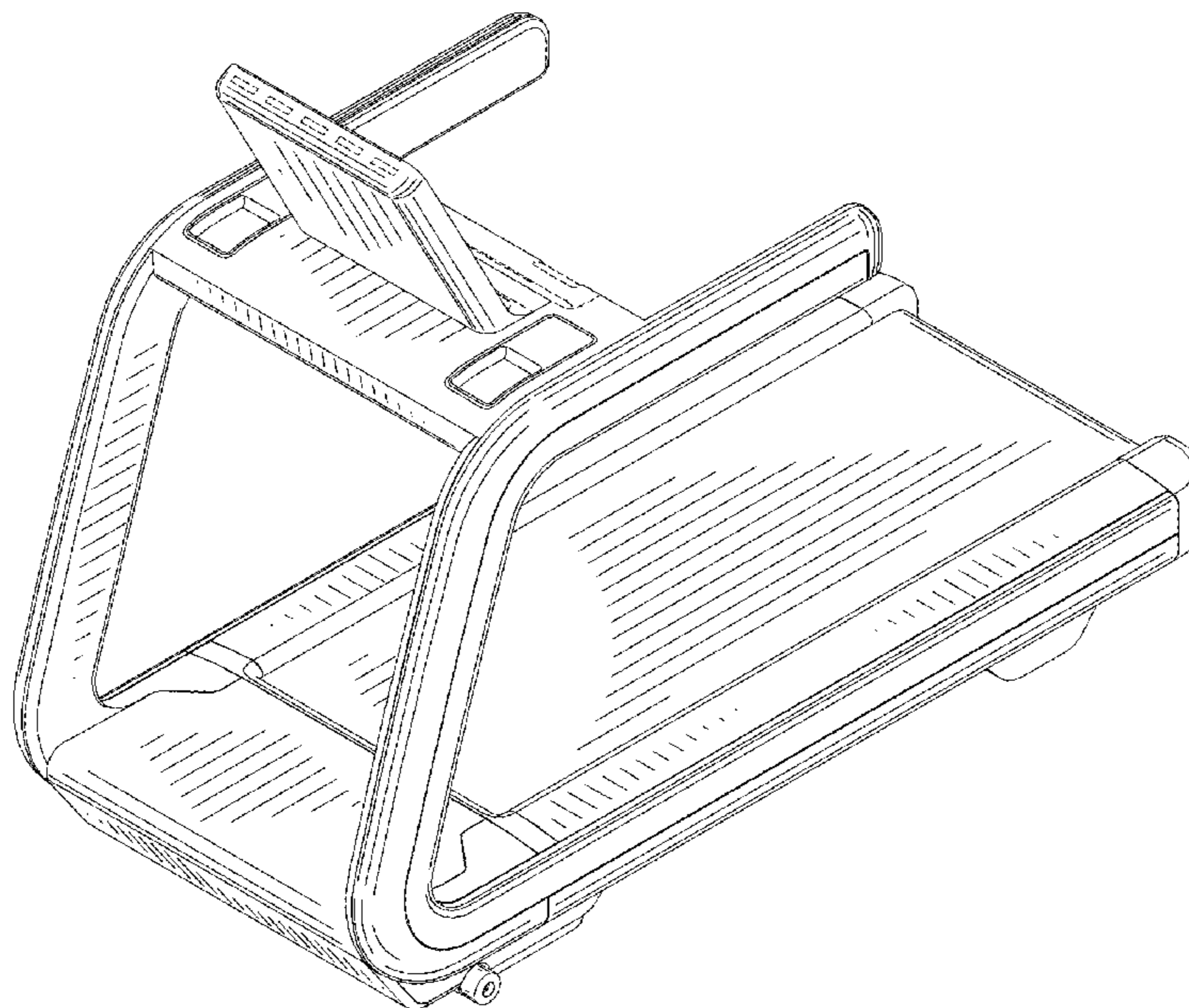
The ornamental design for an exercise device, as shown and described.

DESCRIPTION

FIG. 1 is a top, front, and left side perspective view of an exercise device, according to the present invention; FIG. 2 is a left side view of the exercise device of FIG. 1; FIG. 3 is a front view of the exercise device of FIG. 1; FIG. 4 is a right side view of the exercise device of FIG. 1; FIG. 5 is a rear view of the exercise device of FIG. 1; and, FIG. 6 is a top view of the exercise device of FIG. 1.

The bottom of the exercise device is flat and unornamented. The portions of the disclosure that are shown in broken lines form no part of the claimed design.

1 Claim, 6 Drawing Sheets



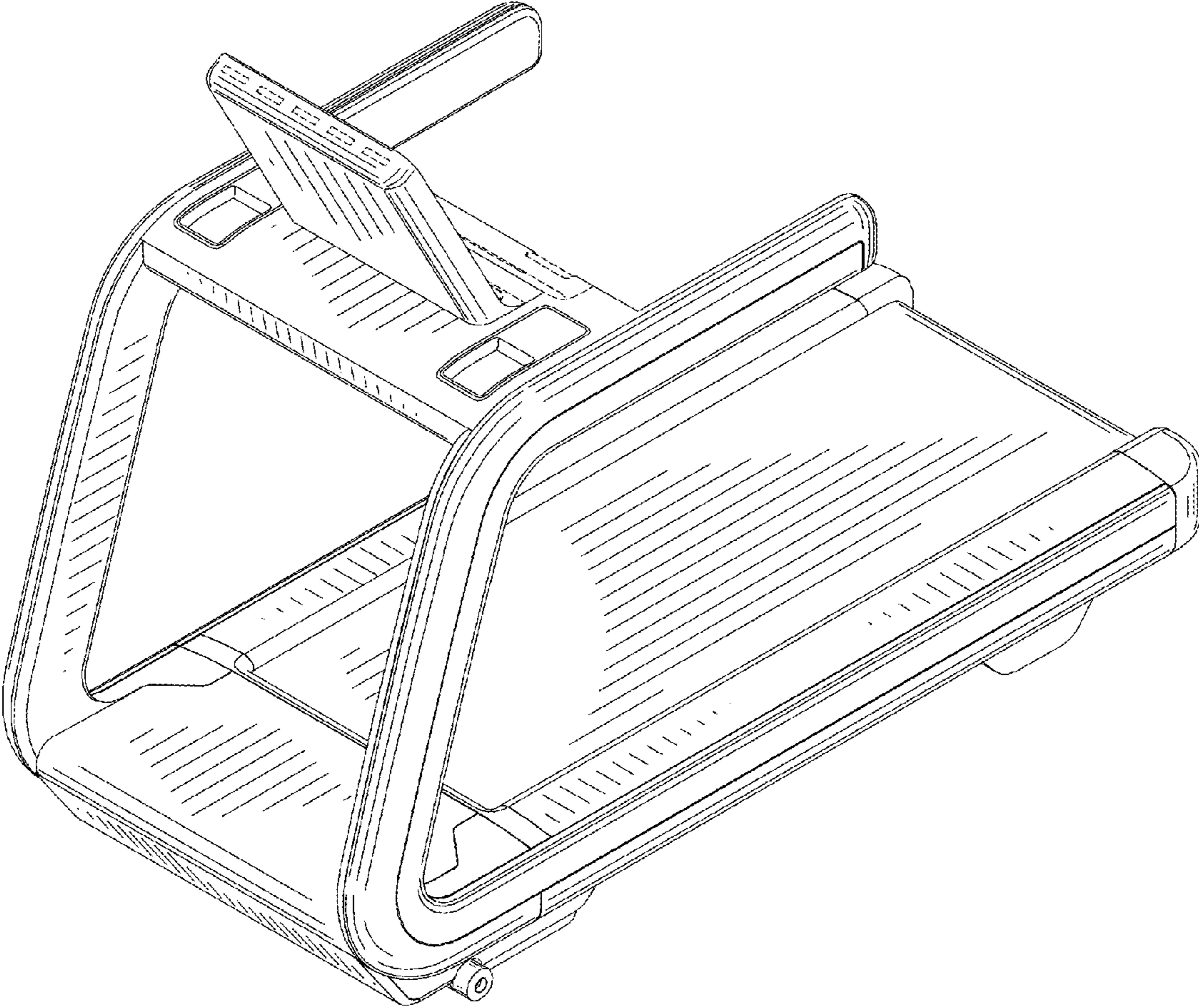


Fig. 1

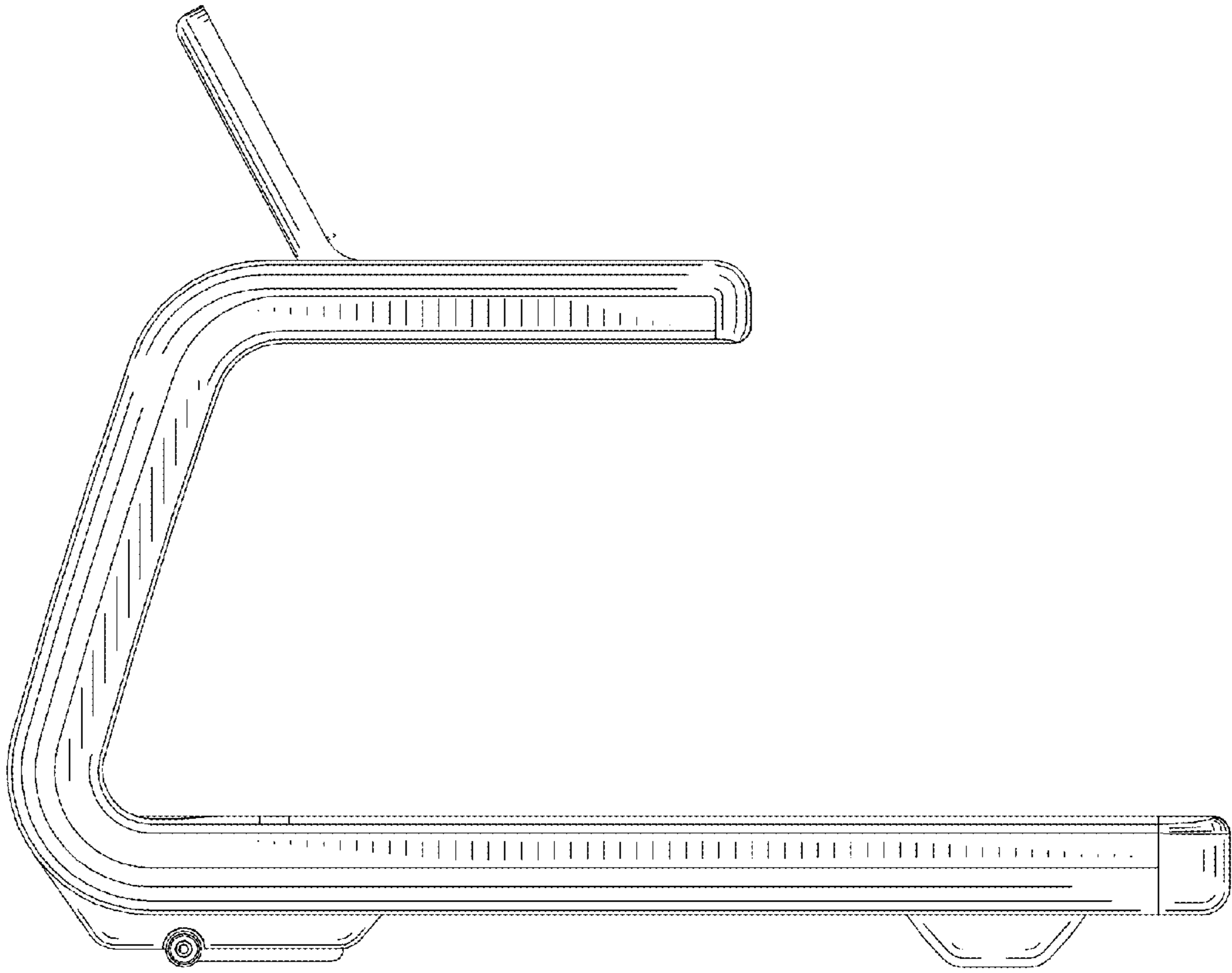


Fig. 2

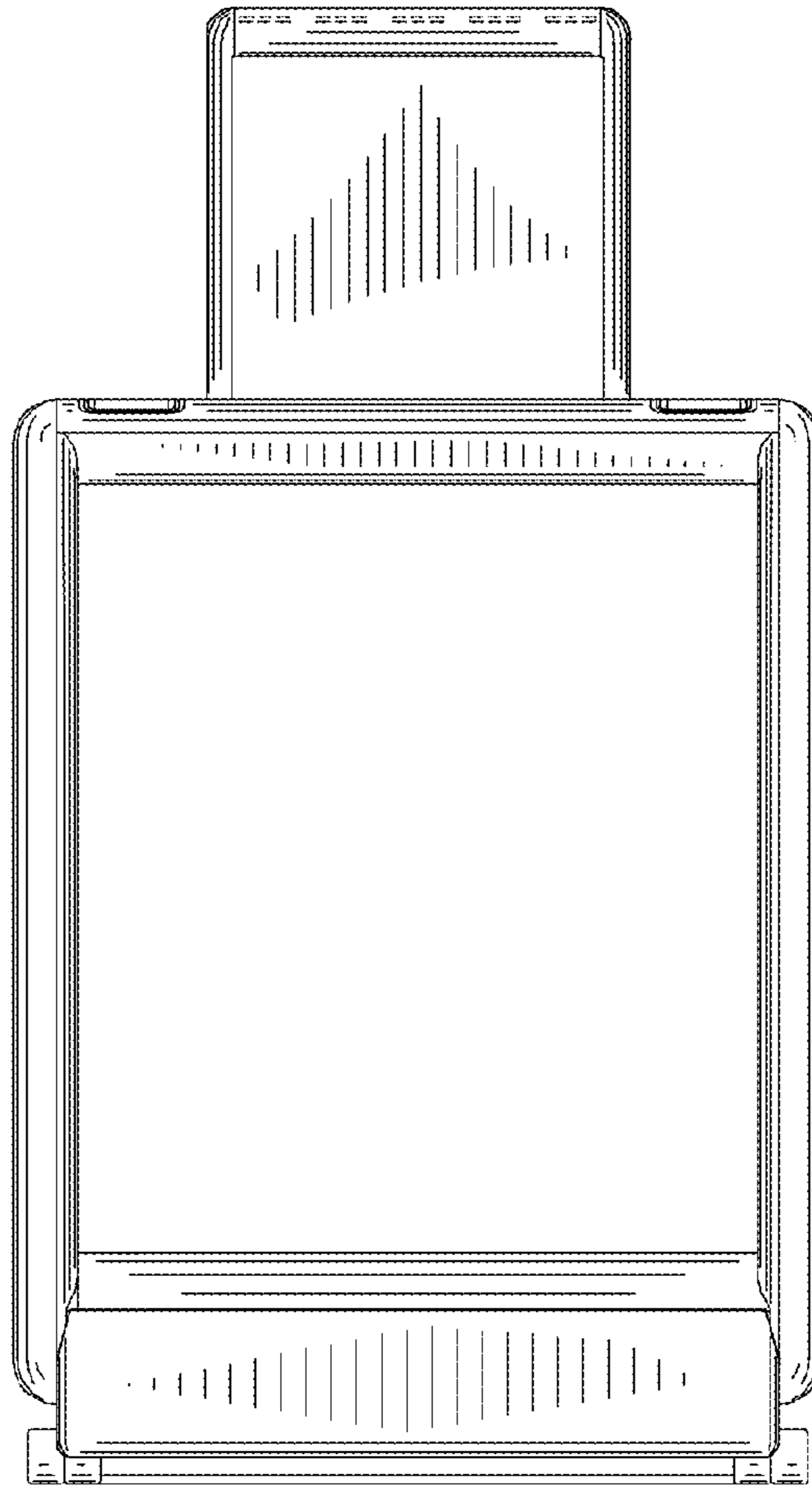


Fig. 3

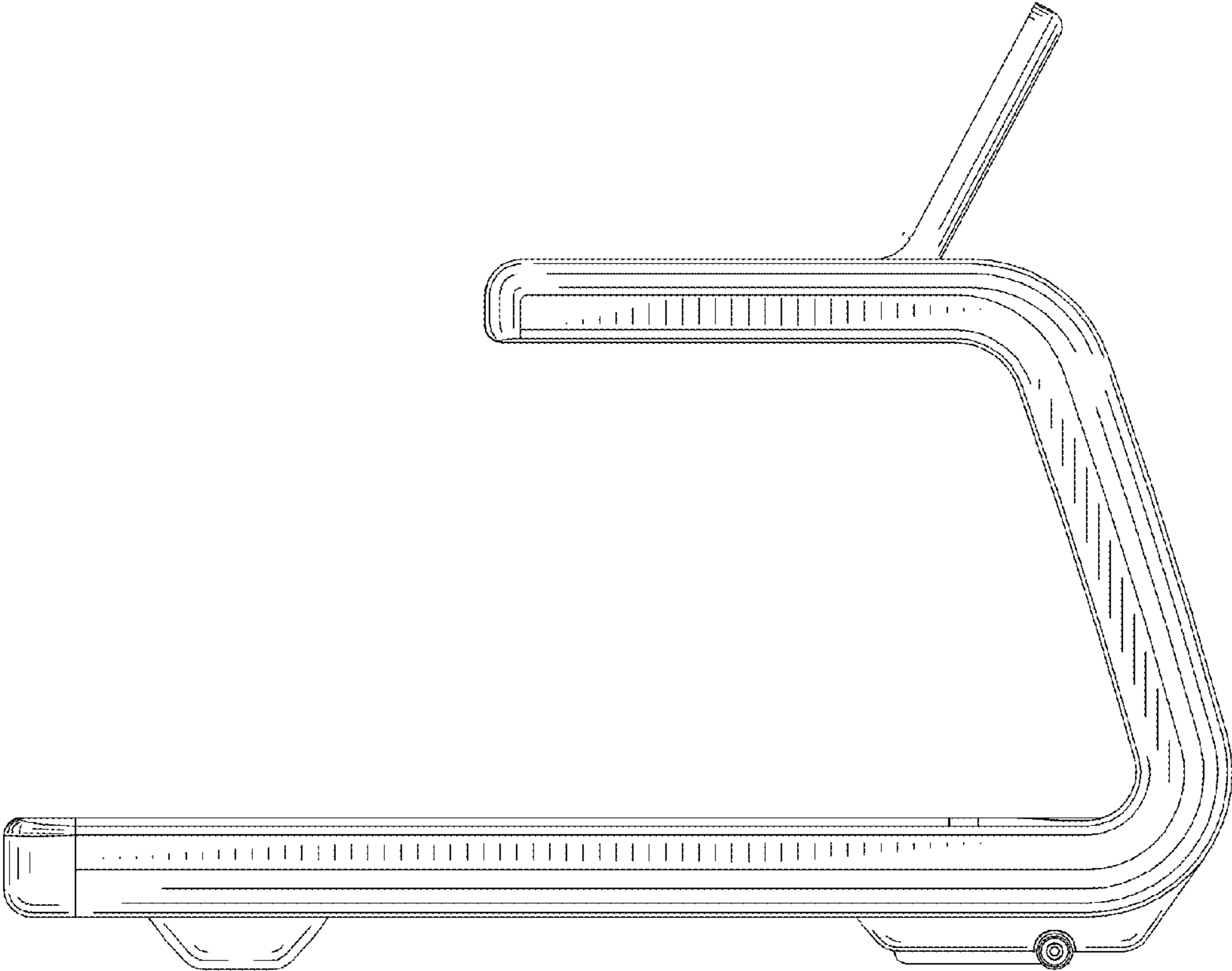


Fig. 4

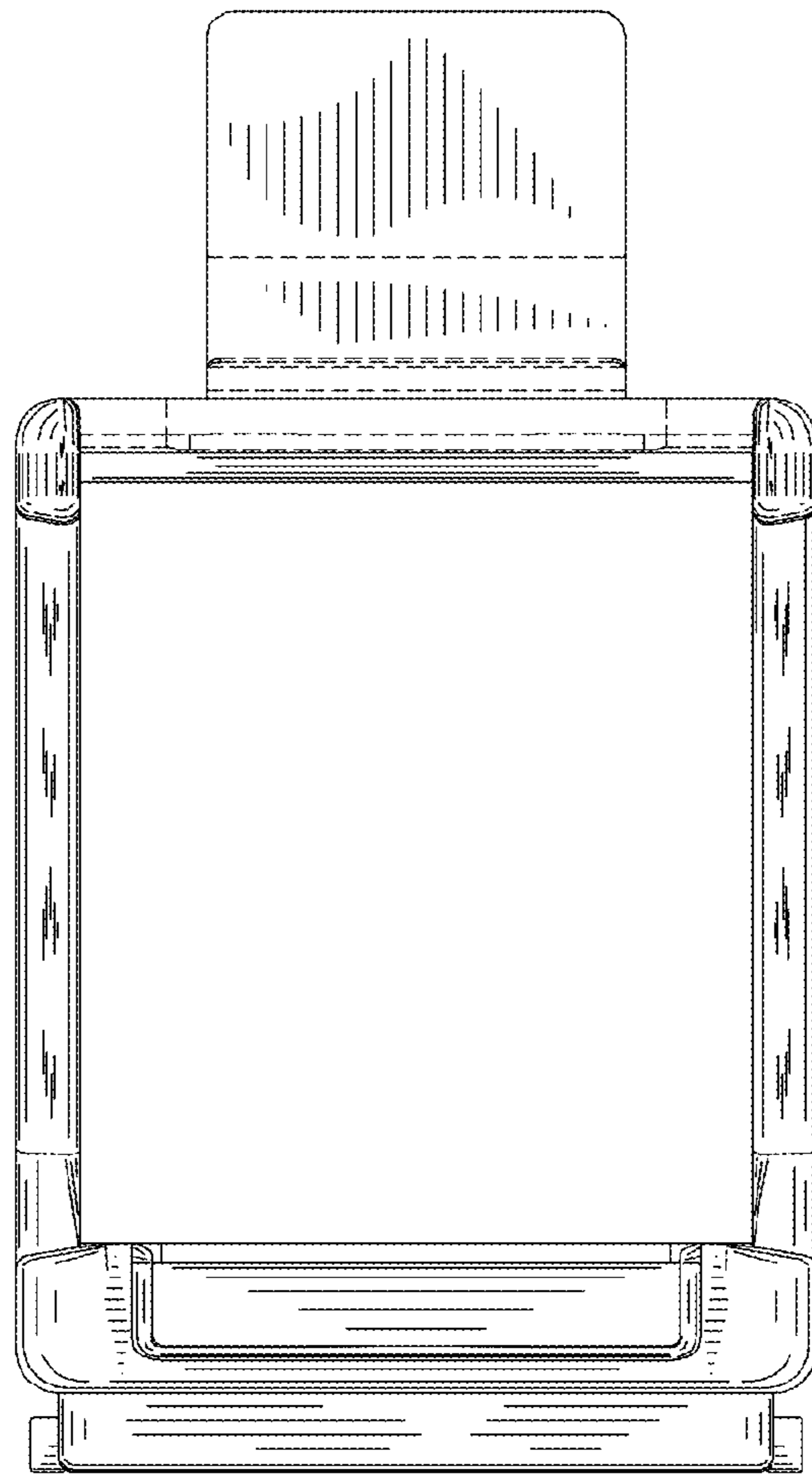


Fig. 5

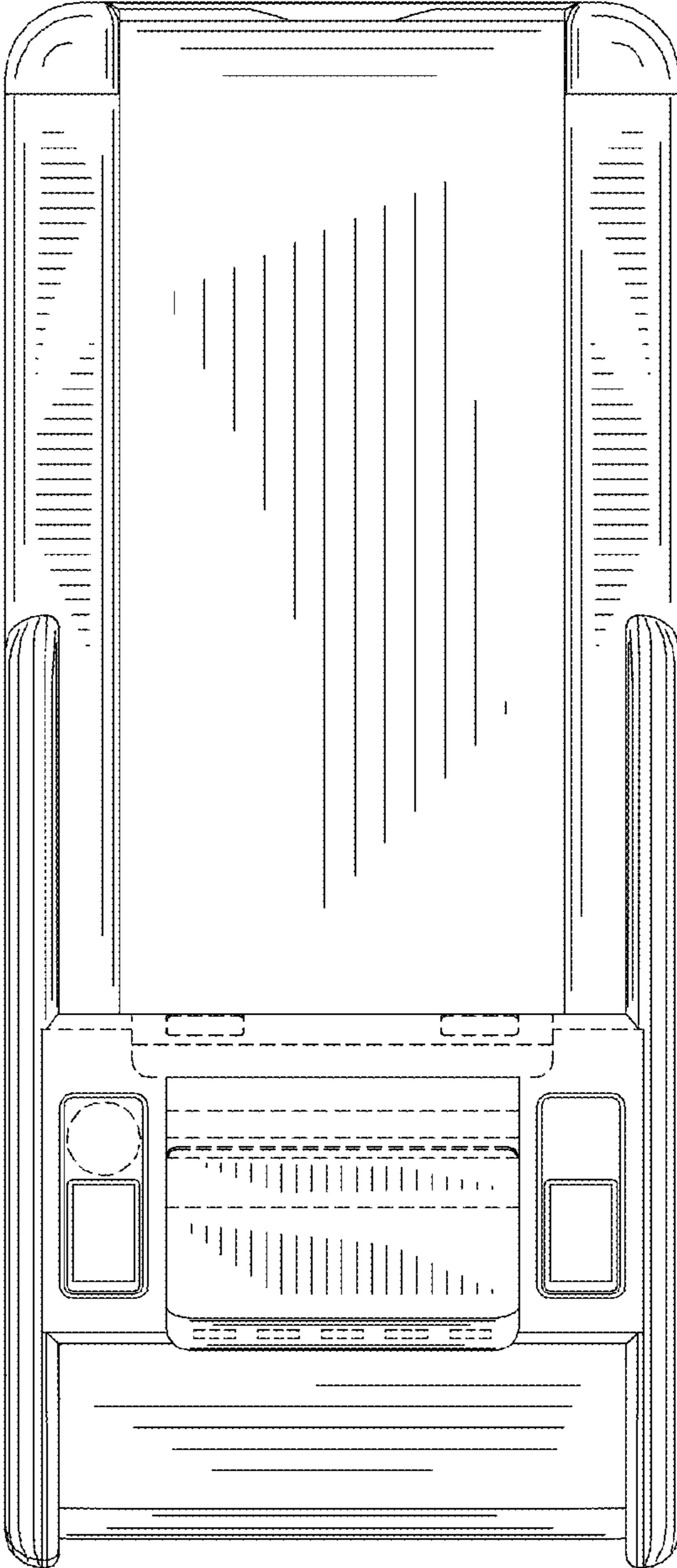


Fig. 6