



US00D682371S

(12) **United States Design Patent**
Baudhuin

(10) **Patent No.:** **US D682,371 S**

(45) **Date of Patent:** **** May 14, 2013**

(54) **EXERCISE BICYCLE**

(76) Inventor: **John R Baudhuin**, Venice, CA (US)

(**) Term: **14 Years**

(21) Appl. No.: **29/424,464**

(22) Filed: **Jun. 13, 2012**

Related U.S. Application Data

(62) Division of application No. 29/374,087, filed on Jun. 30, 2011.

(51) **LOC (9) Cl.** **21-02**

(52) **U.S. Cl.**
USPC **D21/667**

(58) **Field of Classification Search** D21/662-667,
D21/694, 697; 482/5, 6, 57-63, 903; 280/274,
280/275, 277, 281.1, 283, 288.2, 288.3; D12/111
See application file for complete search history.

(56) **References Cited**

U.S. PATENT DOCUMENTS

562,198 A	6/1896	Robinson
588,166 A	8/1897	McCoy
633,534 A	9/1899	Read
635,082 A	10/1899	Stiles
671,785 A	4/1901	Young et al.
1,336,774 A	4/1920	Cooper
1,507,554 A	9/1924	Cooper
1,636,327 A	7/1927	Roe
3,062,204 A	11/1962	Stefano
3,511,097 A	5/1970	Corwin
D251,747 S	5/1979	Valentine et al.
4,188,030 A	2/1980	Hooper
4,463,945 A	8/1984	Spector
D280,117 S	8/1985	Collins
D280,118 S	8/1985	Collins

4,577,860 A	3/1986	Matias
D284,596 S	7/1986	McNeil
D285,953 S	9/1986	Gustafsson
4,632,386 A	12/1986	Beech
D289,782 S	5/1987	Szymiski et al.
D291,462 S	8/1987	Aalto
D292,304 S	10/1987	Ostrom

(Continued)

FOREIGN PATENT DOCUMENTS

CN	301072944D	12/2009
WO	WO 96/25984	8/1996

OTHER PUBLICATIONS

BH Fitness, BH Fitness Products Indoor Cycling, G5 Ergo Tour, 2010, 2 pages.

(Continued)

Primary Examiner — Susan E Krakower

(74) *Attorney, Agent, or Firm* — Maceiko IP

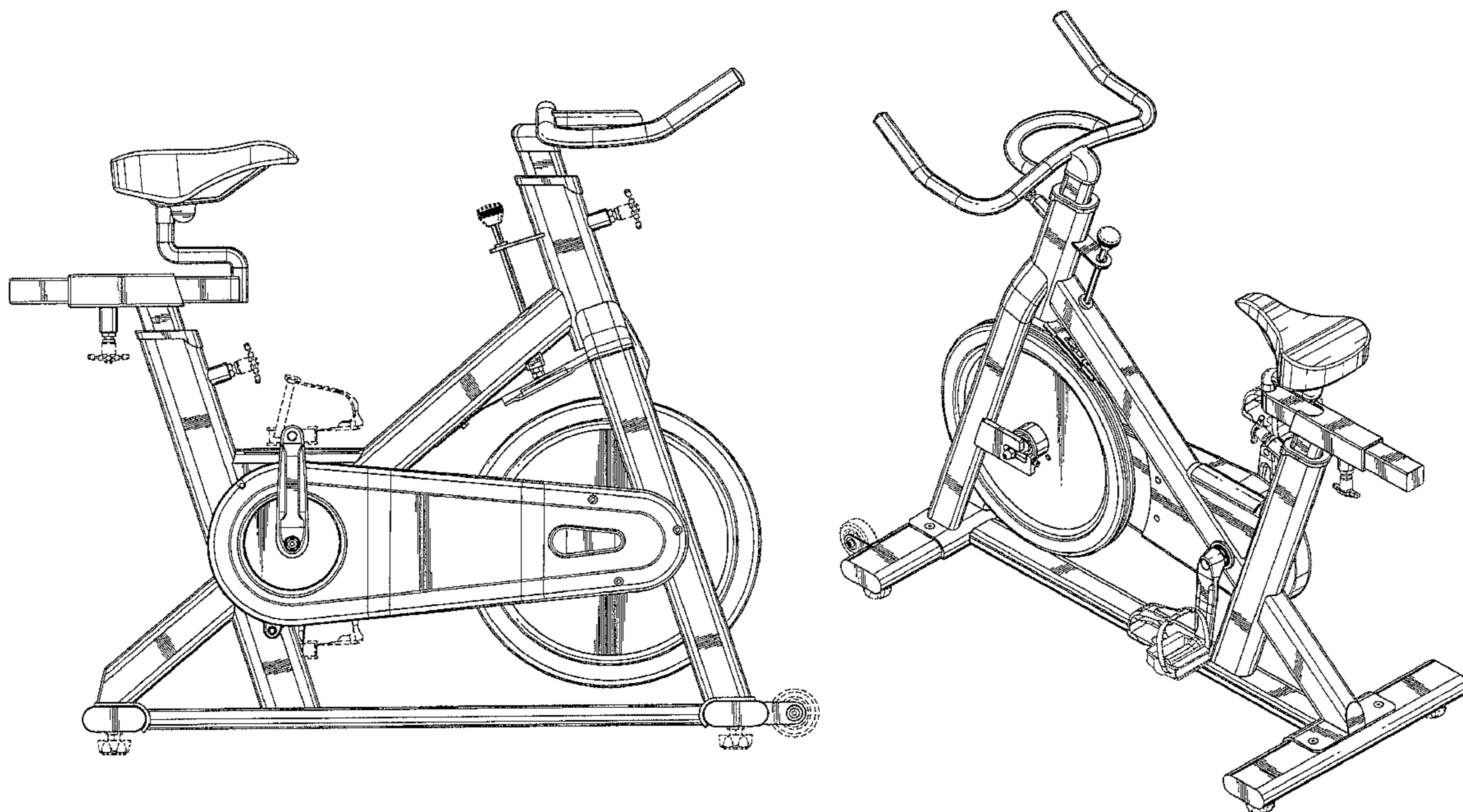
(57) **CLAIM**

The ornamental design for the exercise bicycle, as shown and described.

DESCRIPTION

FIG. 1 is a right side view of an exercise bicycle.
FIG. 2 is a left side view of an exercise bicycle.
FIG. 3 is a rear view of an exercise bicycle.
FIG. 4 is a front view of an exercise bicycle.
FIG. 5 is a bottom view of an exercise bicycle.
FIG. 6 is a top view of an exercise bicycle; and,
FIG. 7 is a left rear perspective view of an exercise bicycle.
The broken lines illustrate portions of the exercise bicycle which form no part of the claimed design.

1 Claim, 7 Drawing Sheets



U.S. PATENT DOCUMENTS

D296,457	S	6/1988	Anitua	
4,768,777	A	9/1988	Yang	
4,772,069	A	9/1988	Szymski	
D299,732	S	2/1989	Gustafsson	
4,824,102	A	4/1989	Lo	
4,880,225	A	11/1989	Lucas et al.	
4,902,001	A	2/1990	Balbo	
4,915,374	A	4/1990	Watkins	
4,936,570	A	6/1990	Szymski et al.	
5,000,469	A	3/1991	Smith	
5,145,477	A	9/1992	Han	
5,232,422	A	8/1993	Bishop, Jr.	
5,324,242	A	6/1994	Lo	
5,336,147	A	8/1994	Sweeney, III	
5,423,728	A	6/1995	Goldberg	
D372,284	S	7/1996	Wang et al.	
D380,796	S	7/1997	Wang et al.	
D382,924	S	8/1997	Wu	
D382,925	S	8/1997	Wu	
5,716,304	A	2/1998	Wang et al.	
D407,767	S	4/1999	Chang	
5,961,424	A	10/1999	Warner et al.	
D459,775	S	7/2002	Chen	
D460,133	S	7/2002	Baker	
D460,794	S	7/2002	Baker	
6,468,185	B1 *	10/2002	Goldberg	482/57
D465,818	S	11/2002	Goldberg	
D473,274	S	4/2003	Baudhuin et al.	
D473,602	S *	4/2003	Baudhuin et al.	D21/697
D474,252	S	5/2003	Lull et al.	
6,612,970	B2	9/2003	Forcillo	
6,669,603	B1 *	12/2003	Forcillo	482/57
6,881,178	B1 *	4/2005	Goldberg	482/57
D507,313	S	7/2005	Goldberg	
7,004,888	B1	2/2006	Weng	
D532,063	S *	11/2006	Kim et al.	D21/697
7,264,577	B2 *	9/2007	Lin	482/63
D571,417	S *	6/2008	Su	D21/667
7,419,458	B2	9/2008	Forcillo	
D579,989	S	11/2008	Bingham et al.	
D616,050	S	5/2010	Lull	
7,785,236	B1 *	8/2010	Lo	482/63
D636,449	S *	4/2011	Wu	D21/667
D649,203	S	11/2011	Zhang	
D649,204	S *	11/2011	Zhang	D21/667
8,052,581	B1	11/2011	Lohn et al.	
8,057,364	B2	11/2011	Goldberg	
D654,125	S	2/2012	van der Meer et al.	
2006/0234840	A1	10/2006	Watson et al.	
2007/0087910	A1 *	4/2007	Wang	482/57
2012/0088638	A1 *	4/2012	Lull	482/57

OTHER PUBLICATIONS

BH Fitness, BH Fitness Products Indoor Cycling, SB0, 2010, 2 pages.
 BH Fitness, BH Fitness Products Indoor Cycling, SB1, 2010, 2 pages.
 BH Fitness, BH Fitness Products Indoor Cycling, SB 1.0, 2010, 2 pages.
 BH Fitness, BH Fitness Products Indoor Cycling, SB2, 2010, 2 pages.
 BH North America, BH Fitness, SB2b, 2010, 4 pages.
 BH Fitness, BH Fitness Products Indoor Cycling, SB2.0, 2010, 2 pages.
 BH Fitness, BH Fitness Products Indoor Cycling, SB3 Magnetic, LCU Optional, 2010, 2 pages.
 BH Fitness, BH Fitness Products Indoor Cycling, SB3 Magnetic, LCU, 2010, 2 pages.
 BH North America, BH Fitness, SB4, 2008, 4 pages.
 2004 Spinning Catalog, Spinner Pro, 1 page.
 2006 Spinning Catalog, Spinner Sport, 1 page.
 2008 Spinning Catalog, Spinner Elite, 1 page.
 2008 Spinning Catalog, Spinner Pro, 1 page.
 2008 Spinning Catalog, Spinner Velo, 1 page.
 Body Bike International, Body Bike Indoor Cycles, Classic, 2008.

Body Bike International, Body Bike Indoor Cycles, Classic Stainless Steel, 2008.
 Body Bike International, Body Bike Indoor Cycles, Classic Supreme, 2008.
 Body Bike International, Body Bike Indoor Cycles, Premium HBS, 2008.
 Body Cycle, Avenger, Jan. 27, 2003.
 Cycleops Power, Club Pro 300PT, 2008.
 Espresso Fitness, Espresso Bikes, The Technology, 2008 IHRSA.
 Fitness Industry Technology, Schwinn A.C. Performance Series, 2010 IHRSA.
 Fitness Masters, Inc., Xmomentum, Sep. 17, 2007.
 Fitness Masters, Inc., Xvelocity, Sep. 17, 2007.
 BH Fitness, BH Fitness Products Indoor Cycling, Spada GSG, 2010, 2 pages.
 BH Fitness, BH Fitness Products Indoor Cycling, Spada Magnetic, 2010, 2 pages.
 BH North America, Bladez/Ion Fitness Bikes, Aeropro, 2010, 2 pages.
 BH North America, Bladez Fitness Bikes, Agility, 2010, 2 pages.
 BH North America, Bladez/Ion Fitness Bikes, Ascent, 2010, 2 pages.
 BH North America, Bladez/Ion Fitness Bikes, Countdown, 2010, 3 pages.
 BH North America, Bladez Fitness Bikes, Evora, 2010, 2 pages.
 BH North America, Bladez/Ion Fitness Bikes, Fusion, 2010, 2 pages.
 BH North America, Bladez/Ion Fitness Bikes, Jet Bike, 2010, 2 pages.
 BH North America, Bladez/Ion Fitness Bikes, Jet Bike GS, 2010, 2 pages.
 Lemond Fitness, Inc., LeMond RevMaster, 2008, 2 pages.
 Lemond Fitness, Inc., LeMond RevMaster, Jan. 29, 2003, 2 pages.
 Lemond Fitness, Inc., RevMaster, 2007, 1 page.
 Lemond Fitness, Inc., RevMaster Pilot, May 27, 2004, 1 page.
 Lifecore Fitness, LC-ST, 2008, 2 pages.
 Life Fitness, Jan. 15, 2008, 1 page.
 Lime Pro-Equipment, S1.0, 2008, 3 pages.
 Mad Dogg Athletics, Inc., Spinner NXT, 2008, 1 page.
 Mad Dogg Athletics, Inc., Spinner Pro, 2008, 1 page.
 Mad Dogg Athletics, Inc., Spinner Velo, 2008, 1 page.
 Multisports, EnduroCycle, ENC-3605 / Y, 2007.
 Multisports, EnduroCycle, ENC-420SL / YL, 2007.
 Multisports, EnduroCycle, ENC-500B / S, 2007.
 Multisports, EnduroCycle, ENC-600NL / YL, 2007.
 Multisports, EnduroCycle, ENC-620L, 2007.
 Multisports, EnduroCycle, ENC-650CL / SL, 2007.
 Multisports, EnduroCycle, ENC-660CL, 2007.
 Nautilus Schwinn Fitness, Evolution Series, 2008.
 Nautilus Schwinn Fitness, IC Pro Series, 2008.
 Nautilus Schwinn Fitness, IC Elite Series, 2008.
 Mad Dogg Athletics, Inc., Spinning, Your Guide to Ride pamphlet, 2008 IHRSA, 4 pages.
 Matrix Fitness Indoor Cycling, S-Series LS, 2009.
 Matrix Fitness Indoor Cycling, E-Series LS, 2009.
 Matrix Fitness Indoor Cycling, MyRide, 2009.
 Matrix Fitness Systems, Tomahawk E-Series, 2008.
 Matrix Fitness Systems, Tomahawk S-Series, 2008.
 Millenium Fitness International, BodyCycle, 2003, 1 page.
 Motus, Motus Fusion Group, 2008, 1 page.
 Motus, Motus NRG Group, 2008, 1 page.
 Multisports, EnduroCycle, ENC-200N, 2007.
 www.ssgecom.com, Keys Ironman 112M Spinner Bike, Feb. 23, 2006, 2 pages.
 www.ssgecom.com, StarTrac V-Bike, Feb. 23, 2006, 1 page.
 www.tomahawk.de, XL Bike, 2003, 1 page.
 www.tomahawk.de, XXL Bike, 2003, 1 page.
 www.tomahawk.de, XXL 1, 2003, 1 page.
 www.tomahawk.de, XXL 2, 2003, 1 page.
 www.tomahawk.de, XXL 3, 2003, 1 page.
 www.tomahawk.de, Ice, 2003, 1 page.
 www.trixter.net, Trixter X-600, Mar. 28, 2008, 1 page.
 www.trixter.net, Trixter Bikes X-400, Mar. 28, 2008, 1 page.
 www.trixter.net, Trixter Bikes X-800, Mar. 28, 2008, 1 page.
 www.trixter.net, Trixter Bikes X-1000, Mar. 28, 2008, 1 page.

- www.trixter.net, Trixter X-Bike 1000, Mar. 28, 2008, 1 page.
 www.x-biking.com, Trixter X Bike 600, Mar. 28, 2008, 2 pages.
 www.x-biking.com, X Bike 400 Trixter, Jan. 2008, 1 page.
 www.x-biking.com, X Bike 800 Trixter, Jan. 2008, 1 page.
 www.x-biking.com, X Bike 1000 Trixter, Sep. 17, 2007, 1 page.
 BHfitness, BH Fitness Products Indoor Cycling, Duke, 2010, 2 pages.
 BH Fitness, BH Fitness Products Indoor Cycling, Duke Electronic, 2010, 2 pages.
 BH Fitness, BH Fitness Products Indoor Cycling, Duke Magnetic, 2010, 2 pages.
 BH North America, Bladez/Ion Fitness Bikes, KZ1, 2010, 2 pages.
 BH North America, Bladez/Ion Fitness Bikes, Master, 2010, 2 pages.
 BH North America, Bladez/Ion Fitness Bikes, Spinpower, 2010, 1 page.
 BH North America, Bladez/Ion Fitness Bikes, Sprintwinner, 2010, 2 pages.
 BH North America, Bladez/Ion Fitness Bikes, SX Pro, 2010, 2 pages.
 BH North America, Bladez/Ion Fitness Bikes, Velopro-US, 2010, 2 pages.
 1999 Spinning Catalog, Johnny G. Spinner Elite, 1 page.
 1999 Spinning Catalog, Johnny G. Spinner Pro, 1 page.
 1999 Spinning Catalog, Johnny G. Spinner Special Edition, 1 page.
 2002 Spinning Catalog, Johnny G. Spinner Elite, 1 page.
 Fitness Outlet.com, Reebok Studio Cycle, Jan. 29, 2003, 1 page.
 Healthcare International, Navigator, 2008, 1 page.
 Healthstyleexercise.com, Reebok Studio Cycle C, Feb. 3, 2003, 1 page.
 Hydorider, AquaBike Easy Line, 2008, 1 page.
 Hydorider, AquaBike Professional, 2008, 2 pages.
 Ironman, 2007, 1 page.
 Kettler, ergoracer gt, Sep. 17, 2007, 1 page.
 Kettler, speed pro, Sep. 17, 2007, 1 page.
 KHS Bicycles, Spnergy, Mar. 31, 2006, 1 page.
 Lemond Fitness, Inc., g-force ut, 2008, 1 page.
 Nautilus Schwinn Fitness, Schwinn A.C. Performance, 2009.
 Nautilus Schwinn Fitness, Schwinn A.C. Sport, 2009.
 Nautilus Schwinn Fitness, Schwinn A.C. Classic, 2009.
 Nautilus Schwinn Fitness, Schwinn IC Pro, 2009.
 Power-Lift, Spin Bike—PLSPIN, 2008, 1 page.
 Realryder International LLC, RealRyder ABF7, 2008, 1 page.
 Reebok, Studio Cycle, 1996, 1 page.
 Schwinn IC Bikes, Schwinn Indoor Cycling, New IC Pro/Elite, Mar. 2002 IHRSA Show.
 Schwinn IC Bikes, Schwinn Indoor Cycling, New Smart Release (IC Elite Model), Mar. 2002 IHRSA Show.
 Schwinn Fitness, Evolution, 2004.
 Technogym, 2009, 1 page.
 Willygoat Home & Outdoor, 112M Spin Bike, Jan. 11, 2008, 1 page.
 www.cdn.overstock.com, Stamina CPS 9200, Feb. 16, 2009, 1 page.
 www.exercisebikes.com, Aristo Commercial CS2 Indoor Cycle Trainer, Apr. 9, 2012, 1 page.
 www.indoorcycling.com, Tomahawk, May 19, 2009, 1 page.
 www.indoorcycling.com, My Ride, May 19, 2009, 1 page.
 www.schwinnfitness.com, DX900 Upright Bike, Aug. 25, 2004, 1 page.
 www.spin-bikes.com, Pro-100, Apr. 15, 2006, 1 page.
 www.spinning.com, Spinner Elite, 2008, 1 page.
 www.spinning.com, Spinner V, 2008, 1 page.
 1984 Fitness Range From Pan's World, Folding Cycle III, PA-301A.
 1984 Fitness Range From Pan's World, Exerciser, PA-302.
 1984 Fitness Range From Pan's World, Home Cycle, PA 303.
 1984 Fitness Range From Pan's World, Swing Exercise Bike, PA-304.
 1984 Fitness Range From Pan's World, Exercise Bike, PA-305.
 1984 Fitness Range From Pan's World, Exerciser, PA-306.
 BH Fitness, The Duke, Sep. 17, 2007.
 BH Fitness, SB2 Pro, Jan. 11, 2008.
 Bicycling, Nov. 1989.
 Body Bike International, Body Bike Indoor Cycles, Basic, 2008.
 Spinfitness Product Catalog, Spinner NXT, 2009, 1 page.
 Spinfitness Product Catalog, Spinner Pro, 2009, 1 page.
 Spinfitness Product Catalog, Spinner Sport, 2009, 1 page.
 Spinfitness Product Catalog, Spinner V, 2009, 1 page.
 Spinfitness Product Catalog, Spinner Velo, 2009, 1 page.
 Stamina, CPS 9200, Feb. 13, 2009, 1 page.
 Stamina, CPS 9200 Indoor Cycle, Sep. 29, 2010, 1 page.
 Star Trac, eSpinner, 2008, 2 pages.
 Star Trac, V-Bike, Owner's Manual cover page, Mar. 26, 2003, 1 page.
 Summit Cycles, Summit, 2003, 1 page.
 Schwinn Fitness, Evolution-SR, 2004.
 Schwinn Fitness, IC Pro, 2004.
 Schwinn Fitness, IC Elite, 2004.
 Schwinn Fitness Equipment, Johnny G. Spinner, 1995-1996, 1 page.
 Schwinn Fitness Equipment, DX900, 1995-1996, 1 page.
 Schwinn Fitness Equipment, Personal Trainer 105, 1995-1996, 1 page.
 Shokk USA, Shokk, 2008 IHRSA, 1 page.
 Spinfitness Product Catalog, eSpinner, 2009, 1 page.
 Spinfitness Product Catalog, Spinner Elite, 2009, 1 page.
 Spinfitness Product Catalog, Spinner Fit, 2009, 1 page.

* cited by examiner

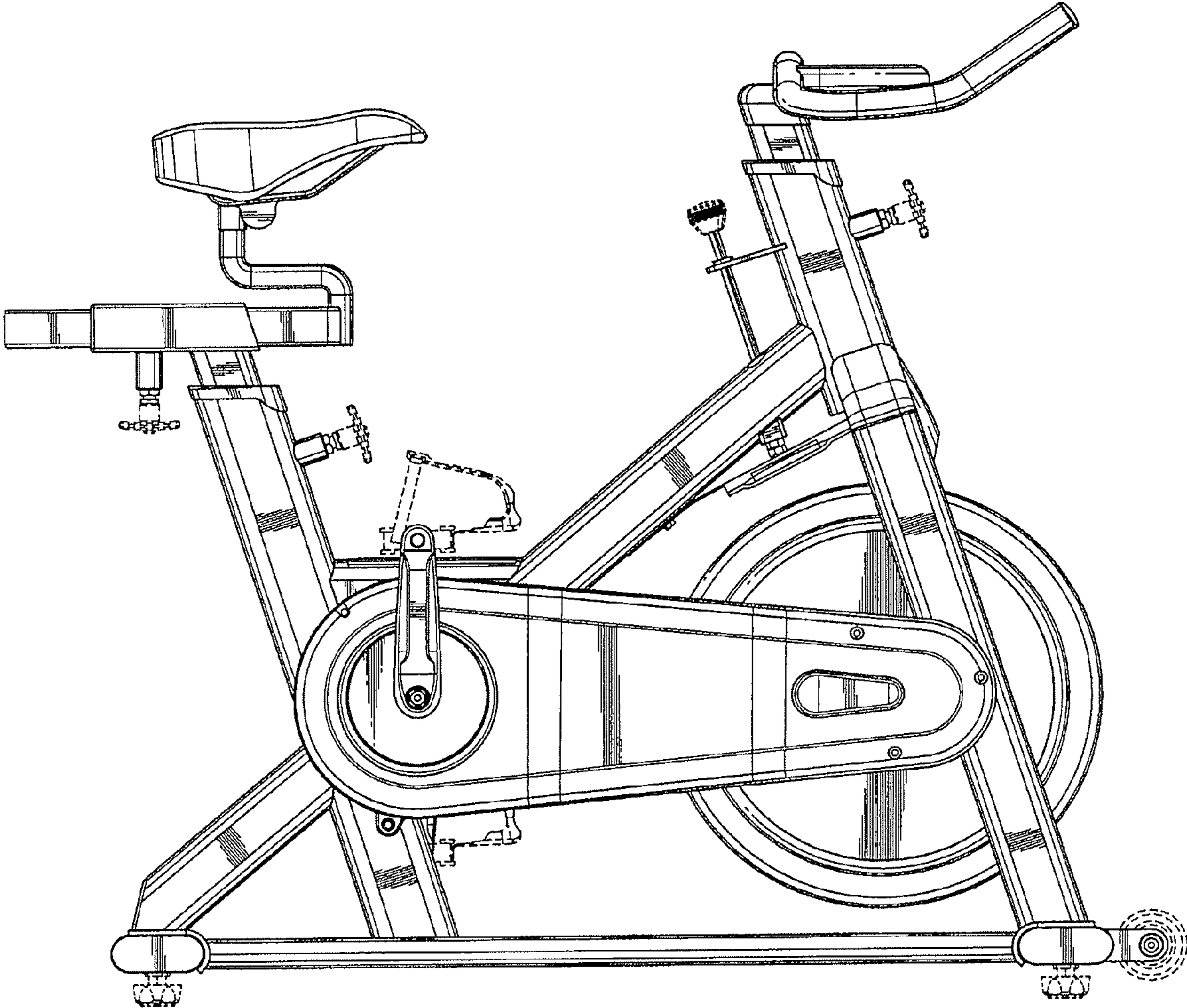


FIG. 1

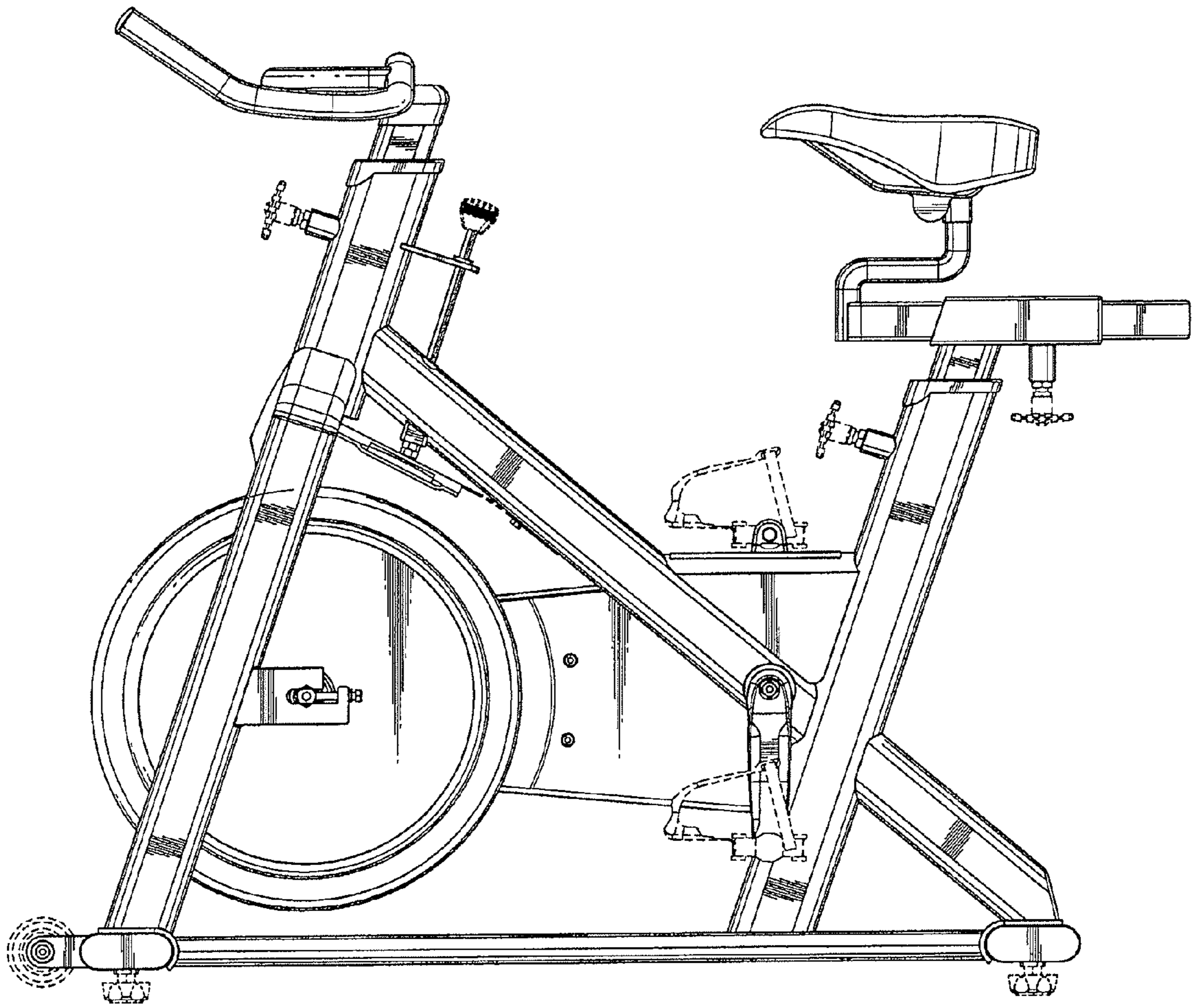


FIG. 2

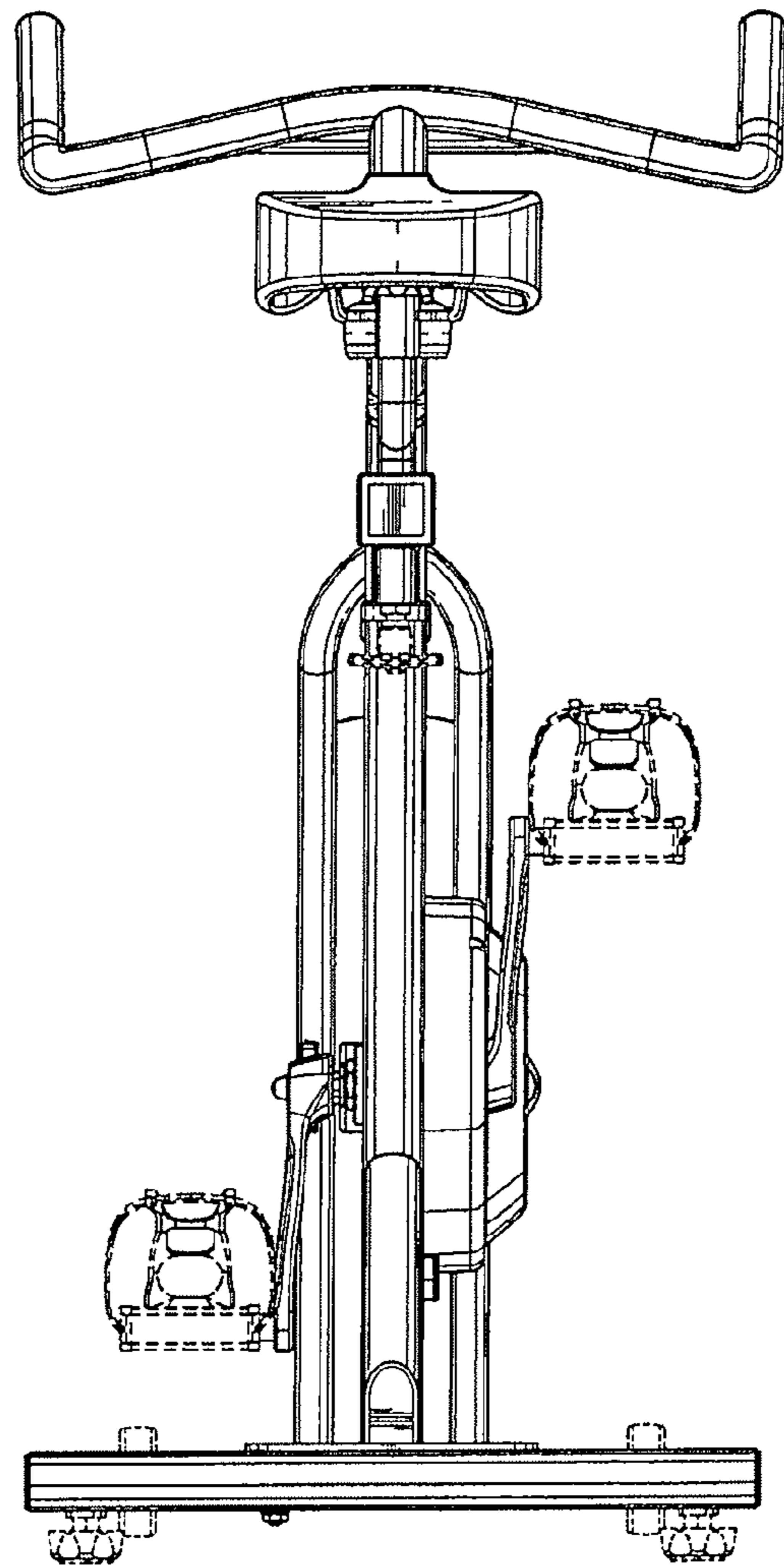


FIG. 3

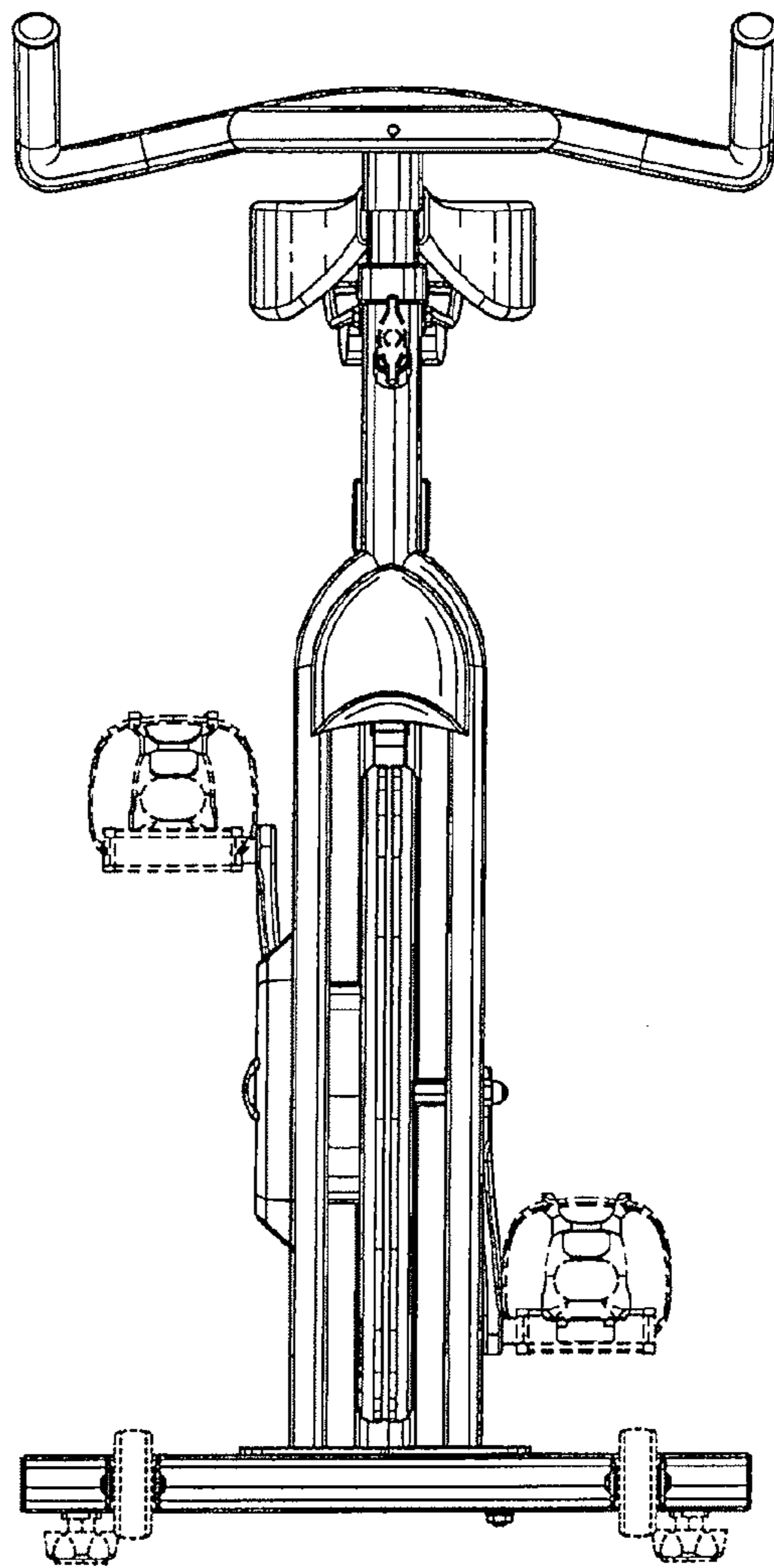


FIG. 4

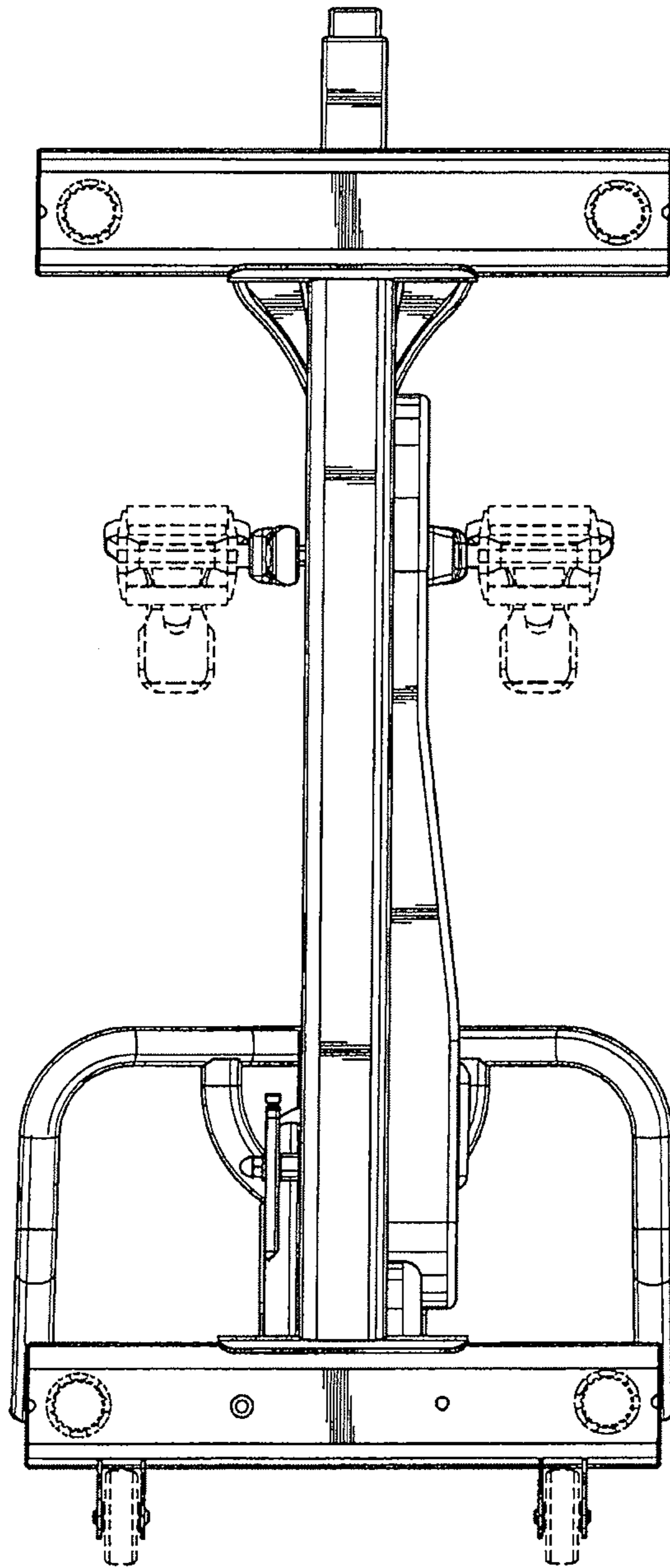


FIG. 5

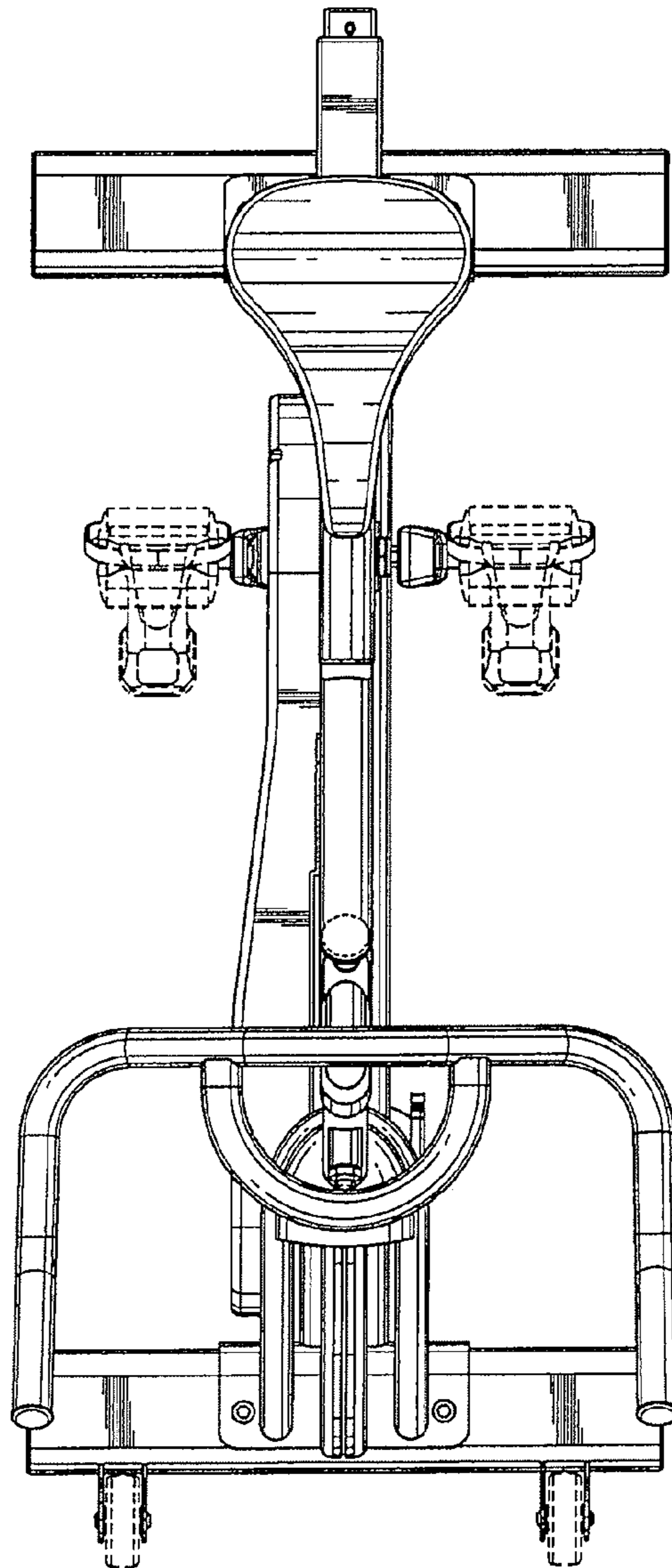


FIG. 6

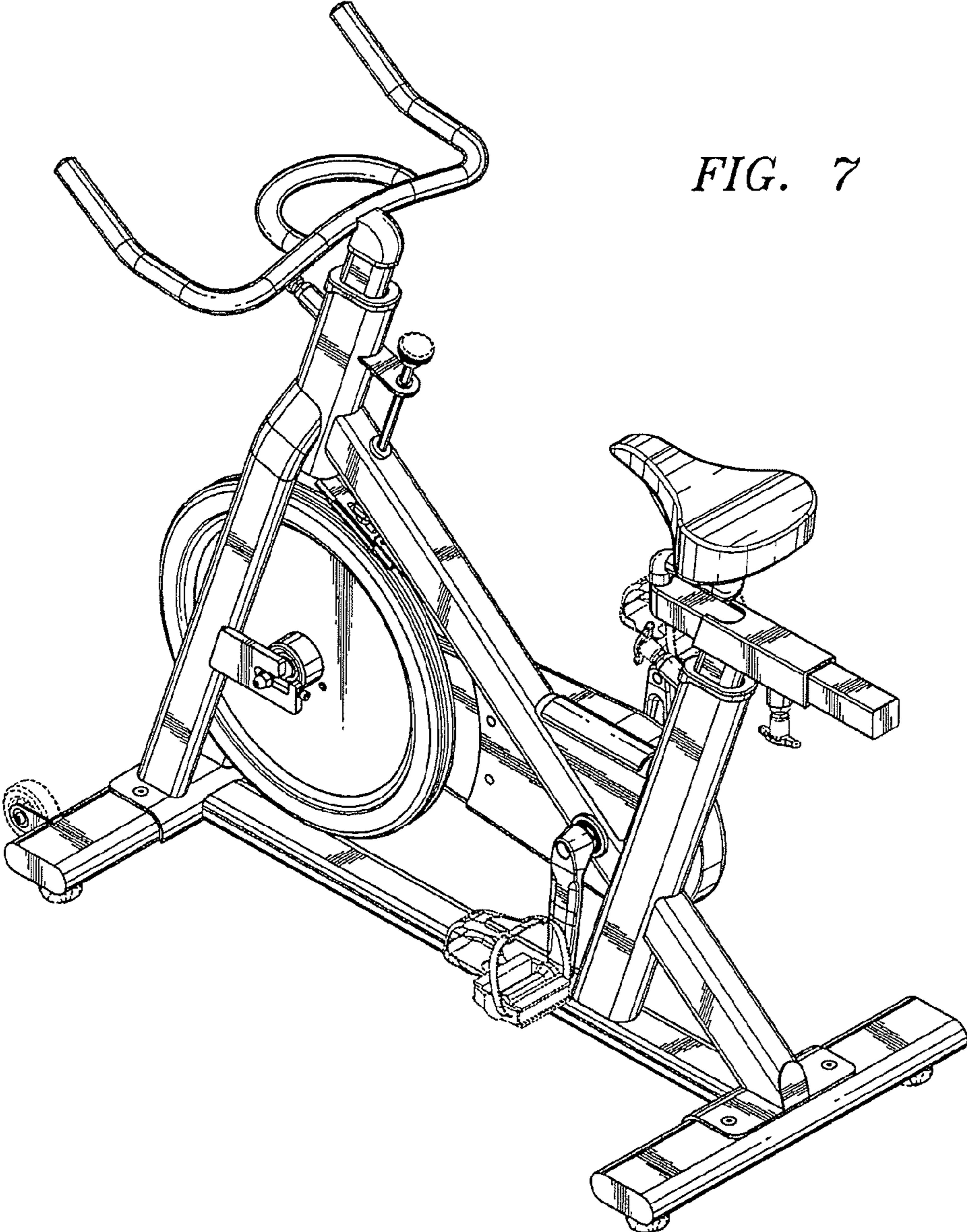


FIG. 7