



US00D682368S

(12) **United States Design Patent**  
**Mimlitch, III et al.**

(10) **Patent No.:** **US D682,368 S**

(45) **Date of Patent:** **\*\* May 14, 2013**

(54) **ROBOTIC TOY CATERPILLAR**

(75) Inventors: **Robert H. Mimlitch, III**, Rowlett, TX (US); **David Anthony Norman**, Greenville, TX (US); **Douglas Michael Galletti**, Allen, TX (US); **Gregory Needel**, Rockwall, TX (US)

(73) Assignee: **Innovation First, Inc.**, Greenville, TX (US)

(\*\*) Term: **14 Years**

(21) Appl. No.: **29/413,333**

(22) Filed: **Feb. 14, 2012**

(51) **LOC (9) Cl.** ..... **21-01**

(52) **U.S. Cl.**  
USPC ..... **D21/650**; D21/578

(58) **Field of Classification Search** ..... D6/598;  
D11/158; D21/576-578, 584-588, 650;  
D30/160; 446/72, 97-98, 268-269  
See application file for complete search history.

(56) **References Cited**

U.S. PATENT DOCUMENTS

D164,549 S *	9/1951	Brice	.....	D21/650
D328,393 S *	8/1992	Spavold	.....	D21/650
D409,037 S *	5/1999	Bear	.....	D6/598
5,993,286 A *	11/1999	Tacquard et al.	.....	446/351
D450,791 S *	11/2001	Grimm et al.	.....	D21/650
D464,685 S *	10/2002	Weiser et al.	.....	D21/650
D484,199 S *	12/2003	Weiser	.....	D21/650
D518,532 S *	4/2006	Weiser et al.	.....	D21/650

D555,213 S *	11/2007	Bowen et al.	.....	D21/578
D621,888 S *	8/2010	Rappaport-Rowan	.....	D21/650
D645,526 S *	9/2011	Norman et al.	.....	D21/650
D645,914 S *	9/2011	Norman et al.	.....	D21/650
D645,915 S *	9/2011	Norman et al.	.....	D21/650
D667,512 S *	9/2012	Mimlitch et al.	.....	D21/650
D669,140 S *	10/2012	Mimlitch et al.	.....	D21/650

\* cited by examiner

*Primary Examiner* — Sandra Morris

(74) *Attorney, Agent, or Firm* — Adam K. Sacharoff

(57) **CLAIM**

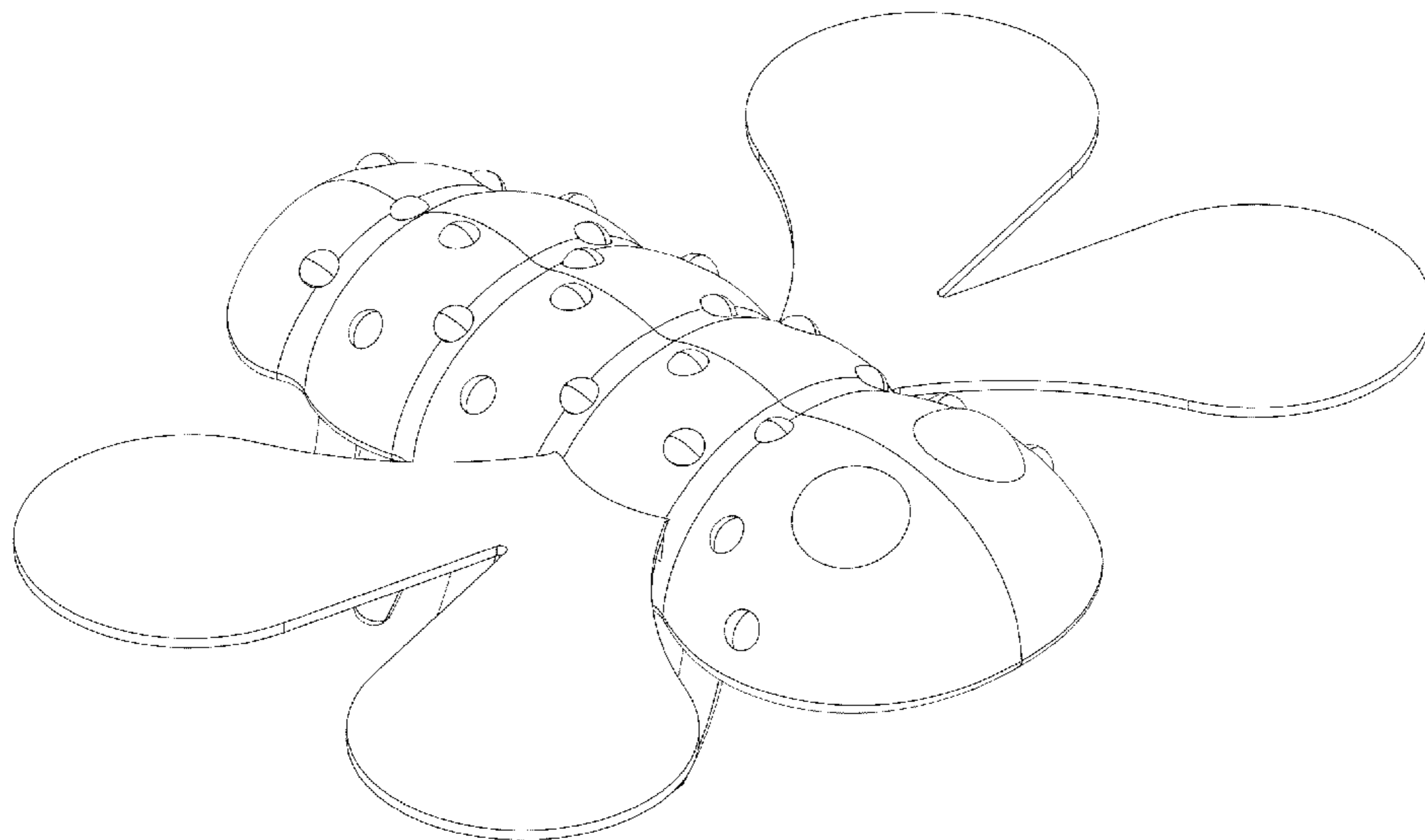
The ornamental design for a robotic toy caterpillar, as shown and described.

**DESCRIPTION**

FIG. 1 is a top perspective view showing a first embodiment of the robotic toy caterpillar;  
FIG. 2 is a top side view of FIG. 1;  
FIG. 3 is a bottom side view of FIG. 1;  
FIG. 4 is a front side view of FIG. 1;  
FIG. 5 is a back side view of FIG. 1;  
FIG. 6 is a left side view of FIG. 1;  
FIG. 7 is a right side view of FIG. 1;  
FIG. 8 is a bottom perspective view of FIG. 1 with sectional line 9; and,  
FIG. 9 is a cross sectional view of FIG. 8 across sectional line 9.

The broken lines are for the purpose of illustrating portions of the environmental structure and forms no part of the claimed embodiment and design.

**1 Claim, 9 Drawing Sheets**



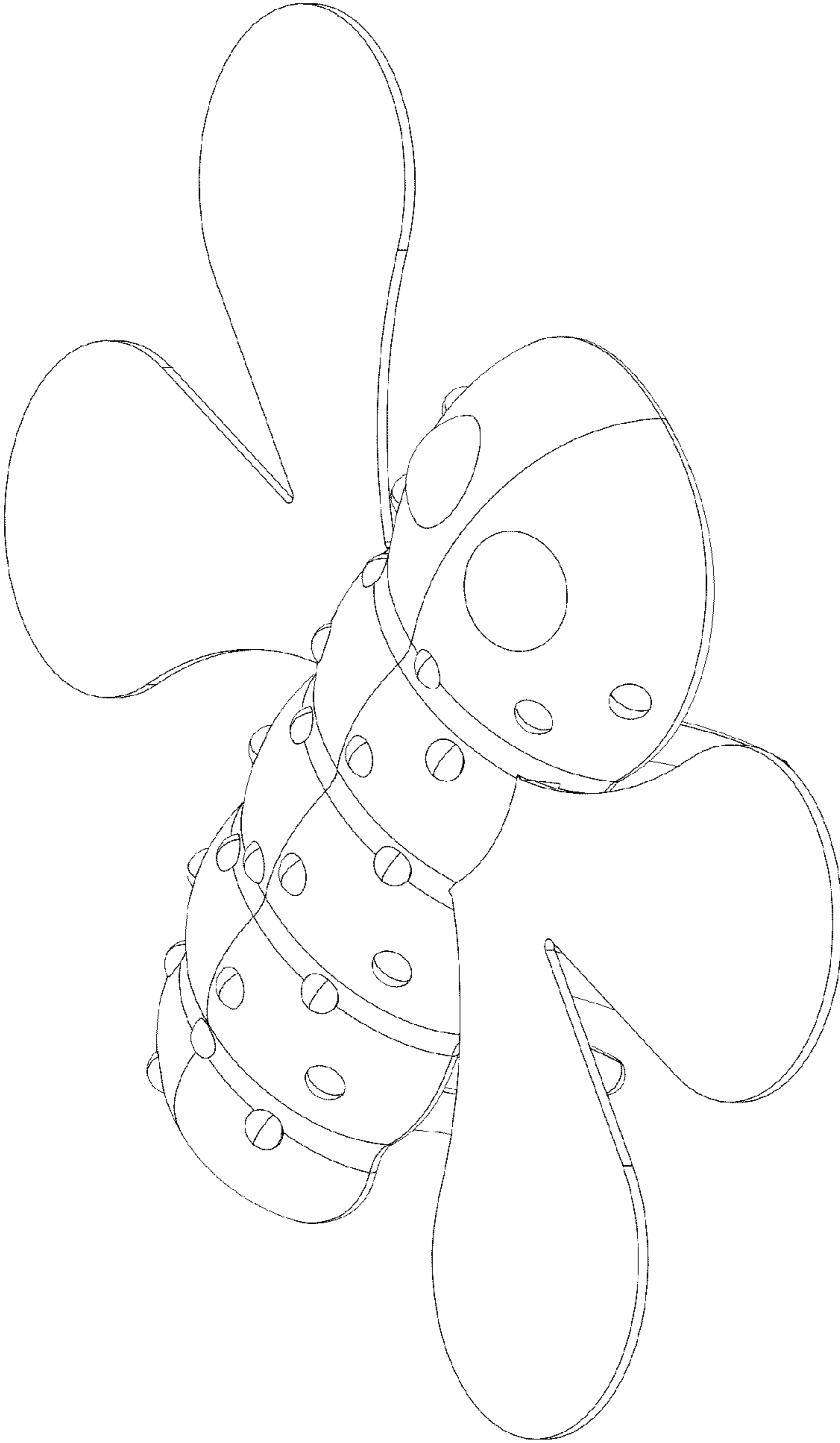


FIGURE 1

FIGURE 2

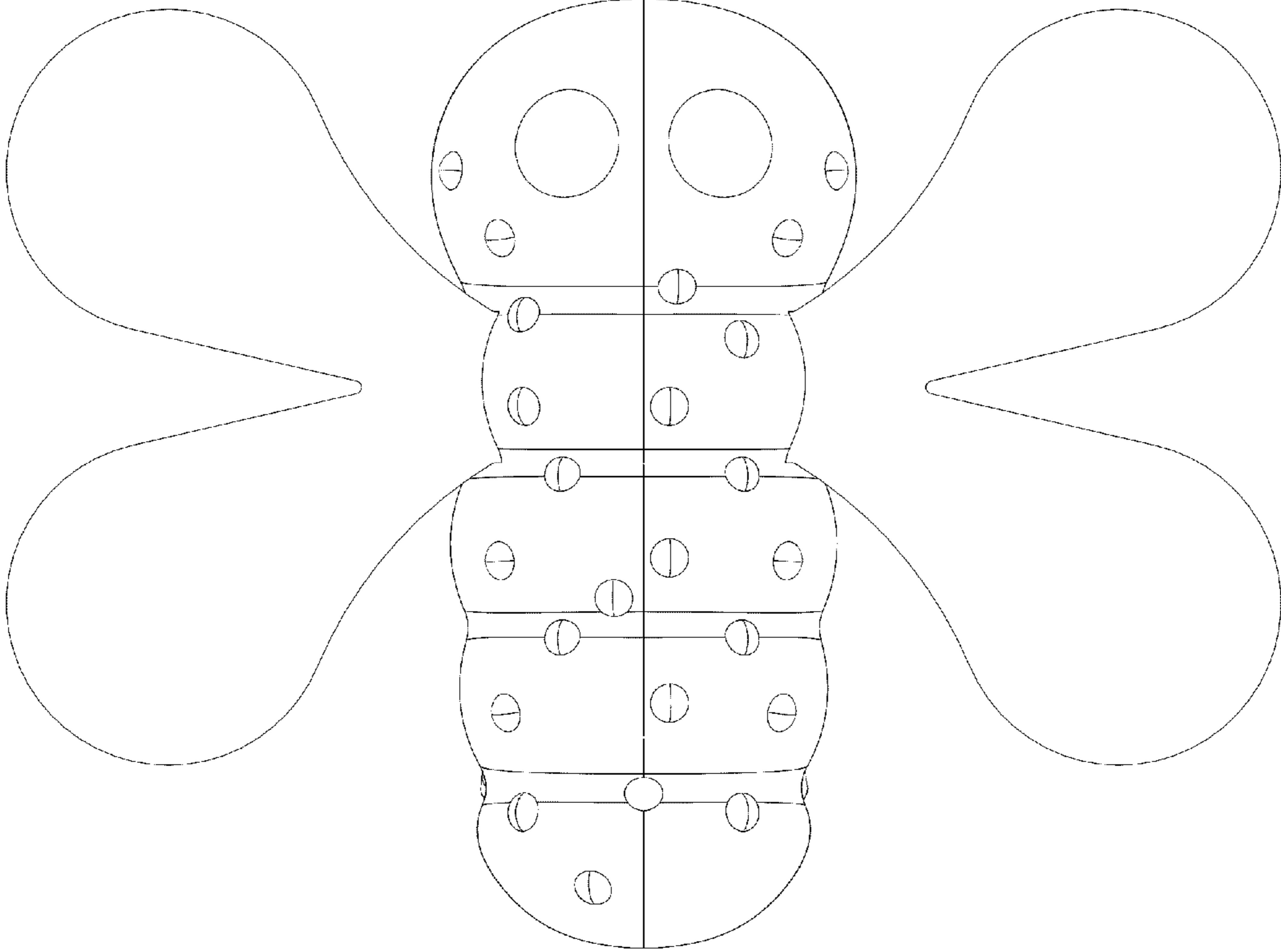
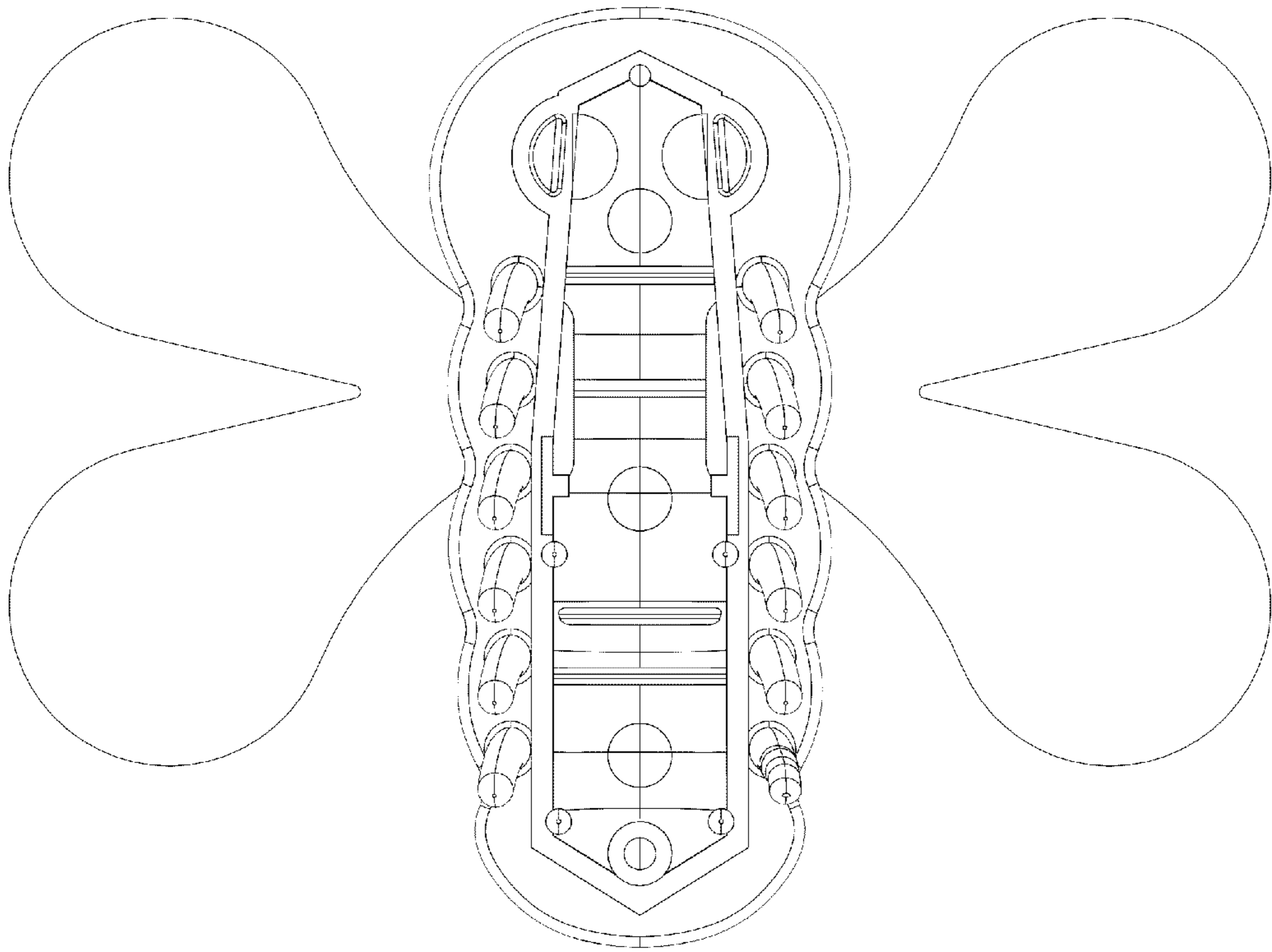


FIGURE 3



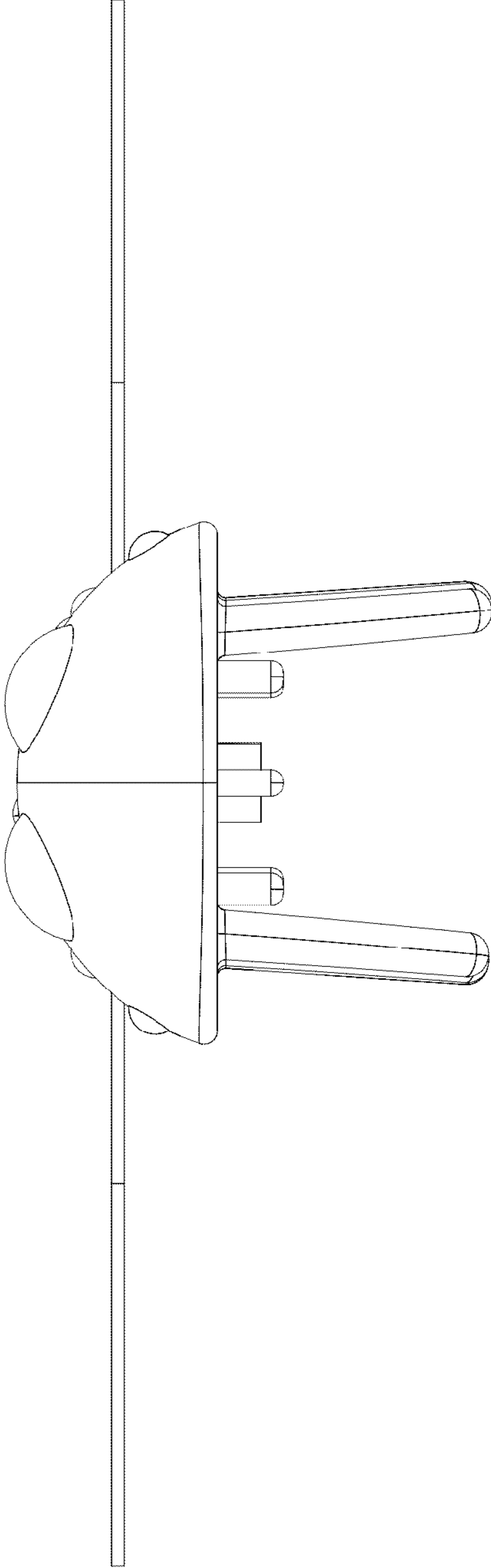


FIGURE 4

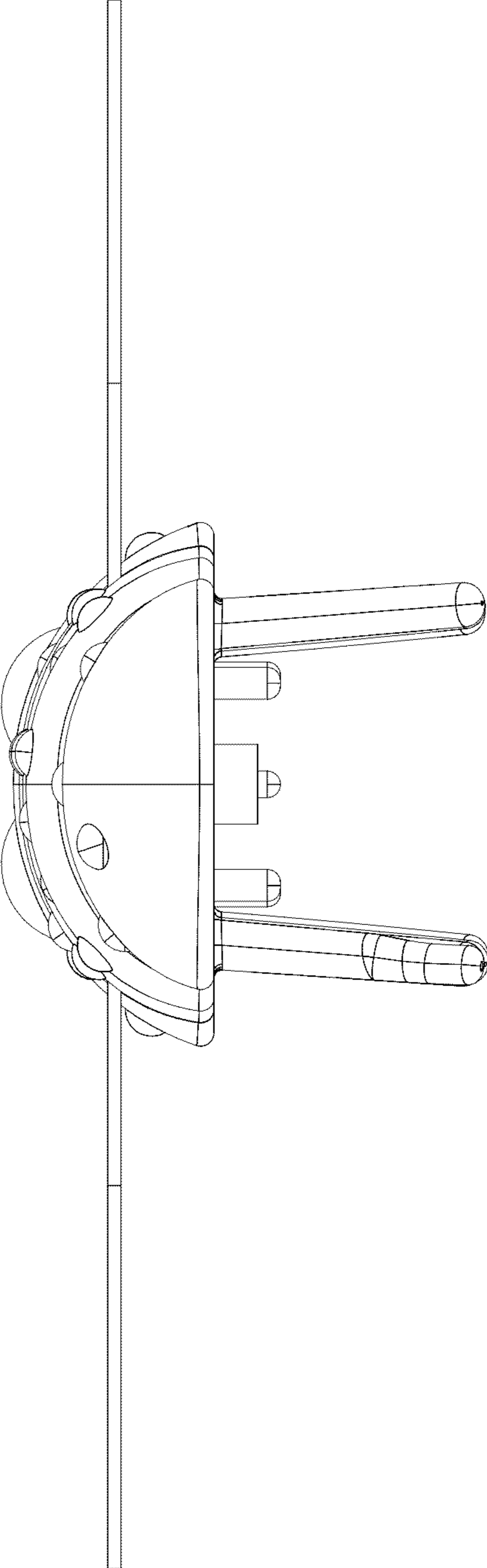


FIGURE 5

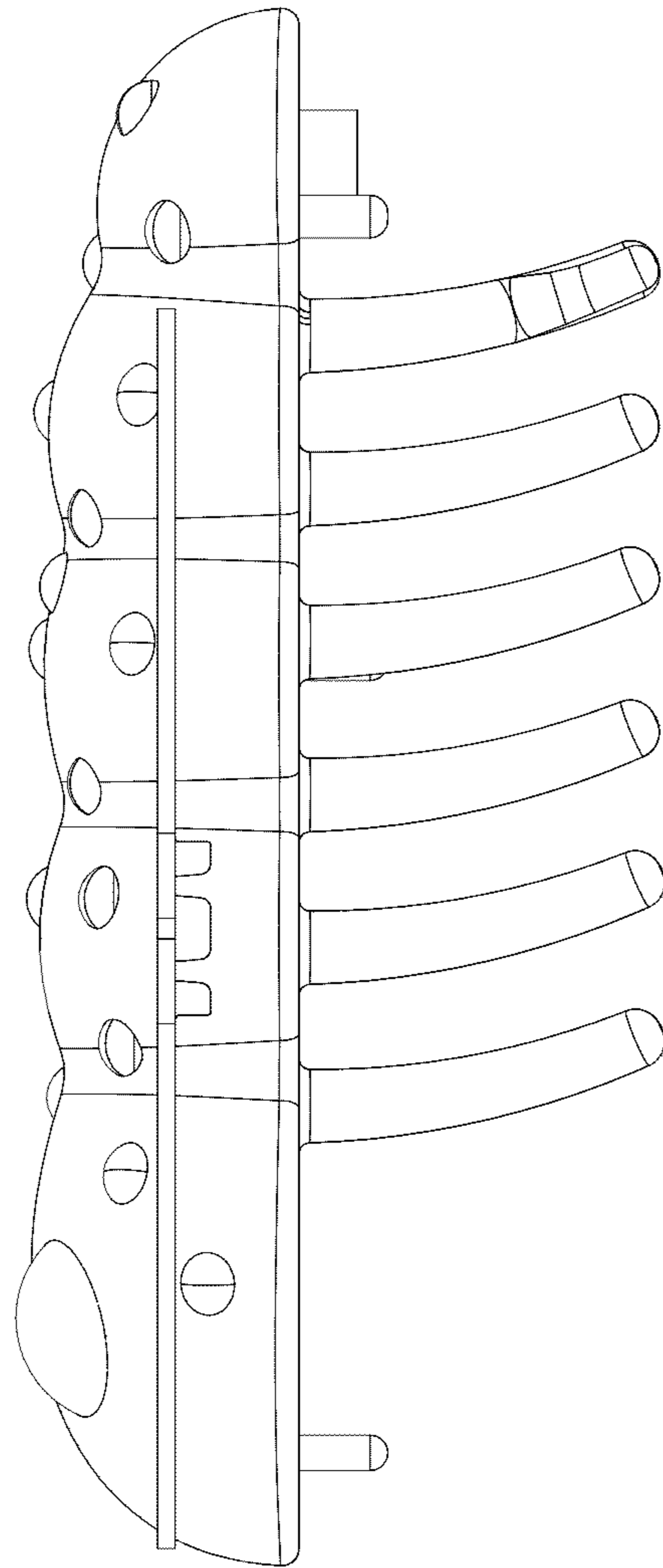


FIGURE 6

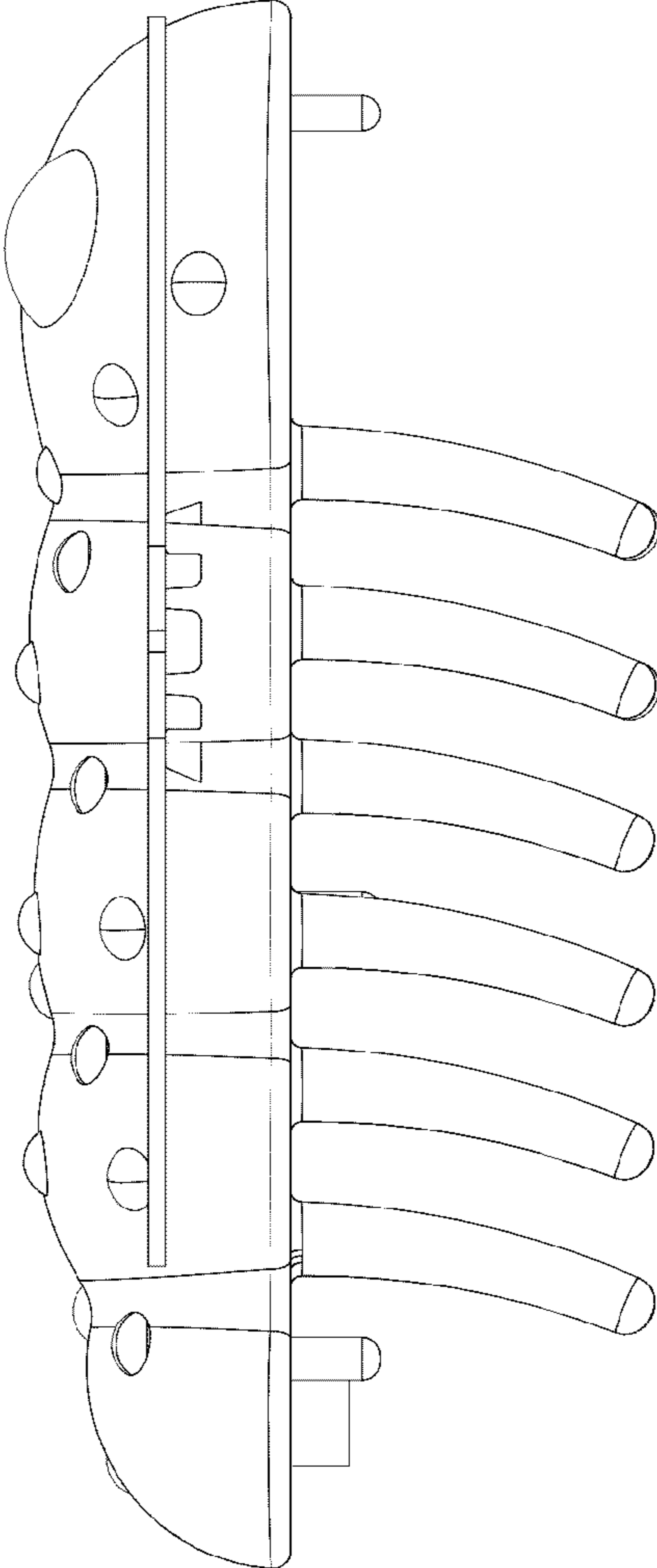


FIGURE 7



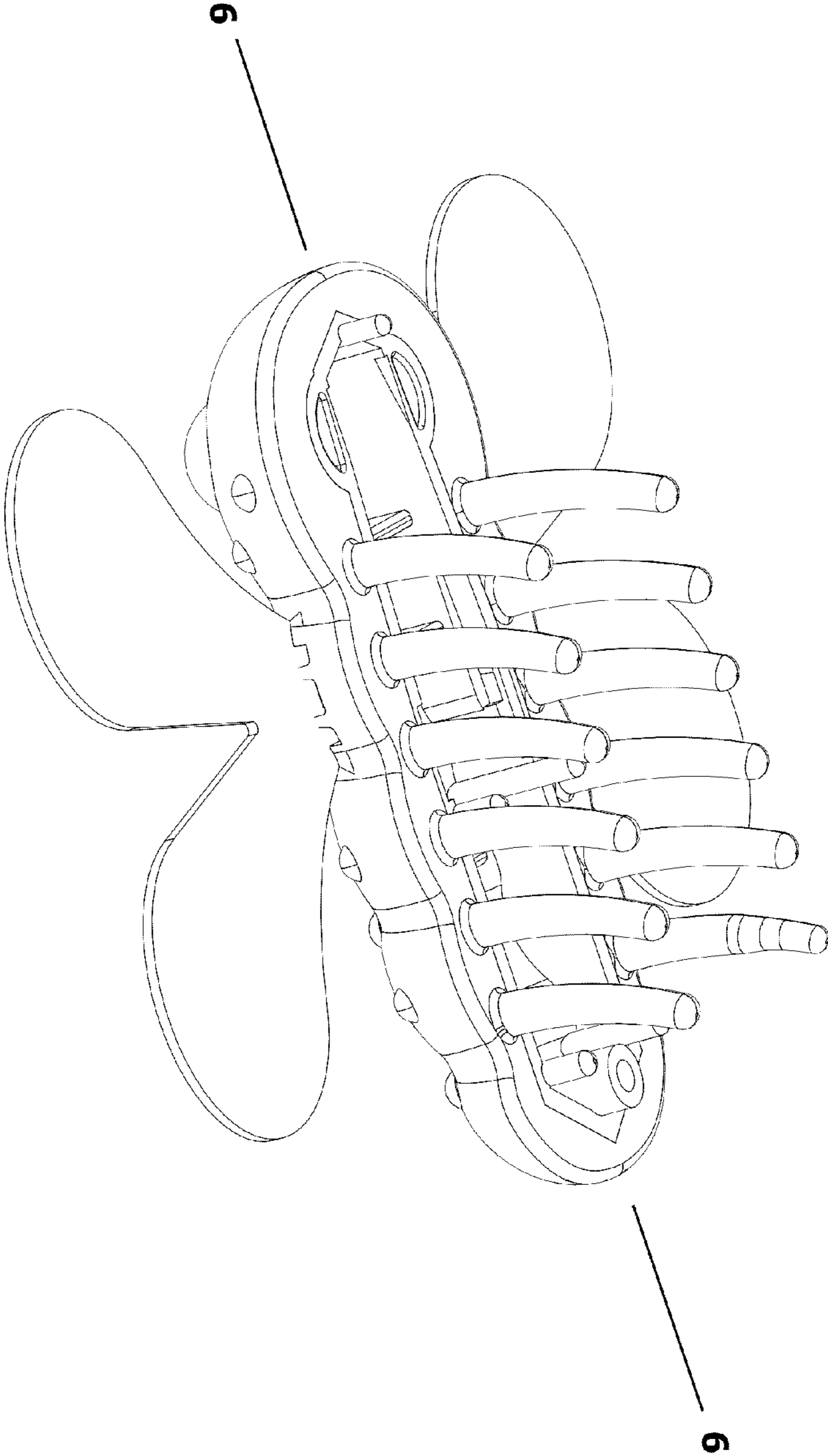
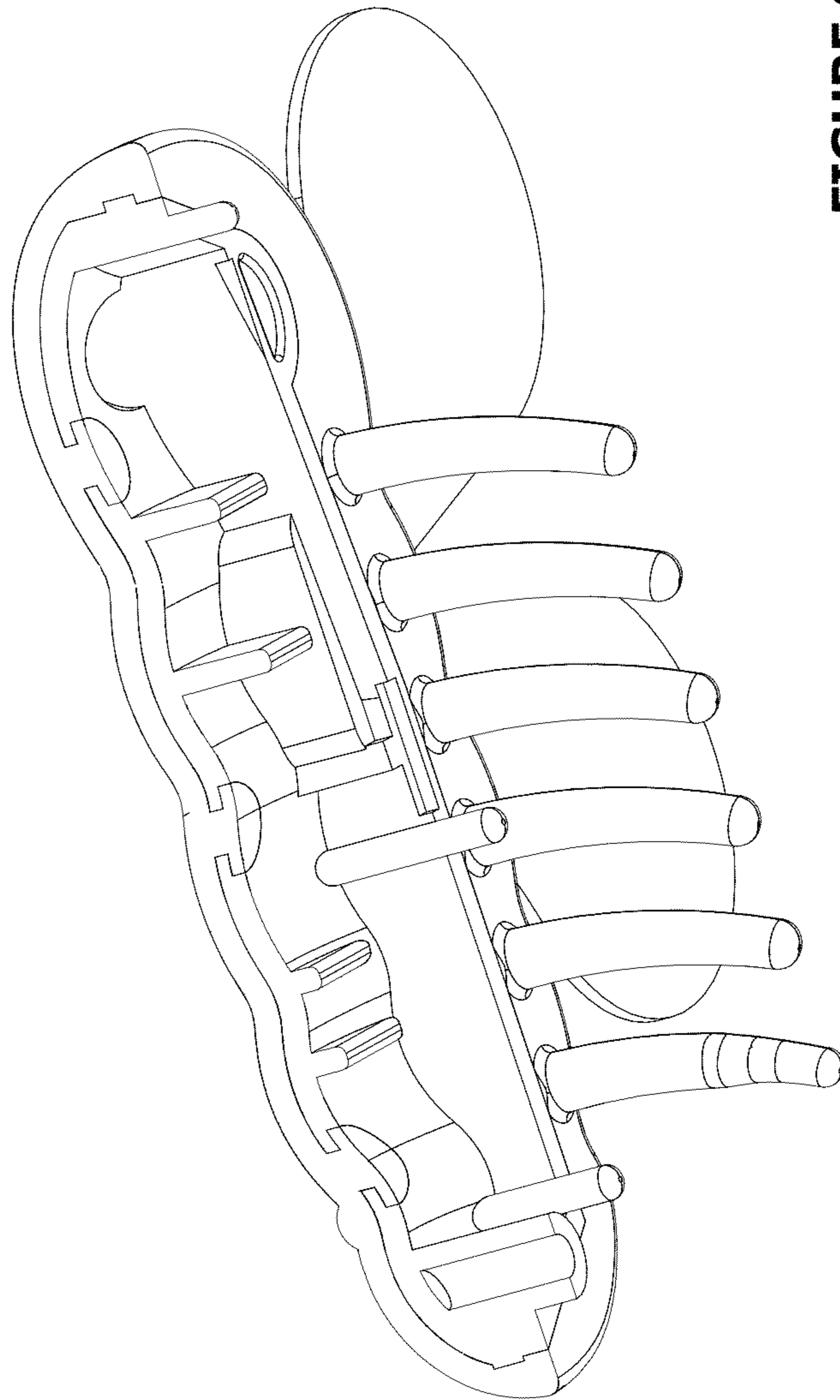


FIGURE 8



**FIGURE 9**