



US00D682363S

(12) **United States Design Patent**
Lowe

(10) **Patent No.:** **US D682,363 S**
(45) **Date of Patent:** **** May 14, 2013**

(54) **MINIATURE VEHICLE TRACK**

(71) Applicant: **Thomas E. Lowe**, South Bend, IN (US)

(72) Inventor: **Thomas E. Lowe**, South Bend, IN (US)

(73) Assignee: **Round 2, LLC**, South Bend, IN (US)

(**) Term: **14 Years**

(21) Appl. No.: **29/436,347**

(22) Filed: **Nov. 5, 2012**

Related U.S. Application Data

(62) Division of application No. 29/381,132, filed on Dec. 15, 2010.

(51) **LOC (9) Cl.** **21-01**

(52) **U.S. Cl.**

USPC **D21/565**

(58) **Field of Classification Search** D21/484,
D21/490, 493, 564, 565, 802, 818, 821;
446/168-174, 84, 89, 108, 112, 114, 116,
446/124-128, 429, 444-447; 463/58-69;
238/10 R, 10 A-10 C, 10 E, 10 F; 104/60,
104/69

See application file for complete search history.

(56) **References Cited**

U.S. PATENT DOCUMENTS

1,864,323	A *	6/1932	Sheridan	104/124
2,161,276	A *	6/1939	Bonnett	238/10 E
D173,940	S *	2/1955	Di Stasi	D21/565
D317,186	S *	5/1991	Schaefer	D21/565
D325,758	S *	4/1992	Black	D21/565
D326,694	S *	6/1992	Suzuki	D21/565
D361,802	S *	8/1995	Shiraishi	D21/564
D493,849	S *	8/2004	Elia	D21/565
D651,661	S *	1/2012	Yuen	D21/565
D654,121	S *	2/2012	Mimlitch et al.	D21/565

* cited by examiner

Primary Examiner — Cynthia M Chin

(74) *Attorney, Agent, or Firm* — Botkin & Hall, LLP

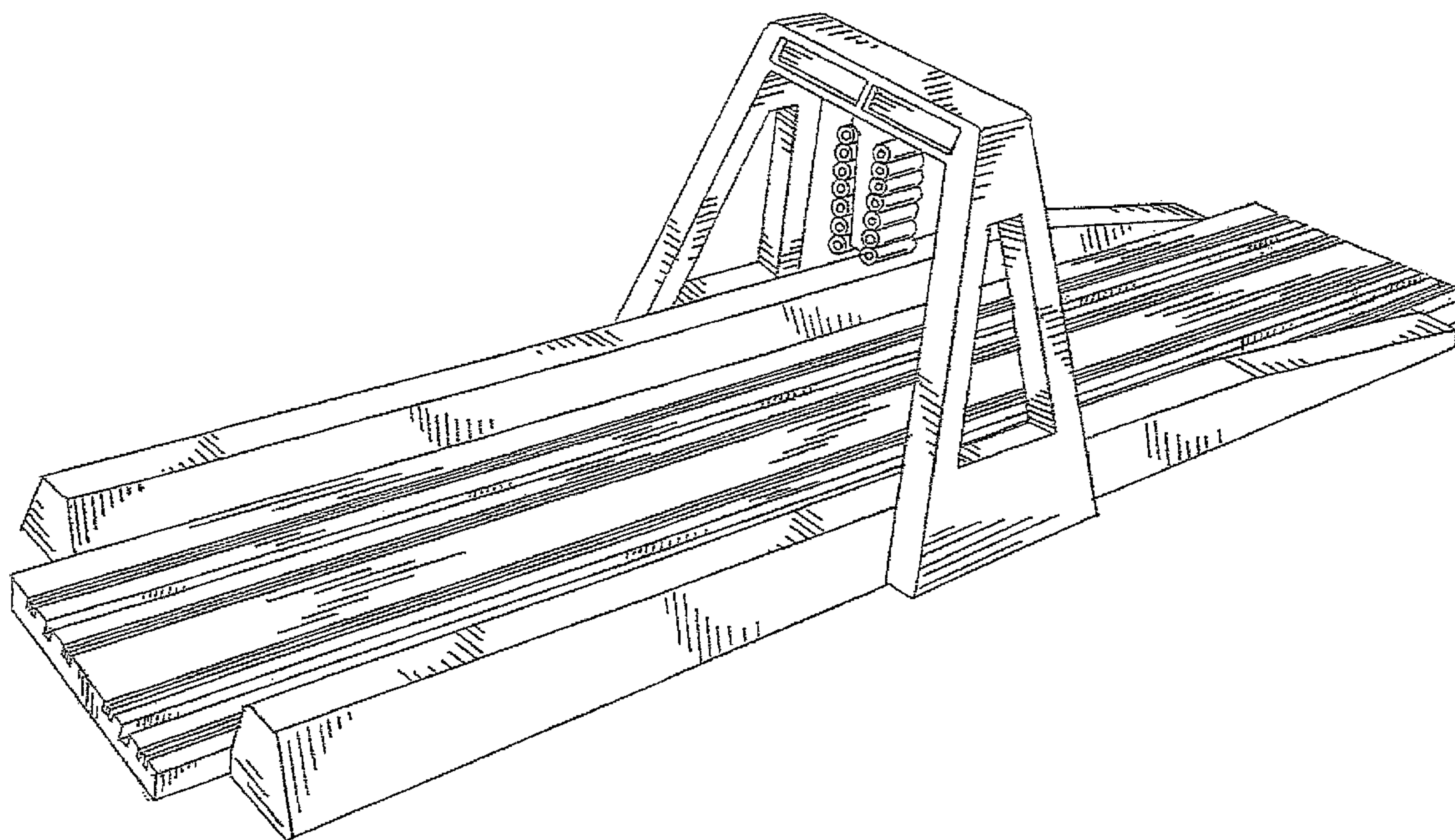
(57) **CLAIM**

The ornamental design for a miniature vehicle track, as shown and described.

DESCRIPTION

FIG. 1 is a front perspective view of the starting segment of a miniature vehicle track, the bottom is flat and devoid of surface ornamentation;
FIG. 2 is a right view thereof;
FIG. 3 is a left view thereof;
FIG. 4 is a top plan view thereof;
FIG. 5 is a front view thereof; and,
FIG. 6 is a rear view thereof.

1 Claim, 4 Drawing Sheets



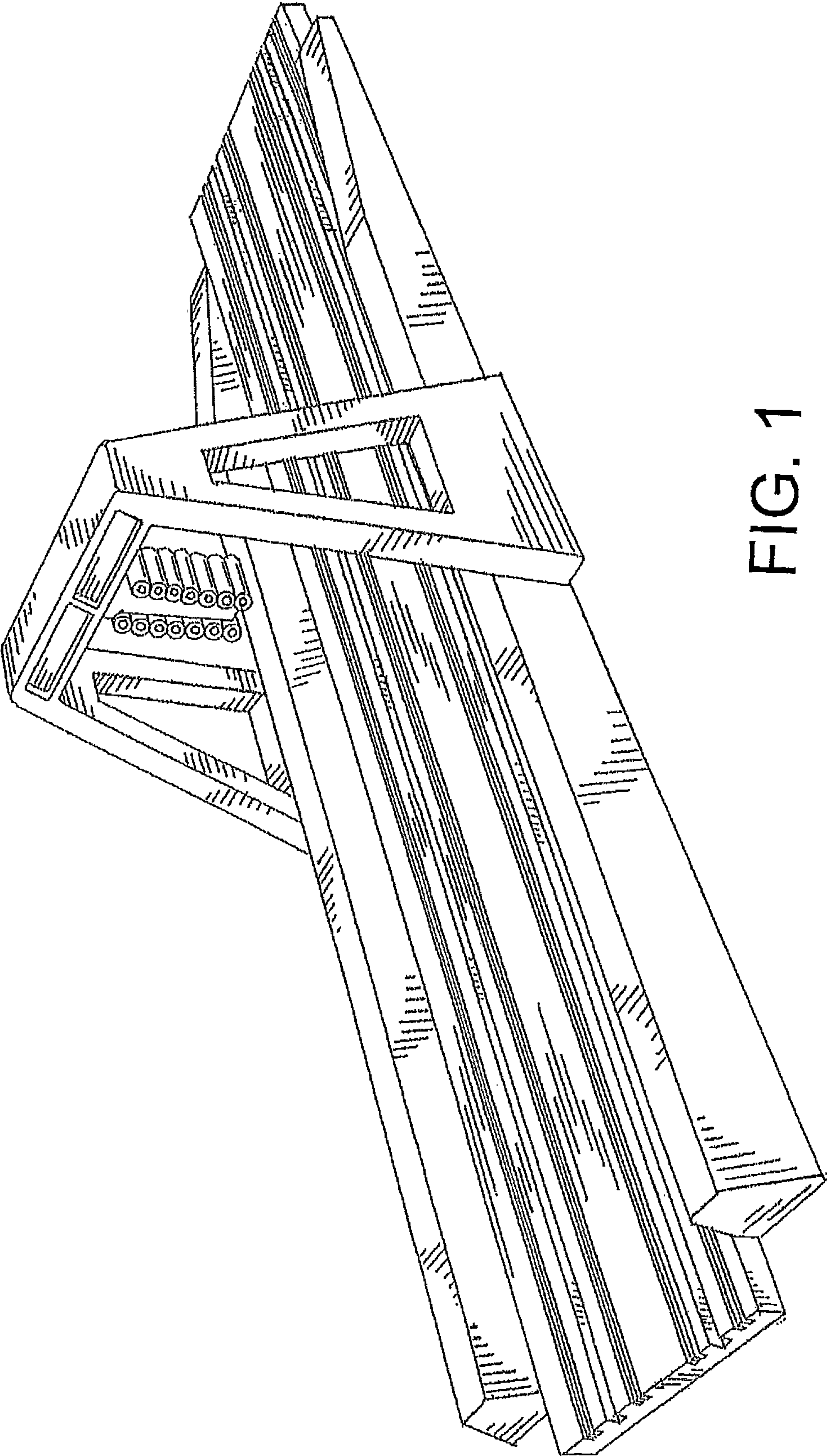


FIG. 1

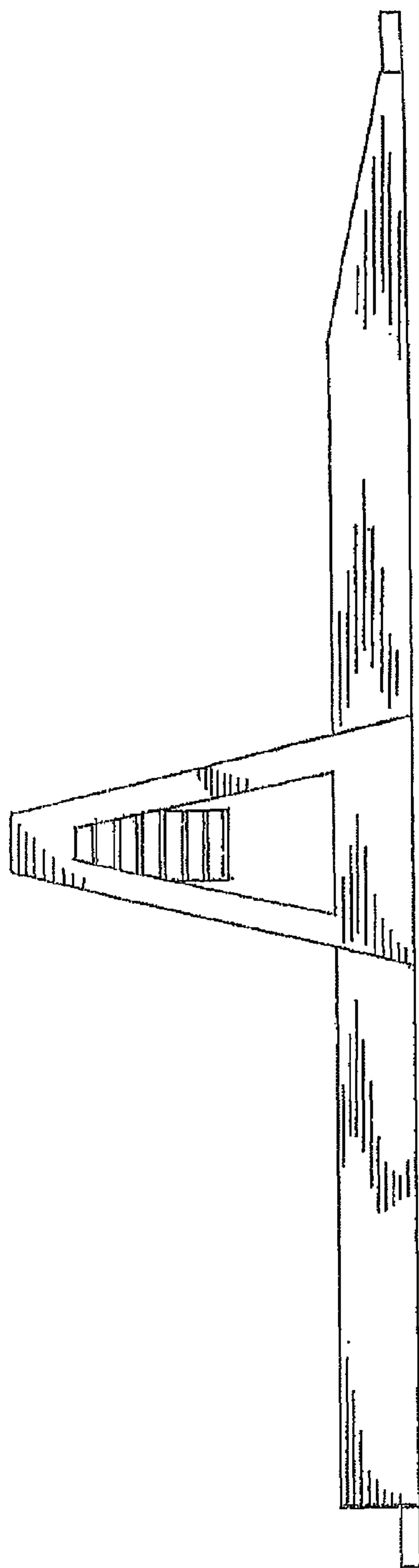


FIG. 2

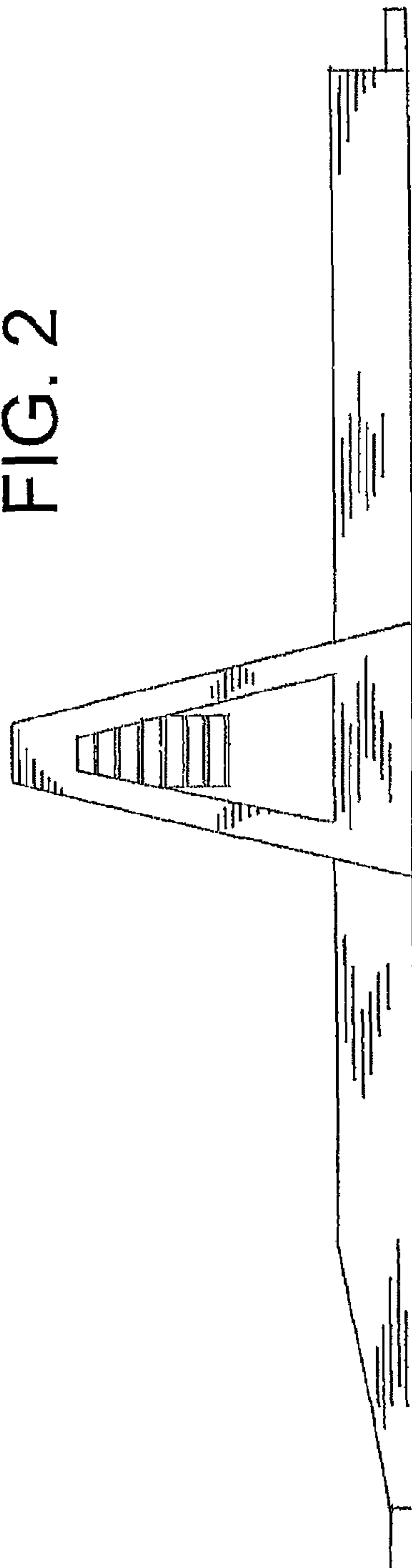


FIG. 3

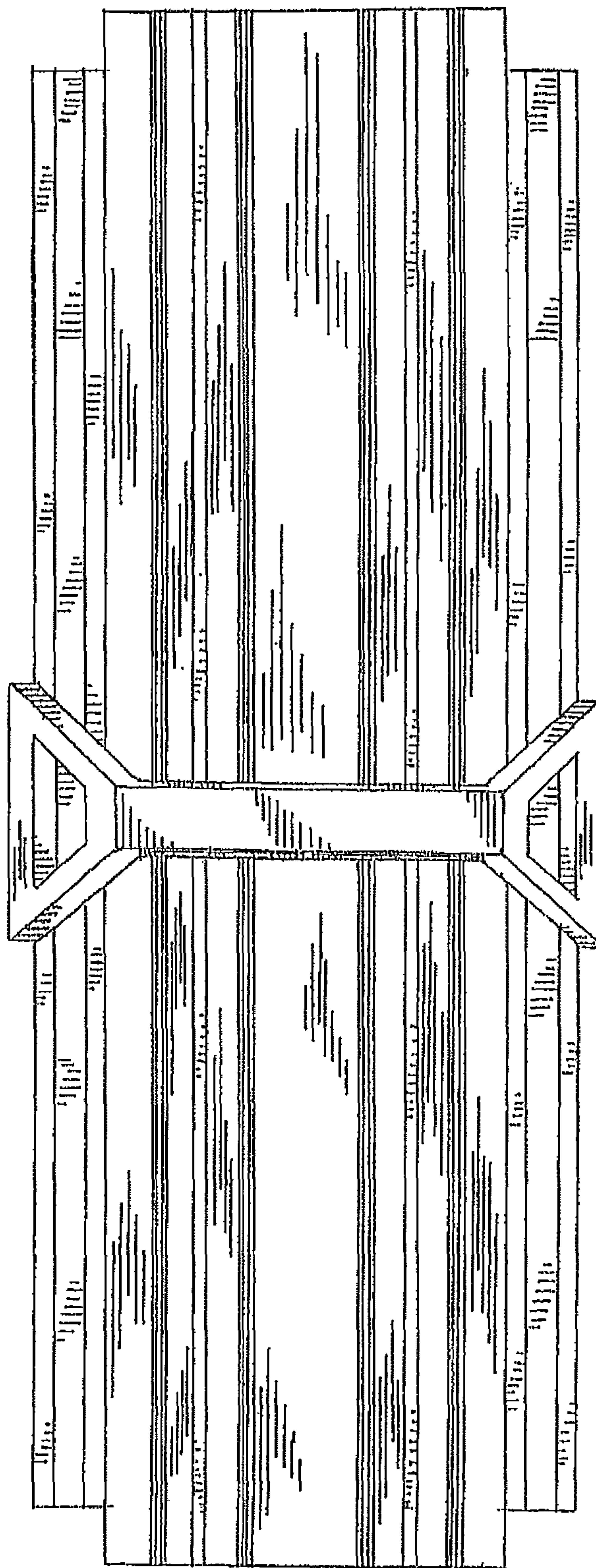


FIG. 4

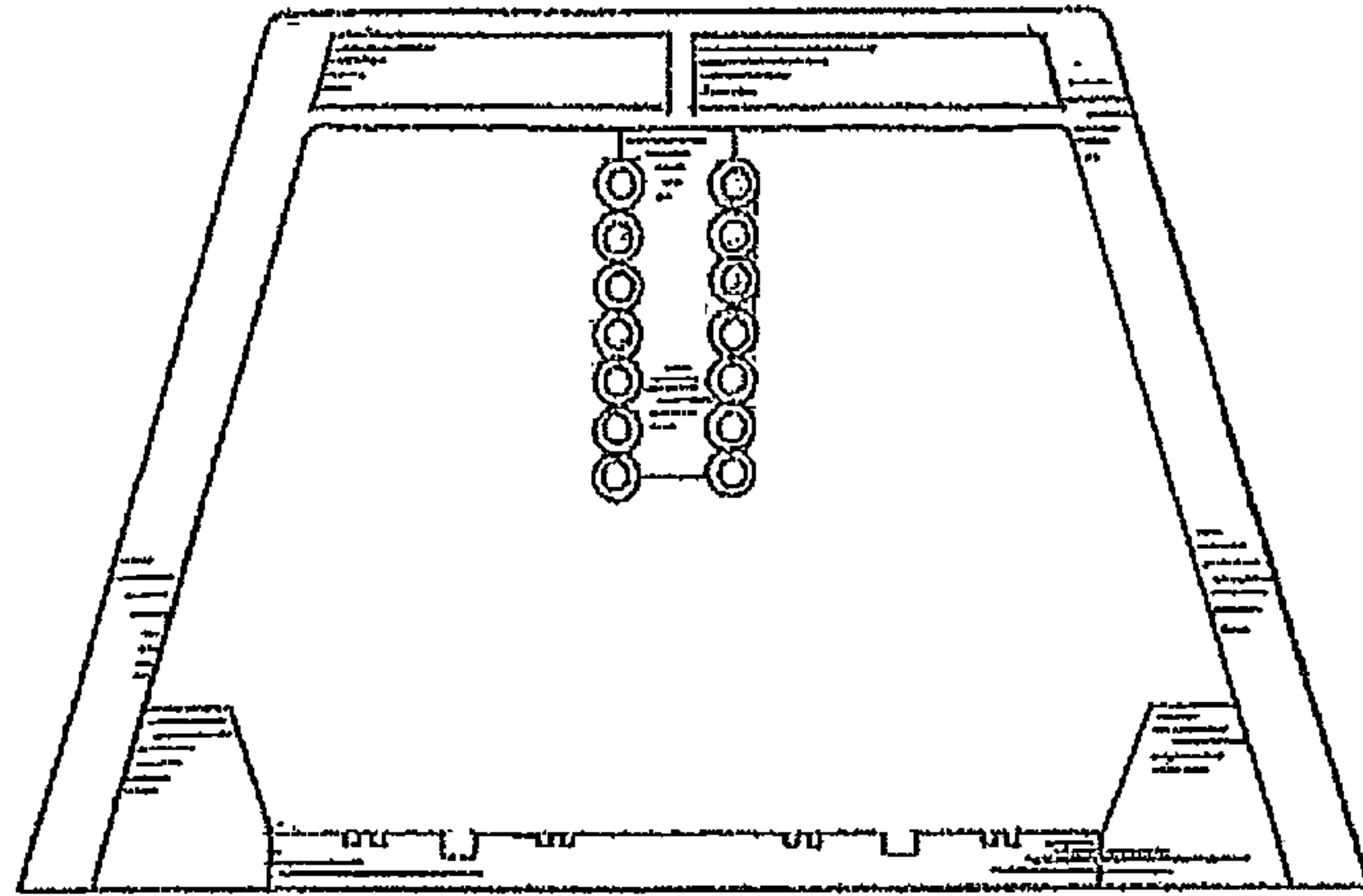


FIG. 5

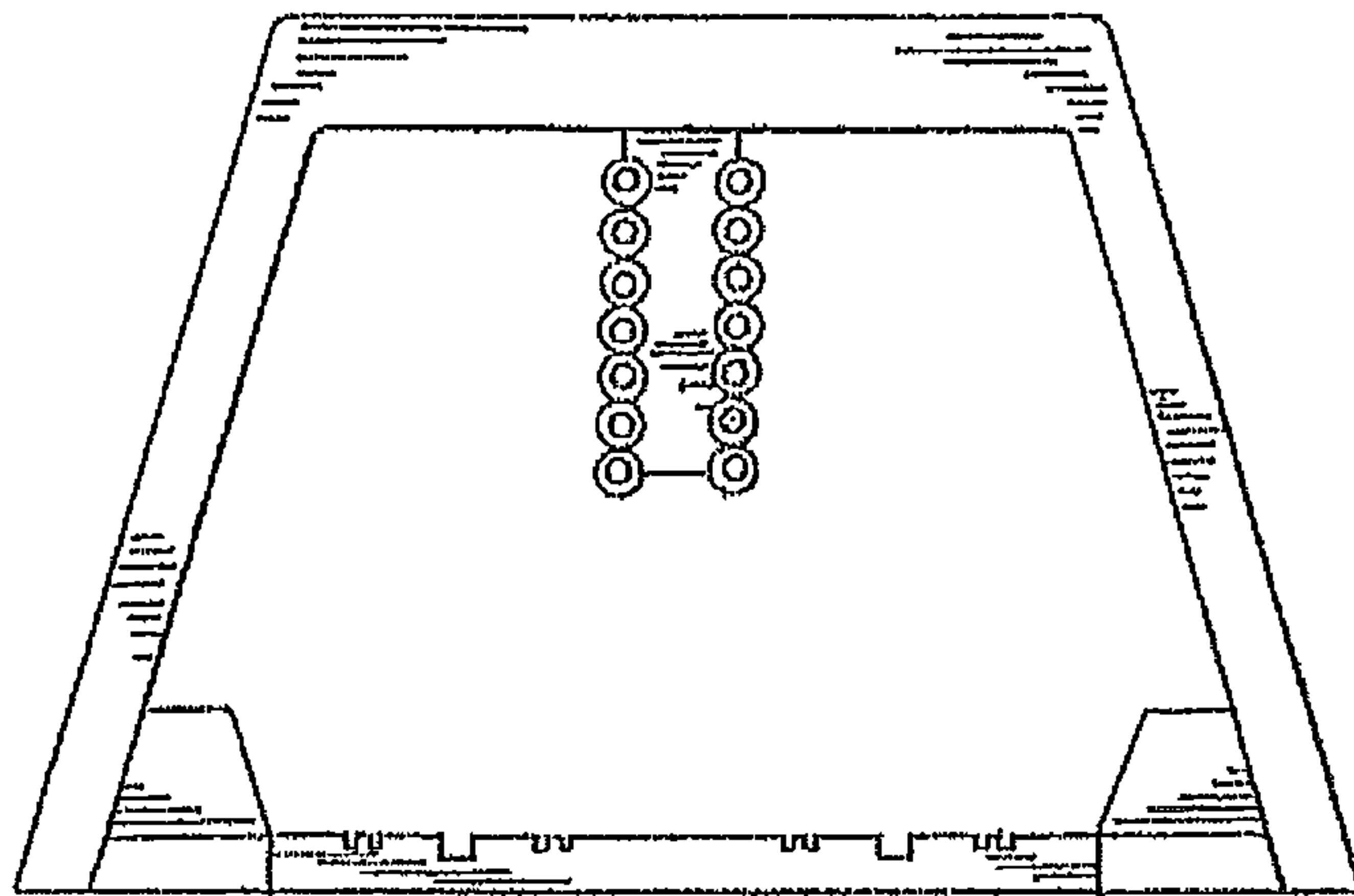


FIG. 6