



US00D682360S

(12) **United States Design Patent**  
**Bhirombhakdi**

(10) **Patent No.:** **US D682,360 S**

(45) **Date of Patent:** **\*\* May 14, 2013**

- (54) **CHASSIS**
- (75) Inventor: **Thanavud Bhirombhakdi**, Bangkok (TH)
- (73) Assignee: **Humanracing Company Limited**, Bangkok (TH)
- (\*\*) Term: **14 Years**
- (21) Appl. No.: **29/409,172**
- (22) Filed: **Dec. 21, 2011**

|                |        |                 |       |           |
|----------------|--------|-----------------|-------|-----------|
| 6,290,229 B1 * | 9/2001 | Perez           | ..... | 273/148 R |
| D470,899 S *   | 2/2003 | Goh             | ..... | D21/477   |
| 6,612,929 B2 * | 9/2003 | Fujimoto et al. | ..... | 463/32    |
| 6,739,974 B2 * | 5/2004 | Kanno et al.    | ..... | 463/36    |
| D507,022 S *   | 7/2005 | Tsujino et al.  | ..... | D21/325   |
| D541,875 S *   | 5/2007 | Wada            | ..... | D21/326   |
| D545,378 S *   | 6/2007 | Cropp           | ..... | D21/325   |

\* cited by examiner

*Primary Examiner* — Prabhakar Deshmukh  
(74) *Attorney, Agent, or Firm* — Baker & McKenzie LLP

**Related U.S. Application Data**

- (63) Continuation-in-part of application No. 29/339,821, filed on Jul. 8, 2009, now abandoned.
- (51) **LOC (9) Cl.** ..... **21-01**
- (52) **U.S. Cl.**  
USPC ..... **D21/326; D21/333**
- (58) **Field of Classification Search** ..... D21/324, D21/325, 326, 329, 333, 369–371, 383; 273/148 B, 273/138.1; 463/1, 16–21, 25, 42, 46, 47  
See application file for complete search history.

**References Cited**

**U.S. PATENT DOCUMENTS**

|              |         |               |       |         |
|--------------|---------|---------------|-------|---------|
| D384,705 S * | 10/1997 | Muraki et al. | ..... | D21/326 |
| D446,263 S * | 8/2001  | Heys          | ..... | D21/477 |

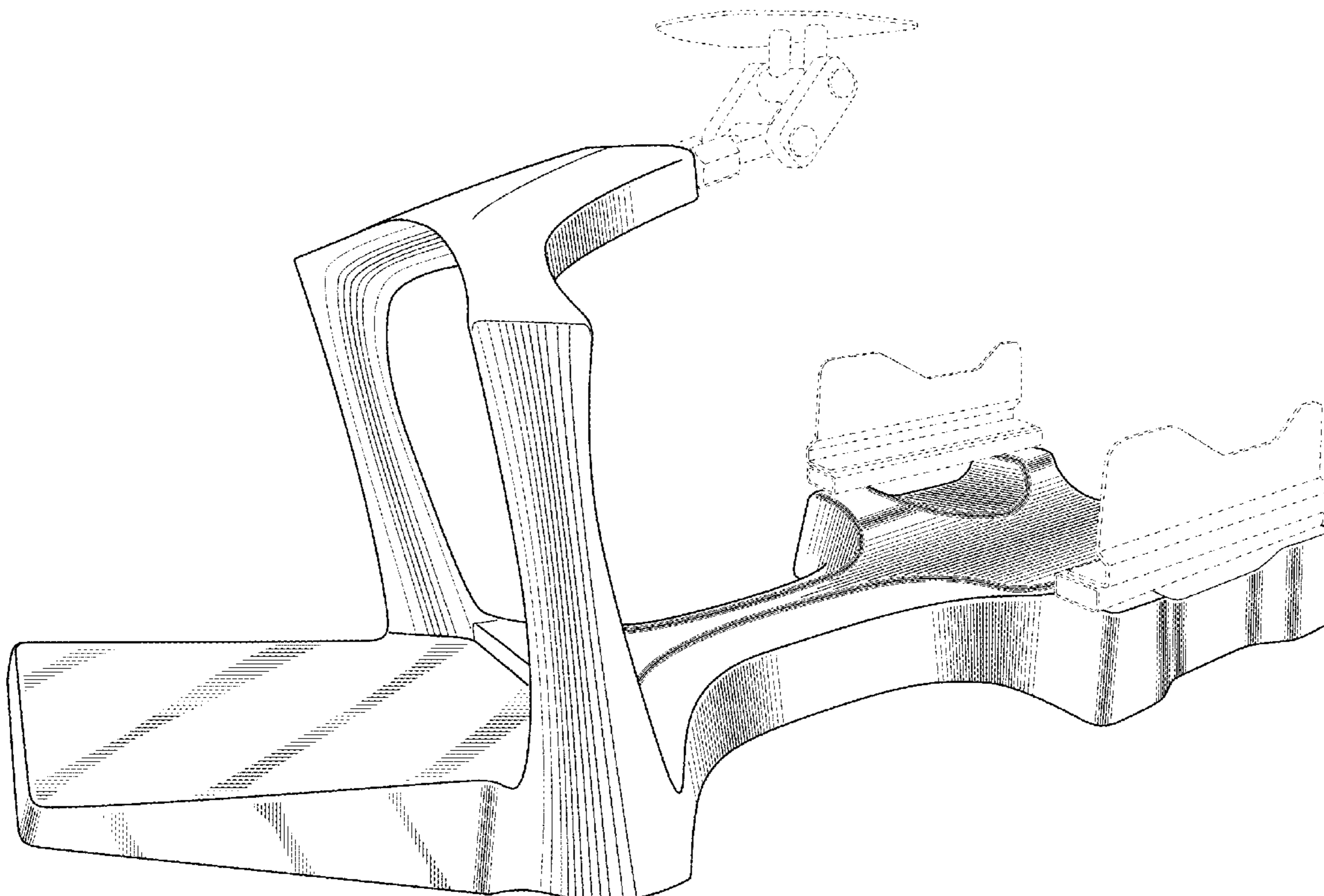
(57) **CLAIM**

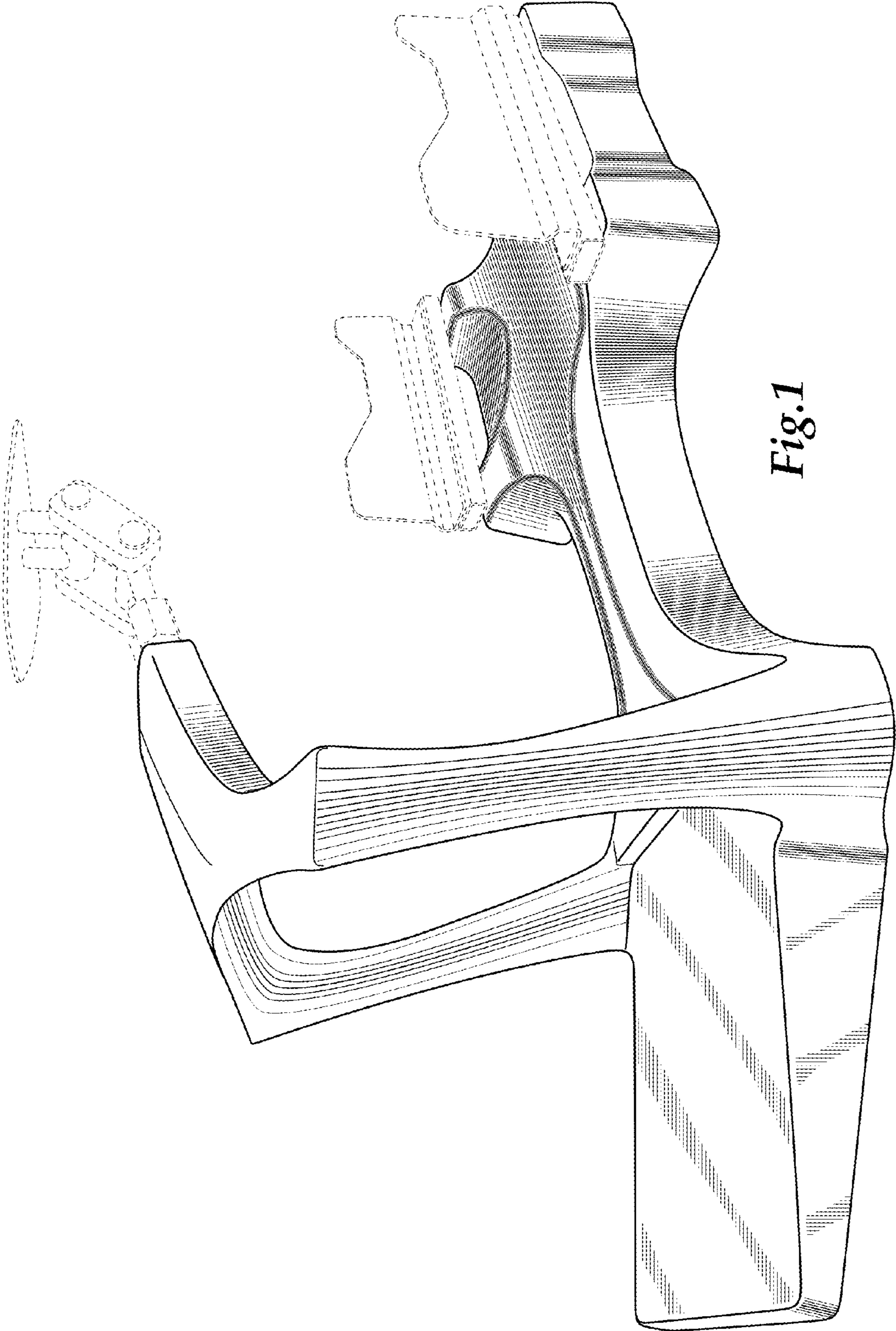
The ornamental design for a chassis, as shown and described.

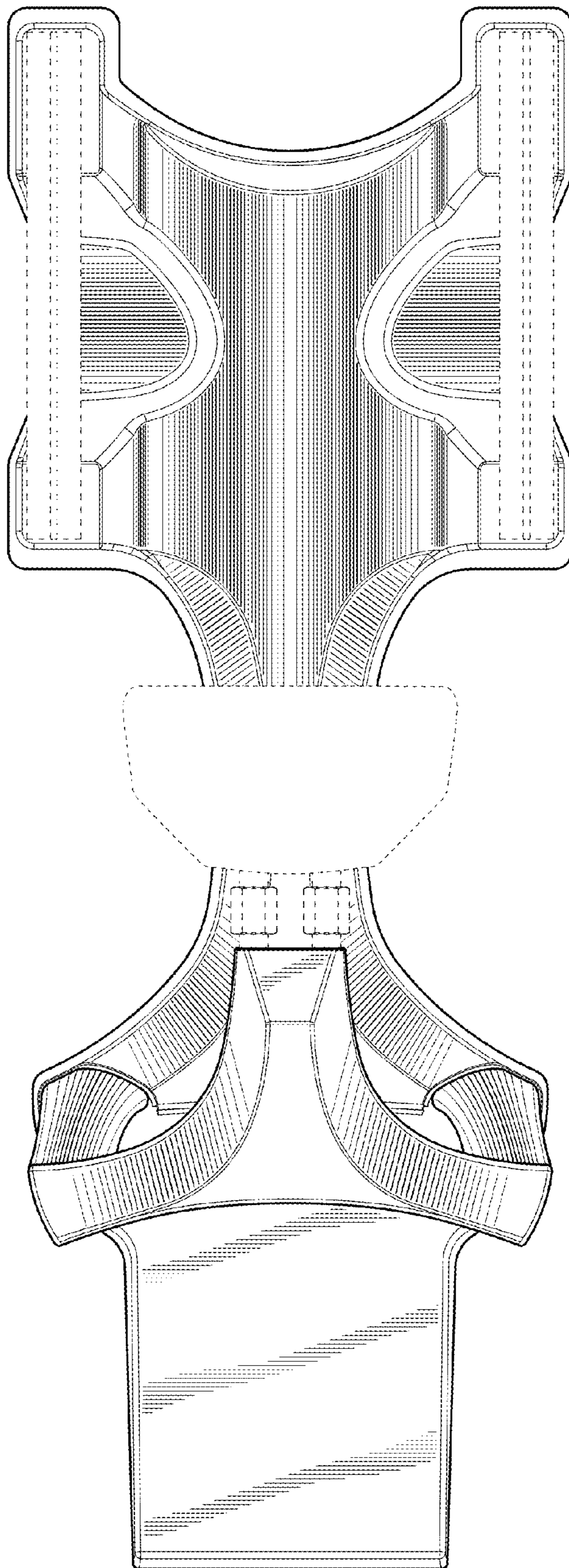
**DESCRIPTION**

FIG. 1 is a perspective view of a chassis showing my new design;  
FIG. 2 is top plan view thereof;  
FIG. 3 is a right-side elevation view thereof, the left-side elevation view being a mirror image thereof;  
FIG. 4 is a rear elevation view thereof; and,  
FIG. 5 is a front elevation view thereof.  
The broken lines are for illustrative purpose only and form no part of the claimed design.

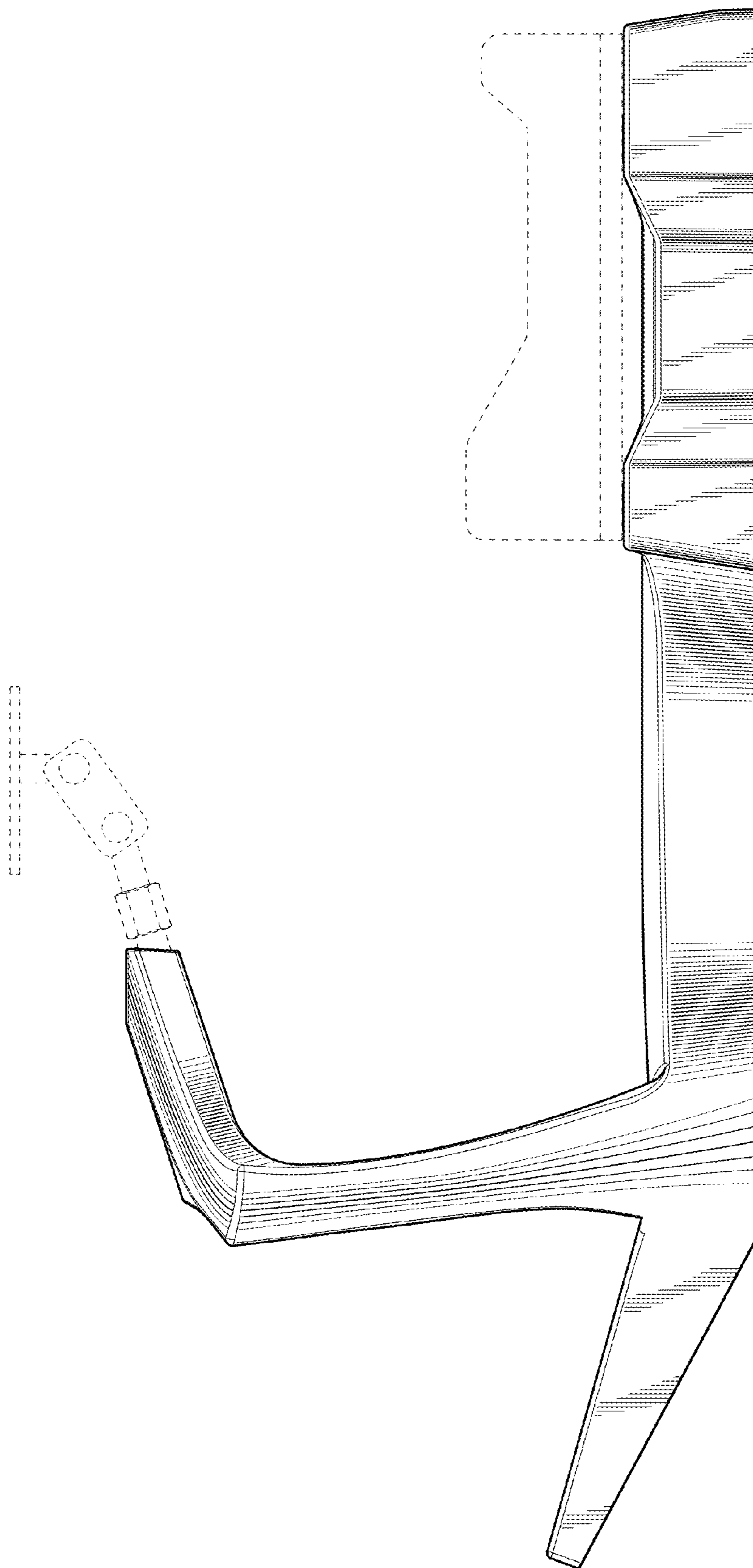
**1 Claim, 4 Drawing Sheets**



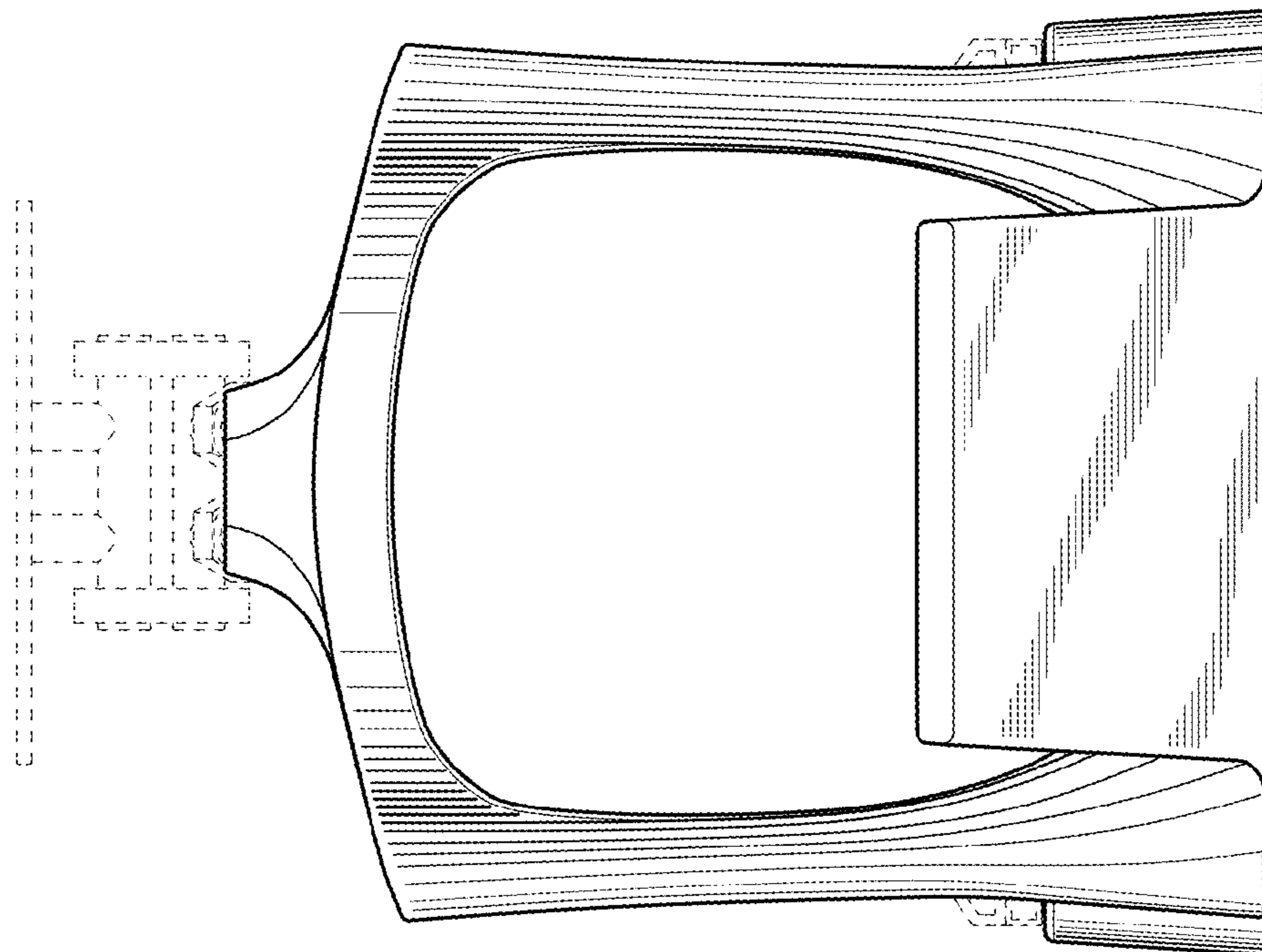




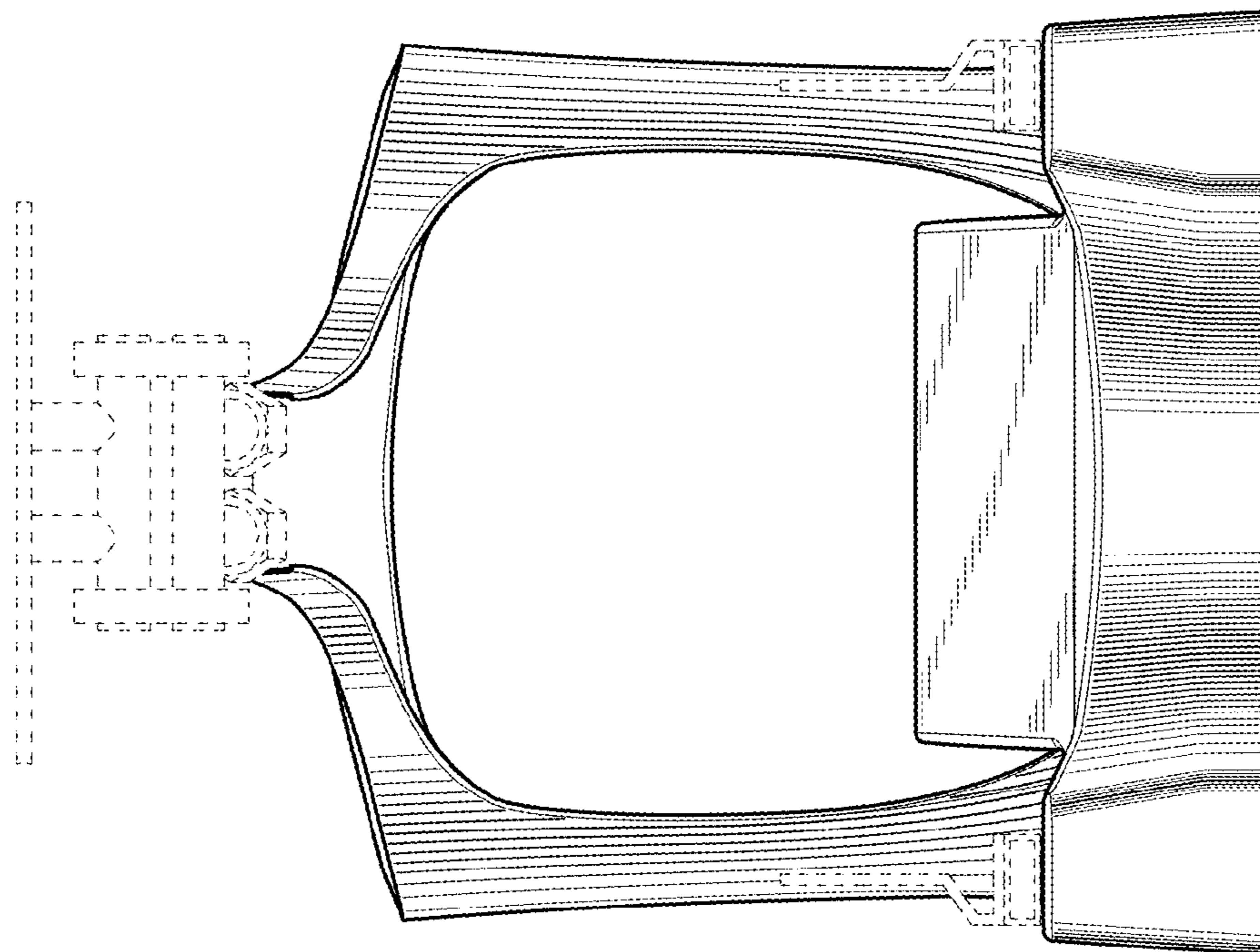
*Fig. 2*



*Fig.3*



*Fig.5*



*Fig.4*