



US00D682355S

(12) **United States Design Patent**
Cohen et al.

(10) **Patent No.:** **US D682,355 S**

(45) **Date of Patent:** **** May 14, 2013**

(54) **TAPE DISPENSER**

(71) Applicants: **Martin Cohen**, Delray Beach, FL (US);
Charles M. Ventre, Saugus, MA (US)

(72) Inventors: **Martin Cohen**, Delray Beach, FL (US);
Charles M. Ventre, Saugus, MA (US)

(**) Term: **14 Years**

(21) Appl. No.: **29/434,497**

(22) Filed: **Oct. 12, 2012**

(51) **LOC (9) Cl.** **19-02**

(52) **U.S. Cl.**
USPC **D19/69**

(58) **Field of Classification Search** D19/70,
D19/69, 36, 68; 242/588.6, 588.2; 225/77,
225/6, 56, 39, 26, 25, 19, 11; 206/411; 156/577,
156/527, 523; D7/629, 615; D9/432, 422,
D9/424

See application file for complete search history.

(56) **References Cited**

U.S. PATENT DOCUMENTS

2,491,634	A *	12/1949	Allard	70/456 R
D280,058	S *	8/1985	Carlson	D7/629
D311,665	S *	10/1990	Carlson	D7/629
D350,876	S *	9/1994	VanValkenburg et al.	D7/612
D355,359	S *	2/1995	Herzog	D9/422
D366,281	S *	1/1996	Sakanishi et al.	D19/69
D395,204	S *	6/1998	Wood	D7/615
D407,972	S *	4/1999	Hilton	D9/422
D422,636	S *	4/2000	Smith	D19/69
D469,320	S *	1/2003	Pettaweebuncha	D7/629
D476,229	S *	6/2003	Skillings	D9/432
D507,968	S *	8/2005	Dixon et al.	D9/422
D510,859	S *	10/2005	Dixon et al.	D9/424
D520,063	S *	5/2006	Scimone	D19/75

(Continued)

Primary Examiner — Austin Murphy

(74) *Attorney, Agent, or Firm* — Nancy J. Flint, Attorney At Law, P.A.; Nancy J. Flint

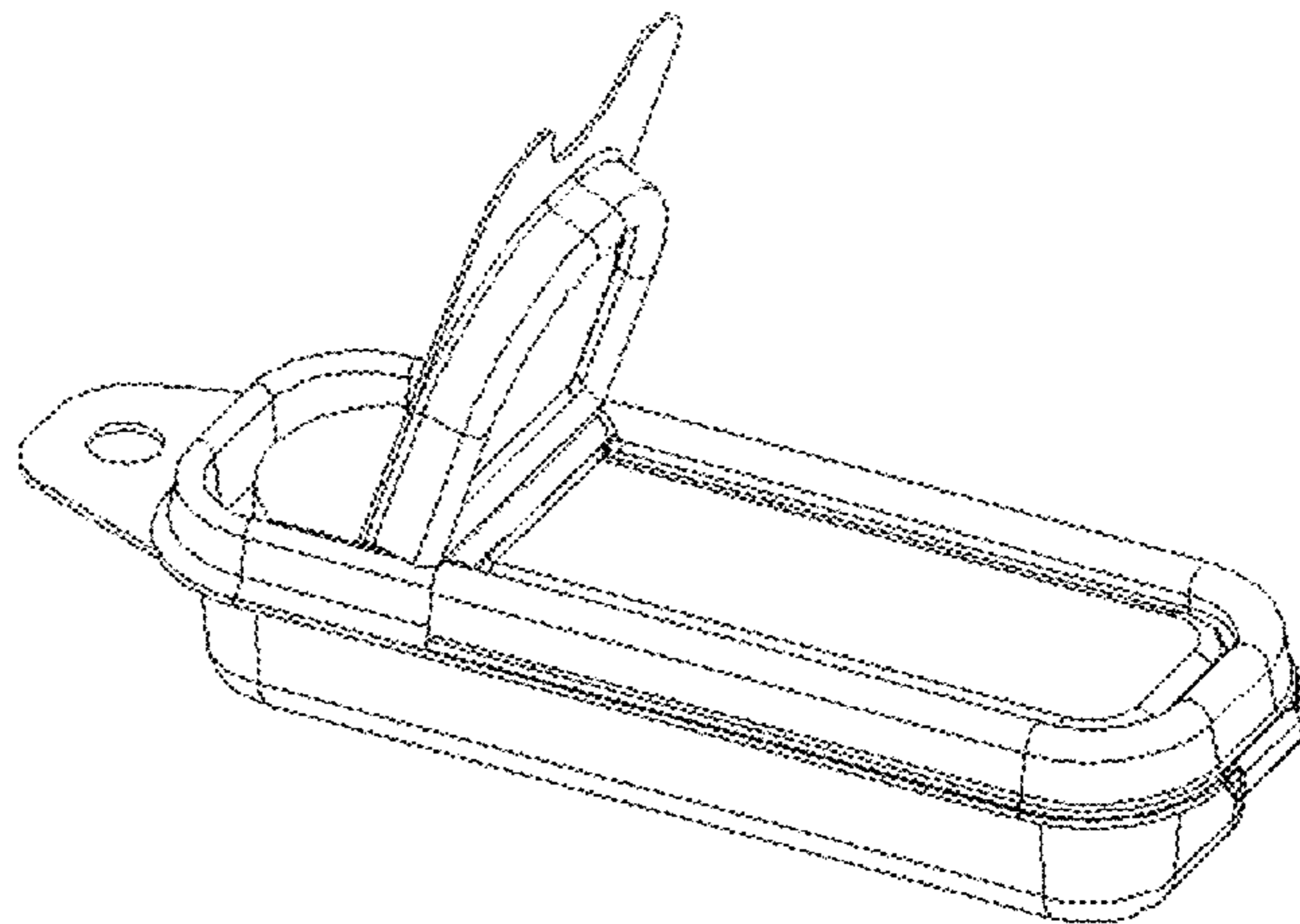
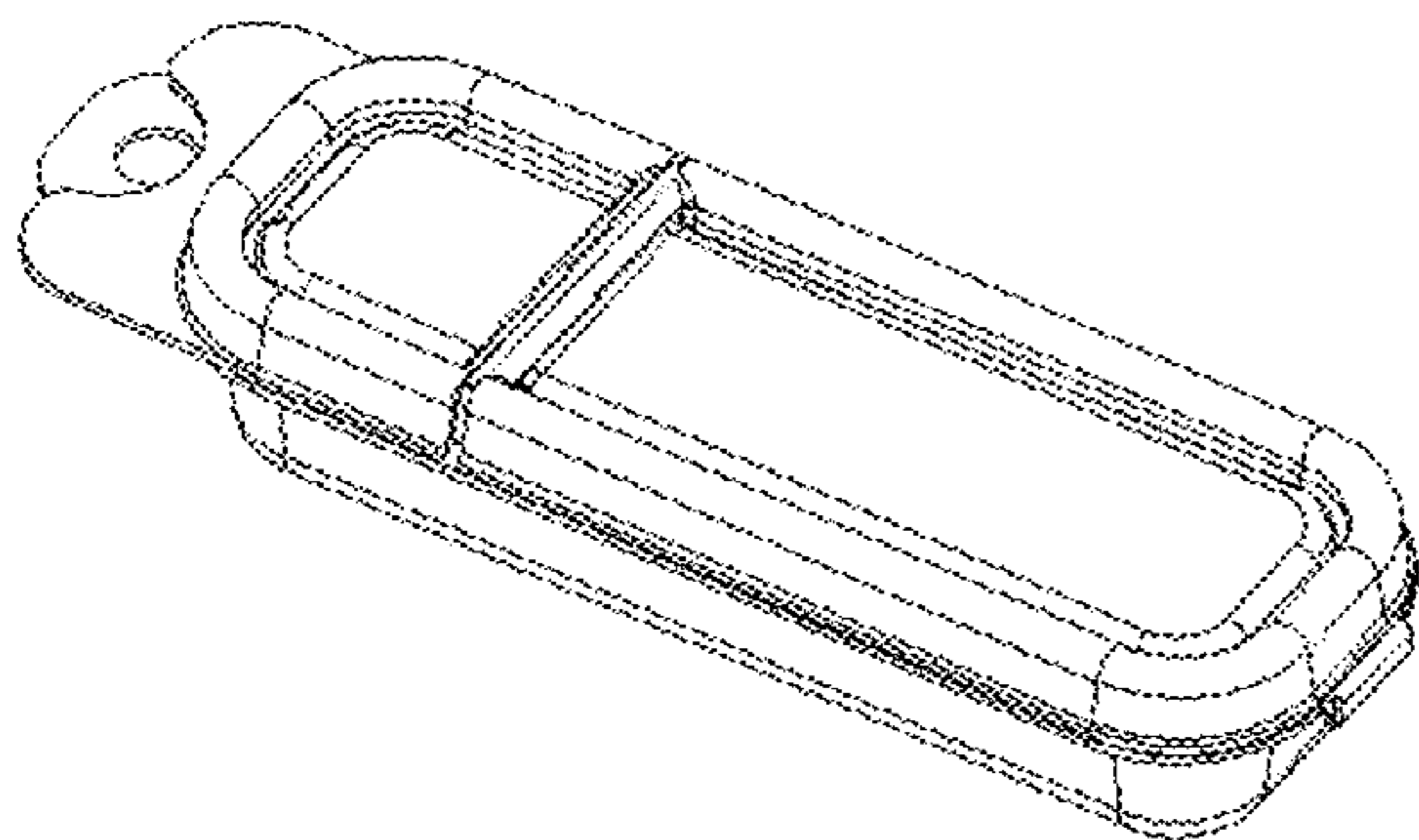
(57) **CLAIM**

The ornamental design for a tape dispenser, as shown and described.

DESCRIPTION

FIG. 1 is a front perspective view of a tape dispenser in its closed position showing our new design;
 FIG. 2 is a top view of a tape dispenser in its closed position;
 FIG. 3 is a bottom view of a tape dispenser in its closed position;
 FIG. 4 is a left side view of a tape dispenser in its closed position;
 FIG. 5 is a tab end view of a tape dispenser in its closed position;
 FIG. 6 is a hinge end view of a tape dispenser in its closed position;
 FIG. 7 is a hinge end perspective view of a tape dispenser in its closed position;
 FIG. 8 is a front perspective view of a tape dispenser in its open position;
 FIG. 9 is a top view of a tape dispenser in its open position;
 FIG. 10 is a left side view of a tape dispenser in its open position;
 FIG. 11 is a bottom view of a tape dispenser in its open position;
 FIG. 12 is a tab end view of a tape dispenser in its open position;
 FIG. 13 is a hinge end view of a tape dispenser in its open position;
 FIG. 14 is a back perspective view of a tape dispenser in its open position; and,
 FIG. 15 is a second front perspective view of a tape dispenser in its open position.
 Right side views not shown are mirror images of left side views. Any broken lines illustrative of environmental structure in the drawings are not part of the design sought to be patented.

1 Claim, 4 Drawing Sheets



US D682,355 S

Page 2

U.S. PATENT DOCUMENTS

D603,565 S * 11/2009 Fick	D30/121	D630,251 S * 1/2011 Cohen et al.	D19/69
D617,149 S * 6/2010 Olivari	D7/629	* cited by examiner	

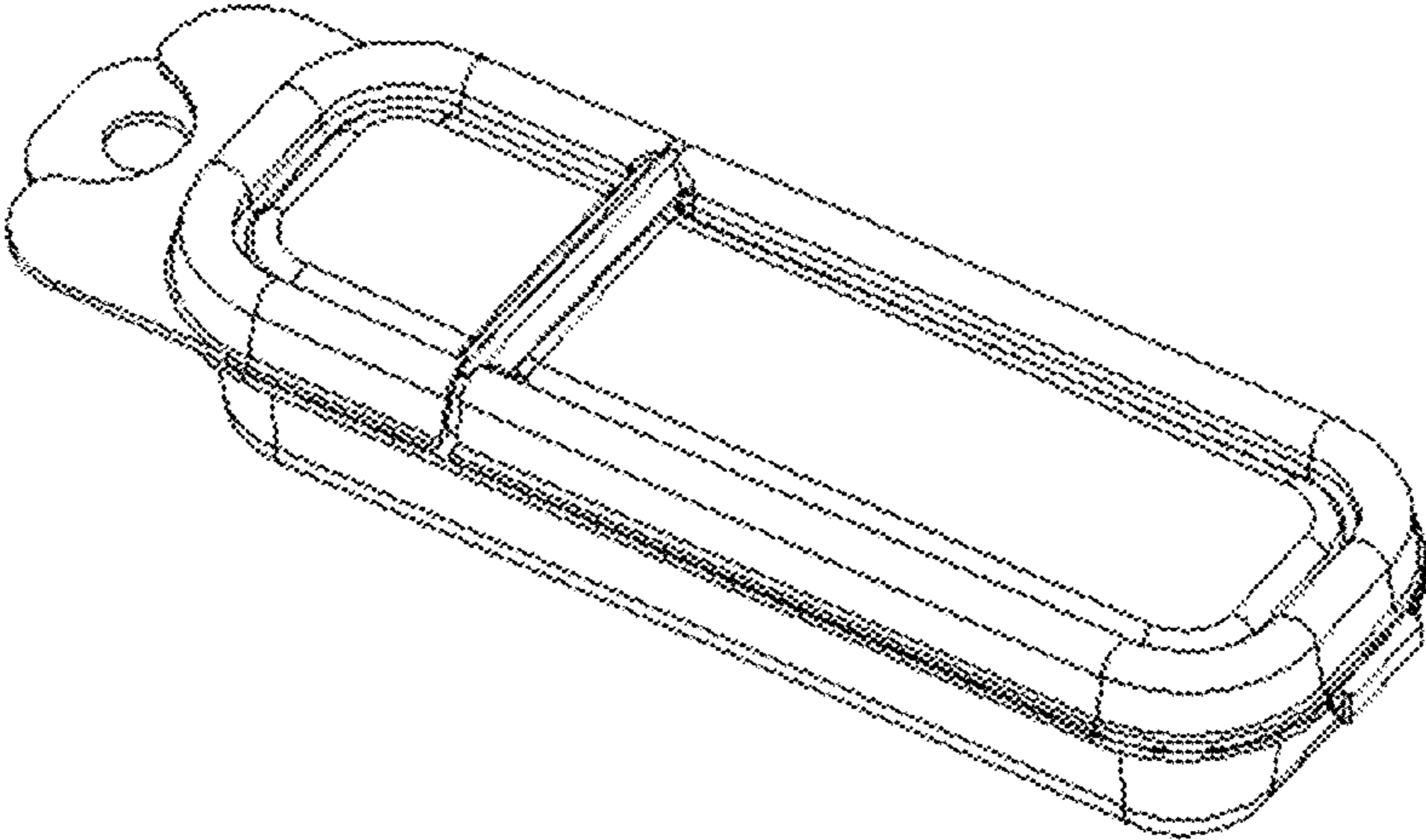


FIGURE 1

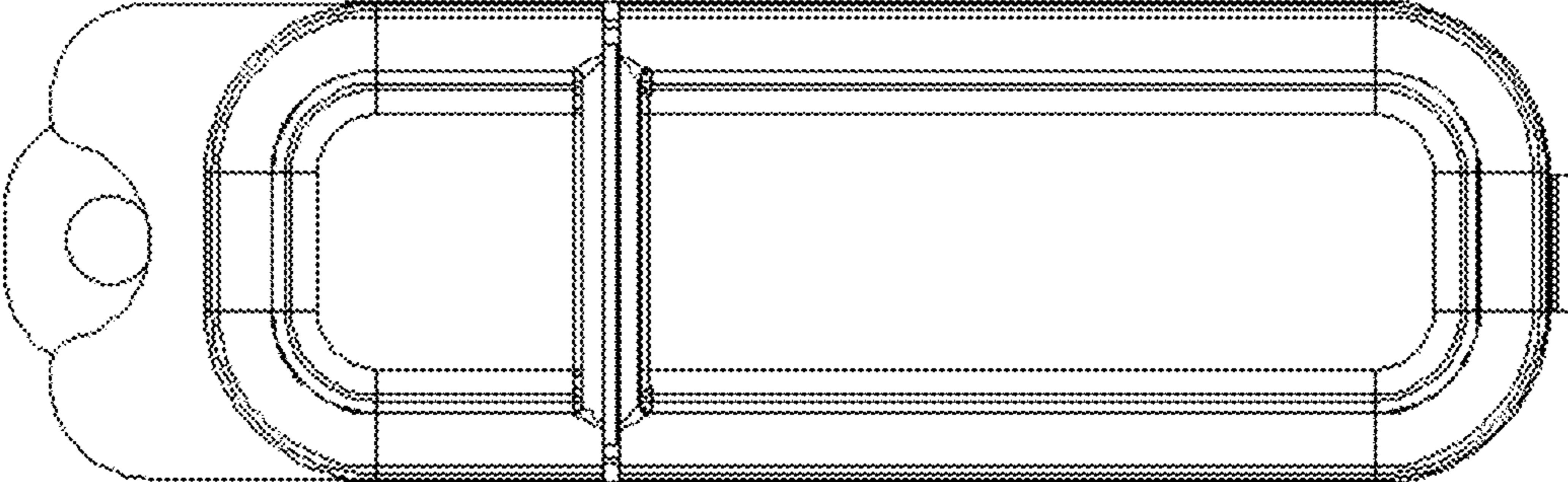


FIGURE 2

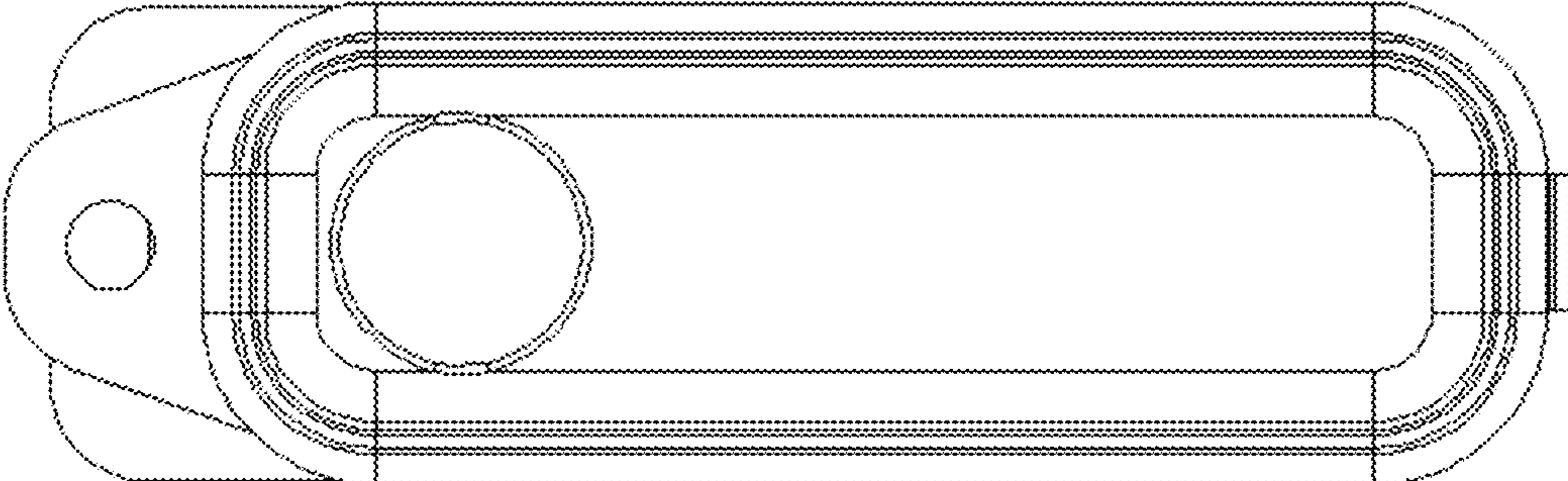


FIGURE 3

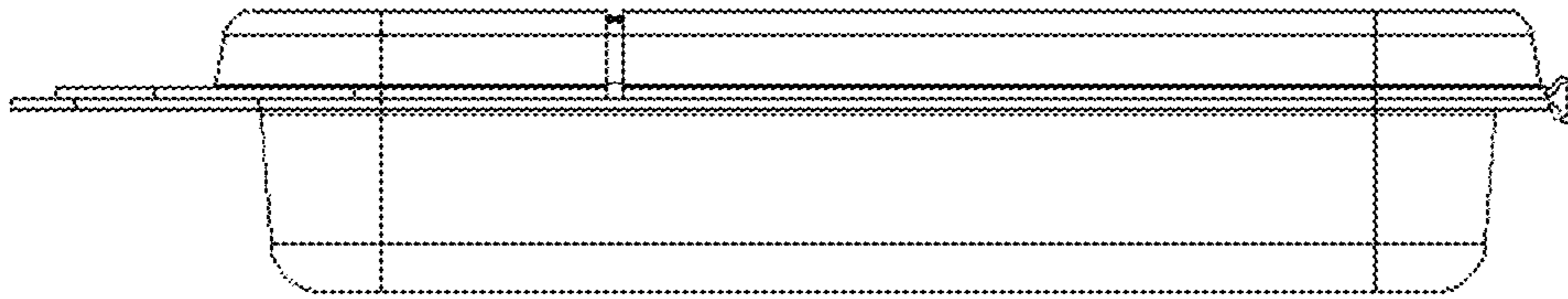


FIGURE 4

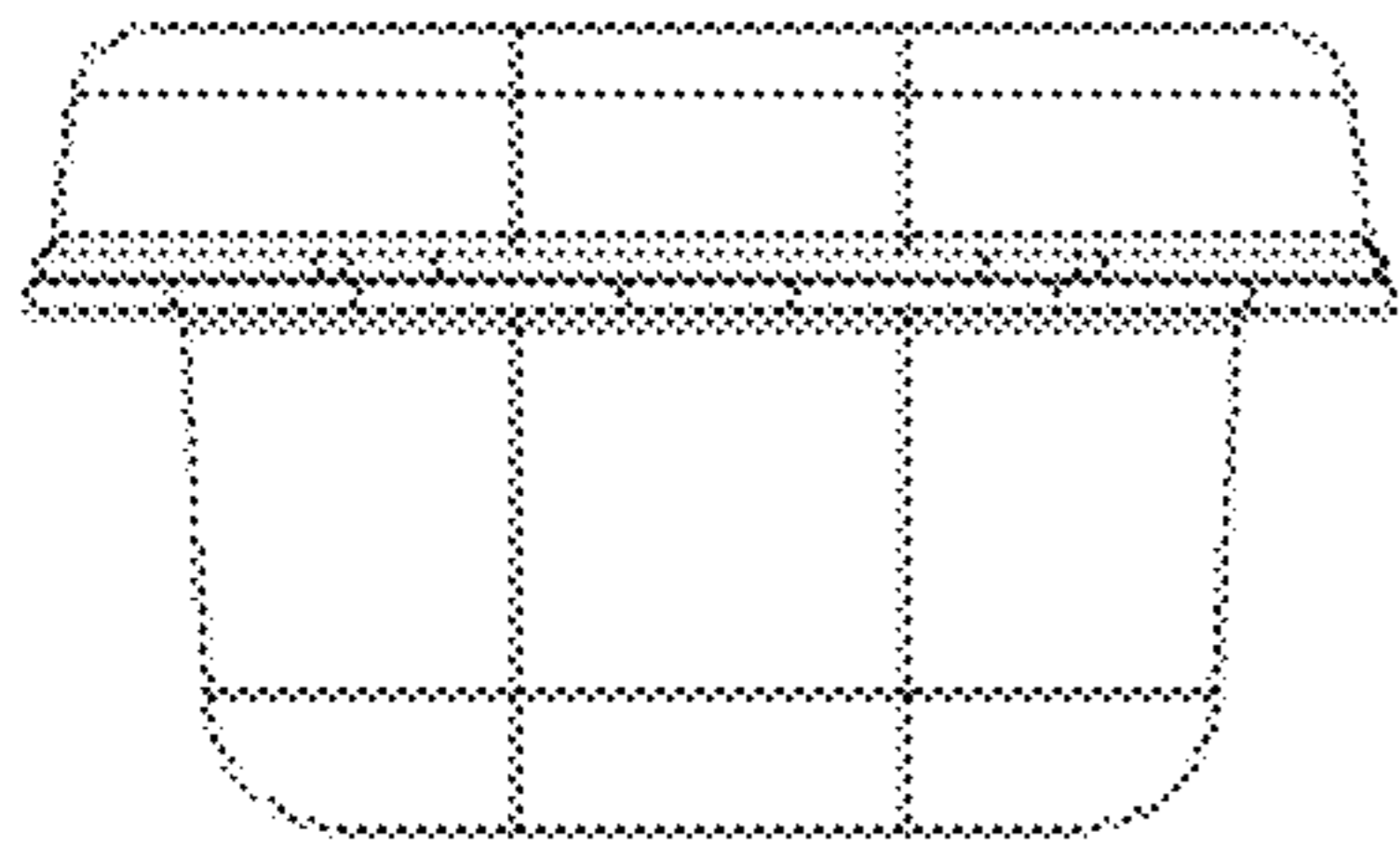


FIGURE 5

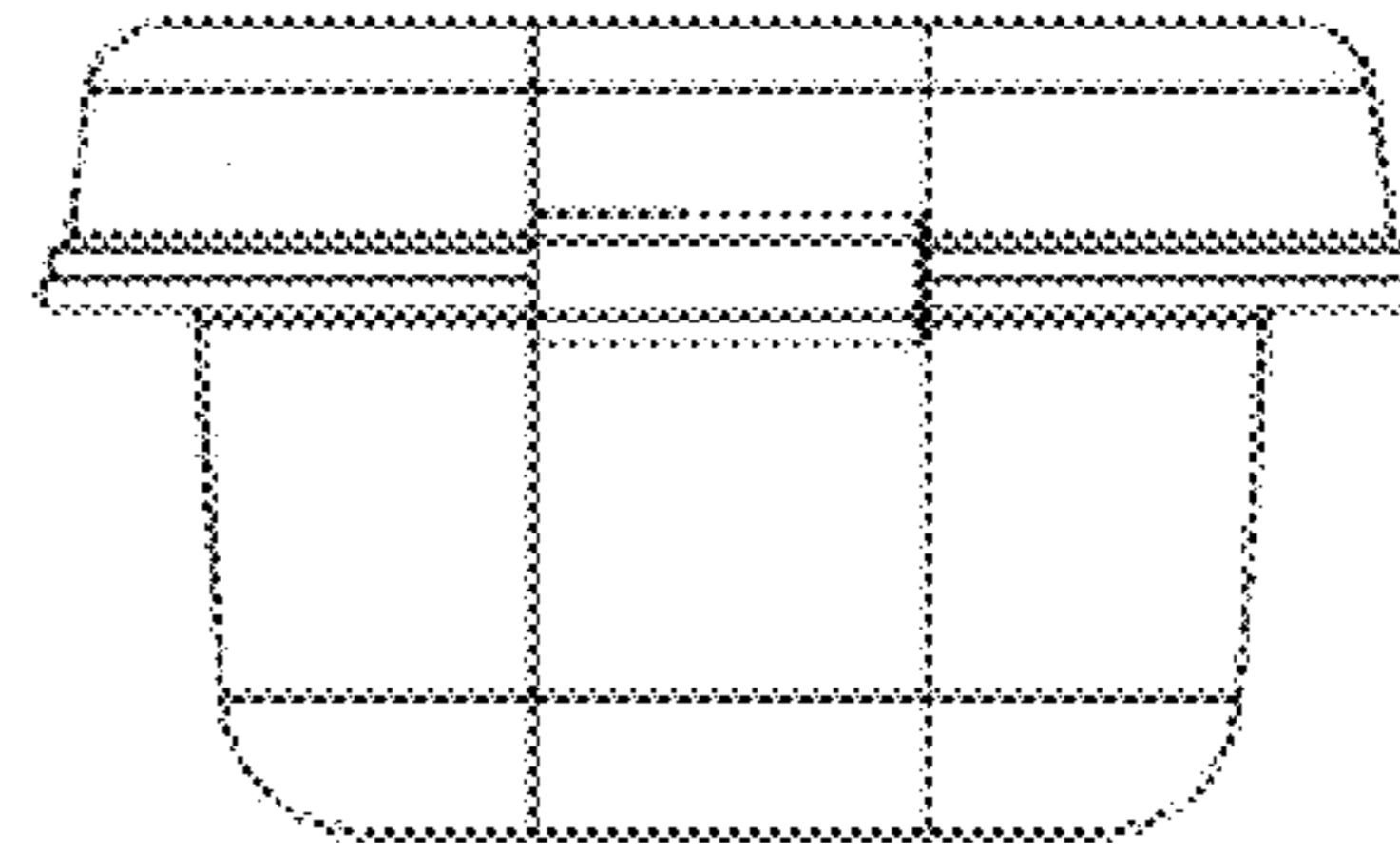


FIGURE 6

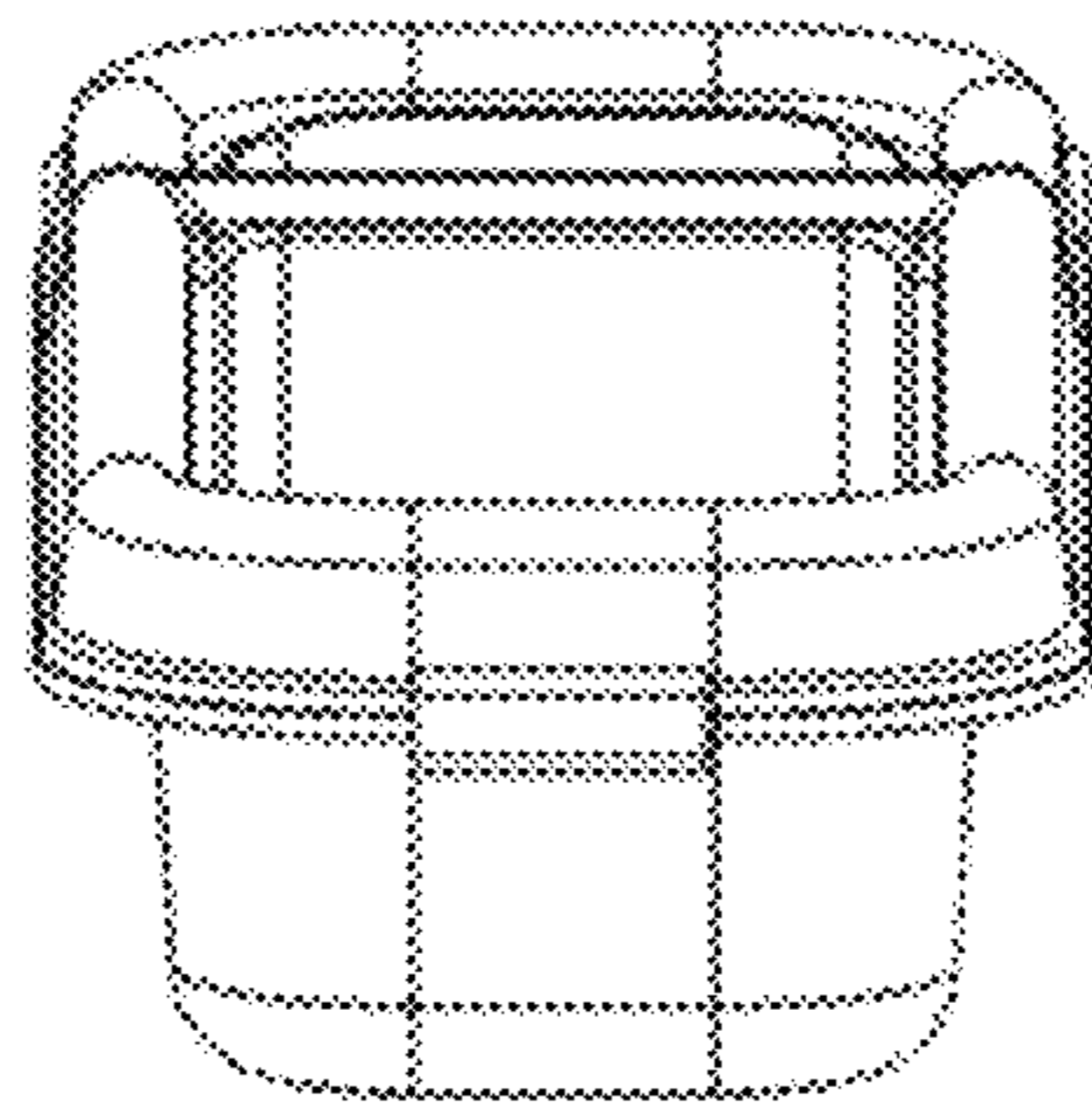


FIGURE 7

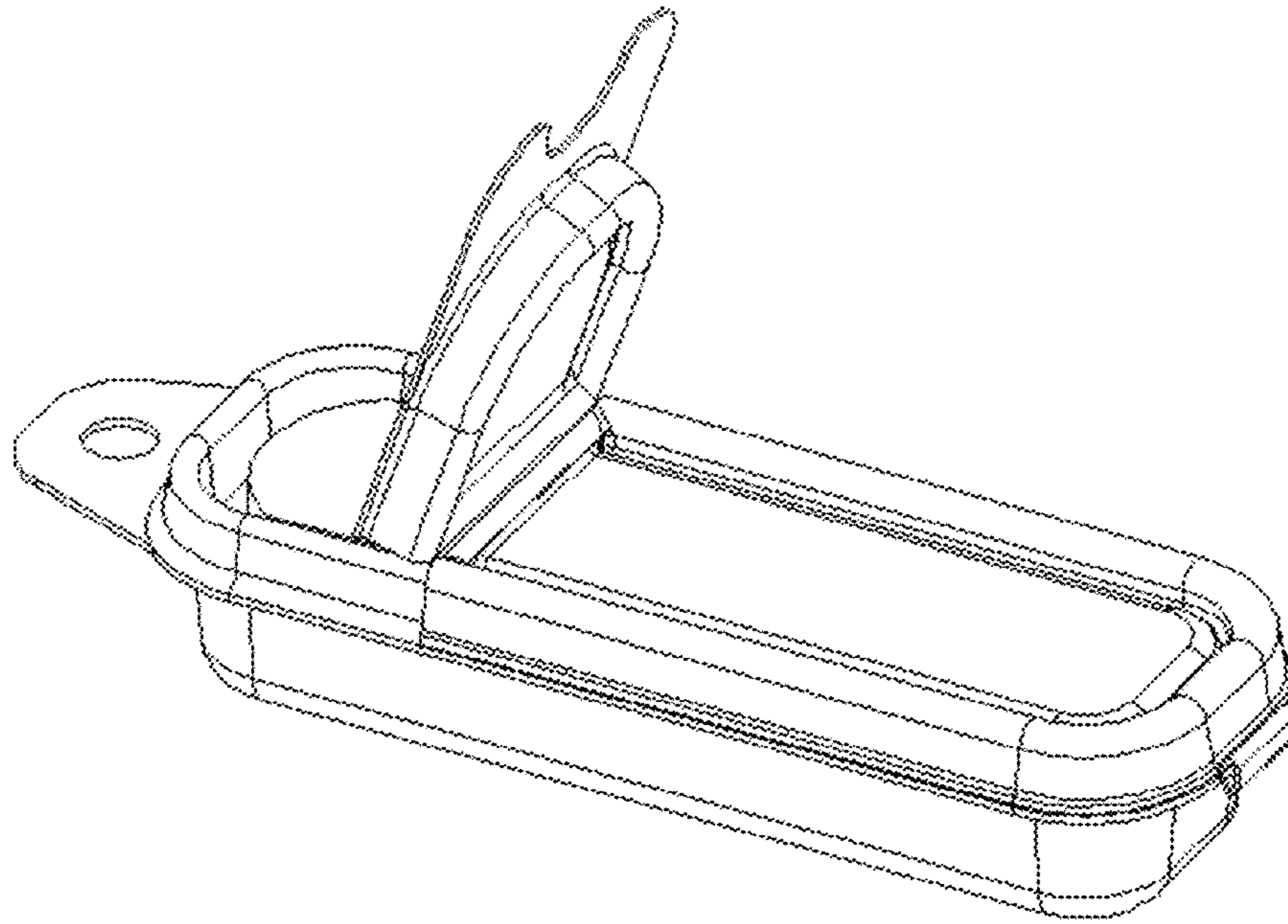


FIGURE 8

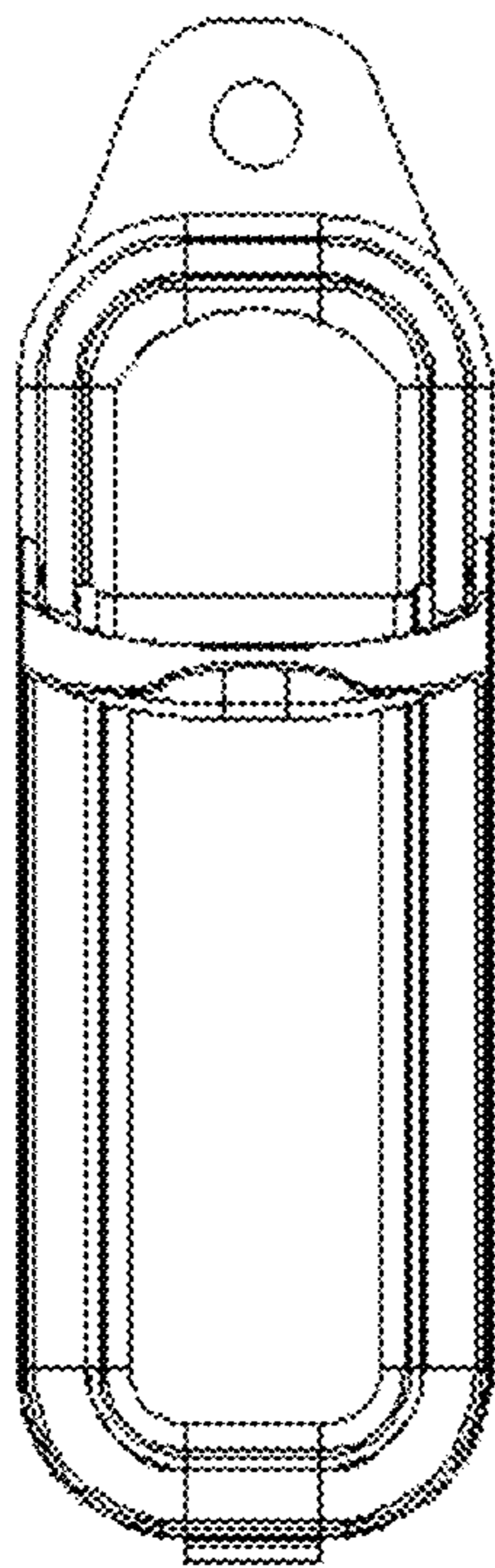


FIGURE 9

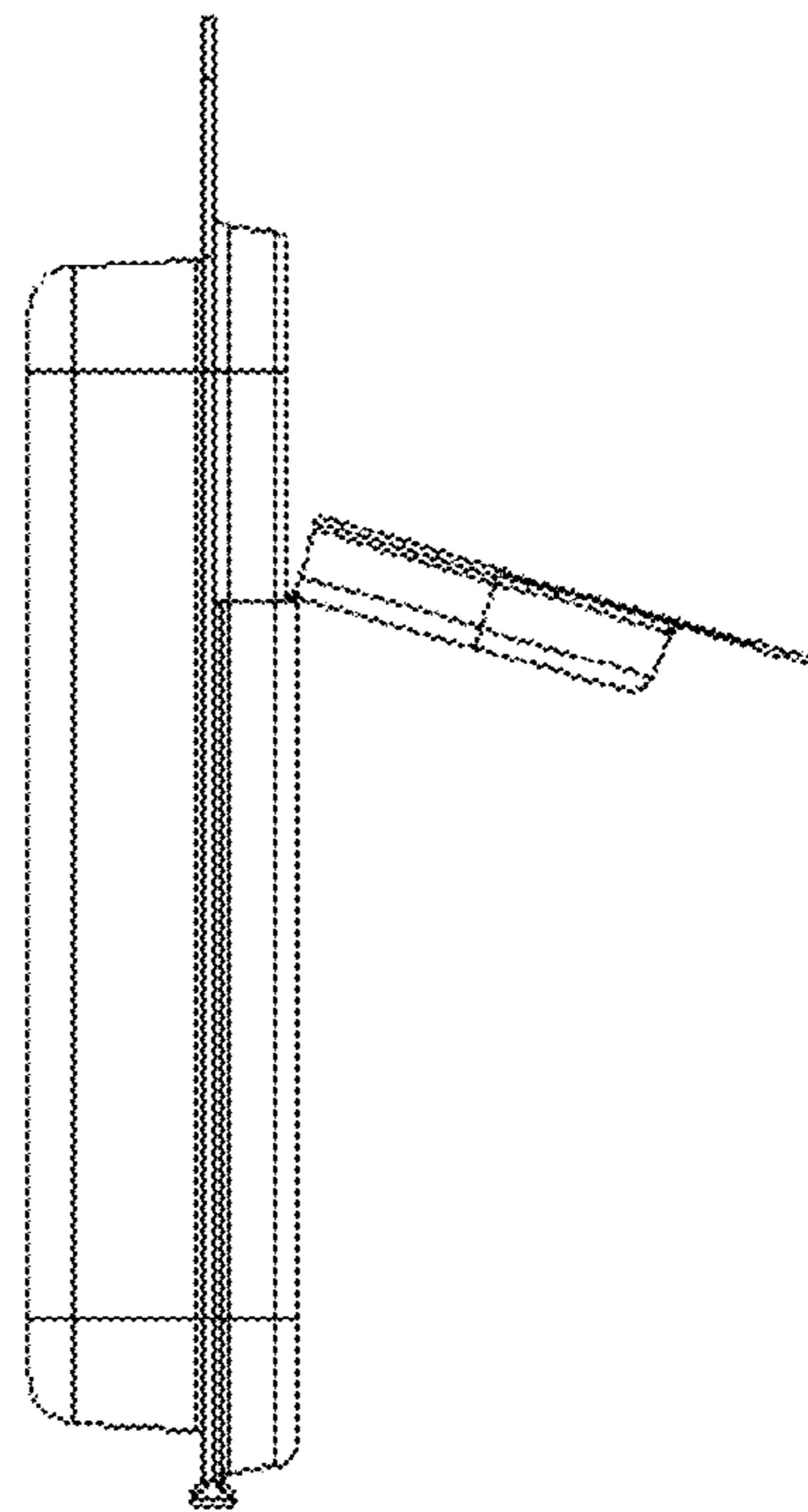


FIGURE 10

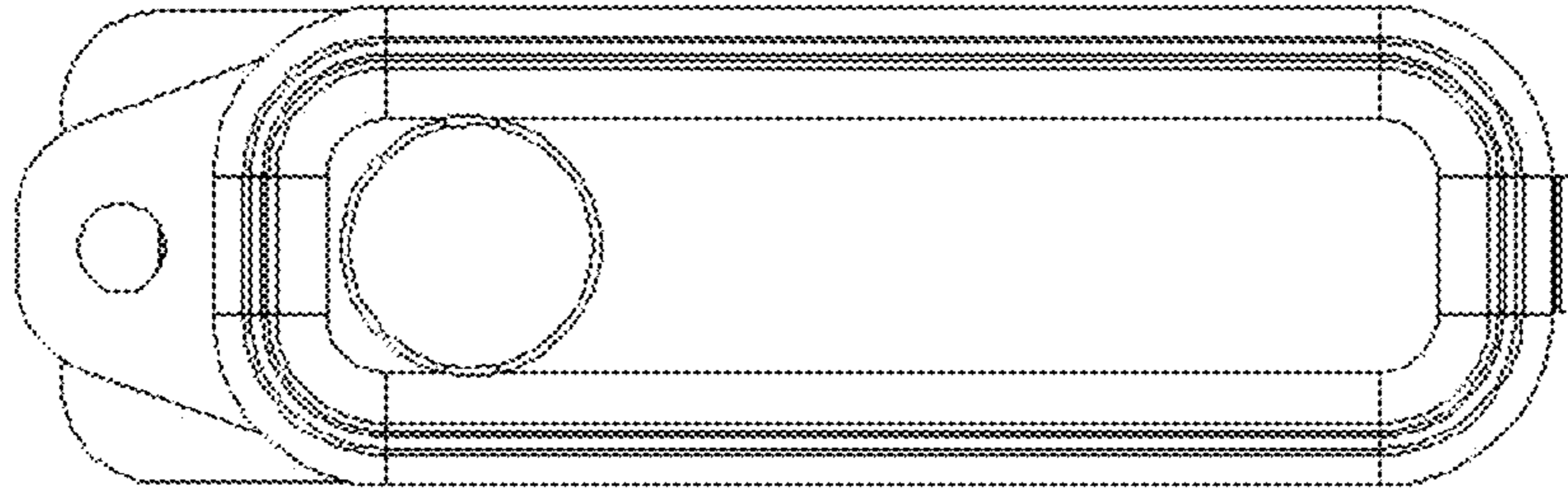


FIGURE 11

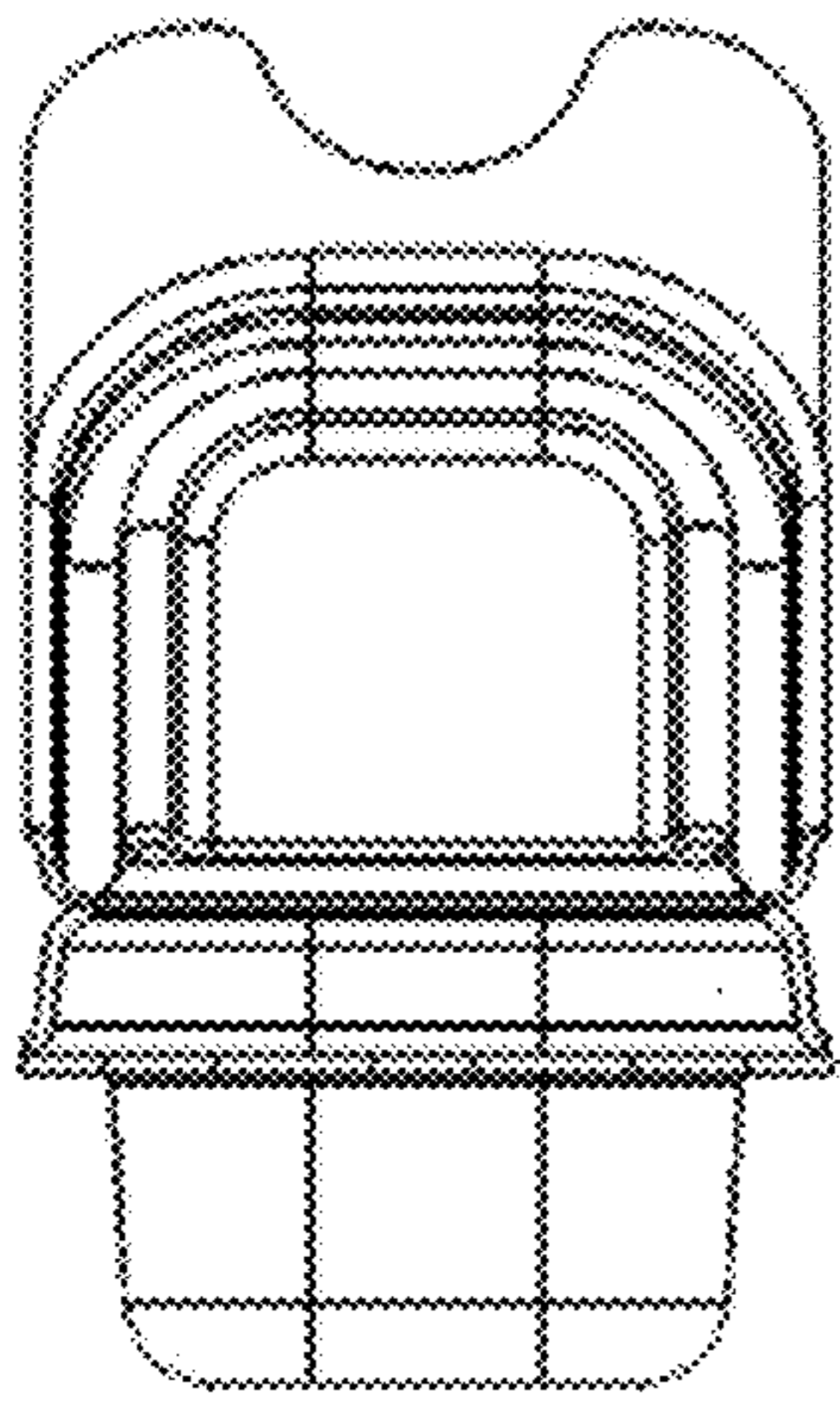


FIGURE 12

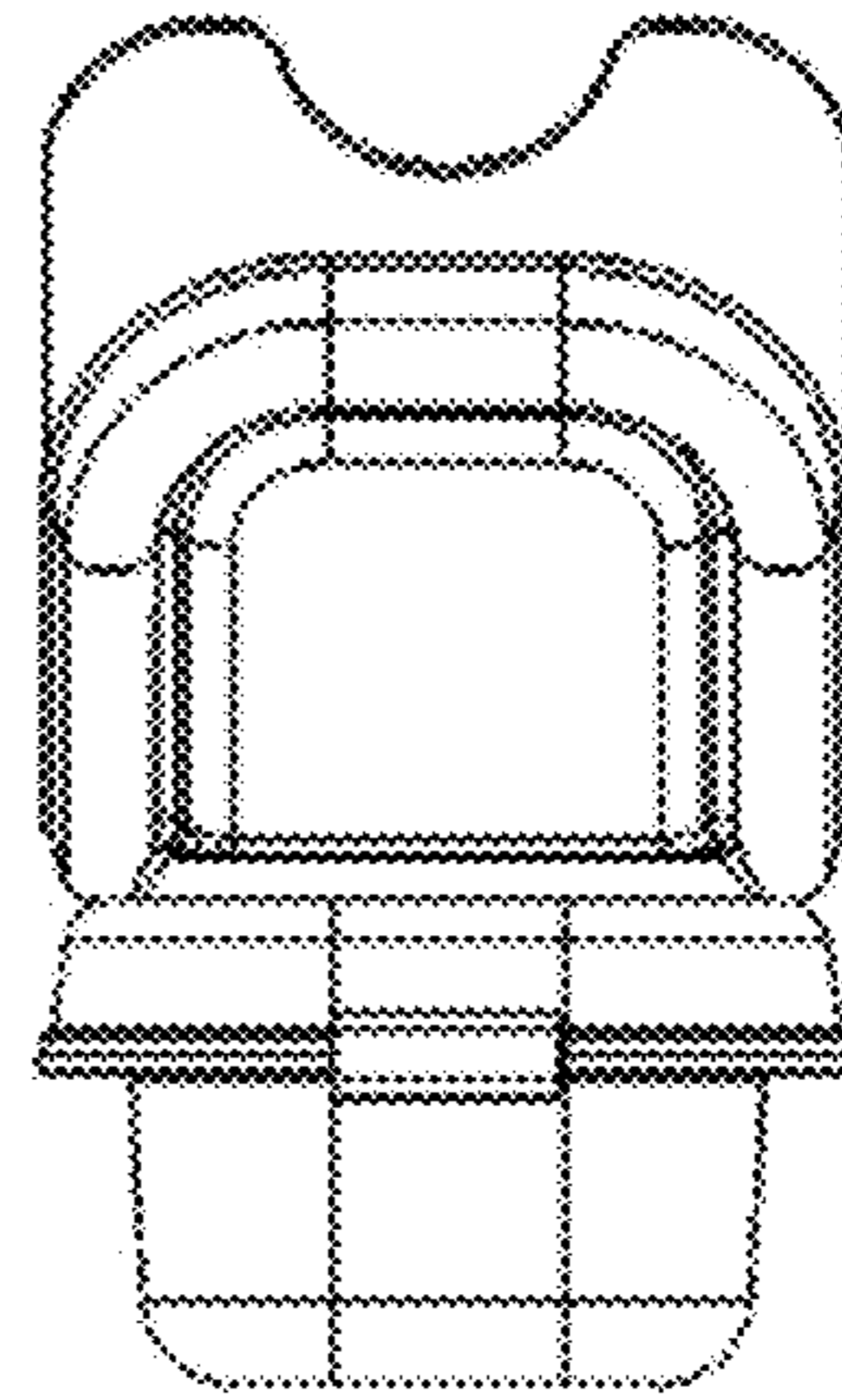


FIGURE 13

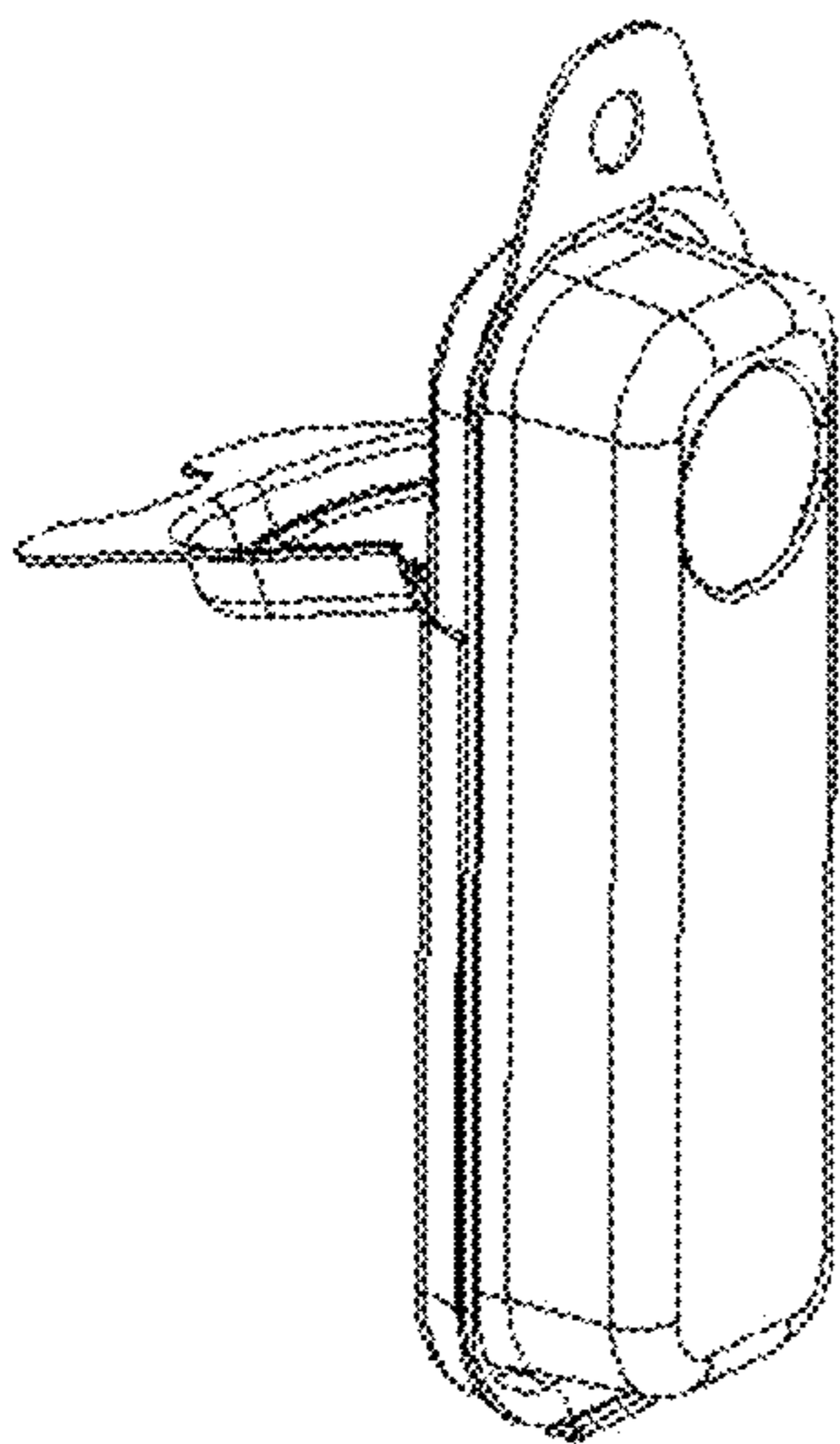


FIGURE 14

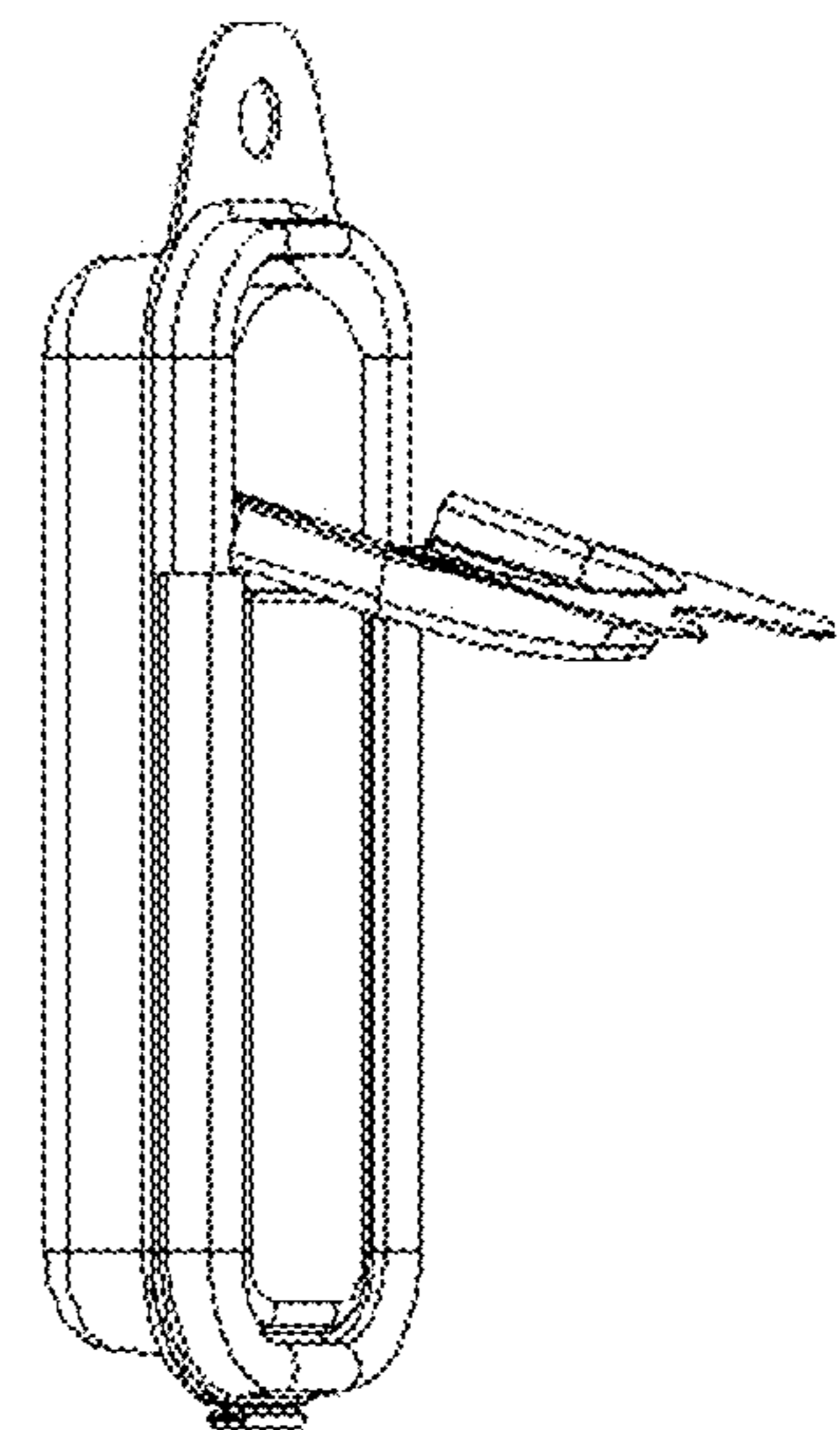


FIGURE 15