



US00D682350S

(12) **United States Design Patent**  
**Hagerty**

(10) **Patent No.:** **US D682,350 S**

(45) **Date of Patent:** **\*\* May 14, 2013**

(54) **BOOK WITH CARD INSERTS**

(71) Applicant: **Lauren Hagerty**, Eastchester, NY (US)

(72) Inventor: **Lauren Hagerty**, Eastchester, NY (US)

(\*\*) Term: **14 Years**

(21) Appl. No.: **29/435,441**

(22) Filed: **Oct. 24, 2012**

(51) **LOC (9) Cl.** ..... **19-04**

(52) **U.S. Cl.**  
USPC ..... **D19/26**

(58) **Field of Classification Search** ..... D19/1,  
D19/26–28, 32; 281/3.1, 15.1, 19.1, 21.1,  
281/22, 29, 38, 51

See application file for complete search history.

(56) **References Cited**

U.S. PATENT DOCUMENTS

3,146,004	A *	8/1964	Kidd	.....	281/3.1
D296,219	S *	6/1988	Gerard	.....	D19/26
4,832,191	A *	5/1989	Gerver et al.	.....	206/232
D311,220	S *	10/1990	Kam	.....	D19/26
4,964,508	A *	10/1990	Balsley	.....	206/37.1
D325,393	S *	4/1992	Schertz et al.	.....	D19/26
5,316,341	A *	5/1994	Schwartz	.....	281/15.1
5,375,883	A *	12/1994	Wyant	.....	281/37
D395,059	S *	6/1998	Bedol	.....	D19/32
6,213,670	B1 *	4/2001	Wien	.....	402/73
6,267,413	B1 *	7/2001	Tran	.....	281/29
2012/0098246	A1 *	4/2012	He et al.	.....	281/15.1

\* cited by examiner

*Primary Examiner* — T. Chase Nelson

*Assistant Examiner* — Kathleen M Sims

(74) *Attorney, Agent, or Firm* — Jennifer Meredith, Esq.;  
Meredith & Keyhani, PLLC

(57) **CLAIM**

I claim the ornamental design for the book with card inserts,  
as shown and described.

**DESCRIPTION**

FIG. 1 is a front perspective view of the book with card inserts  
showing our new design;

FIG. 2 is a back perspective view of the book with card  
inserts.

FIG. 3 is a front view of the book with card inserts.

FIG. 4 is a back view of the book with card inserts.

FIG. 5 is a left side view of the book with card inserts;

FIG. 6 is a right side view of the book with card inserts;

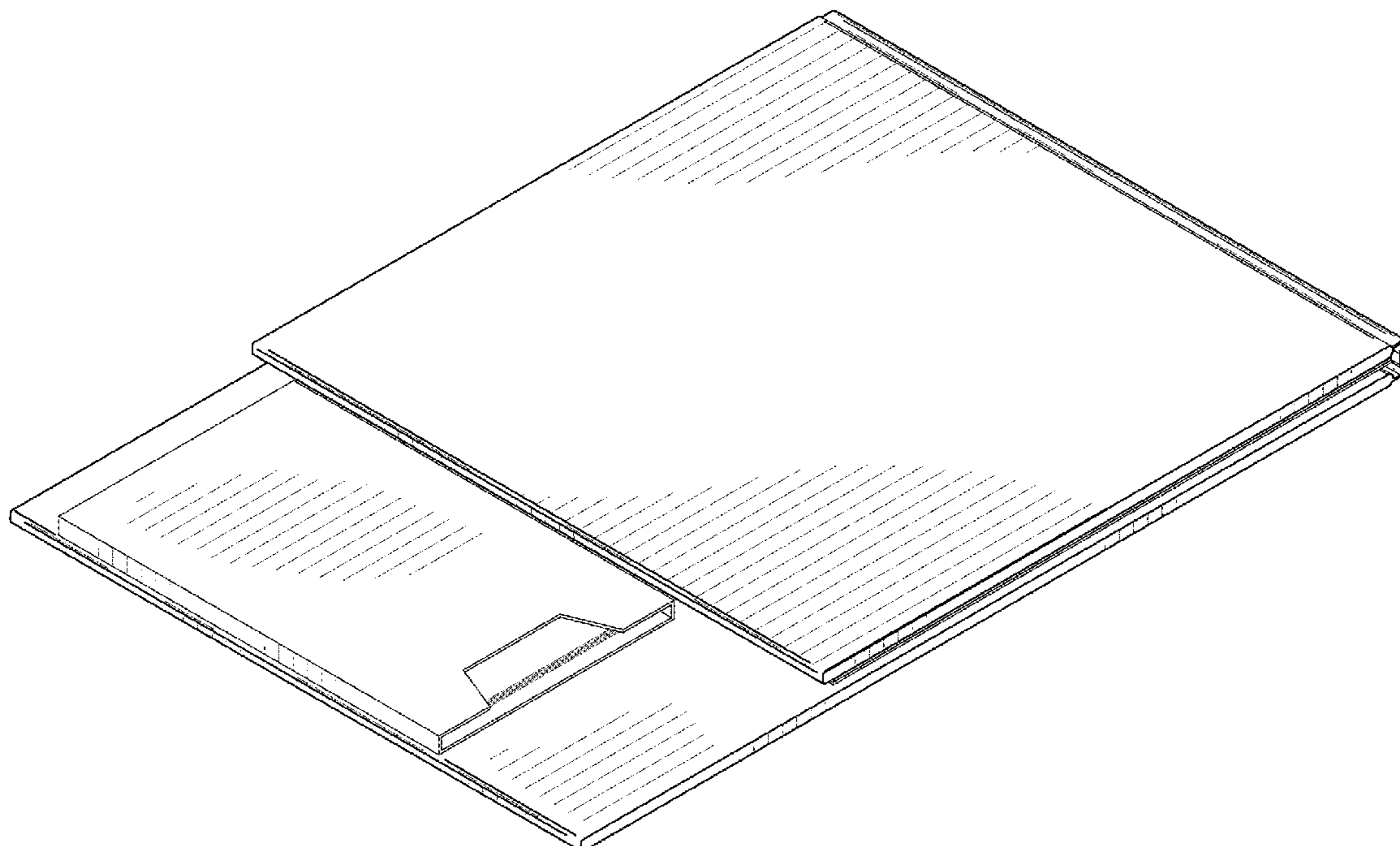
FIG. 7 is a top view of the book with card inserts;

FIG. 8 is a bottom view of the book with card inserts;

FIG. 9 is a top back perspective view of the book with card  
inserts in an opened position with the card insert portion  
removed to show the back perspective view of the card insert  
portion; and,

FIG. 10 is a front perspective view of the book with card  
inserts in an opened position with the card insert portion  
removed to show the front perspective view of the card insert  
portion.

**1 Claim, 8 Drawing Sheets**



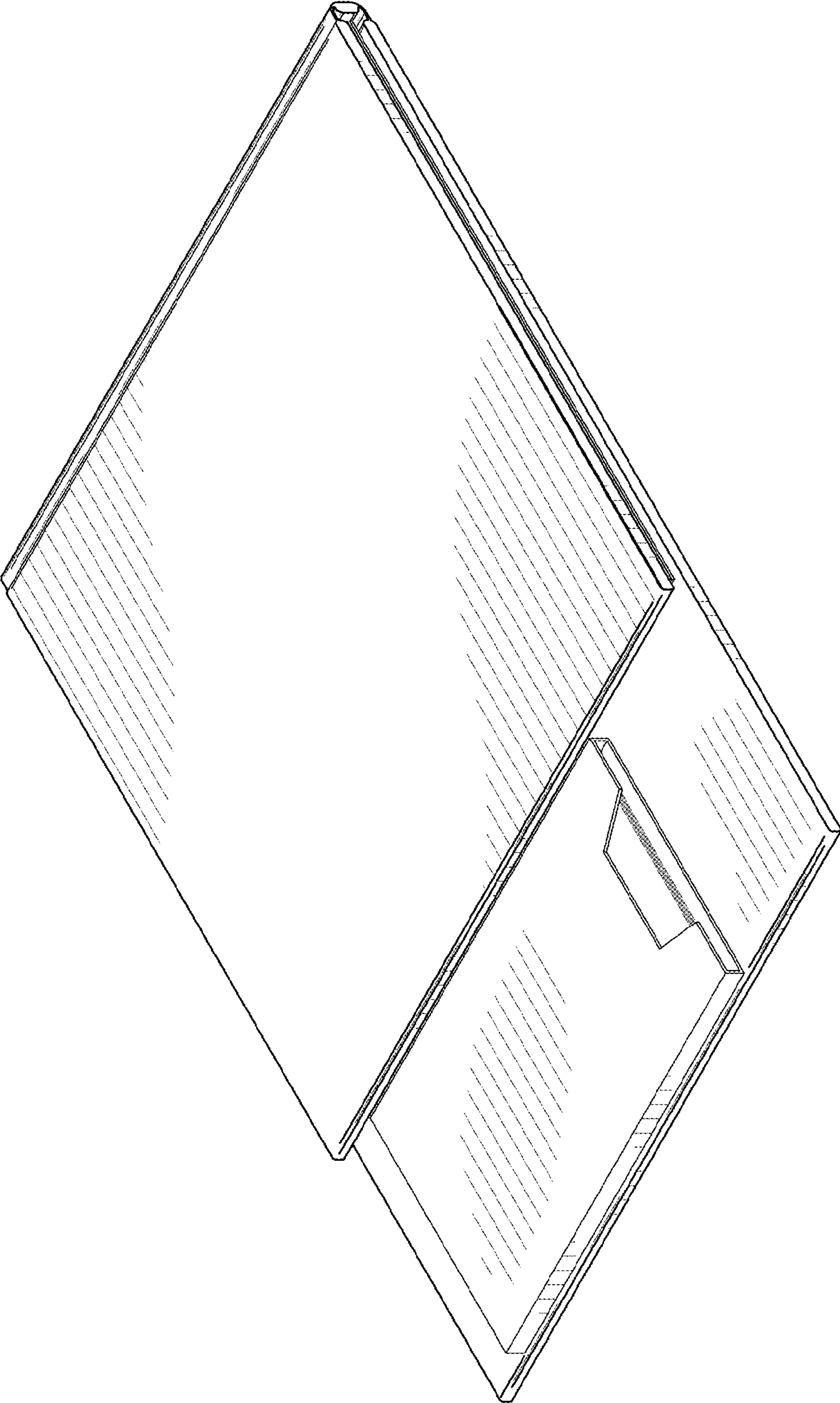


FIG. 1

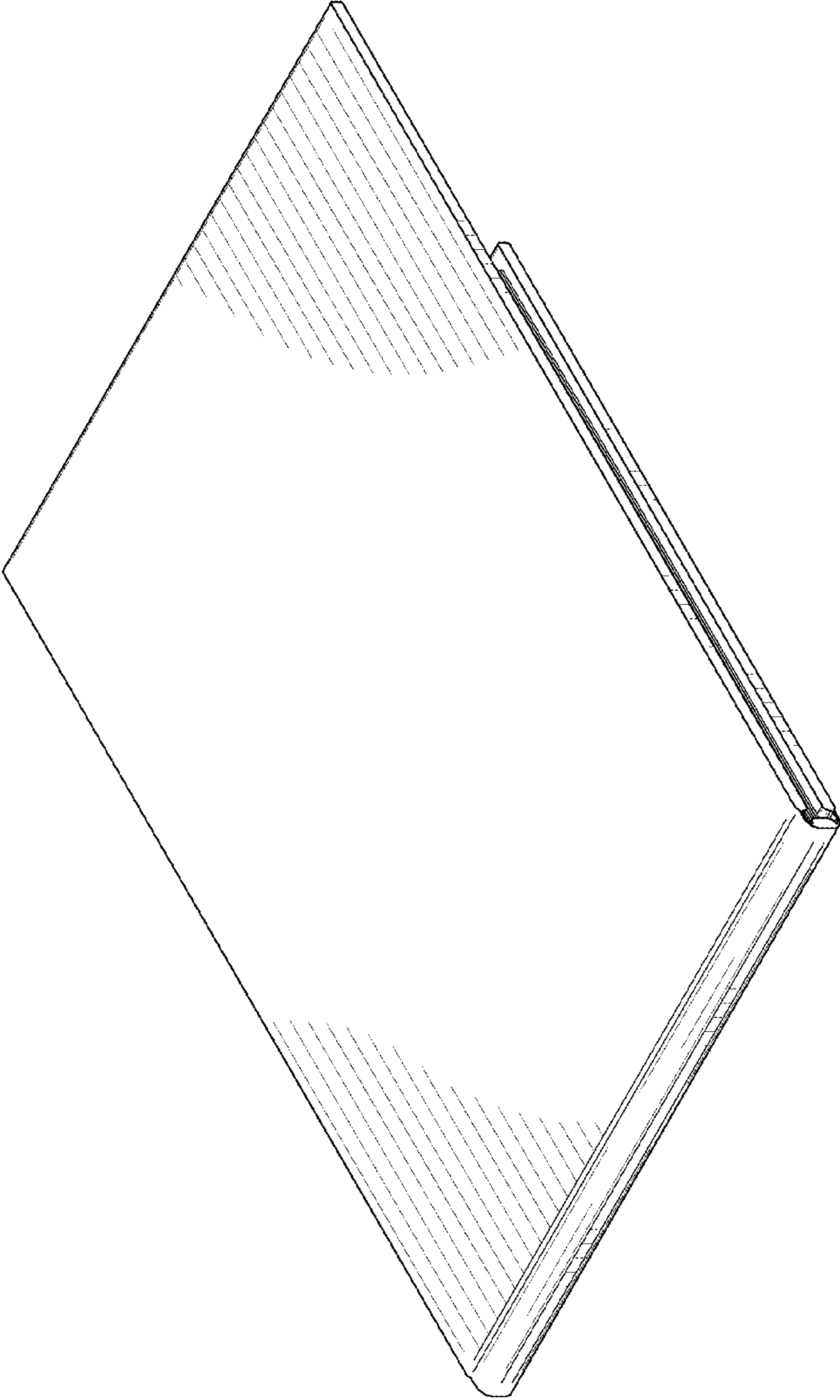


FIG. 2

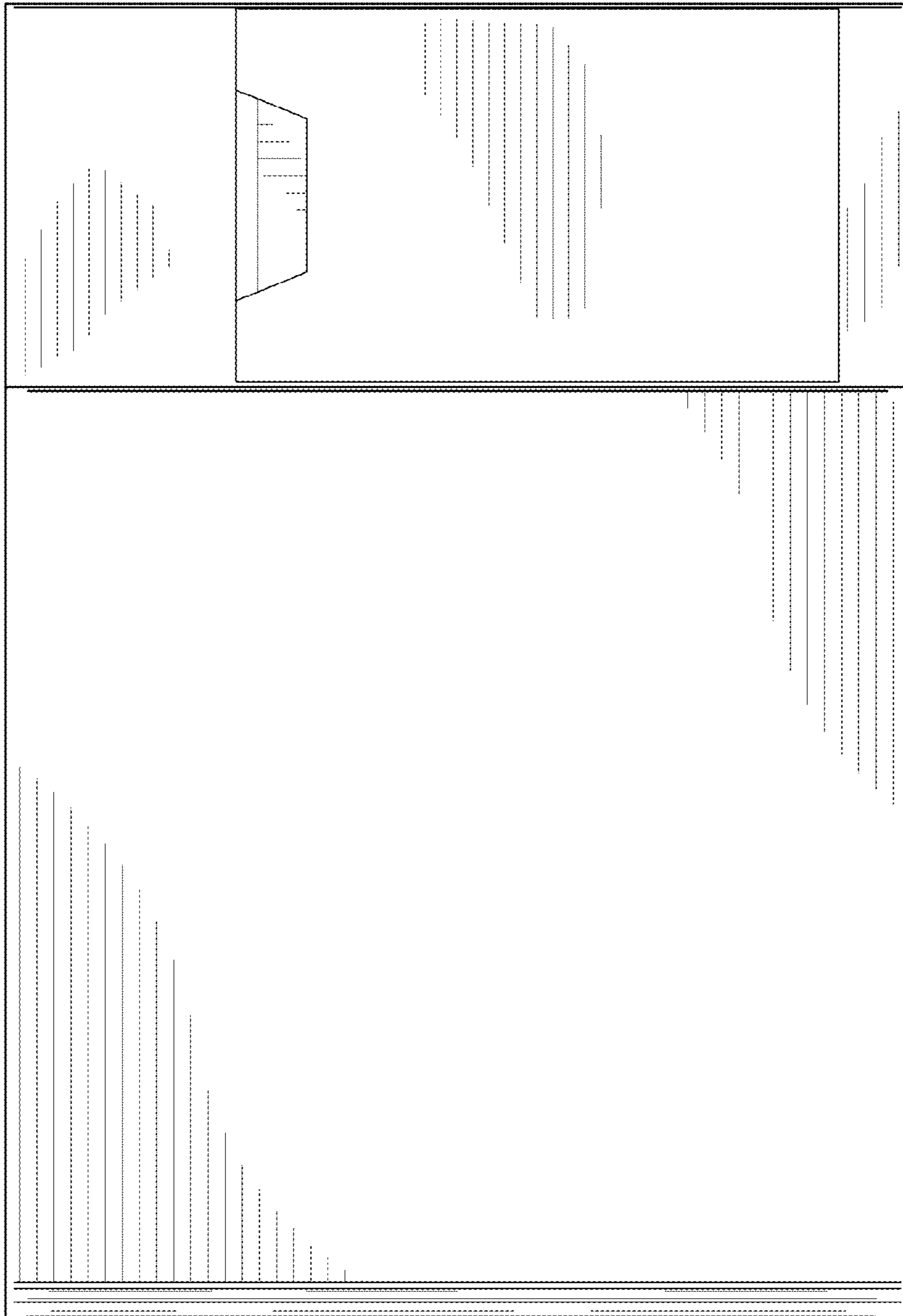


FIG. 3

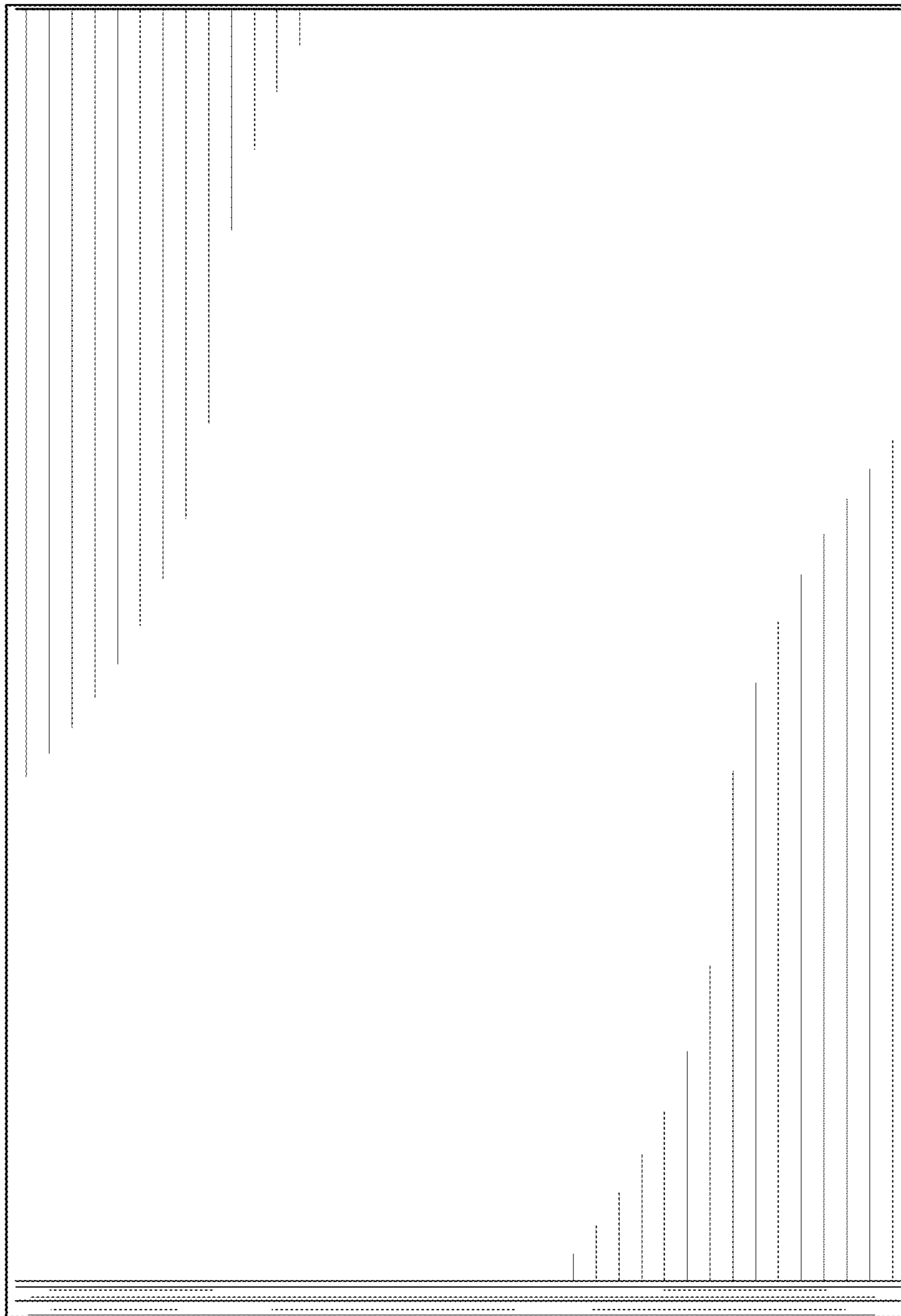


FIG. 4



FIG. 6



FIG. 5

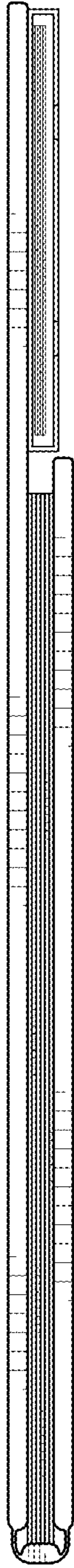


FIG. 7

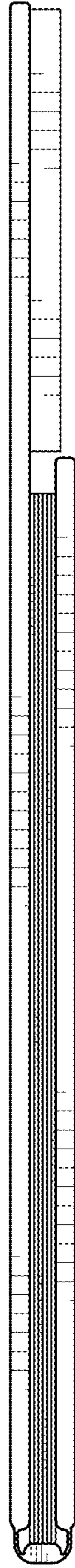


FIG. 8

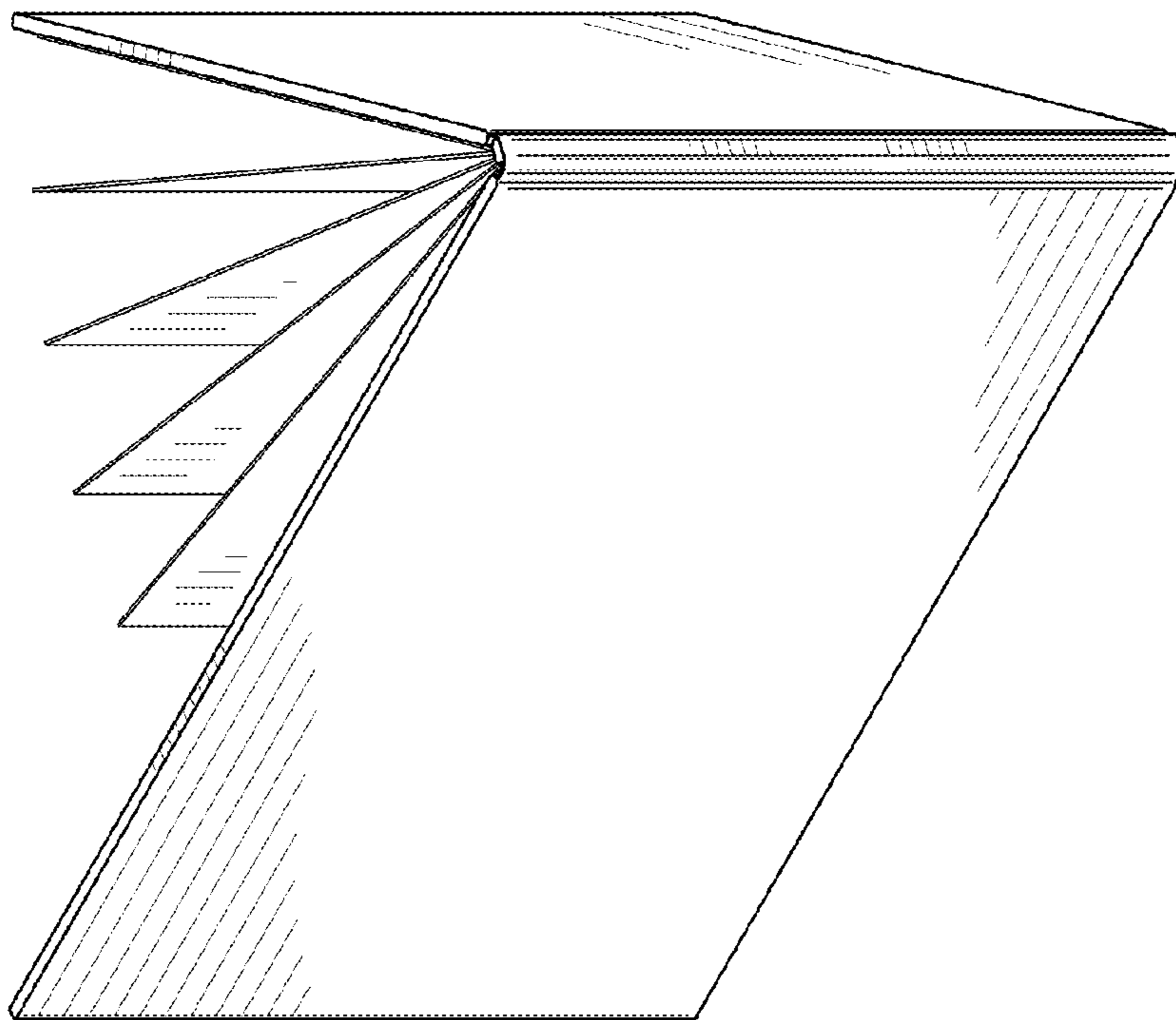
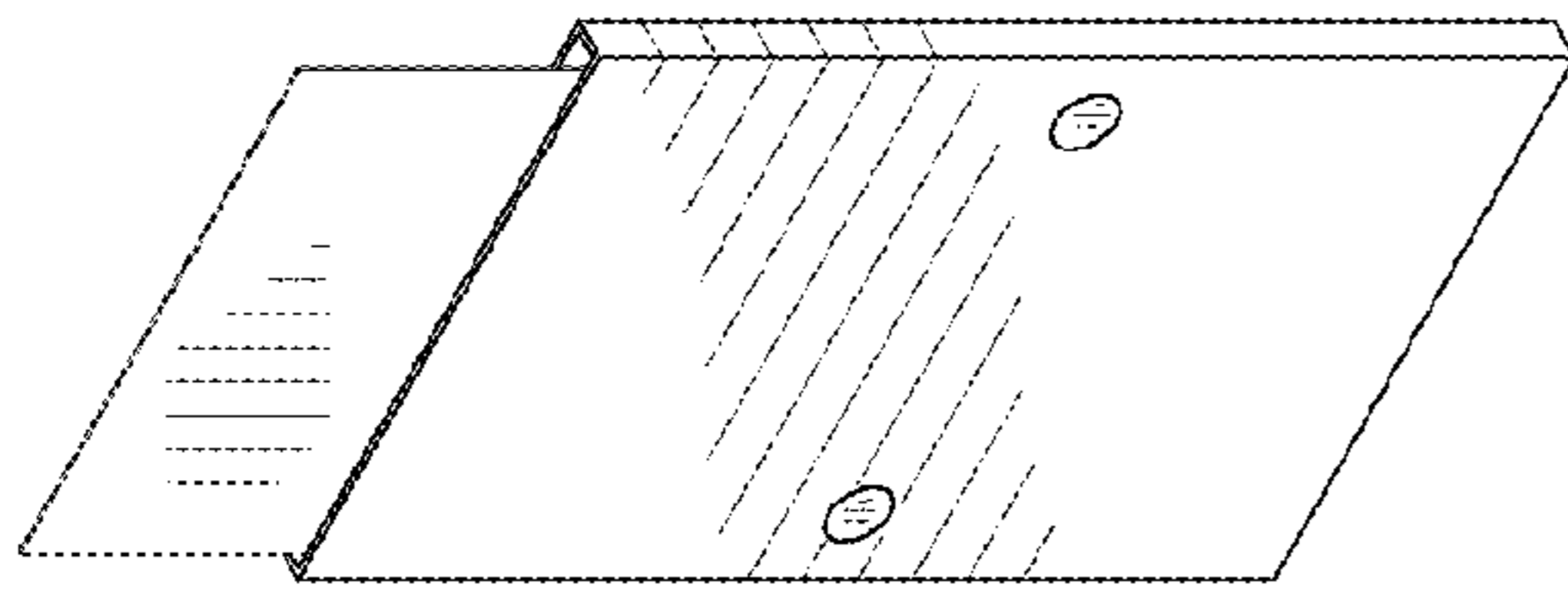


FIG. 9



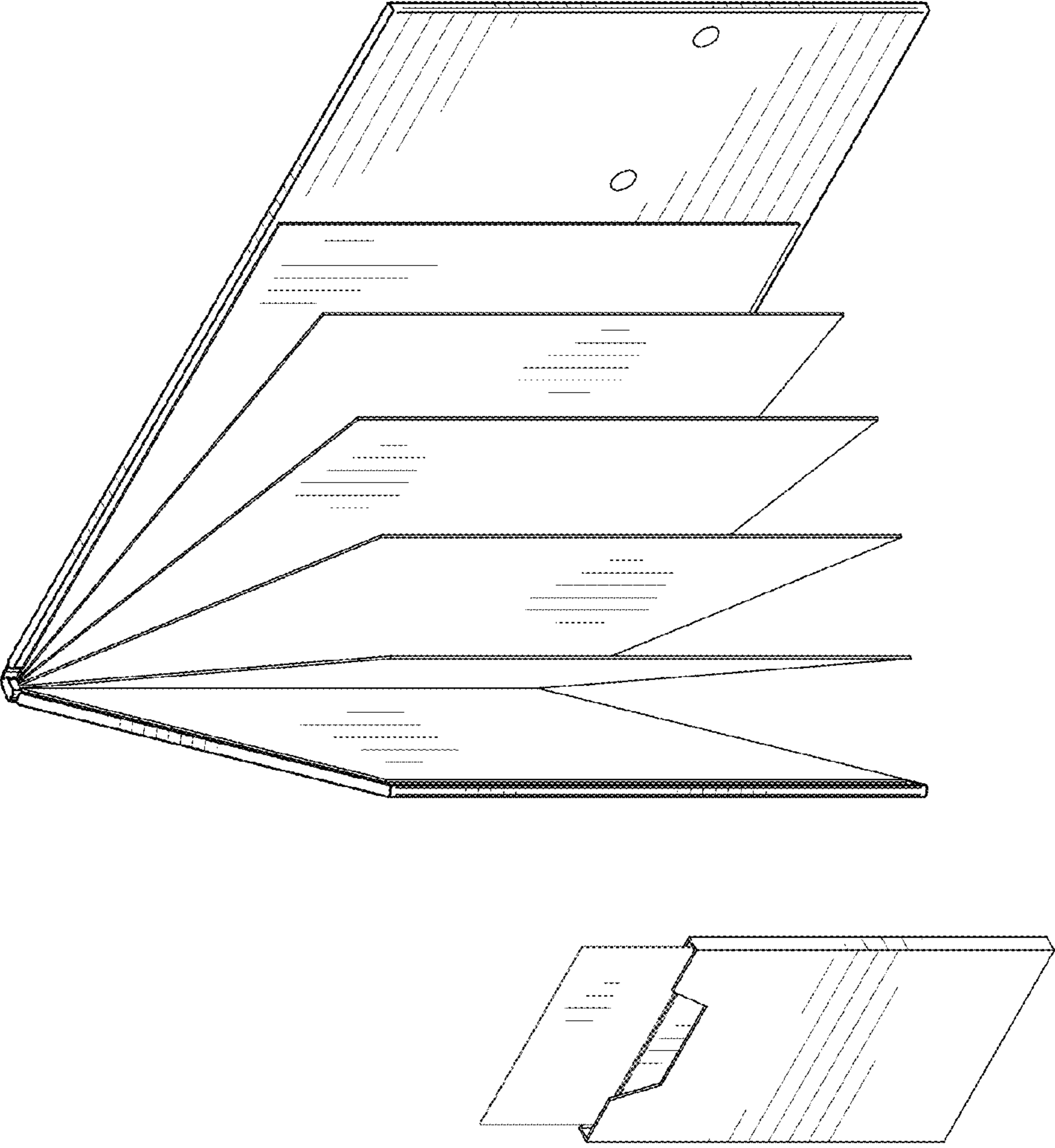


FIG. 10