



US00D682346S

(12) **United States Design Patent**
Bogdan et al.

(10) **Patent No.:** **US D682,346 S**

(45) **Date of Patent:** **** May 14, 2013**

(54) **MUSICAL INSTRUMENT PEDAL**

(75) Inventors: **John B. Bogdan**, Providence, UT (US);
Craig B. DeVries, Bountiful, UT (US);
James D. Pennock, Salt Lake City, UT
(US); **Robin M. Urry**, Draper, UT (US);
Roger T. Johnsen, Salt Lake City, UT
(US)

(73) Assignee: **Harman International Industries,
Incorporated**, Northridge, CA (US)

(**) Term: **14 Years**

(21) Appl. No.: **29/411,087**

(22) Filed: **Jan. 17, 2012**

(51) **LOC (9) Cl.** **17-03**

(52) **U.S. Cl.**
USPC **D17/20**

(58) **Field of Classification Search** D17/20,
D17/21, 99; 84/214, 298, 299, 312 R, 313,
84/317, 318, 454, 455, 312 P, 200
See application file for complete search history.

(56) **References Cited**

U.S. PATENT DOCUMENTS

D236,212 S *	8/1975	Beigel et al.	D17/99
D275,111 S *	8/1984	Chapman	D17/20
D331,769 S *	12/1992	Stevenson	D17/99
D376,365 S *	12/1996	Kawada	D14/217
D520,553 S *	5/2006	Bogdan et al.	D17/20
D592,696 S *	5/2009	Goodyay	D17/20

D604,760 S *	11/2009	Small	D17/20
D630,616 S *	1/2011	Vex	D14/217
D637,645 S *	5/2011	Koursaris	D17/99

* cited by examiner

Primary Examiner — Rashida Johnson

(74) *Attorney, Agent, or Firm* — Plumsea Law Group, LLC

(57) **CLAIM**

The ornamental design for a musical instrument pedal, as shown and described.

DESCRIPTION

FIG. 1 is a perspective view of a musical instrument pedal showing a first embodiment of our new design;

FIG. 2 is a top plan view thereof;

FIG. 3 is a side elevational view of one side thereof;

FIG. 4 is a side elevational view of the opposite side thereof;

FIG. 5 is an end elevational view thereof viewed from the top side of FIG. 2;

FIG. 6 is an end elevational view thereof viewed from the bottom side of FIG. 2;

FIG. 7 is a perspective view of a musical instrument pedal showing a second embodiment of our new design;

FIG. 8 is a top plan view thereof;

FIG. 9 is a side elevational view of one side thereof;

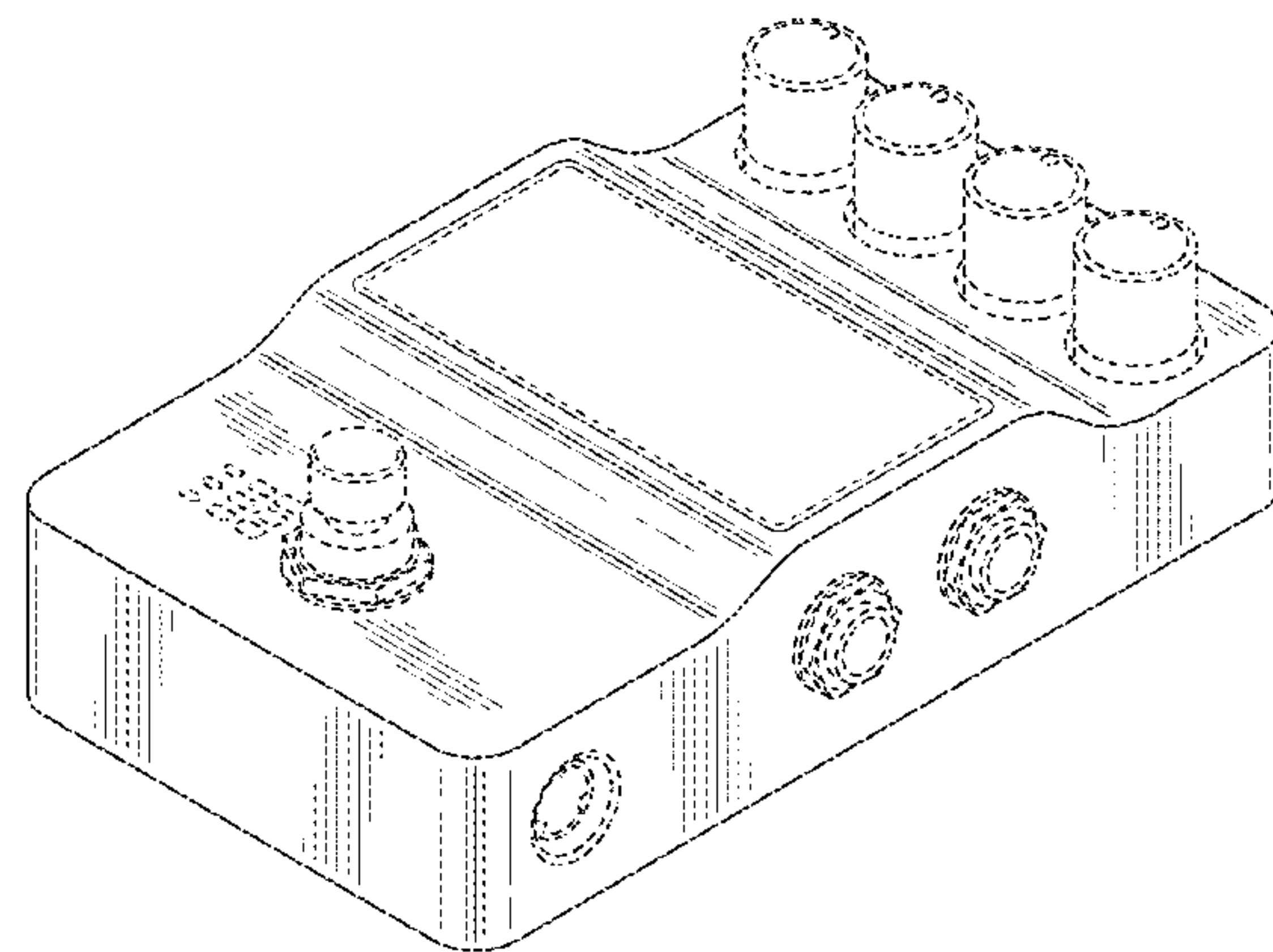
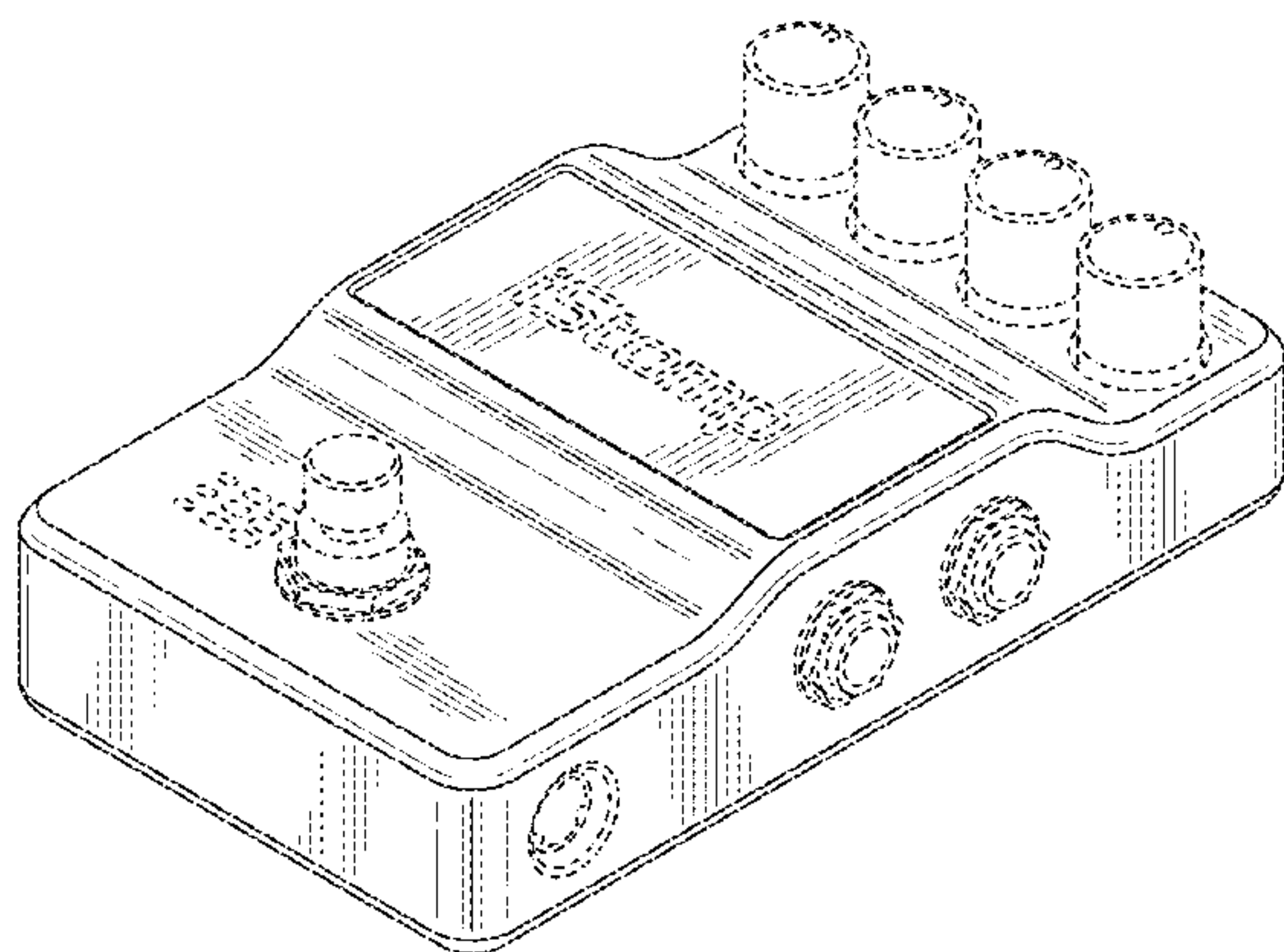
FIG. 10 is a side elevational view of the opposite side thereof;

FIG. 11 is an end elevational view thereof viewed from the top side of FIG. 8; and,

FIG. 12 is an end elevational view thereof viewed from the bottom side of FIG. 8.

The broken line showings form no part of the claimed design.

1 Claim, 8 Drawing Sheets



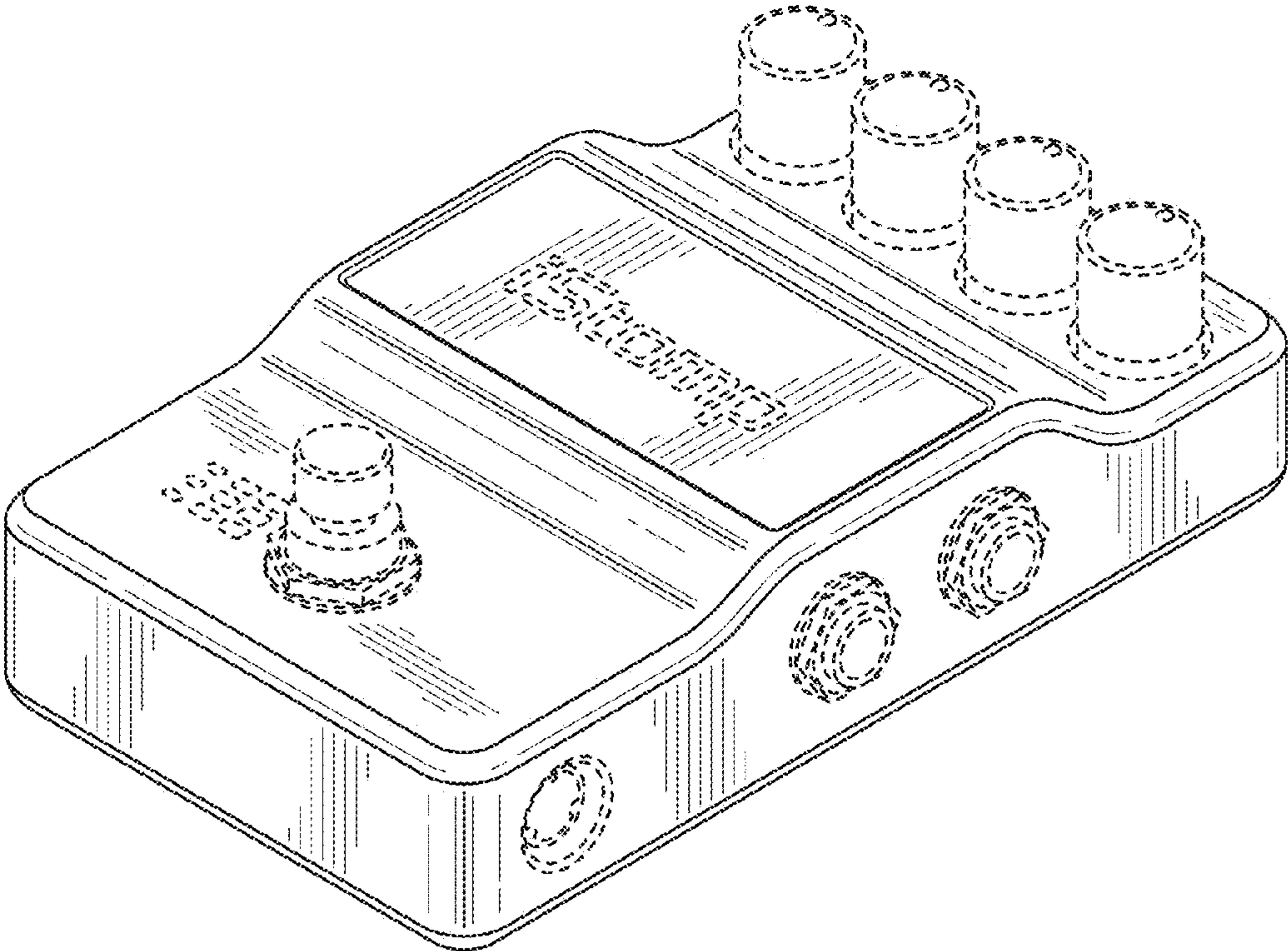


FIG. 1

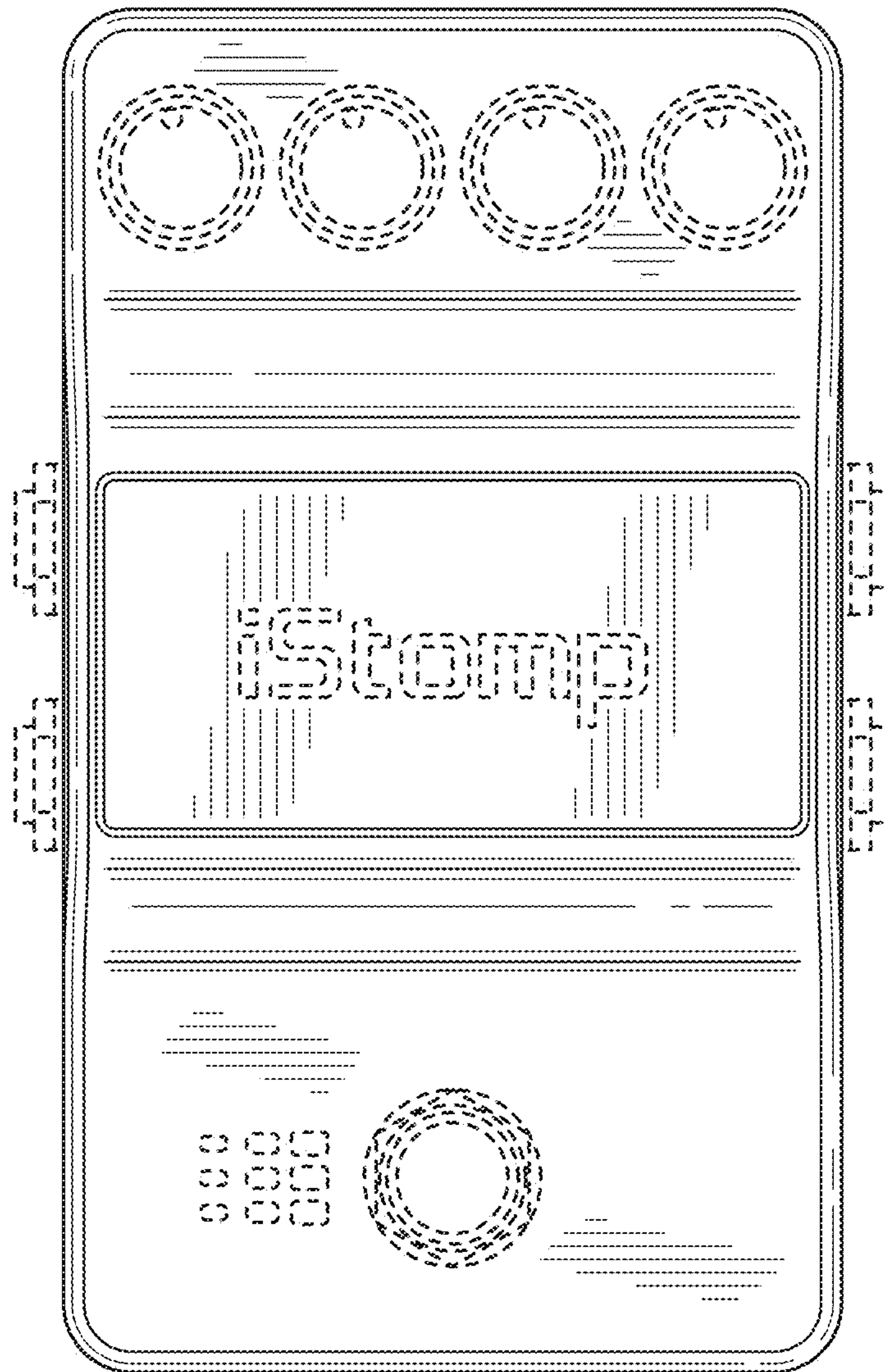


FIG. 2

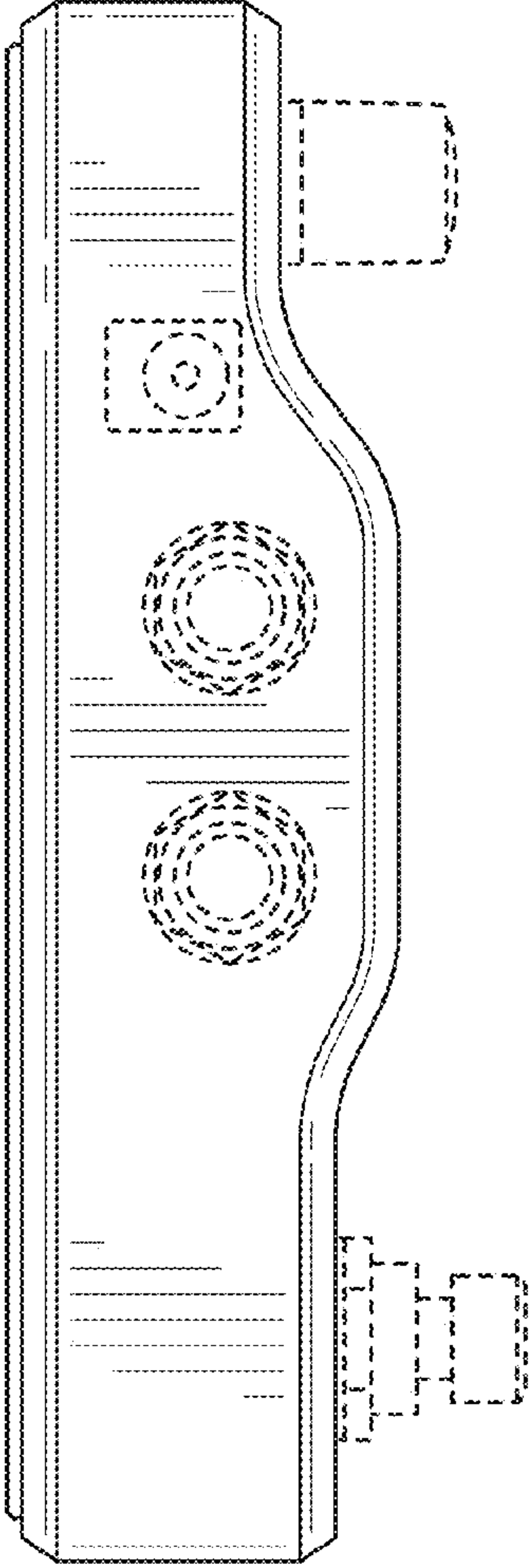


FIG. 3

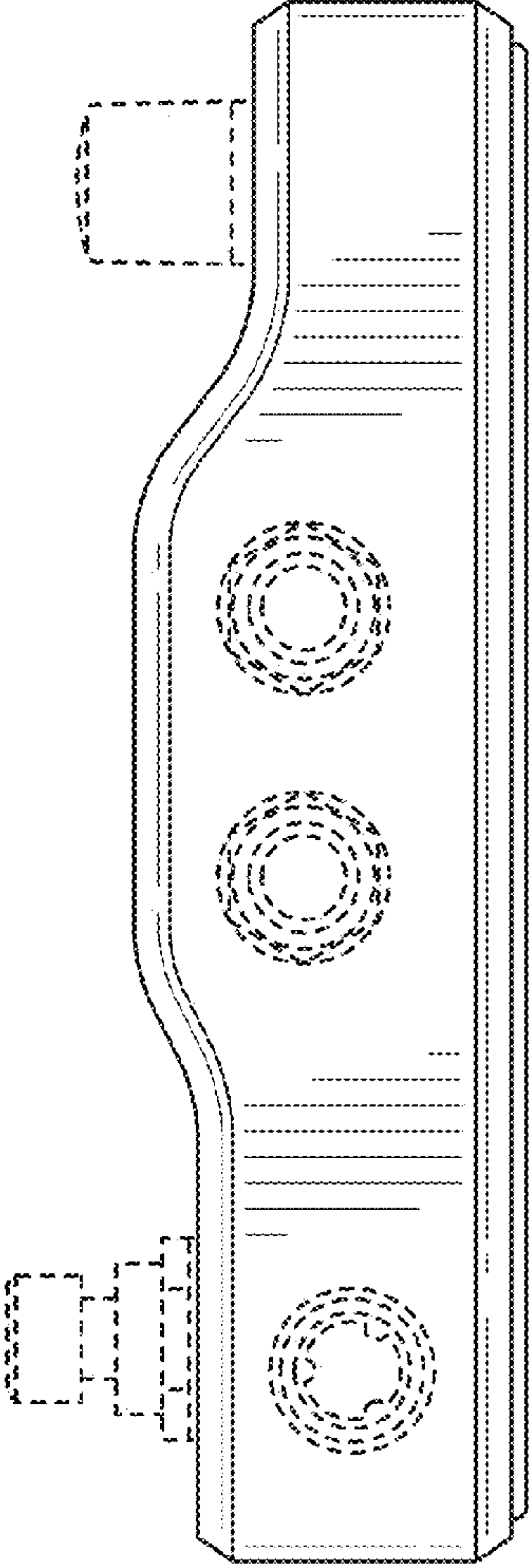


FIG. 4

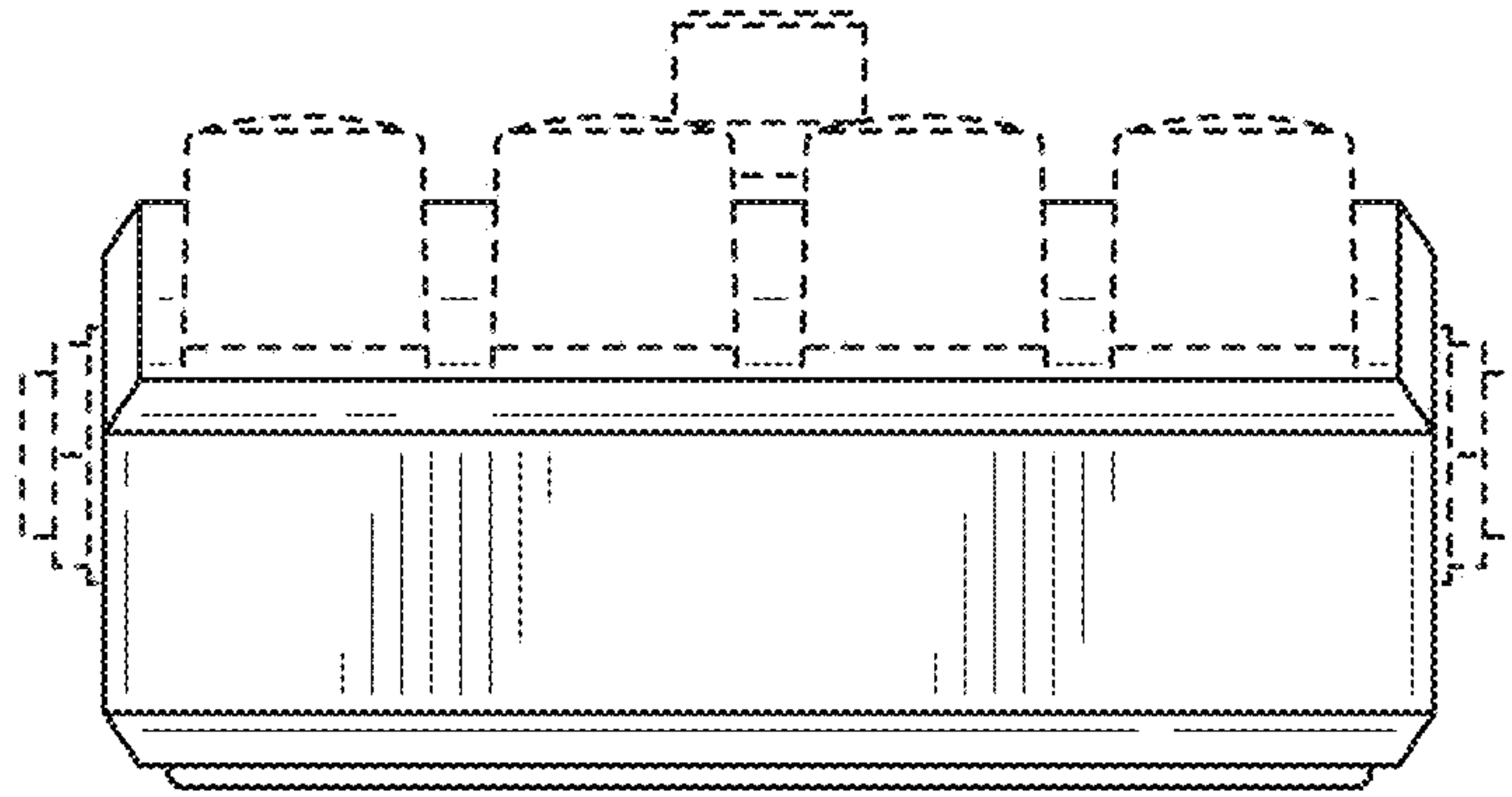


FIG. 5

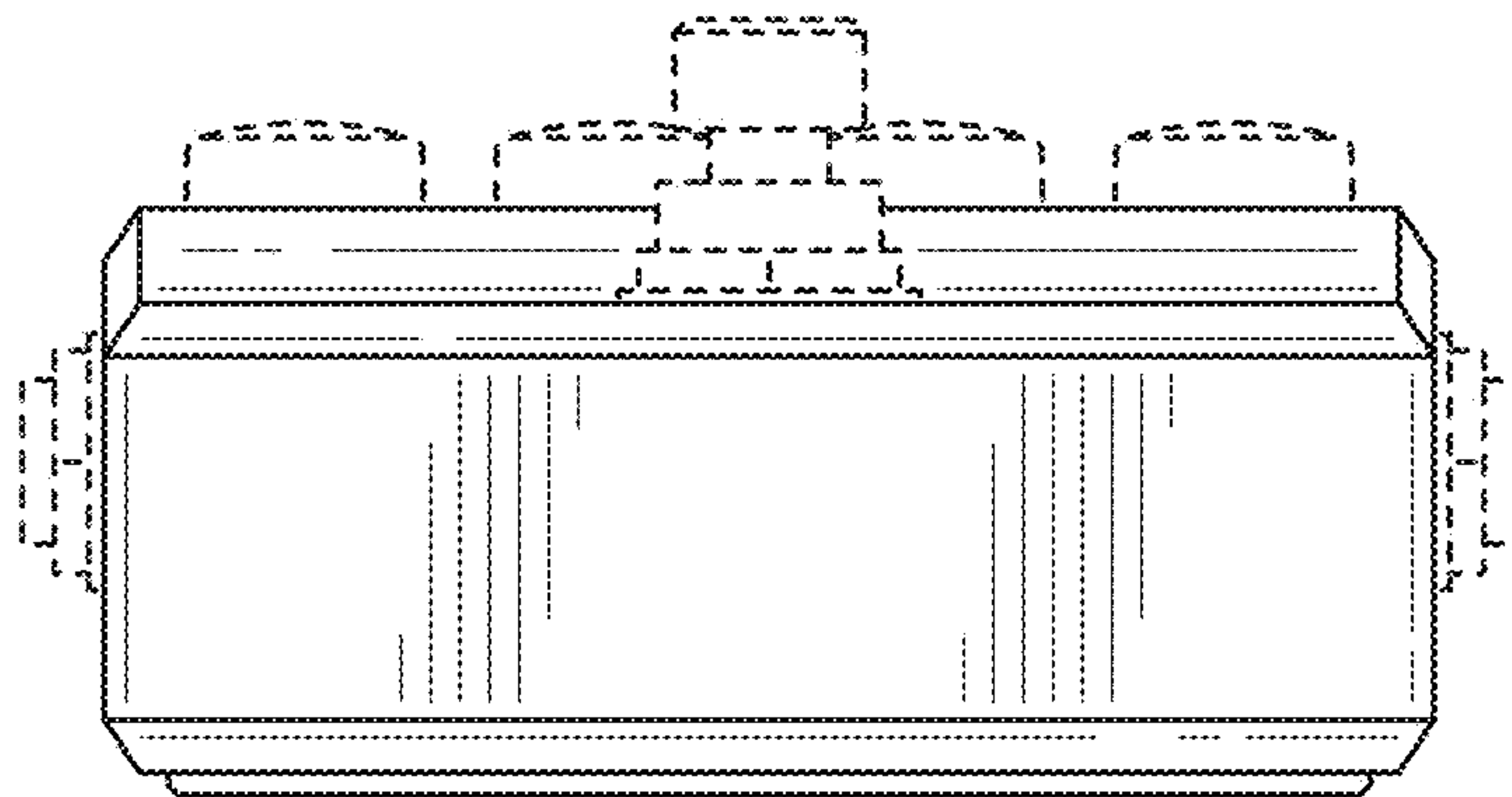


FIG. 6

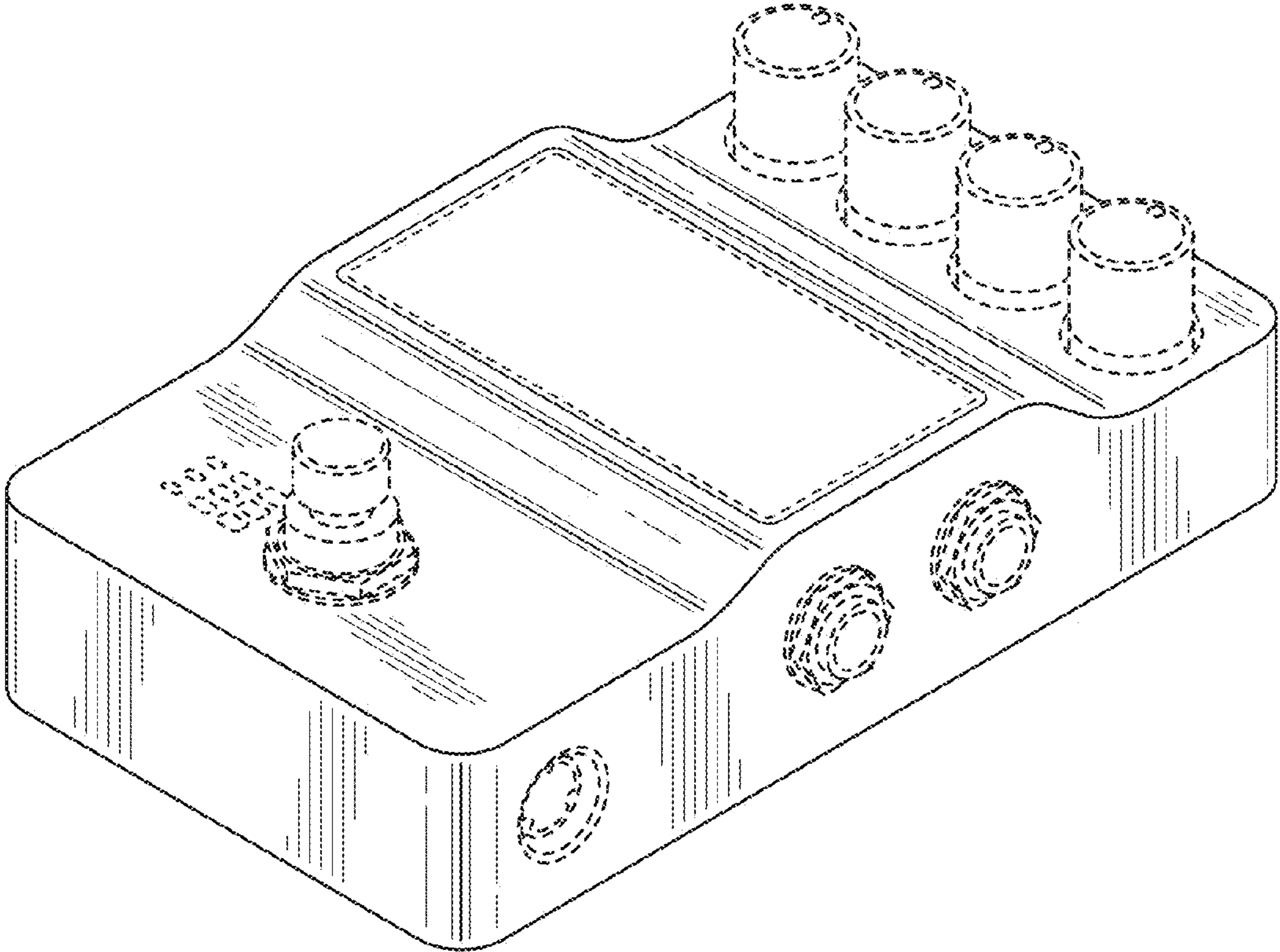


FIG. 7

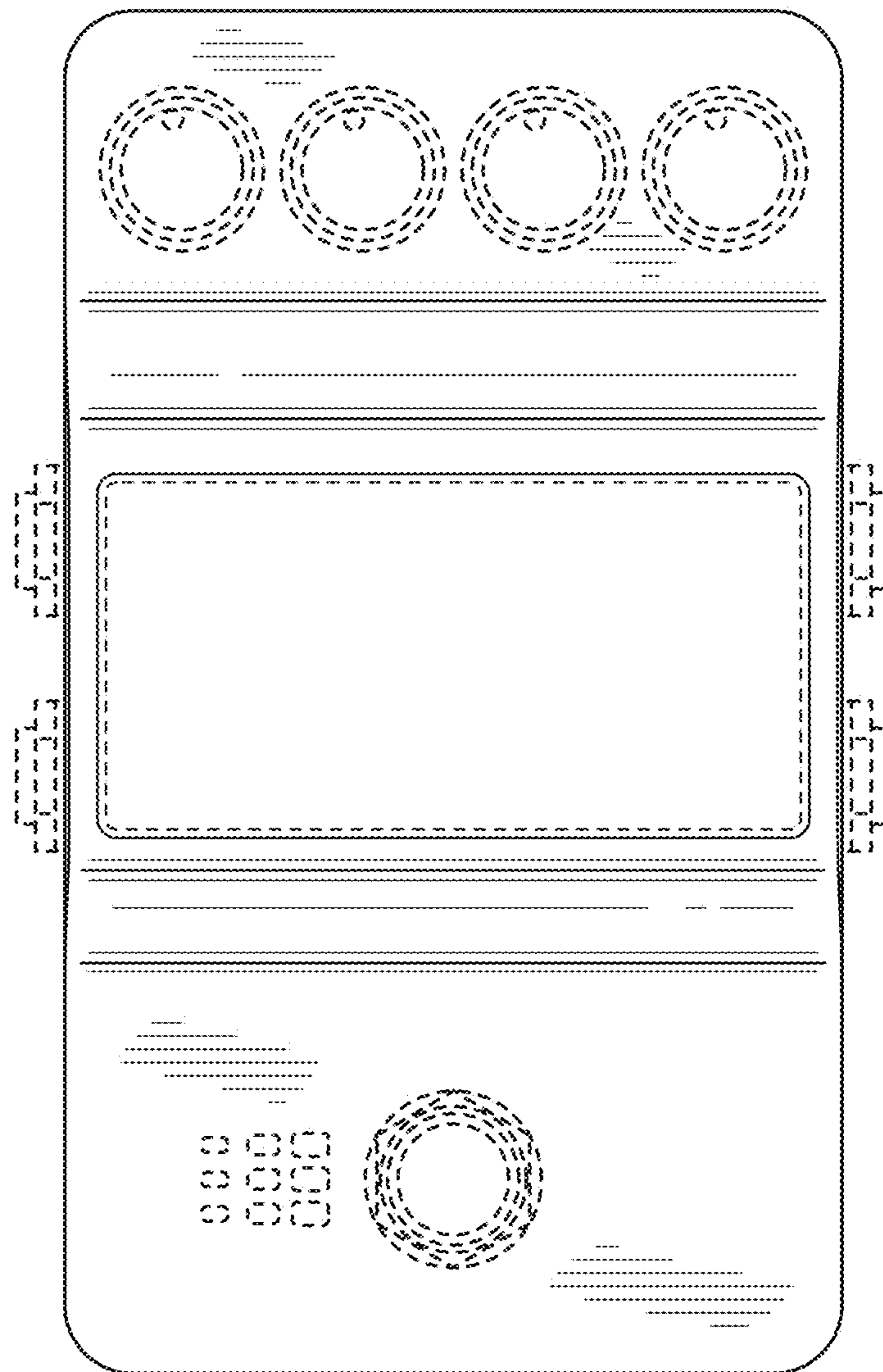


FIG. 8

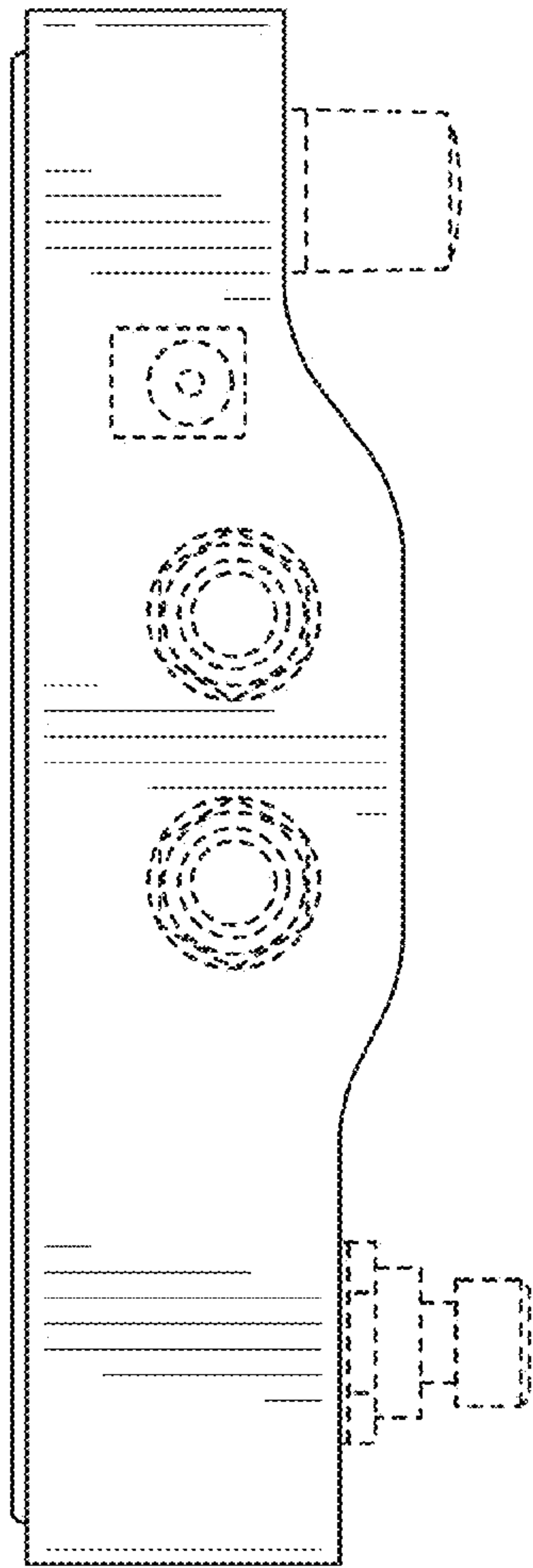


FIG. 9

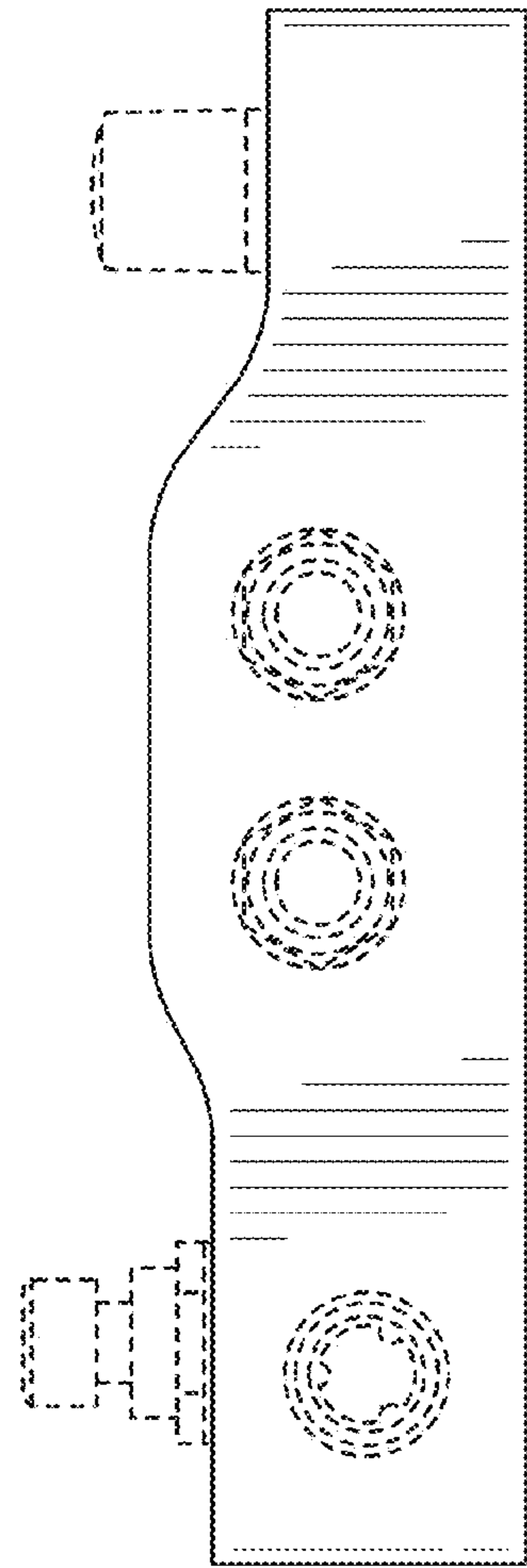


FIG. 10

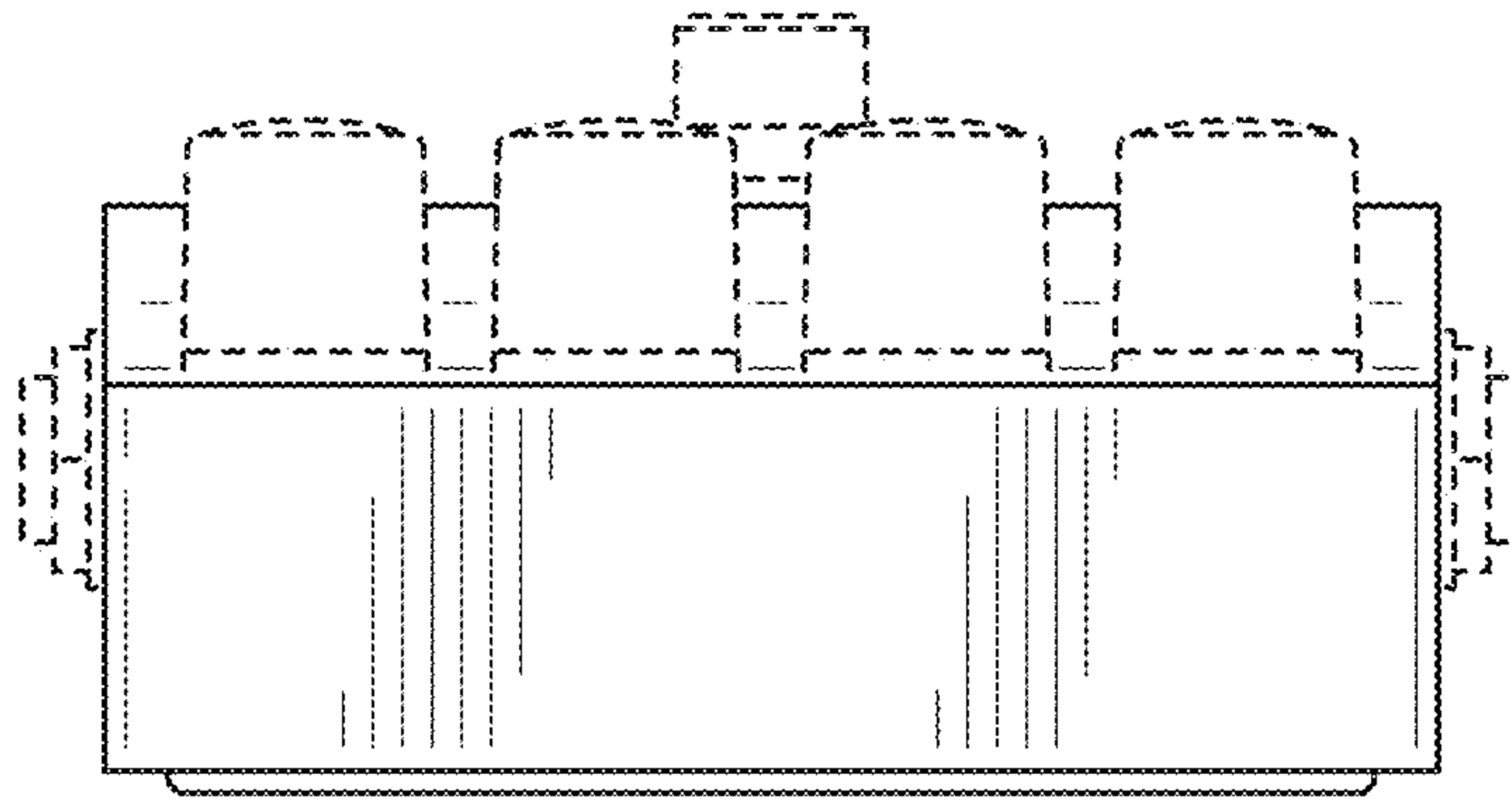


FIG. 11

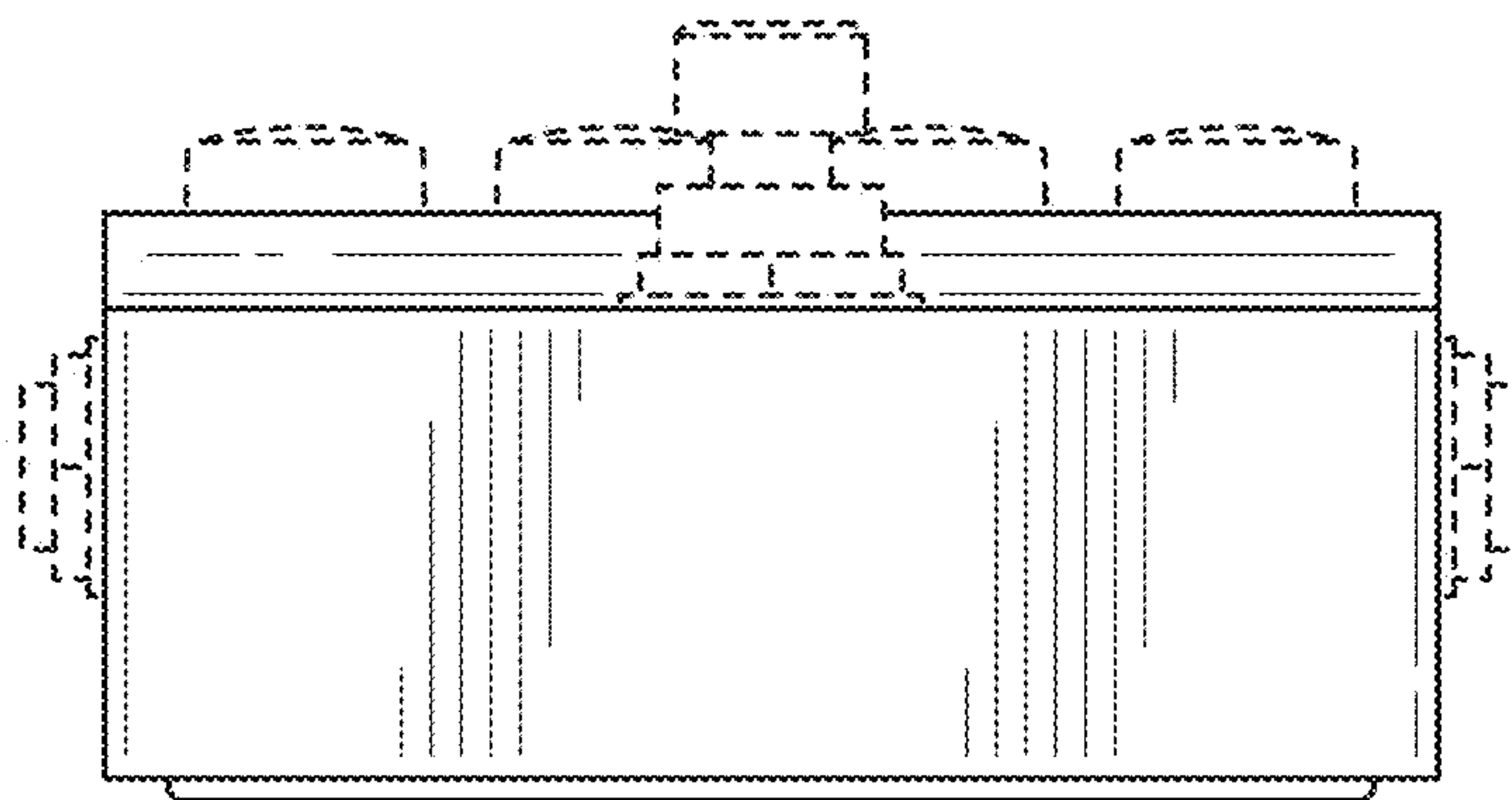


FIG. 12