



US00D682342S

(12) **United States Design Patent**
Suzuki

(10) **Patent No.:** **US D682,342 S**

(45) **Date of Patent:** **** May 14, 2013**

(54) **LENS FOR PROJECTOR**

(75) Inventor: **So Suzuki**, Osaka (JP)

(73) Assignee: **Panasonic Corporation**, Osaka (JP)

(**) Term: **14 Years**

(21) Appl. No.: **29/424,195**

(22) Filed: **Jun. 8, 2012**

(51) **LOC (9) Cl.** **16-02**

(52) **U.S. Cl.**
USPC **D16/235**; D16/134

(58) **Field of Classification Search** D16/225,
D16/234-235, 230, 219, 134, 136; D21/514;
353/100-101, 115, 119, 122; 359/808
See application file for complete search history.

(56) **References Cited**

U.S. PATENT DOCUMENTS

D339,817	S	*	9/1993	Fukuda et al.	D16/230
5,831,777	A	*	11/1998	Iwasa	359/819
D470,163	S	*	2/2003	Kim	D16/230
D479,551	S	*	9/2003	Min et al.	D16/230
6,671,108	B2	*	12/2003	Koiwai et al.	353/100
6,819,509	B2	*	11/2004	Wisecarver et al.	359/819
D538,324	S	*	3/2007	Masamitsu et al.	D16/219
D544,516	S	*	6/2007	Yamada et al.	D16/235
D564,564	S	*	3/2008	Inada et al.	D16/225
D565,079	S	*	3/2008	Inoue et al.	D16/235
D644,679	S	*	9/2011	Woodman	D16/219

D648,363	S	*	11/2011	Takagi et al.	D16/219
D649,993	S	*	12/2011	Ding	D16/134
D657,811	S	*	4/2012	Woodman	D16/219

FOREIGN PATENT DOCUMENTS

JP	D1355903	4/2009
JP	D1356373	4/2009

* cited by examiner

Primary Examiner — Wan Laymon

(74) *Attorney, Agent, or Firm* — Panasonic Patent Center

(57) **CLAIM**

I claim the ornamental design for a lens for projector, as shown and described.

DESCRIPTION

FIG. 1 is a perspective view of a lens for projector of the present invention;
FIG. 2 is a front view thereof;
FIG. 3 is a rear view thereof;
FIG. 4 is a first side view thereof;
FIG. 5 is a second side view thereof;
FIG. 6 is a top view thereof; and,
FIG. 7 is a bottom view thereof.

The evenly dashed broken lines in the drawings illustrate the portions of the lens for projector that form no part of the claimed design. The long dash-short dash broken lines in the drawings define the bounds of the claimed and form no part thereof.

1 Claim, 7 Drawing Sheets

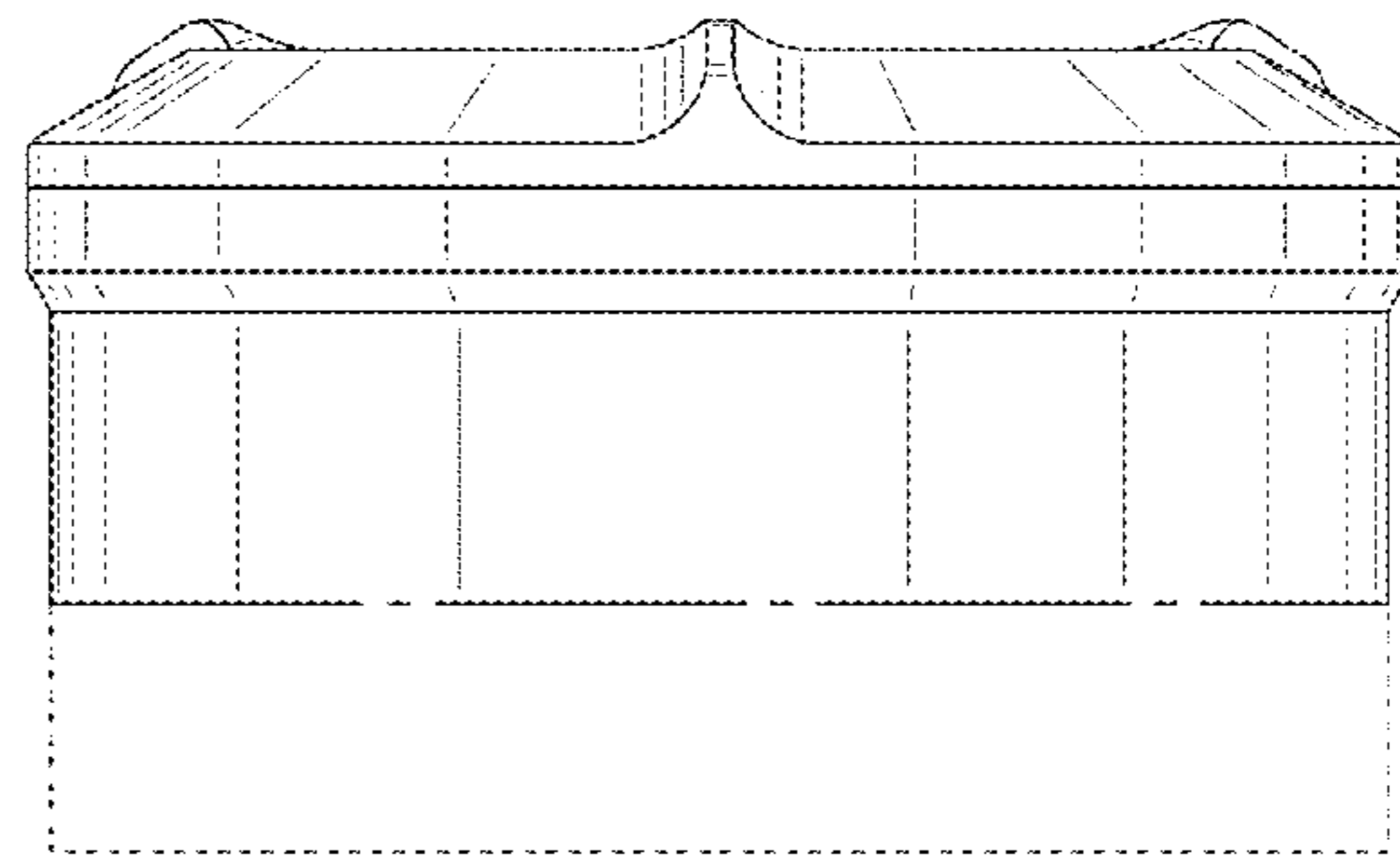
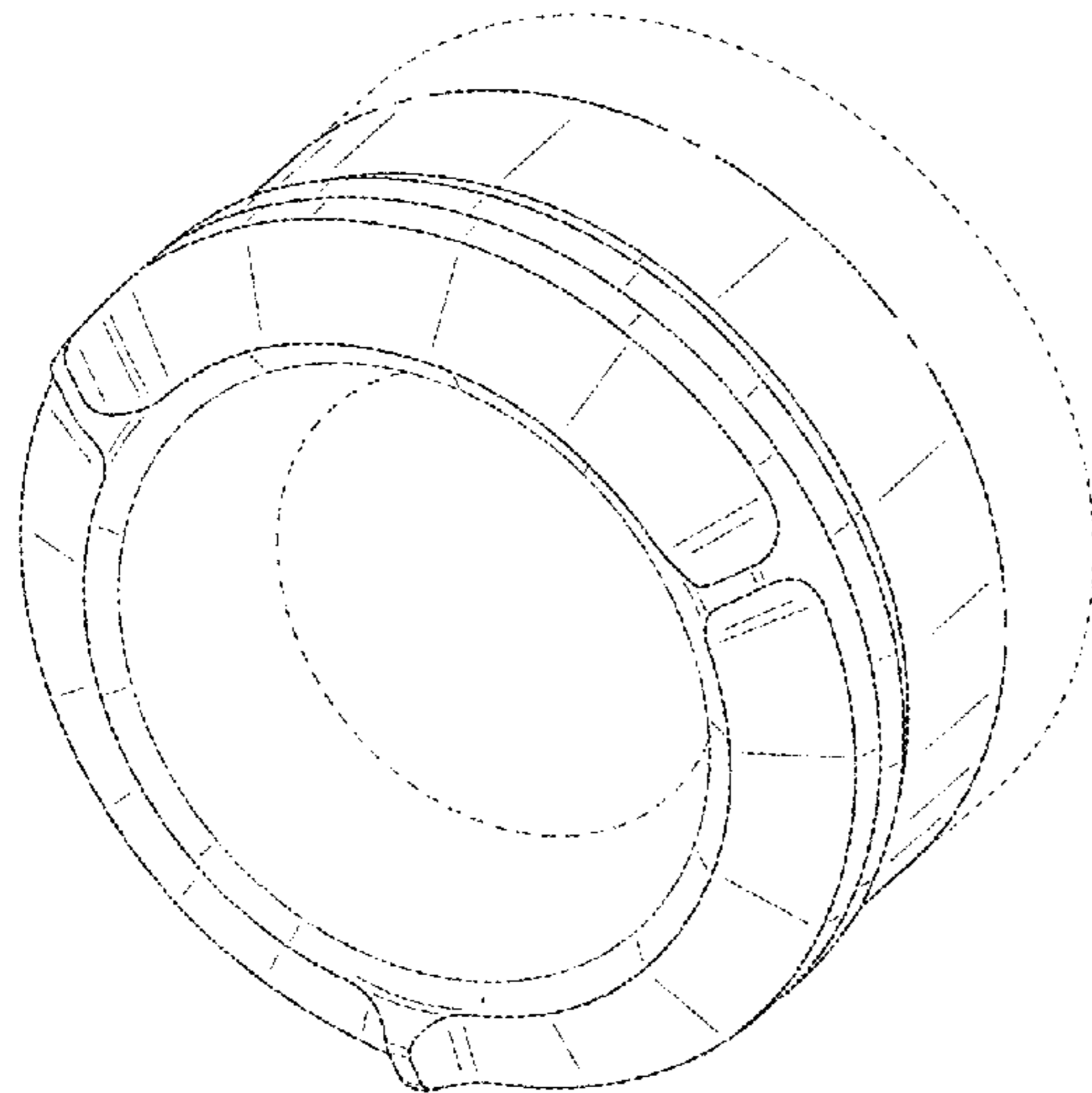


FIG. 1

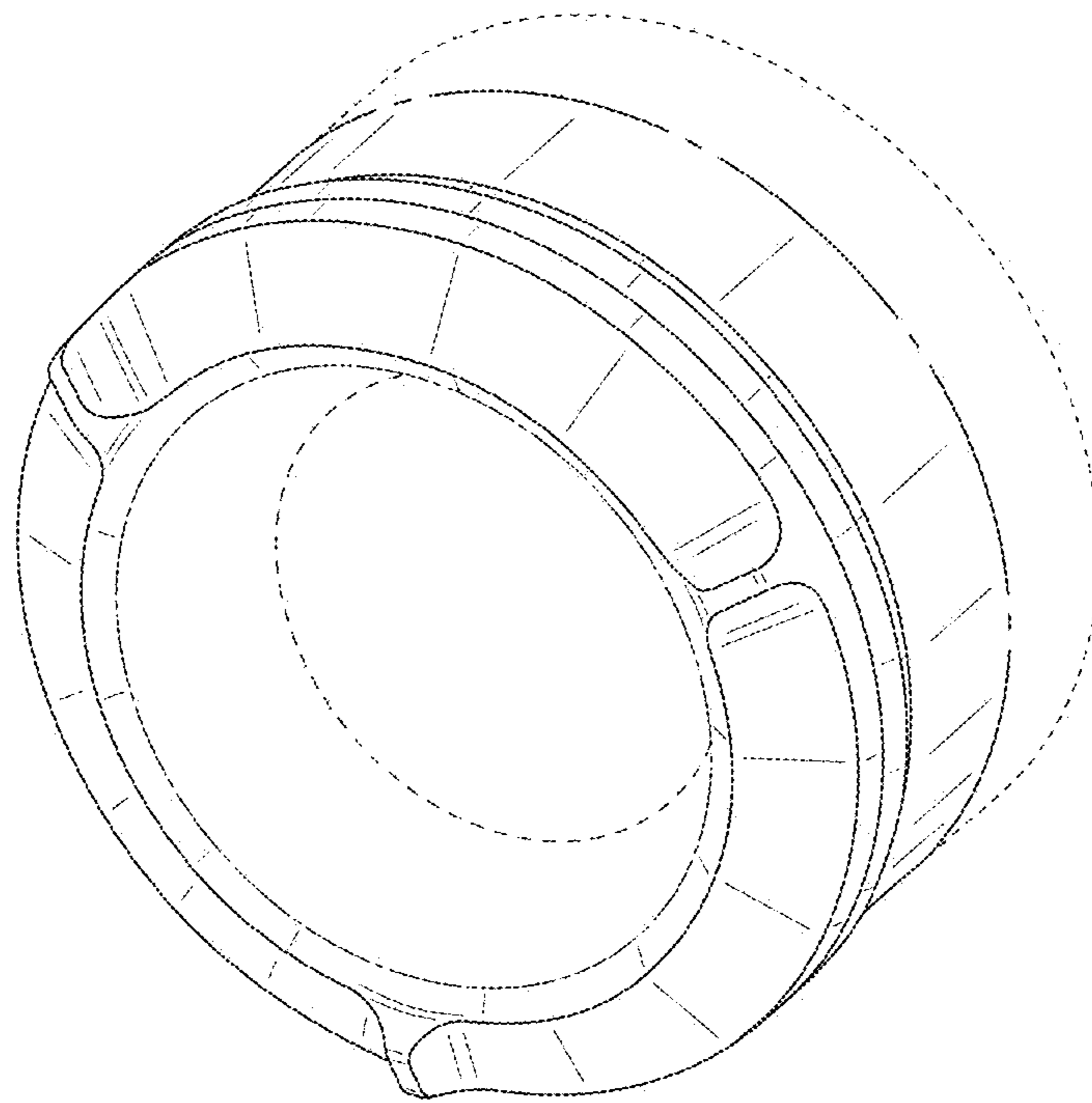


FIG. 2

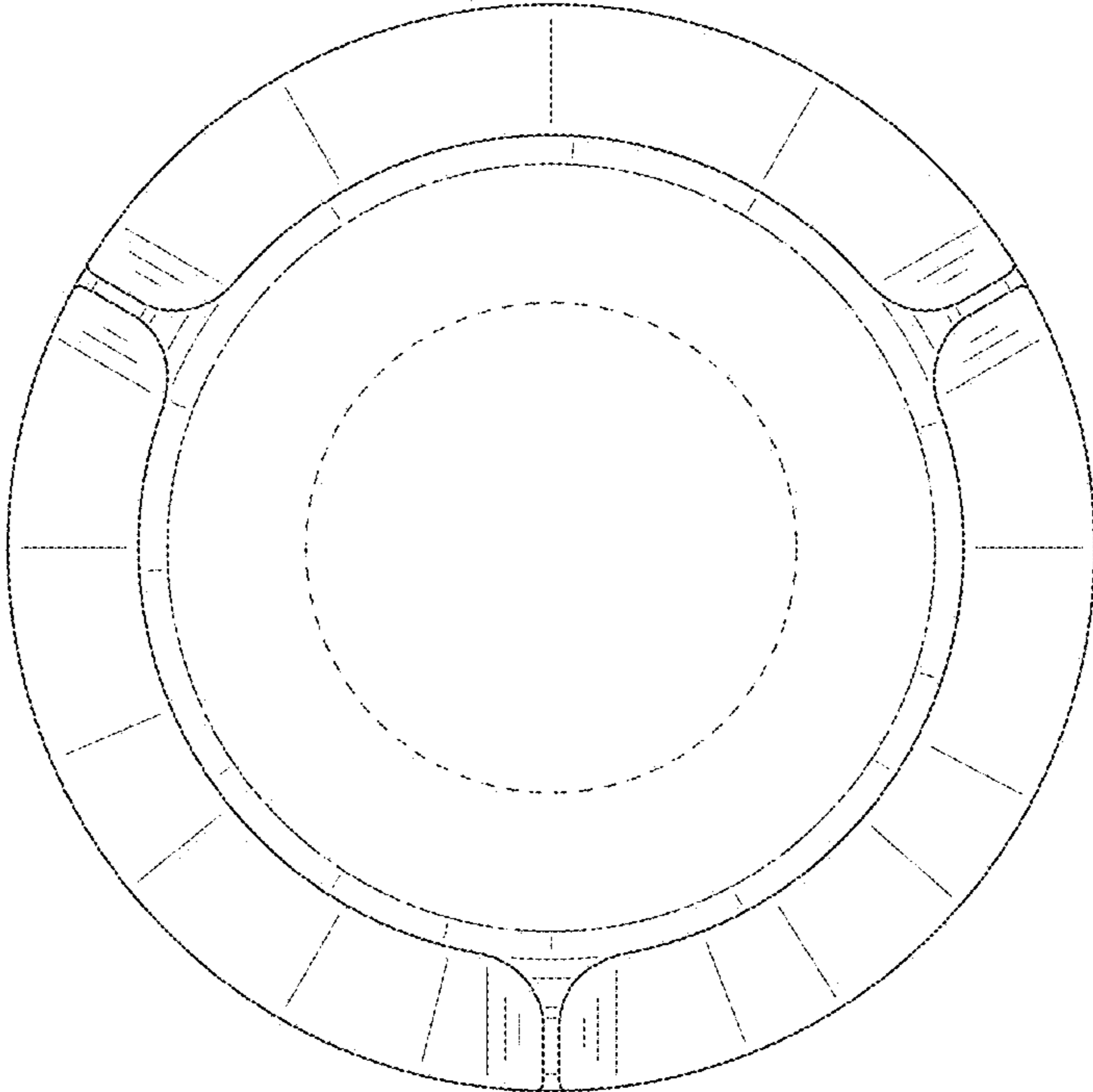


FIG. 3

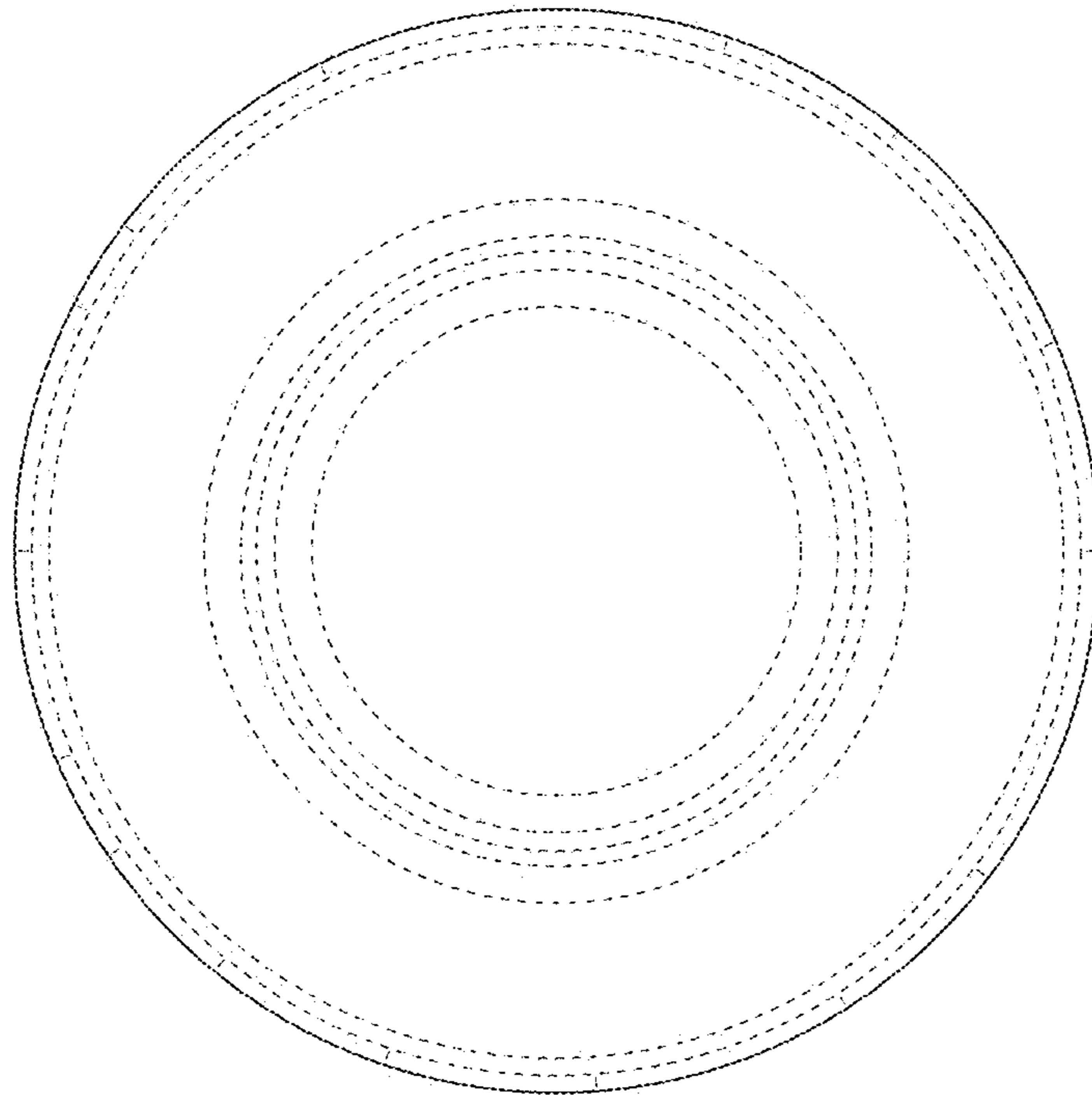


FIG. 4

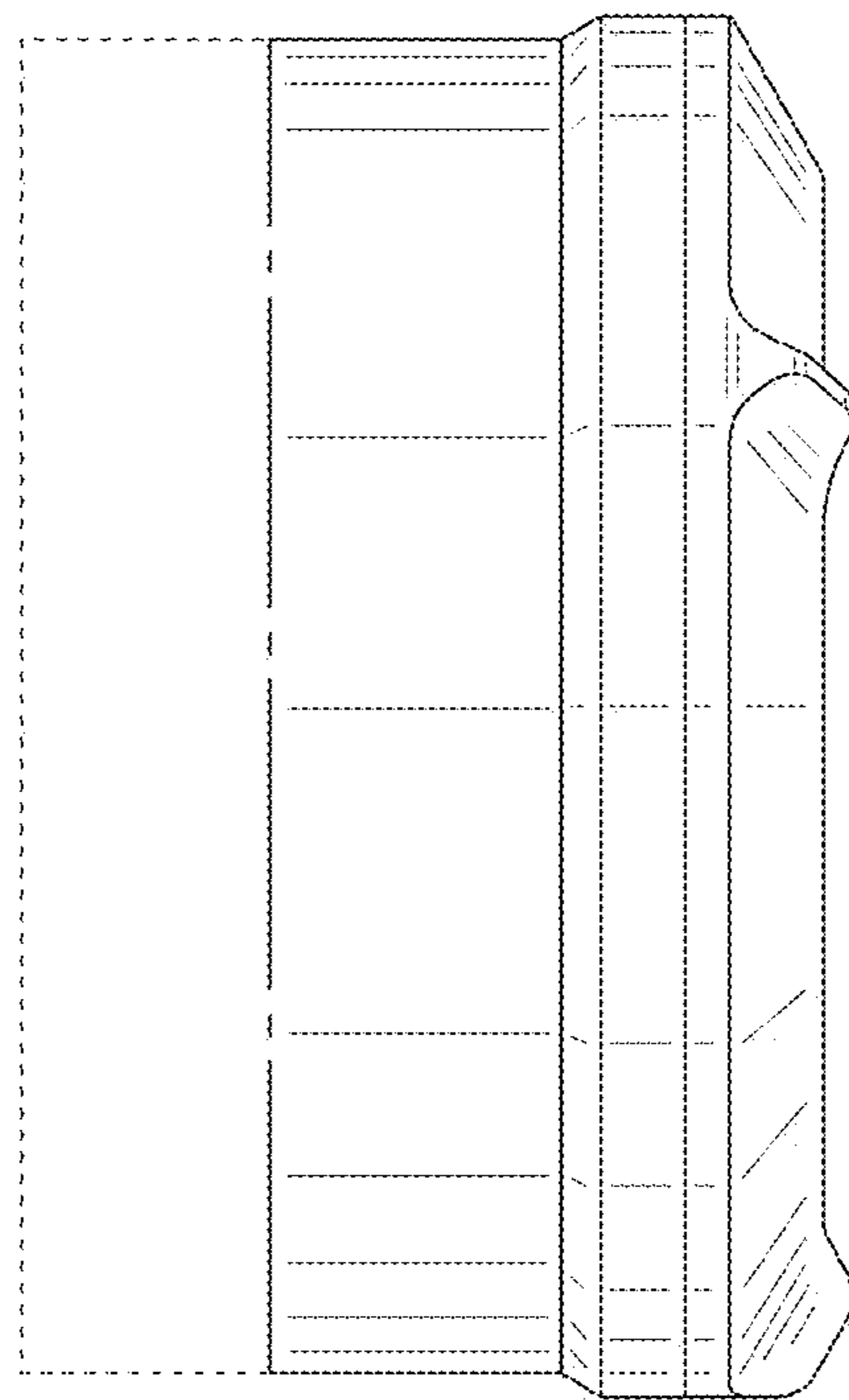


FIG. 5

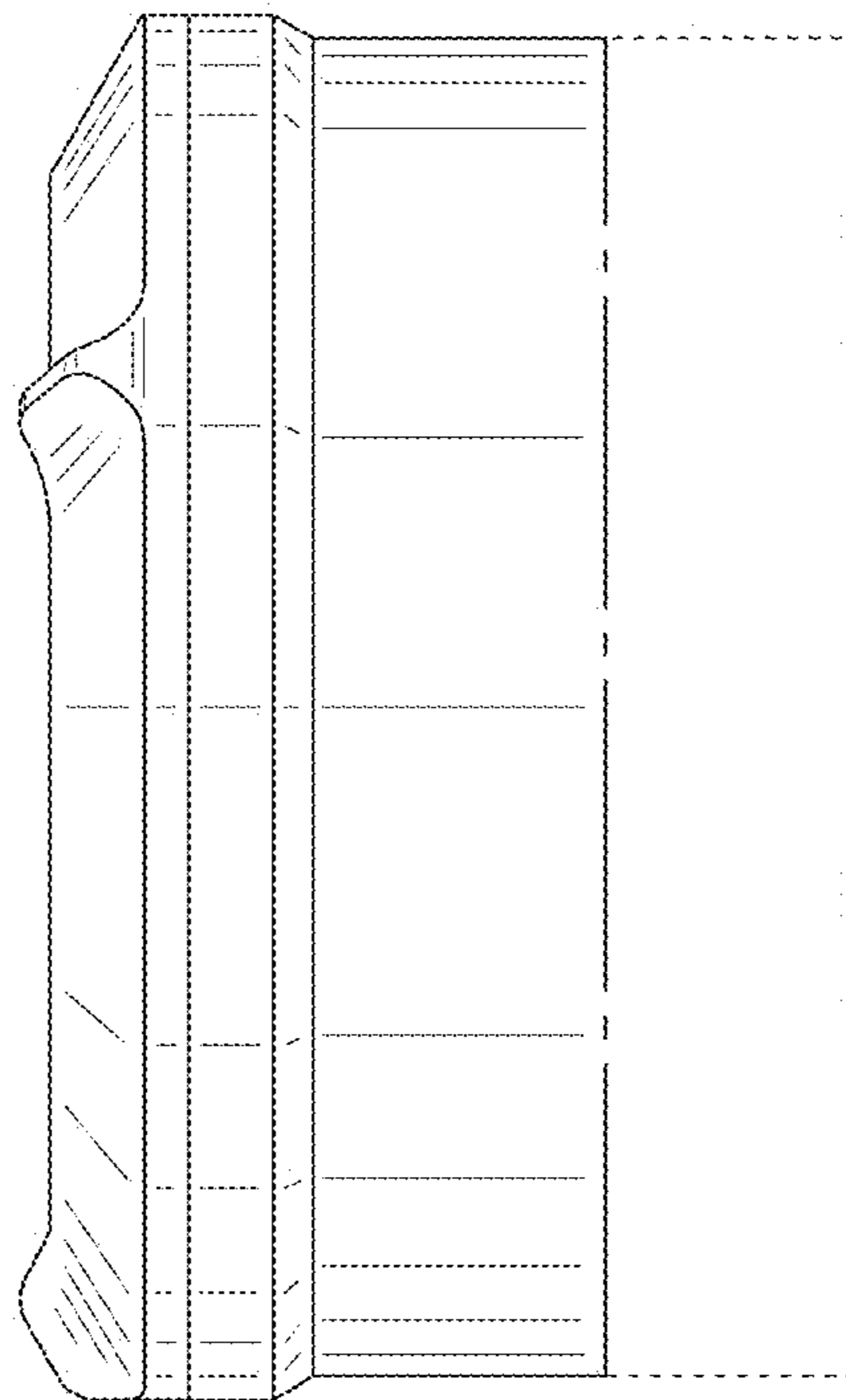


FIG. 6

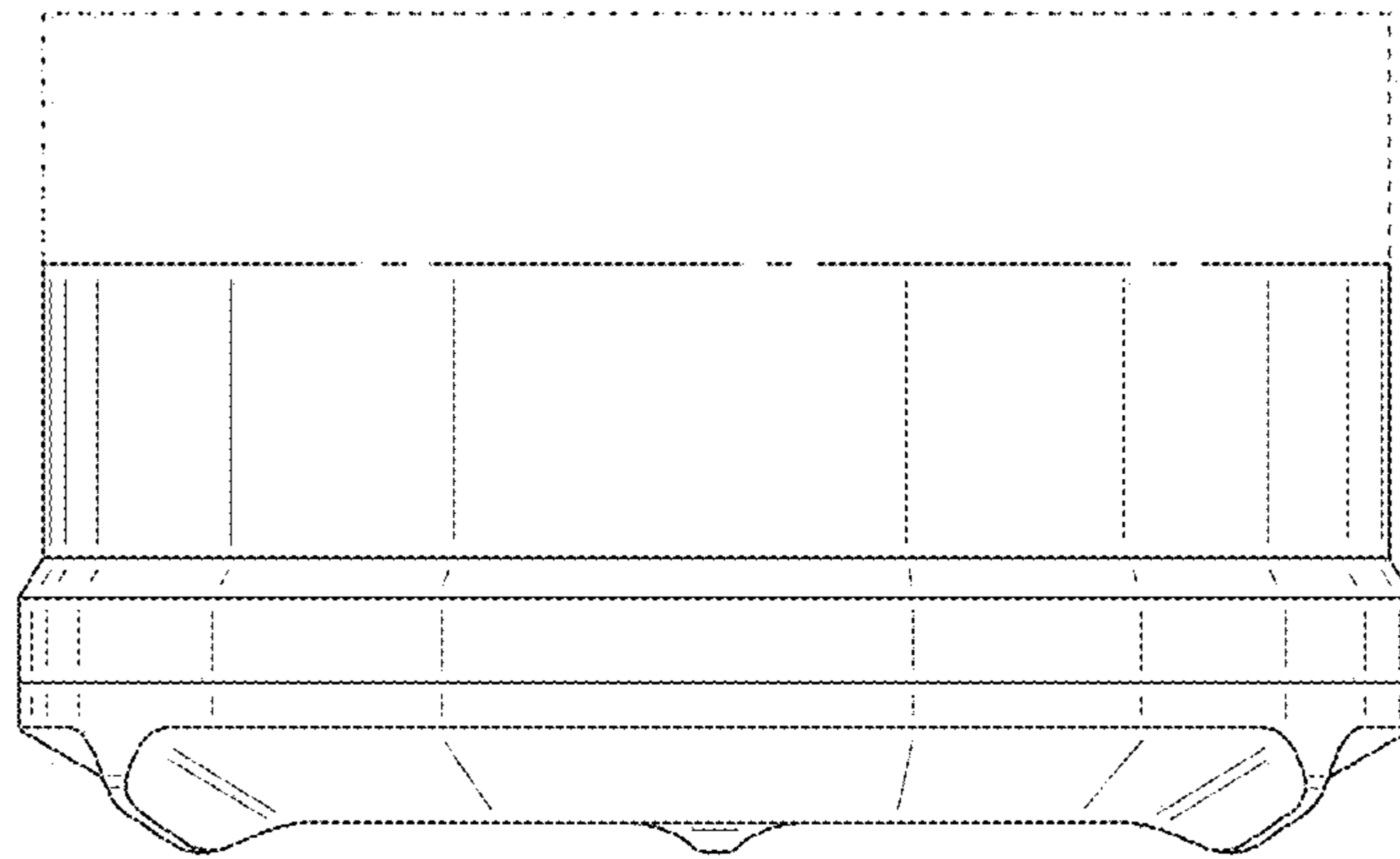


FIG. 7

