



US00D682341S

(12) **United States Design Patent**  
**Ono et al.**

(10) **Patent No.:** **US D682,341 S**

(45) **Date of Patent:** **\*\* May 14, 2013**

(54) **CAMERA LENS**

(75) Inventors: **Arata Ono**, Tokyo (JP); **Ayumi Nakajima**, Tokyo (JP); **Tatsuya Kobayashi**, Tokyo (JP)

(73) Assignee: **Nikon Corporation** (JP)

(\*\*) Term: **14 Years**

(21) Appl. No.: **29/414,365**

(22) Filed: **Feb. 28, 2012**

(30) **Foreign Application Priority Data**

Sep. 2, 2011 (JP) ..... 2011-020017

(51) **LOC (9) Cl.** ..... **16-05**

(52) **U.S. Cl.**  
USPC ..... **D16/219**

(58) **Field of Classification Search** ..... D16/134,  
D16/136, 200, 202, 204, 209, 218, 219; 348/373,  
348/374; 359/819, 826-828; 396/529-532,  
396/535, 540, 541

See application file for complete search history.

(56) **References Cited**

**U.S. PATENT DOCUMENTS**

D248,766 S \* 8/1978 Arai ..... D16/134  
4,357,090 A \* 11/1982 Araki ..... 396/529  
D449,322 S \* 10/2001 Ono et al. .... D16/219  
D552,147 S \* 10/2007 Tajima et al. .... D16/134

7,988,372 B2 \* 8/2011 Lee et al. .... 396/531  
D670,751 S \* 11/2012 Koyama et al. .... D16/219  
2011/0013902 A1 \* 1/2011 Kim ..... 396/530

**FOREIGN PATENT DOCUMENTS**

JP D1293312 2/2007  
JP D1293871 2/2007  
JP D1293872 2/2007

\* cited by examiner

*Primary Examiner* — Adir Aronovich

(74) *Attorney, Agent, or Firm* — Schwegman Lundberg & Woessner, P.A.

(57) **CLAIM**

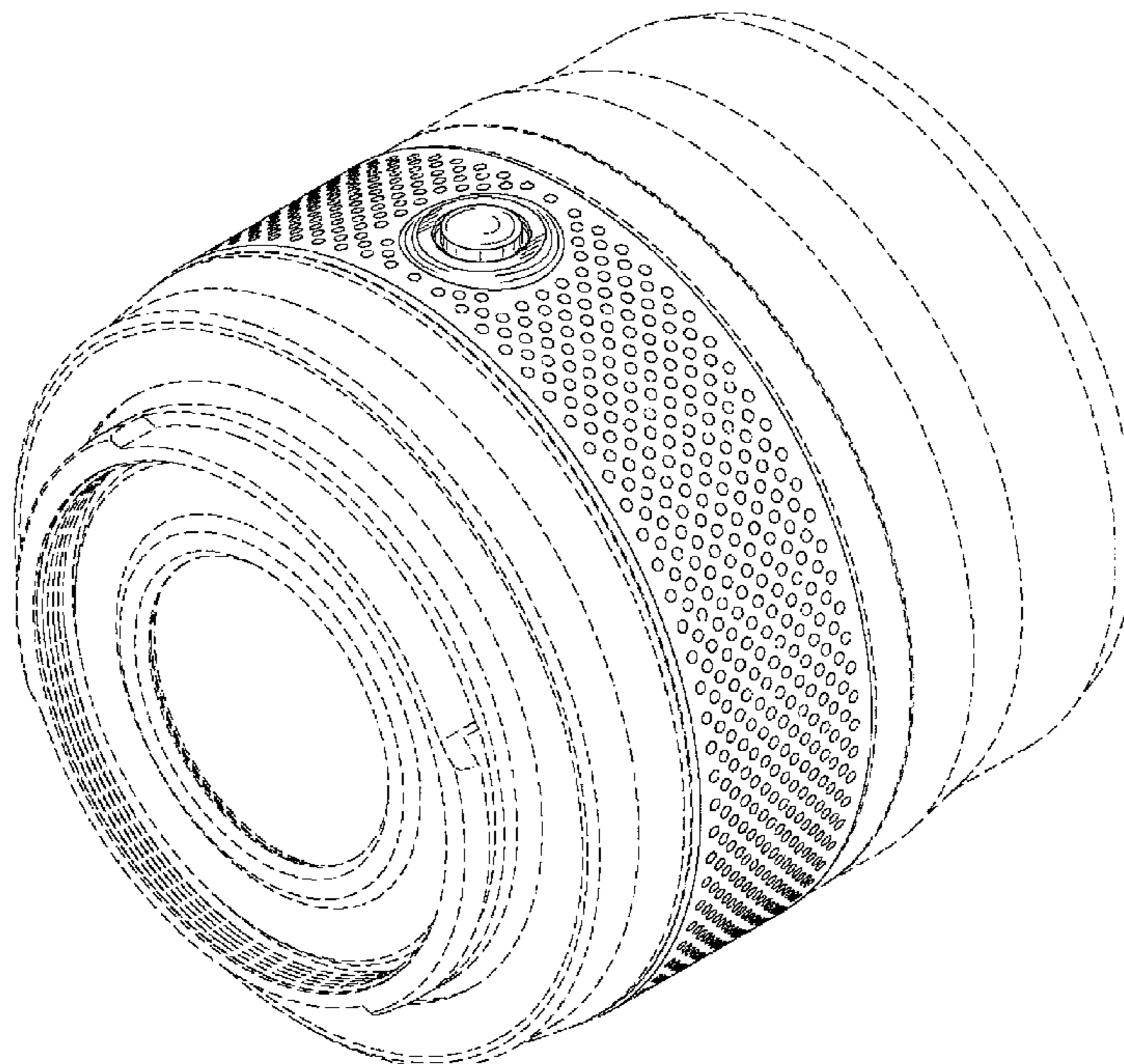
The ornamental design for a camera lens, as shown and described.

**DESCRIPTION**

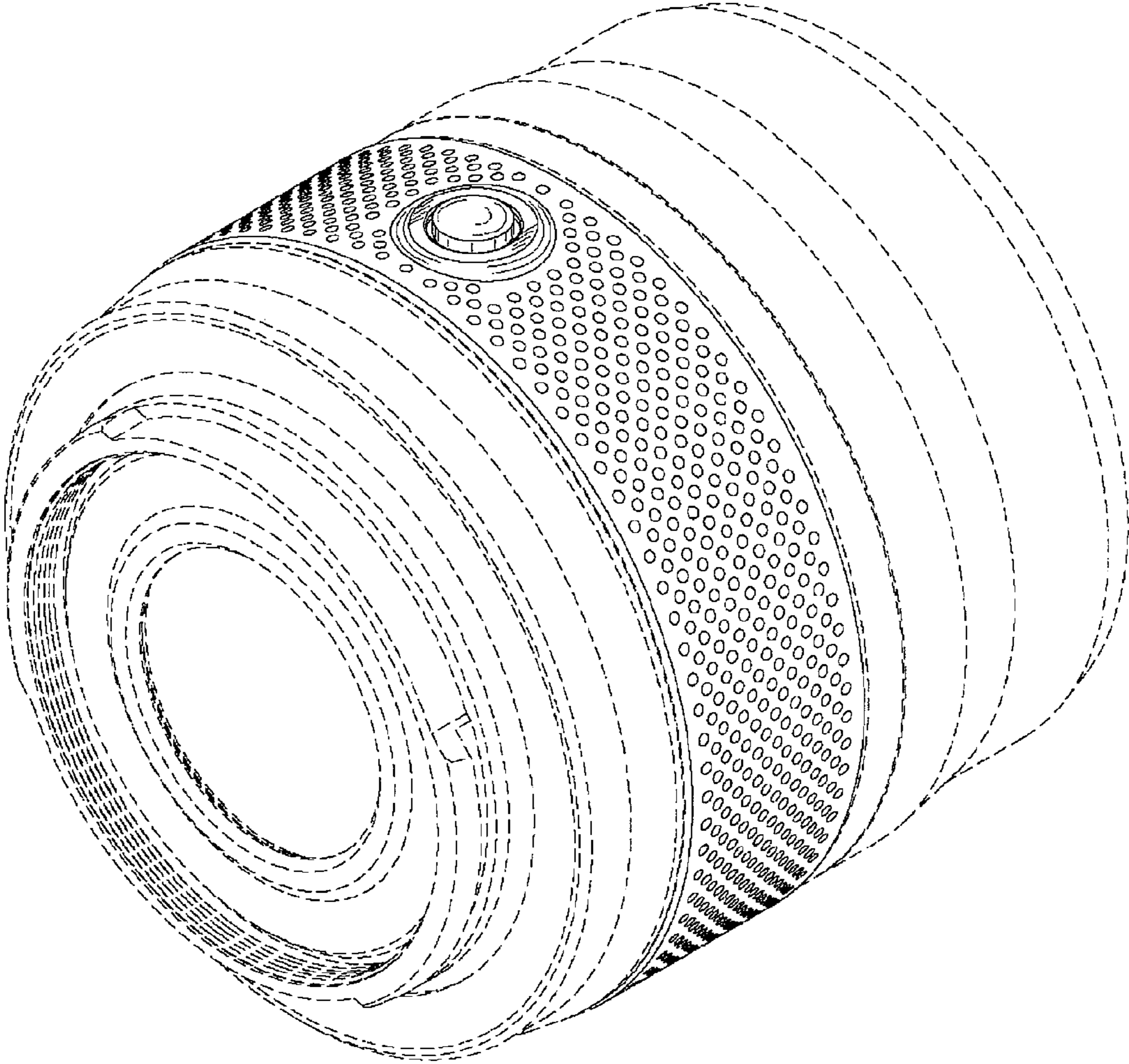
FIG. 1 is a front, top and right side perspective view of a camera lens showing our new design; FIG. 2 is a front elevational view thereof; FIG. 3 is a rear elevational view thereof; FIG. 4 is a top plan view thereof; FIG. 5 is a bottom plan view thereof; FIG. 6 is a right side elevation view thereof; FIG. 7 is a left side elevation view thereof; and, FIG. 8 is an enlarged cross-sectional view taken along line 8-8 in FIG. 2 with the internal structure omitted.

The features shown in broken lines in the drawings depict environmental subject matter only and form no part of the claimed design.

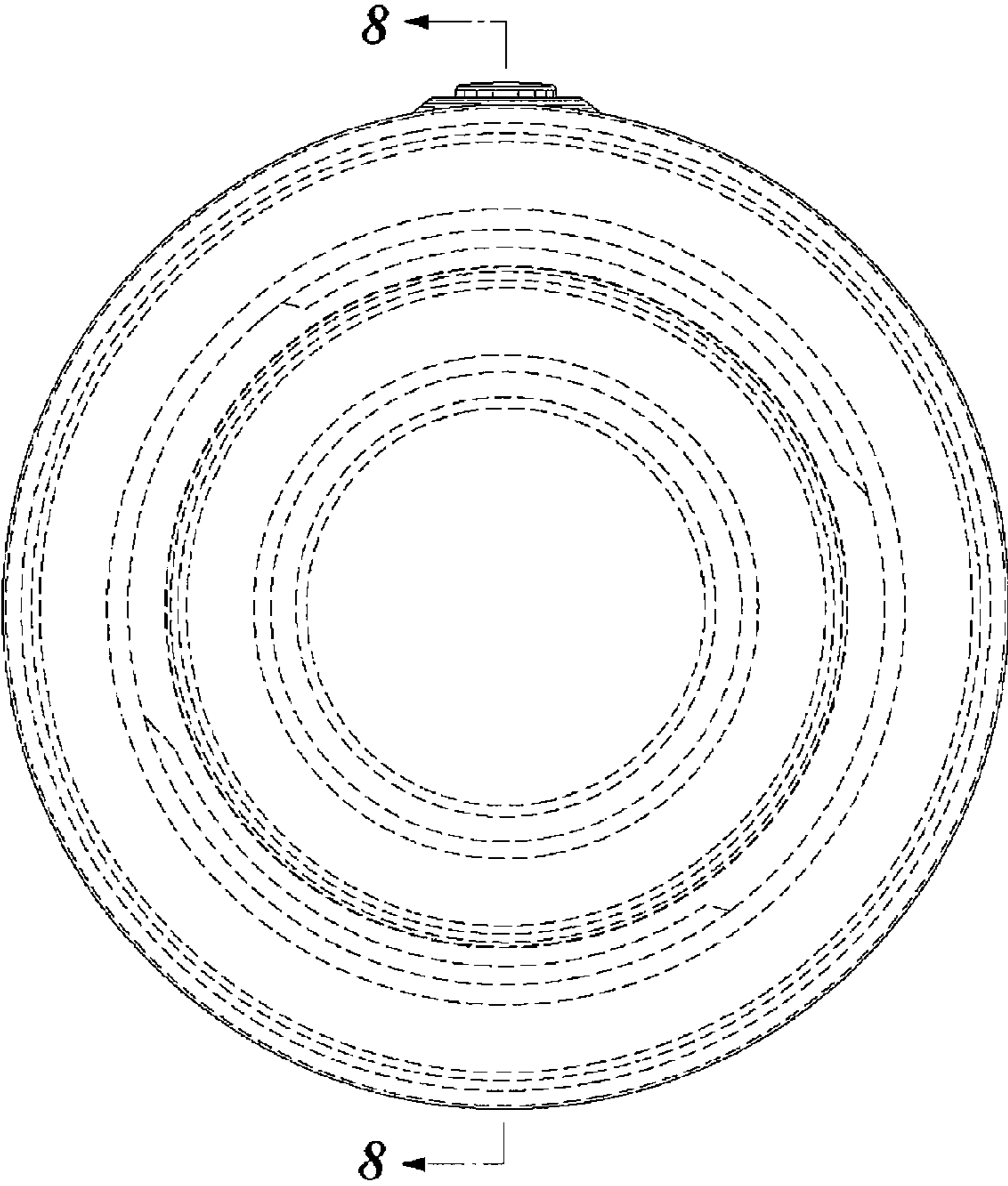
**1 Claim, 8 Drawing Sheets**



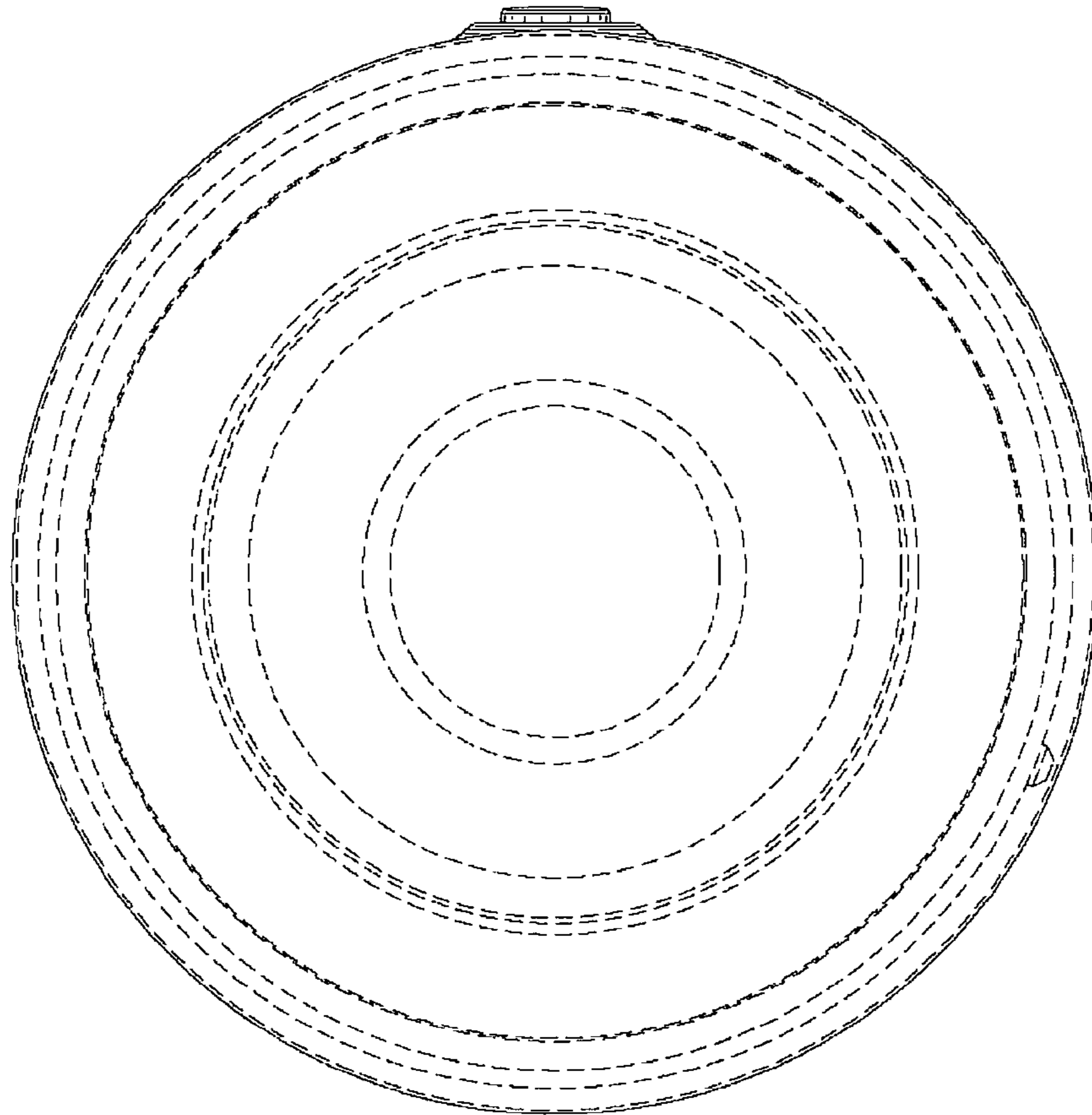
**FIG. 1**



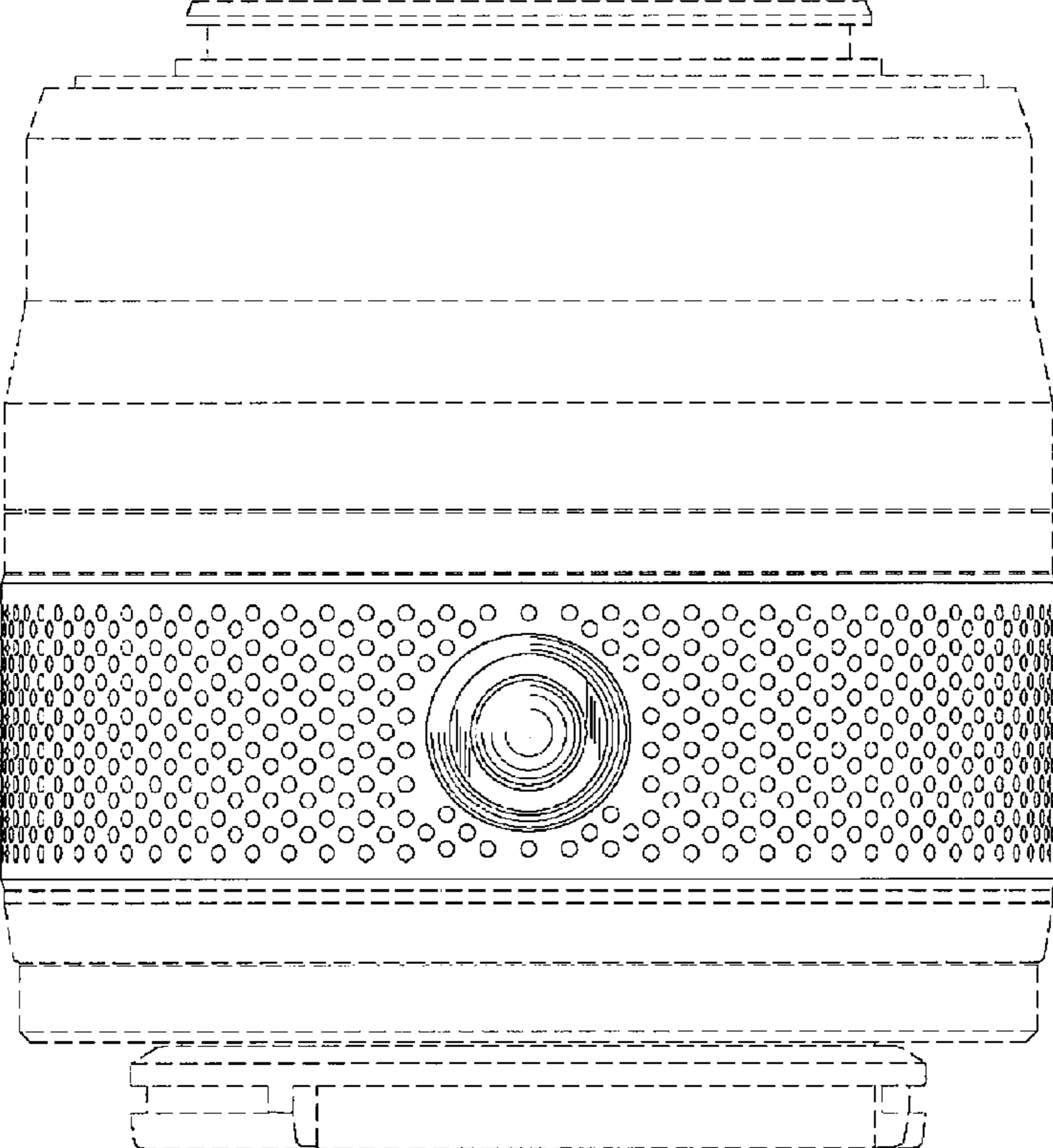
**FIG. 2**



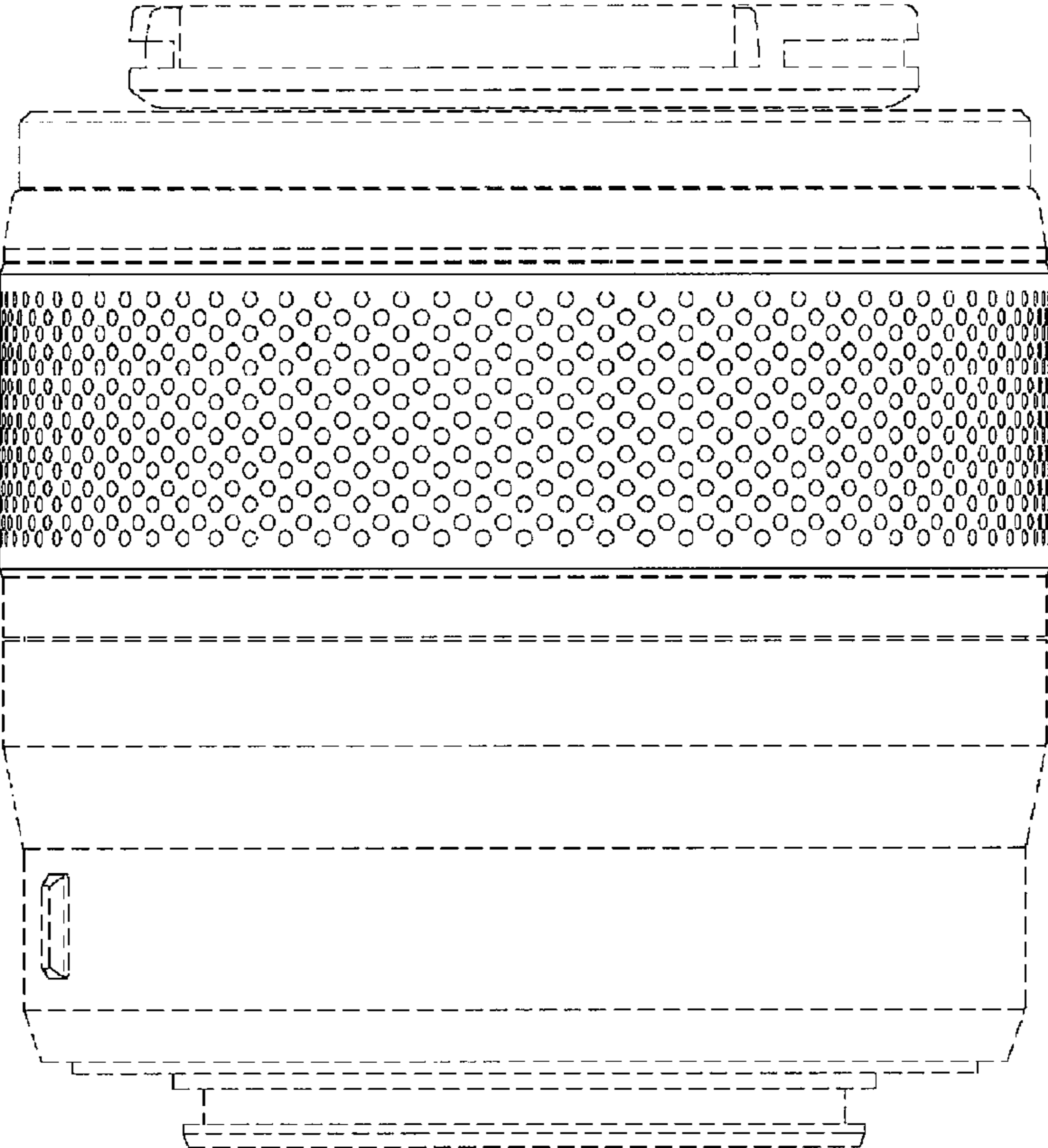
***FIG. 3***



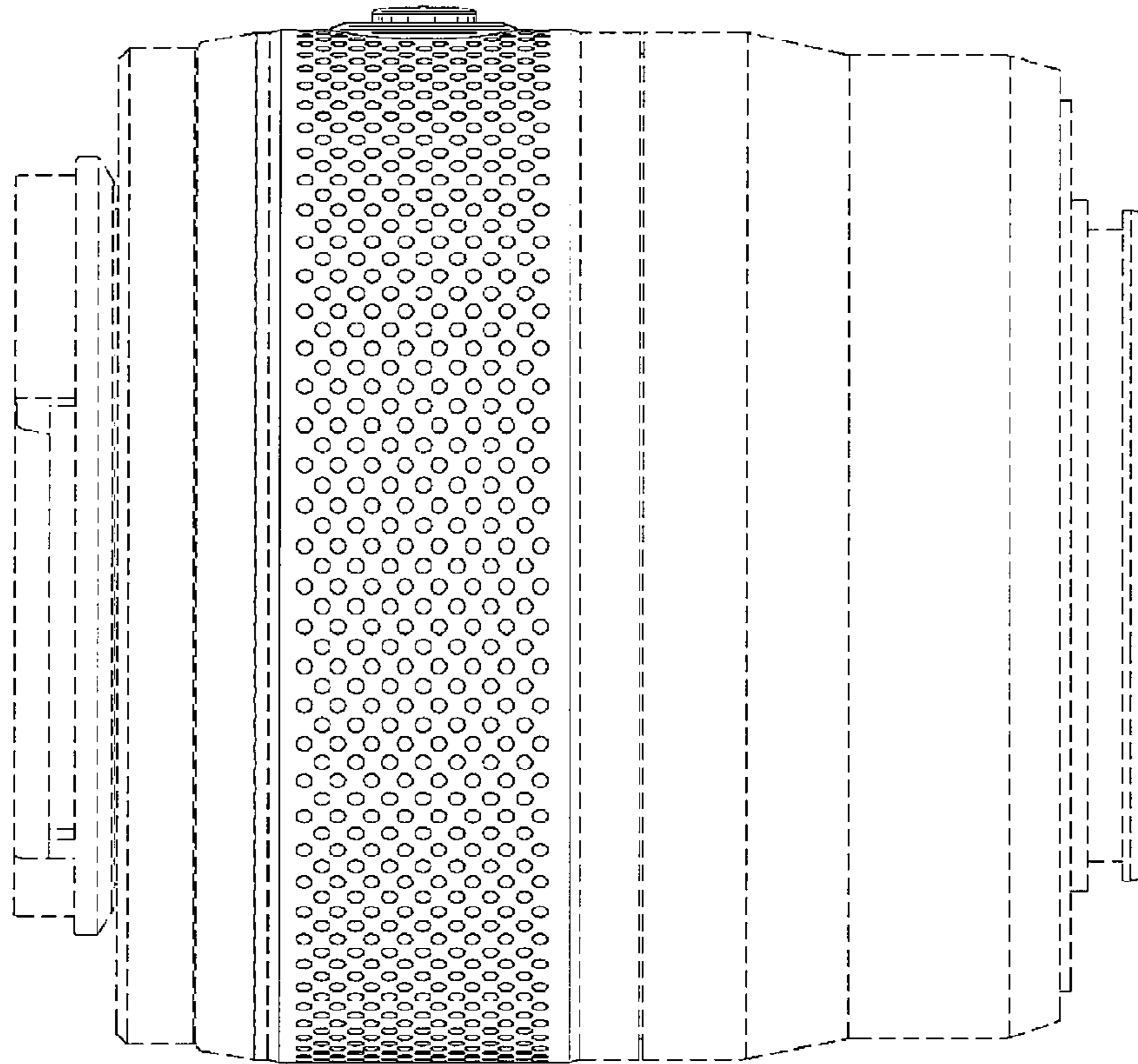
**FIG. 4**



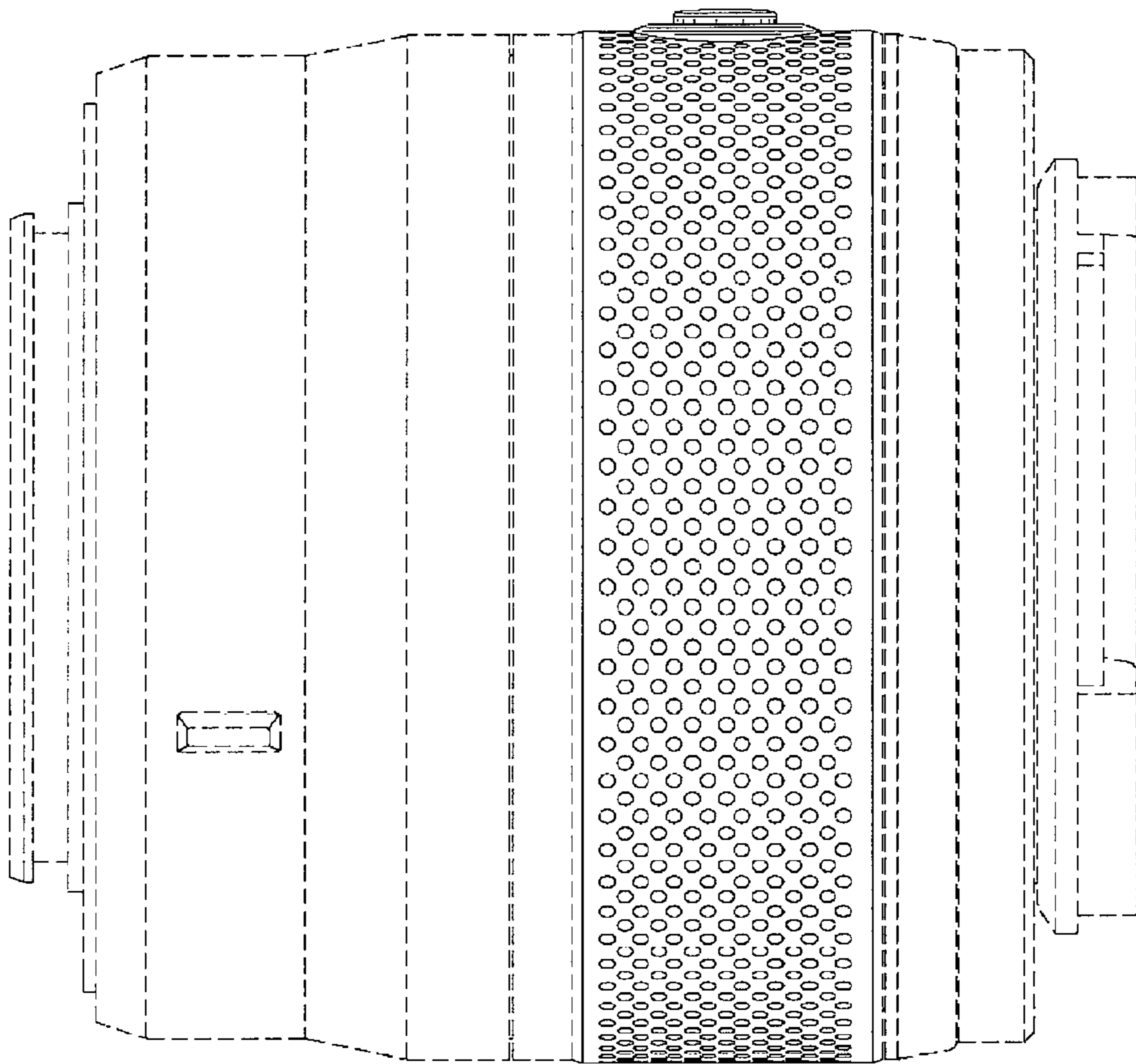
**FIG. 5**



*FIG. 6*



**FIG. 7**





**FIG. 8**

