



US00D682340S

(12) **United States Design Patent**
Hibi et al.

(10) **Patent No.:** **US D682,340 S**
(45) **Date of Patent:** **** May 14, 2013**

- (54) **CAMERA**
- (75) Inventors: **Keita Hibi**, Tokyo (JP); **Noriaki Takagi**, Tokyo (JP)
- (73) Assignee: **Sony Corporation**, Tokyo (JP)
- (**) Term: **14 Years**
- (21) Appl. No.: **29/347,875**
- (22) Filed: **Jul. 2, 2010**

- D496,955 S 10/2004 Hayashi
- D508,936 S 8/2005 Naito
- D512,450 S * 12/2005 Jinde D16/202
- D519,141 S 4/2006 Hayashi
- D521,038 S * 5/2006 Takagi D16/200
- D522,555 S * 6/2006 Choi D16/202
- D532,810 S * 11/2006 Kim D16/202
- D536,720 S 2/2007 Miyashita
- D537,464 S 2/2007 Tainaka
- 7,173,197 B1 2/2007 Kasperek
- D557,724 S * 12/2007 Katayama D16/219
- D561,225 S * 2/2008 Miyahara D16/219
- D561,800 S 2/2008 Sadatsuki

(Continued)

Related U.S. Application Data

- (63) Continuation-in-part of application No. 29/311,085, filed on Dec. 19, 2008, now Pat. No. Des. 619,156.

Primary Examiner — Adir Aronovich

(74) *Attorney, Agent, or Firm* — Rader, Fishman & Grauer PLLC

(30) **Foreign Application Priority Data**

Jun. 19, 2008 (JP) D2008-015734

(57) **CLAIM**

The ornamental design for a camera, as shown and described.

(51) **LOC (9) Cl.** **16-05**

(52) **U.S. Cl.**
USPC **D16/219**

(58) **Field of Classification Search** D16/200,
D16/202, 203, 204, 208, 218, 219; 348/373-376;
358/909.1; 396/6, 535-541
See application file for complete search history.

DESCRIPTION

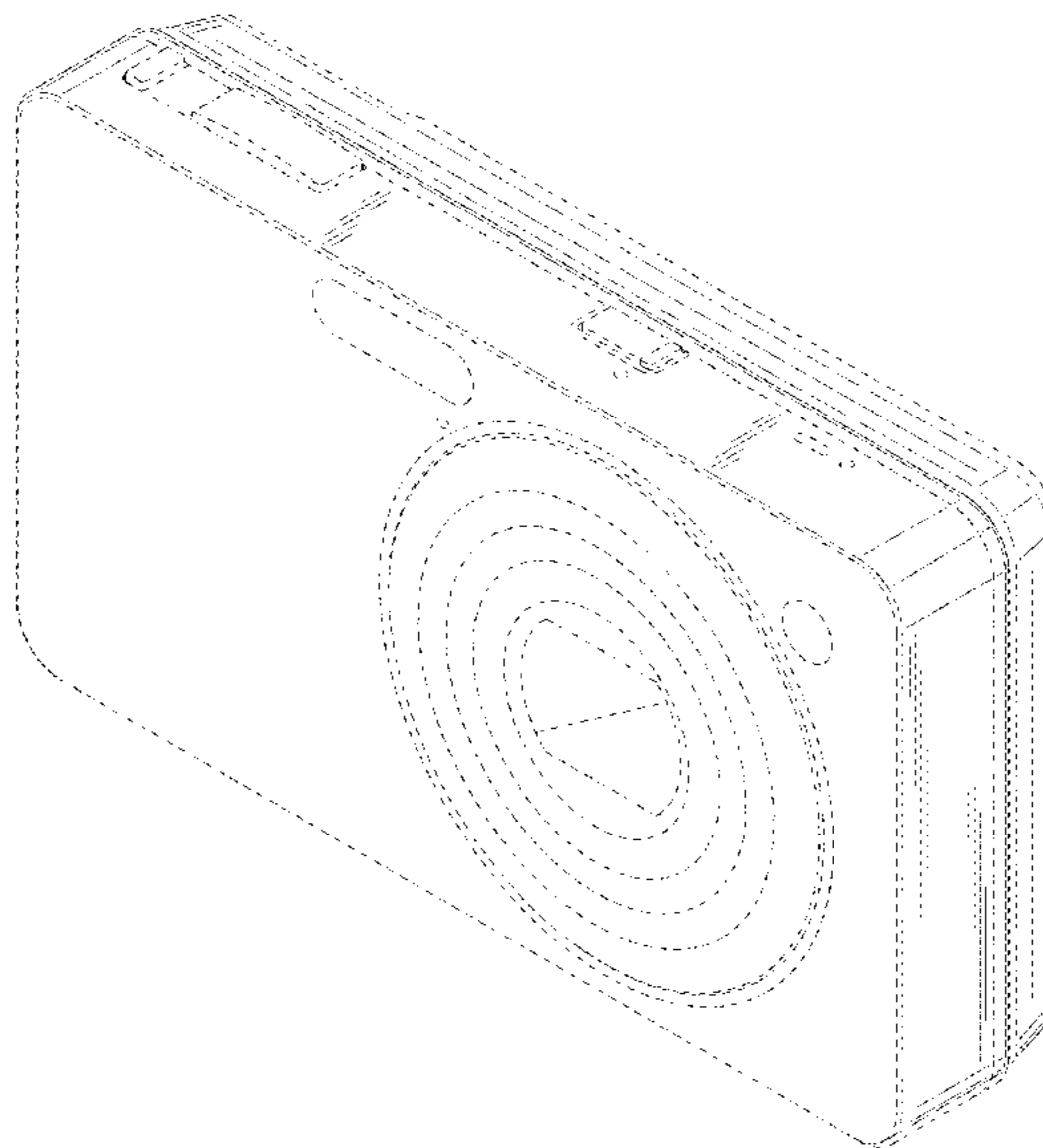
FIG. 1 is a front perspective view of a camera showing our new design;
 FIG. 2 is a front elevational view thereof;
 FIG. 3 is a rear elevational view thereof;
 FIG. 4 is a left side elevational view thereof;
 FIG. 5 is a right side elevational view thereof;
 FIG. 6 is a top plan view thereof.
 FIG. 7 is a front perspective view of another embodiment shown with a different environmental structure;
 FIG. 8 is a front elevational view thereof;
 FIG. 9 is a rear elevational view thereof;
 FIG. 10 is a left side elevational view thereof;
 FIG. 11 is a right side elevational view thereof; and,
 FIG. 12 is a top plan view thereof.
 The broken line portions in FIGS. 1-12 are shown to illustrate environment only and form no part of the claimed design.

(56) **References Cited**

U.S. PATENT DOCUMENTS

- D368,922 S 4/1996 Tanaka
- D401,259 S 11/1998 Chapman et al.
- 5,903,706 A 5/1999 Wakabayashi et al.
- D416,270 S 11/1999 Harata
- D416,271 S 11/1999 Ikenaga
- D445,440 S 7/2001 Chen
- 6,445,417 B1 9/2002 Yoshida et al.
- D488,178 S 4/2004 Huang
- D488,497 S 4/2004 Suzuki
- D496,674 S 9/2004 Hayashi

1 Claim, 10 Drawing Sheets



US D682,340 S

Page 2

U.S. PATENT DOCUMENTS										
D566,149	S	4/2008	Sumita	D629,437	S	*	12/2010	Takagi	D16/219
D566,150	S	4/2008	Sadatsuki	D630,662	S	*	1/2011	Miyashita	D16/219
D574,029	S	7/2008	Yamagishi	2009/0185066	A1		7/2009	Kotake et al.		
7,646,426	B2	*	1/2010	Saiki et al.	348/373				
										* cited by examiner

FIG. 1

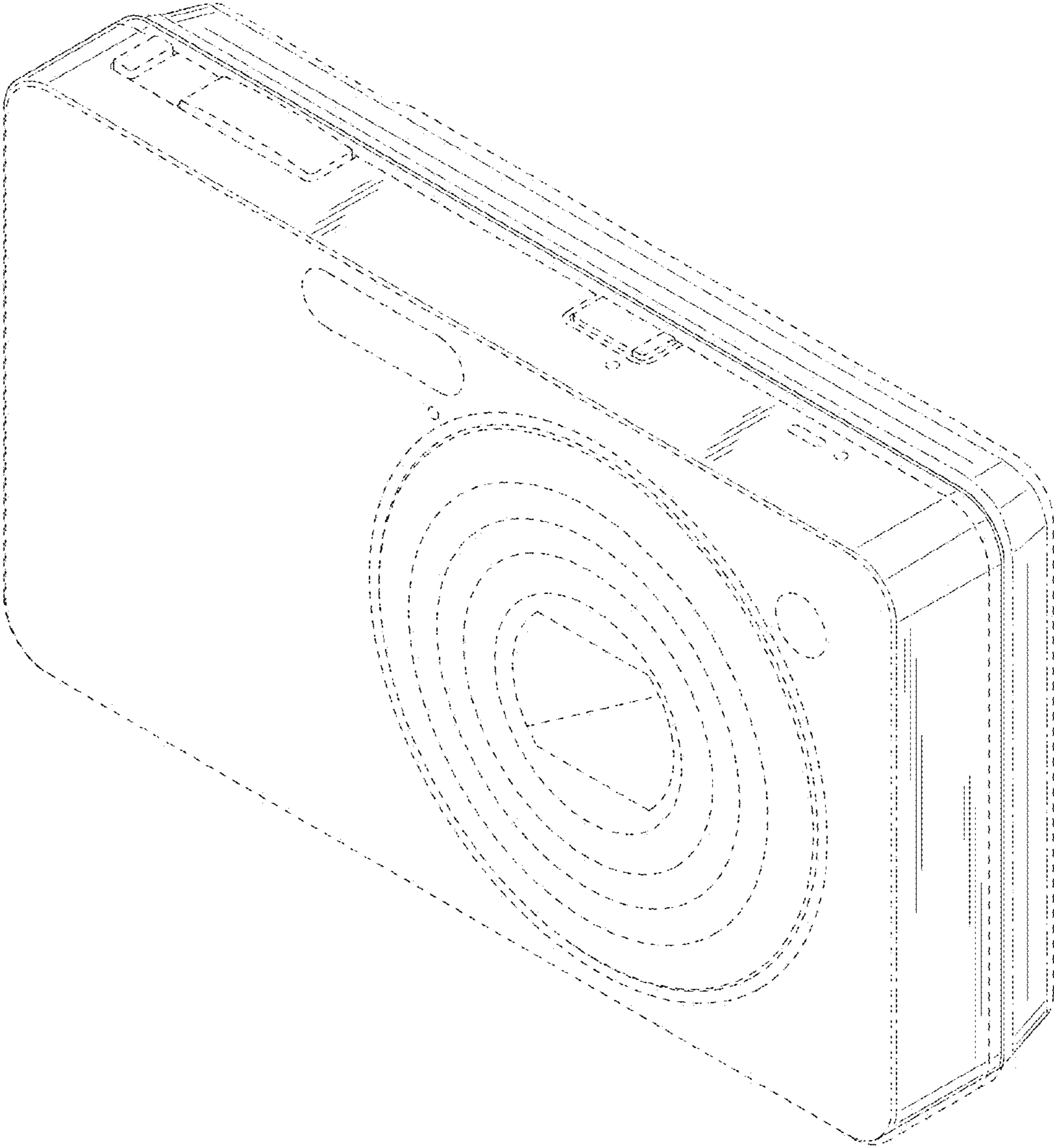


FIG.2

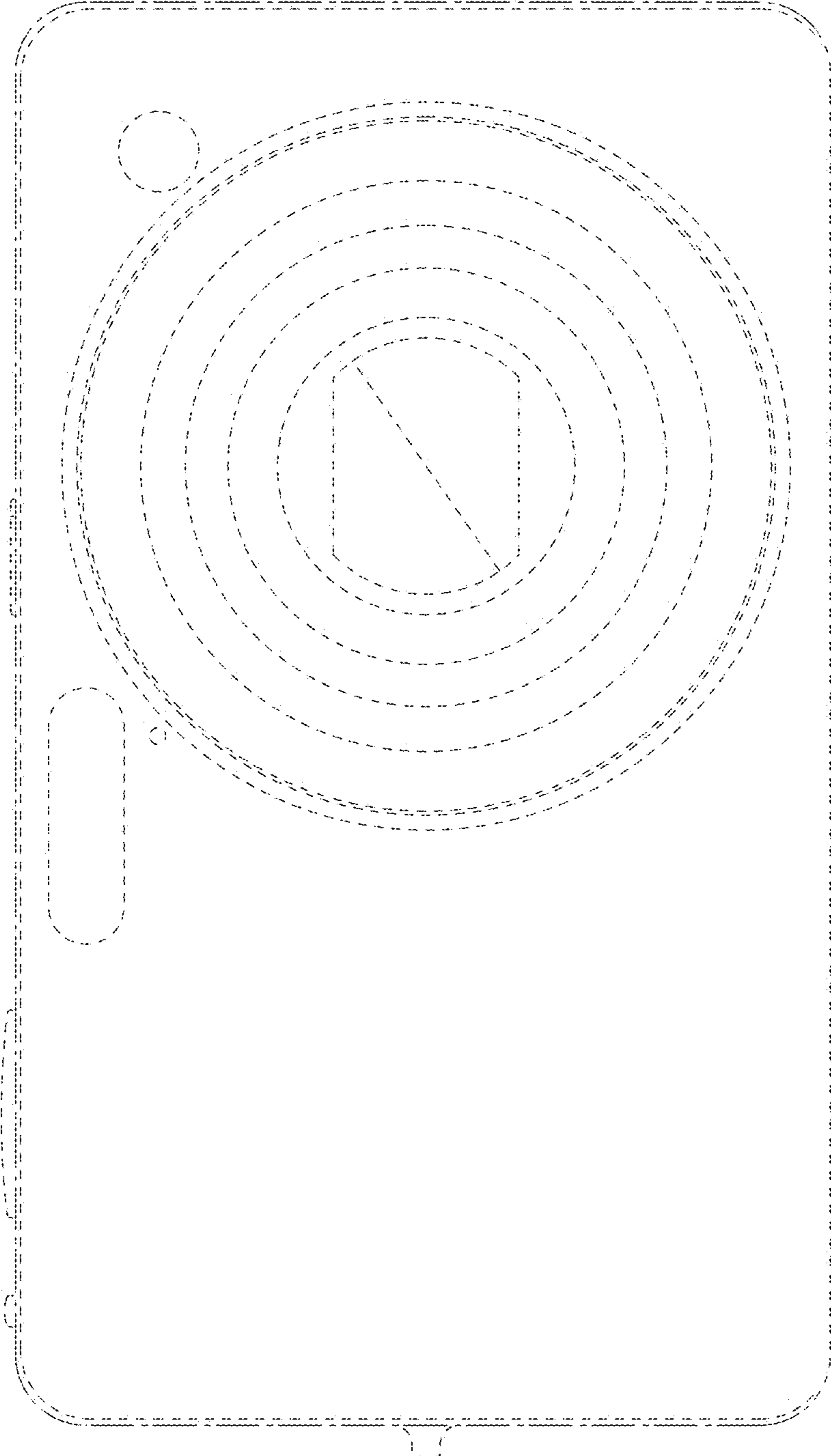


FIG. 3

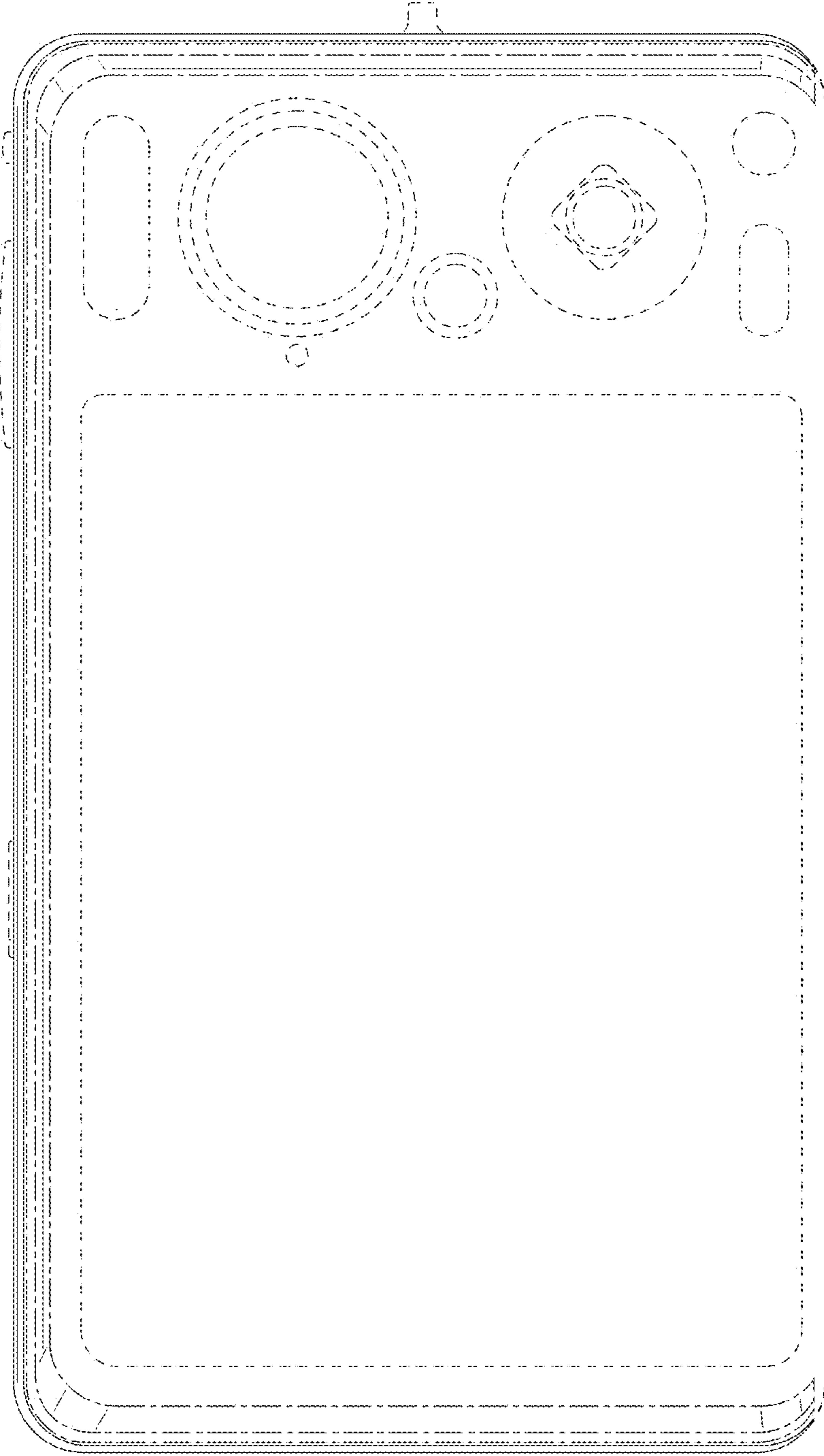


FIG.4

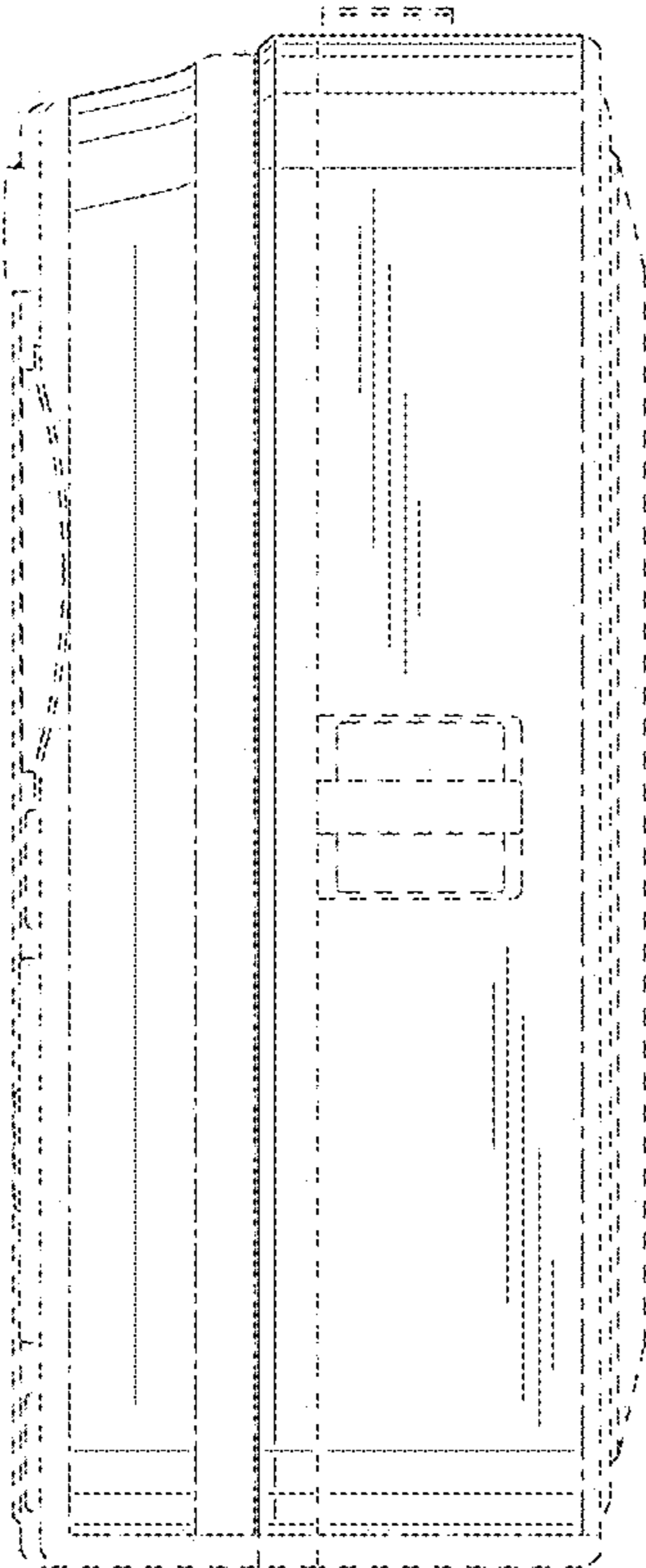


FIG.5

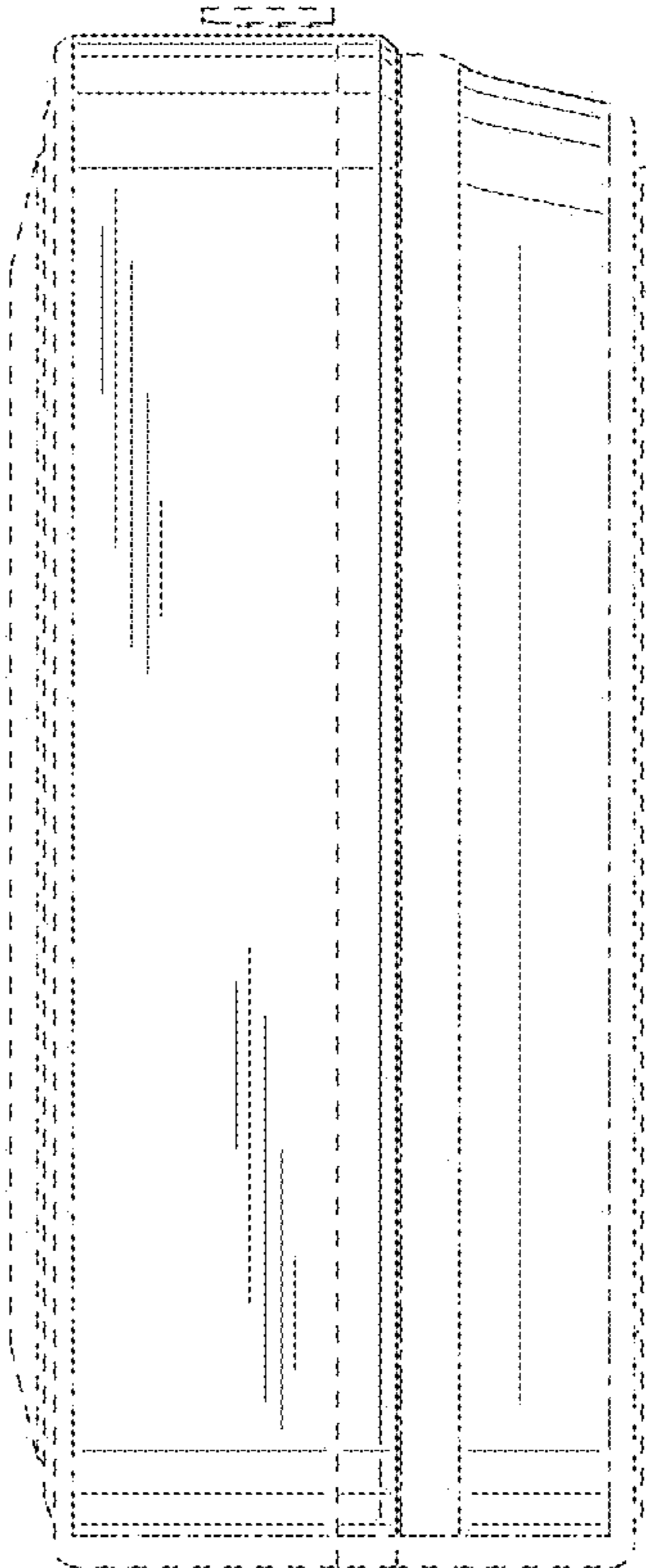


FIG.6

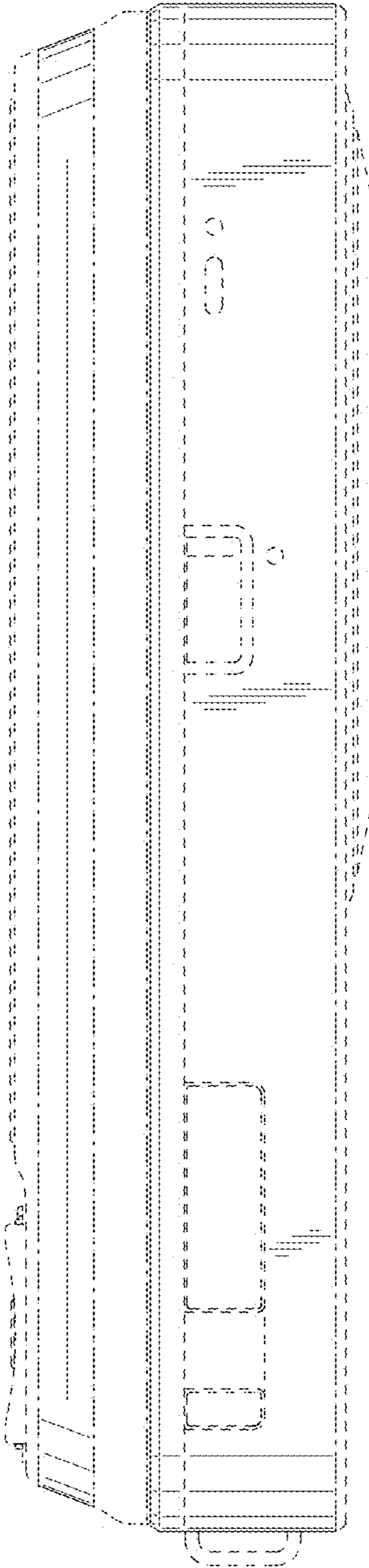


FIG. 7

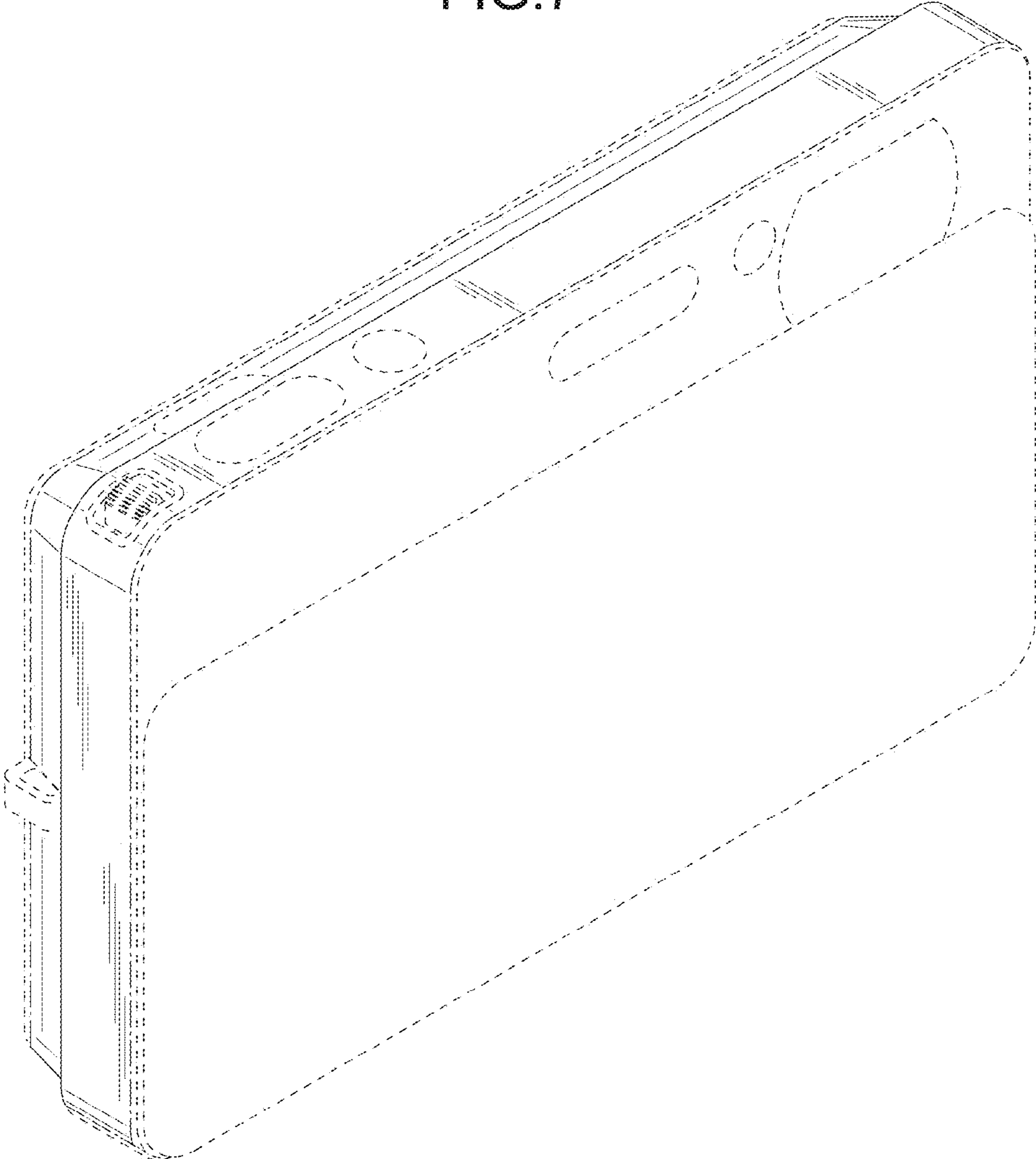


FIG. 8

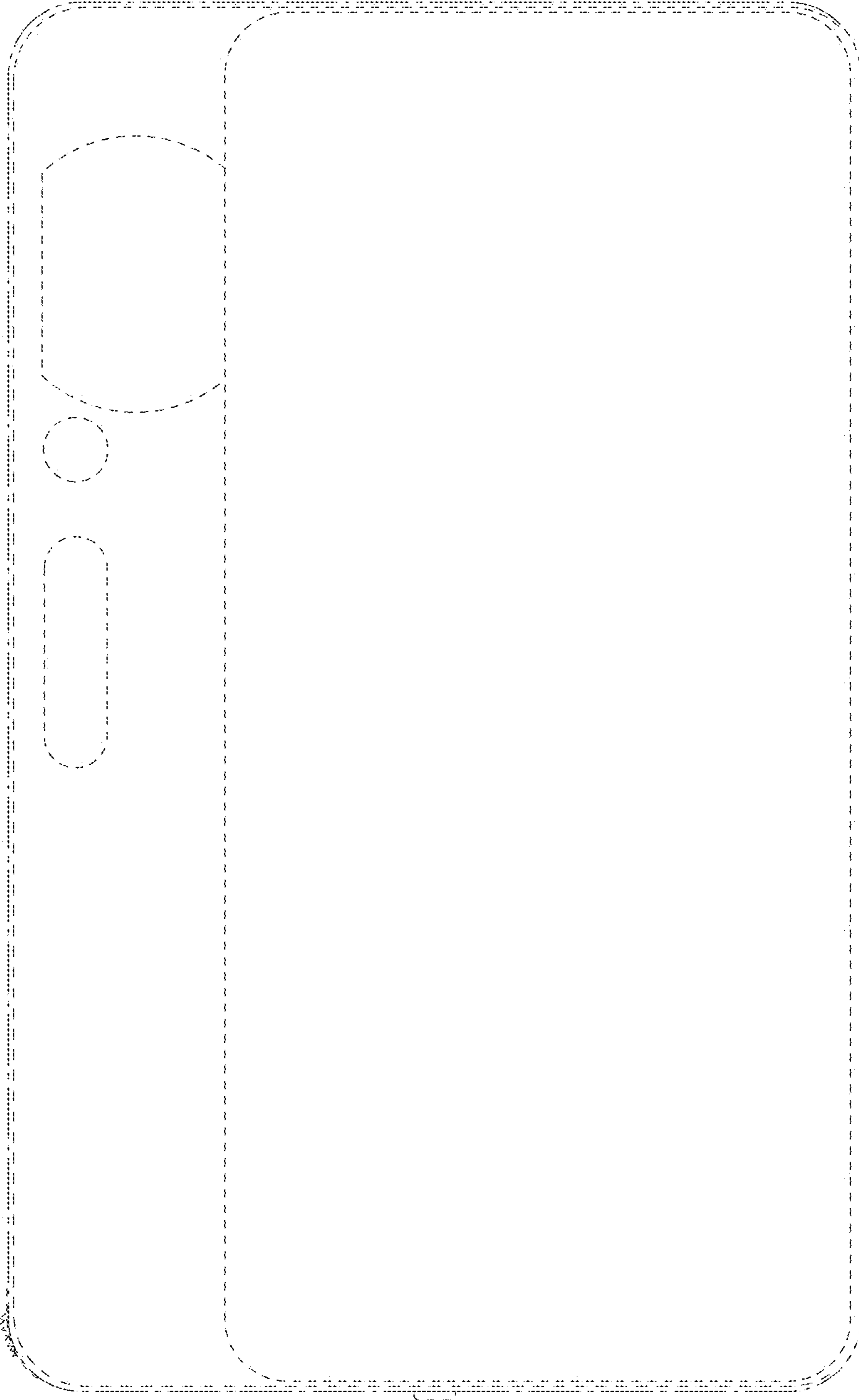


FIG. 9

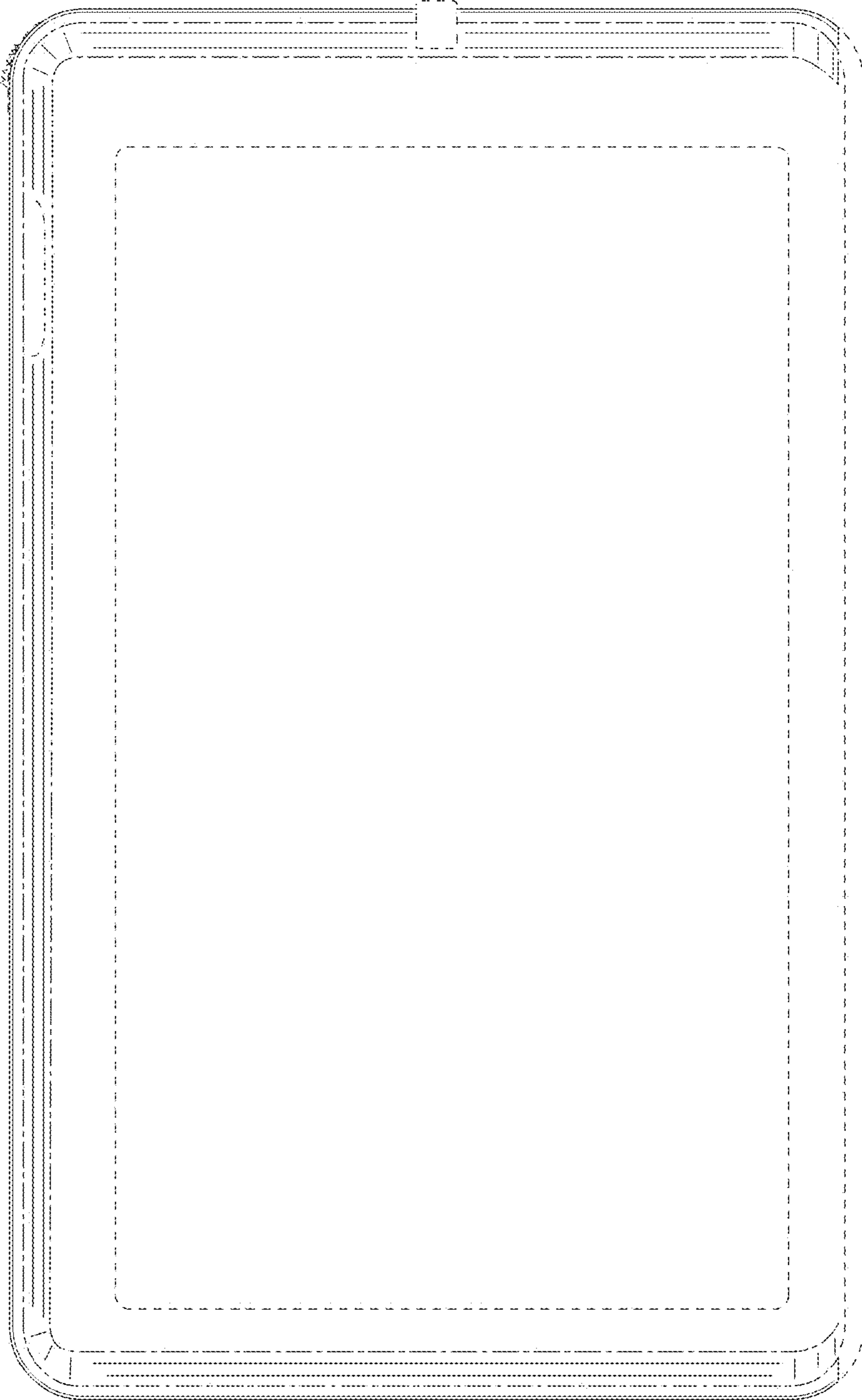


FIG.10

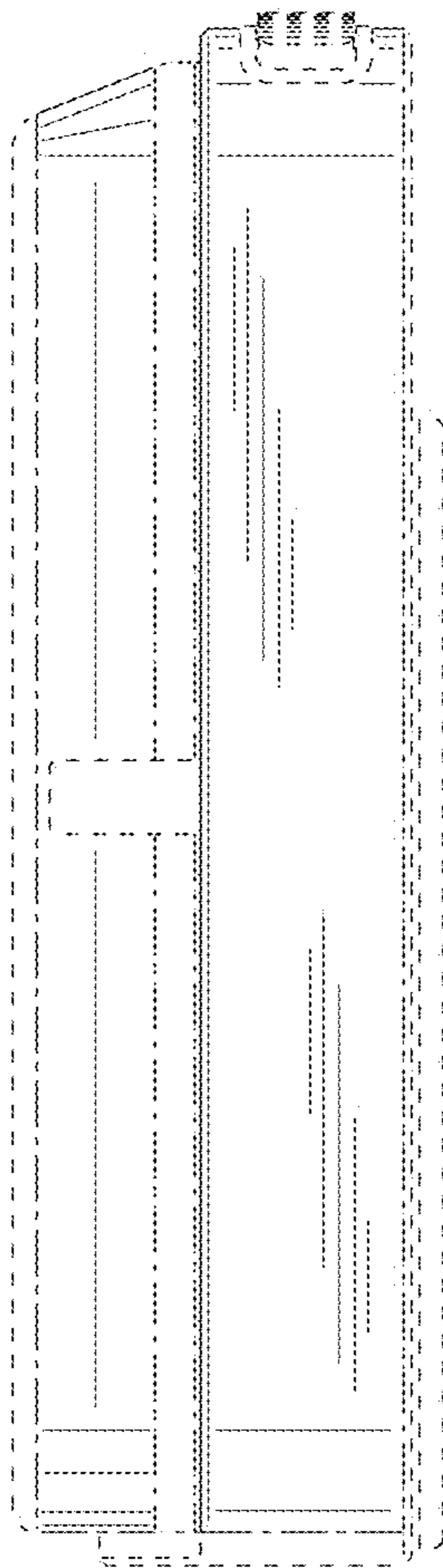


FIG.11

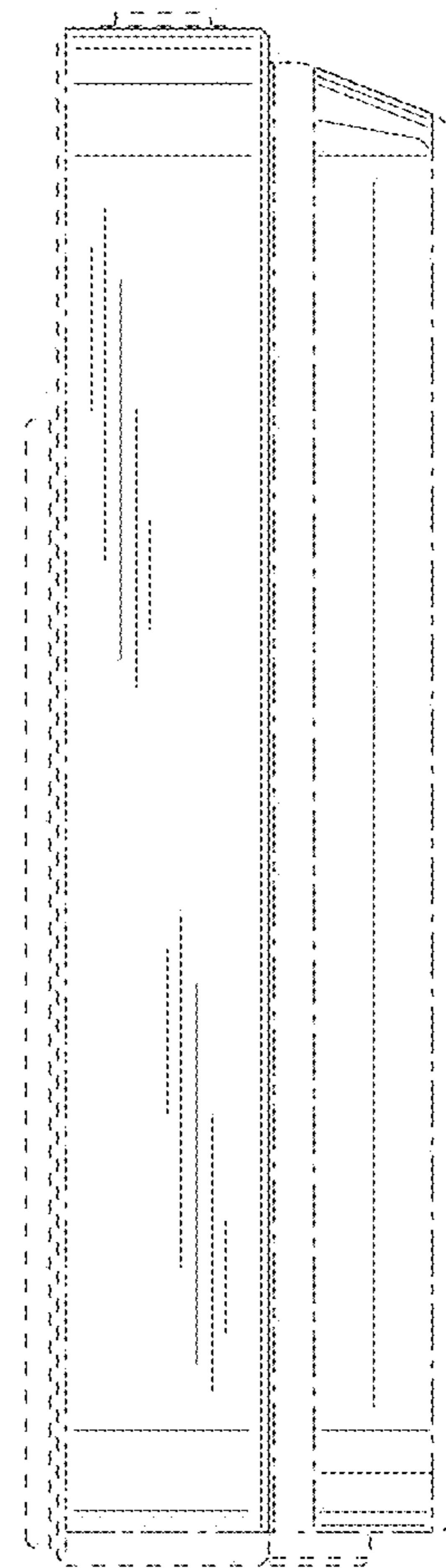


FIG.12

