



US00D682338S

(12) **United States Design Patent**  
**Uemachi**

(10) **Patent No.:** **US D682,338 S**

(45) **Date of Patent:** **\*\* May 14, 2013**

(54) **DIGITAL CAMERA**

(75) Inventor: **Tatsuya Uemachi**, Kanagawa pref. (JP)

(73) Assignee: **Nikon Corporation**, Tokyo (JP)

(\*\*) Term: **14 Years**

(21) Appl. No.: **29/415,384**

(22) Filed: **Mar. 9, 2012**

(30) **Foreign Application Priority Data**

Sep. 20, 2011 (JP) ..... 2011-021398

(51) **LOC (9) Cl.** ..... **16-01**

(52) **U.S. Cl.**  
USPC ..... **D16/202**

(58) **Field of Classification Search** ..... D16/200,  
D16/202, 204, 208, 218, 219; 348/373-376;  
358/909.1; 396/25, 535, 540, 541  
See application file for complete search history.

(56) **References Cited**

**U.S. PATENT DOCUMENTS**

- D555,689 S \* 11/2007 Yoo et al. .... D16/218
- D597,576 S \* 8/2009 Kim et al. .... D16/202
- 7,778,014 B2 \* 8/2010 Saiki et al. .... 361/679.01
- D628,220 S \* 11/2010 Lee ..... D16/202

- 7,929,859 B2 \* 4/2011 Saiki ..... 396/535
- D640,300 S \* 6/2011 Sato et al. .... D16/202
- D649,572 S \* 11/2011 Lee ..... D16/202
- D662,958 S \* 7/2012 Fujita ..... D16/202

\* cited by examiner

*Primary Examiner* — Adir Aronovich

(74) *Attorney, Agent, or Firm* — Wolf, Greenfield & Sacks, P.C.; Randy J. Pritzker

(57) **CLAIM**

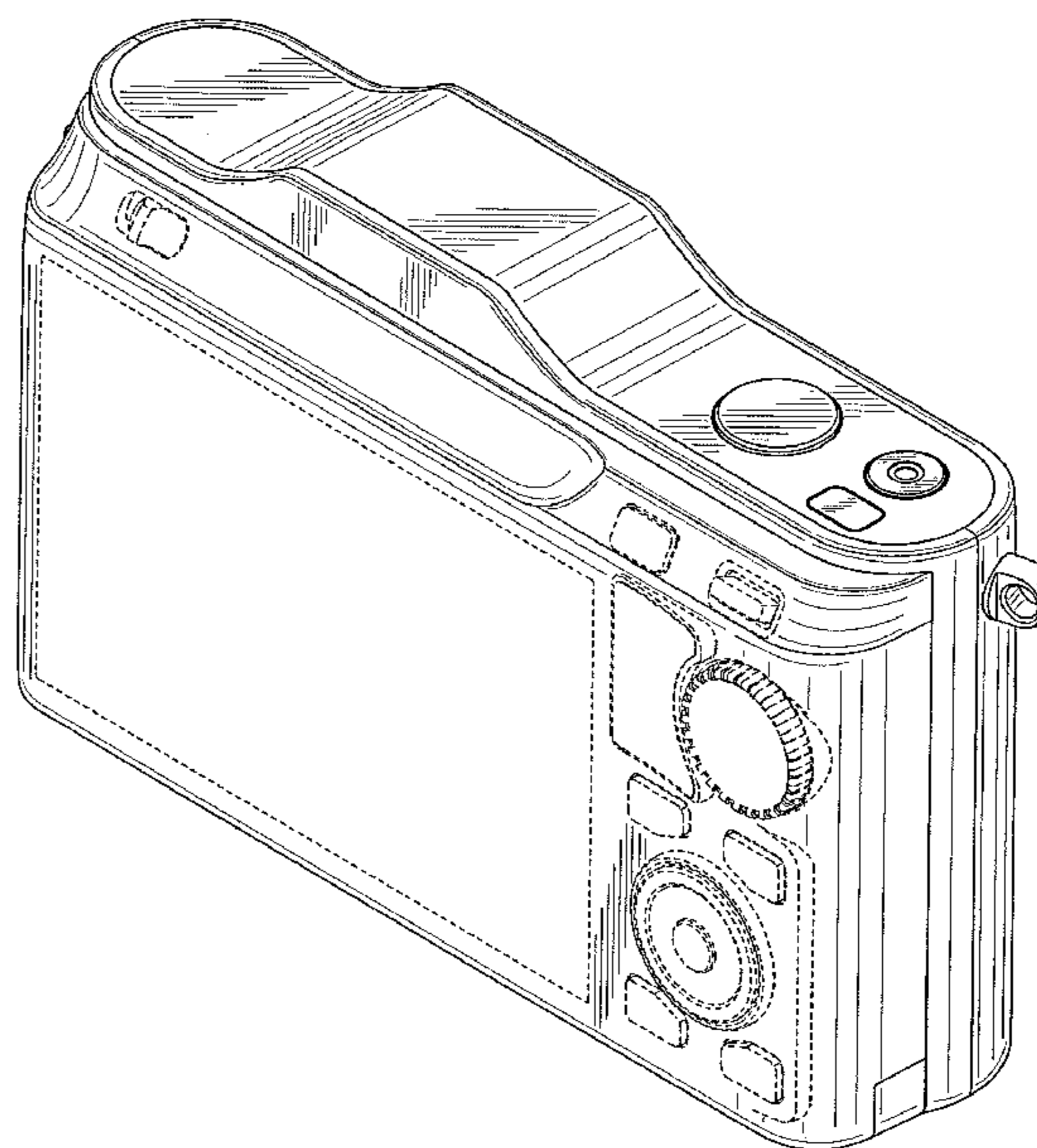
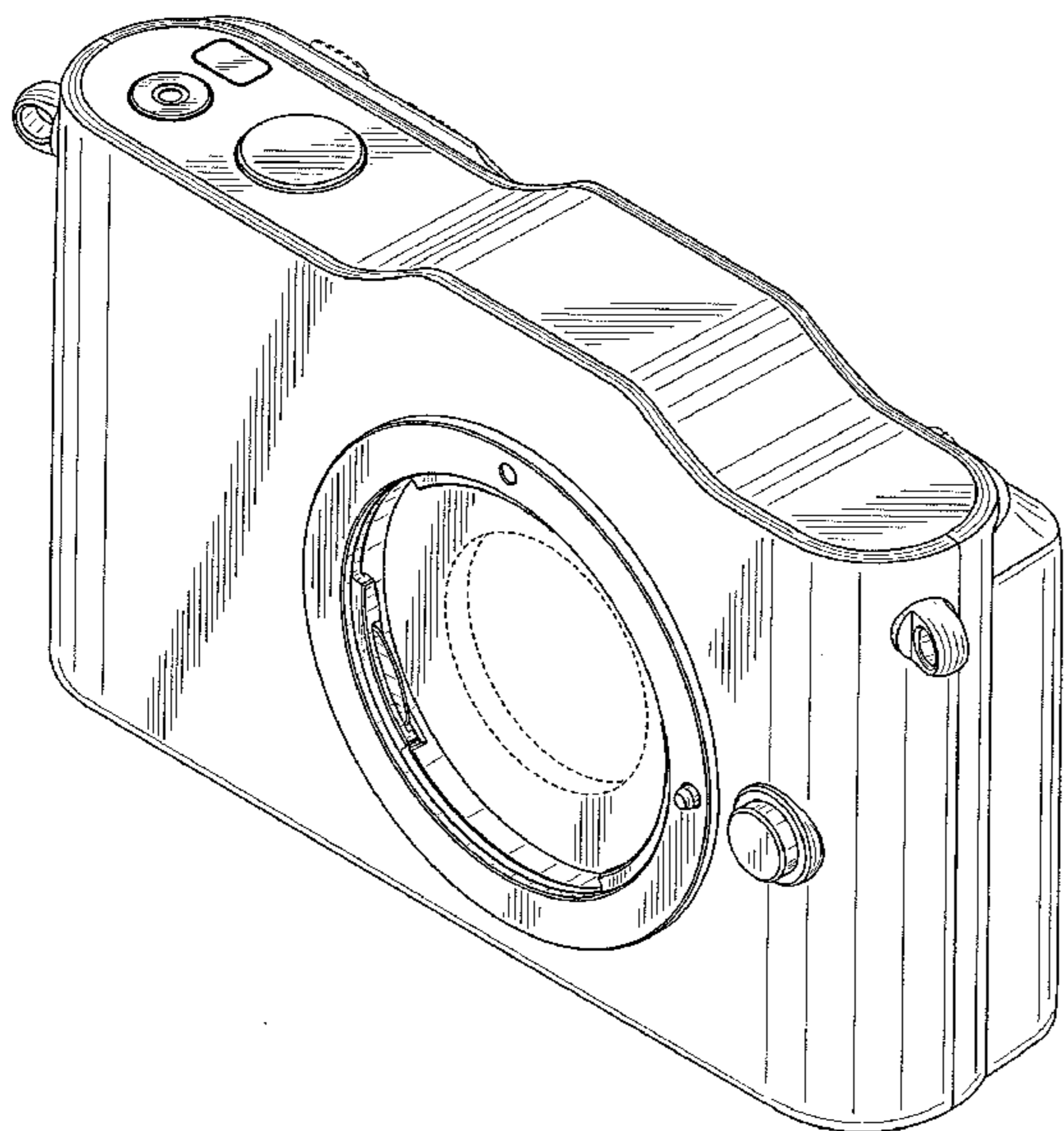
The ornamental design for a digital camera, as shown and described.

**DESCRIPTION**

FIG. 1 is a front perspective view of a digital camera showing my new design;  
 FIG. 2 is a rear perspective view thereof;  
 FIG. 3 is a front elevational view thereof;  
 FIG. 4 is a rear elevational view thereof;  
 FIG. 5 is a top plan view thereof;  
 FIG. 6 is a bottom plan view thereof;  
 FIG. 7 is a right side elevational view thereof; and,  
 FIG. 8 is a left side elevational view thereof.

The features shown in broken lines in the drawings depict environmental subject matter only and form no part of the claimed design.

**1 Claim, 7 Drawing Sheets**



*FIG. 1*

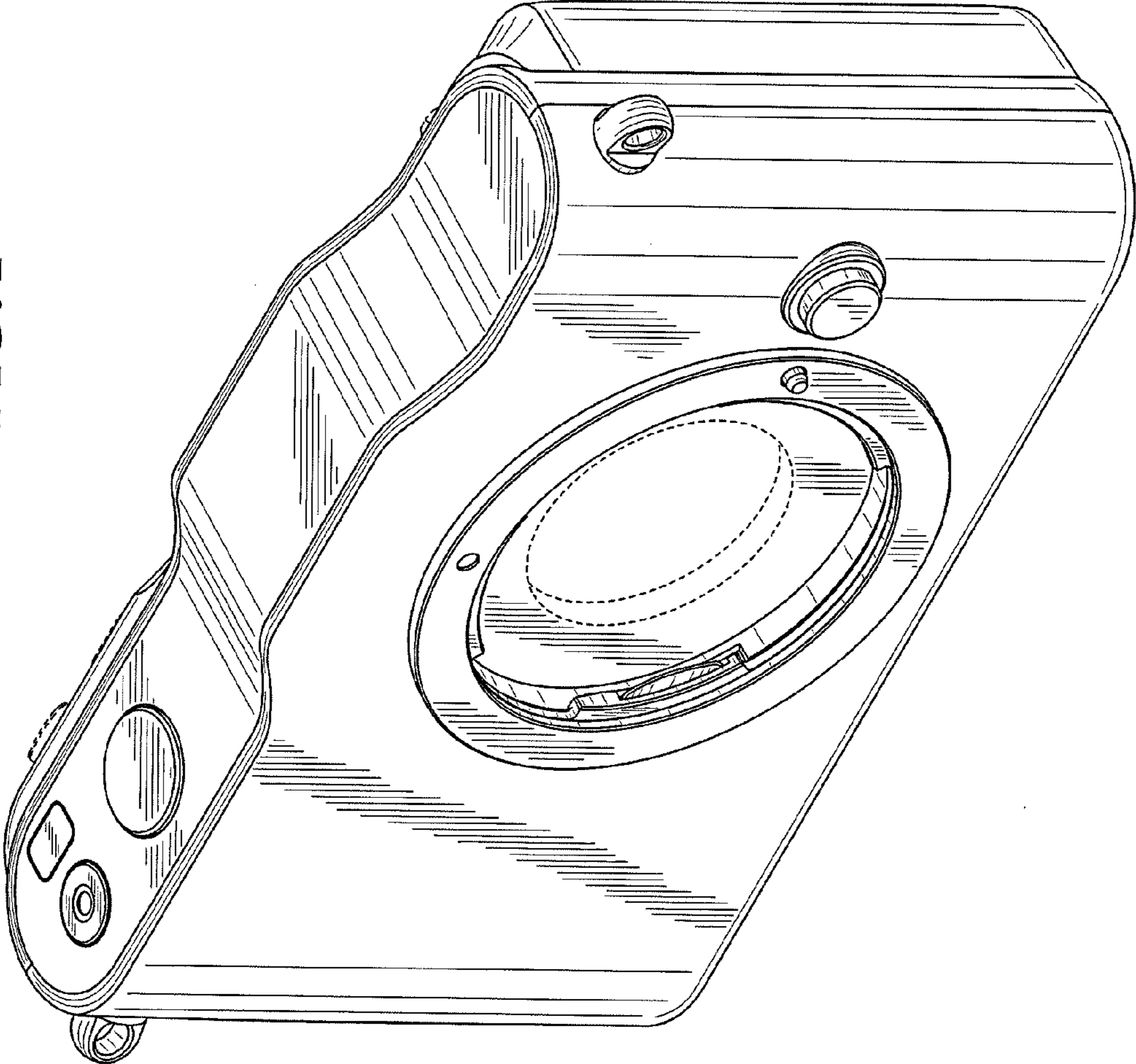
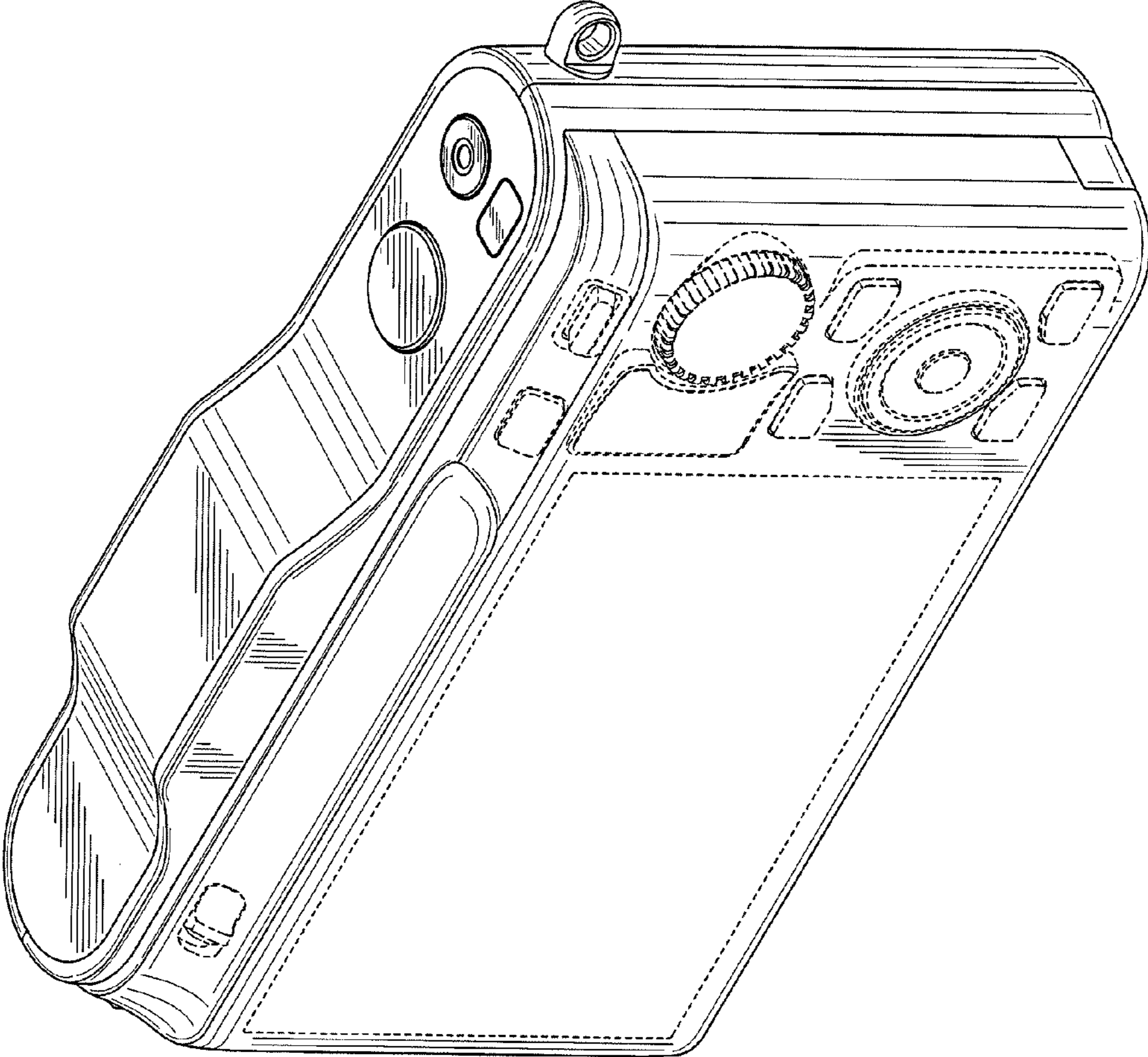
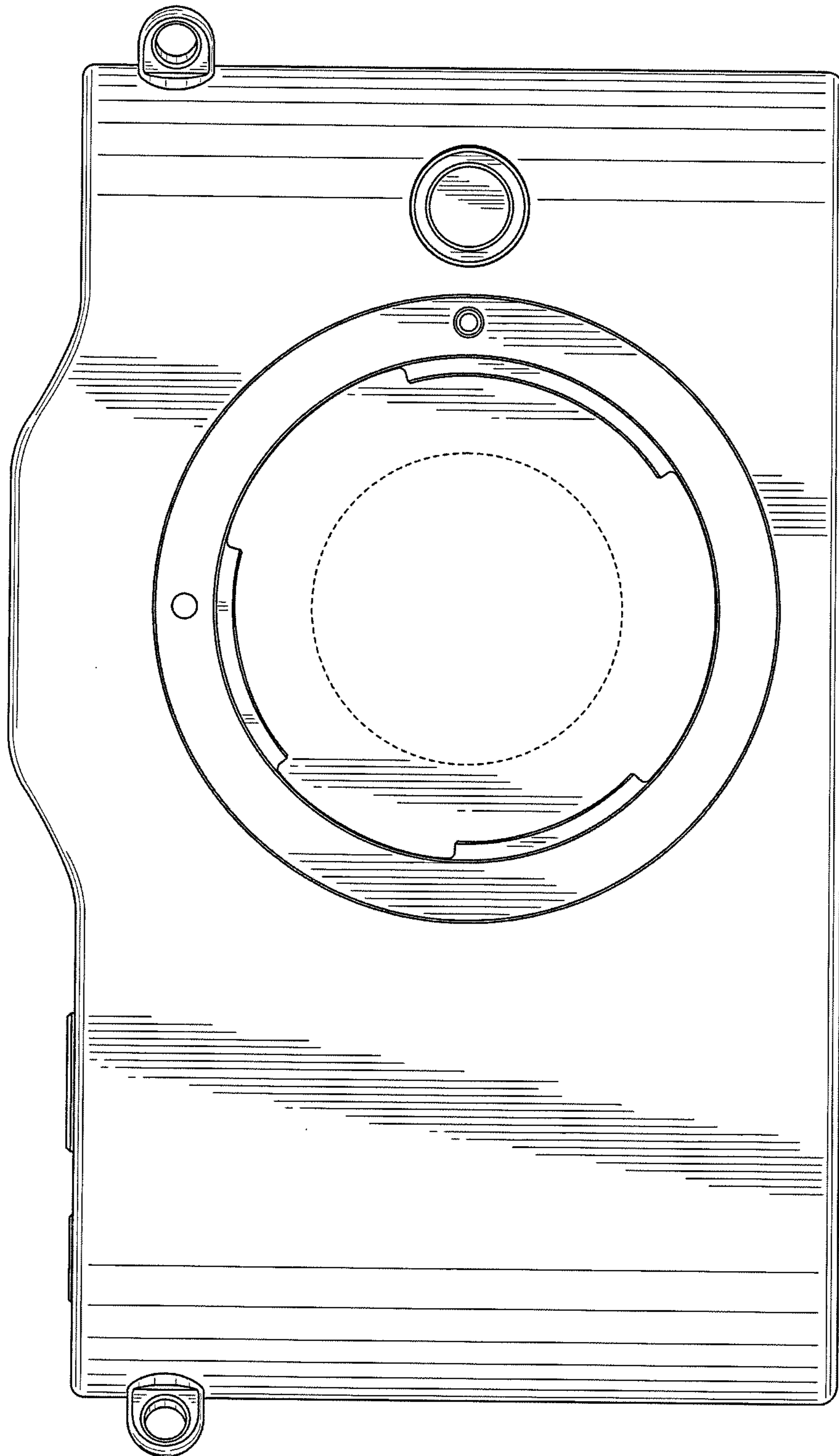


FIG. 2

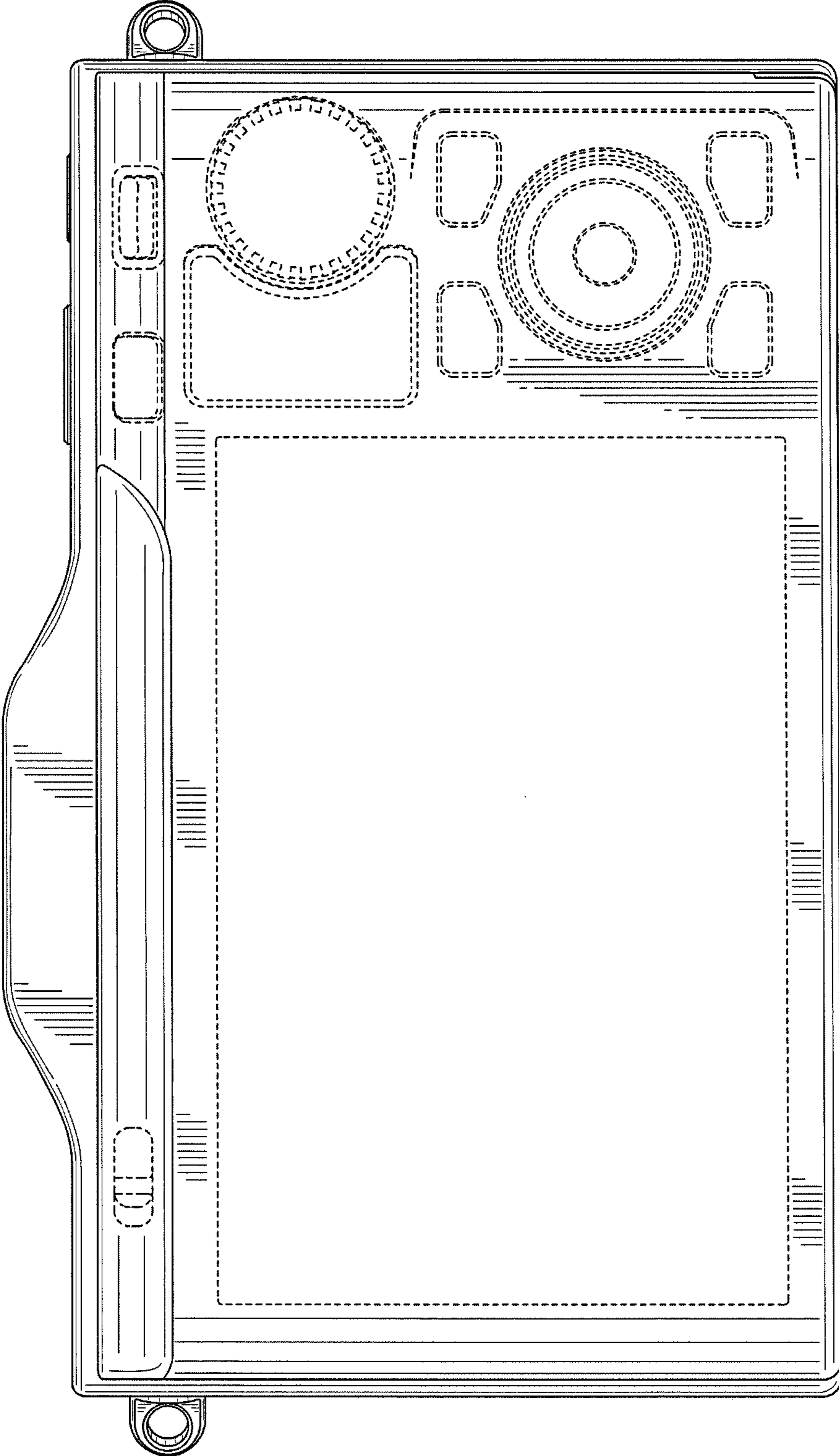




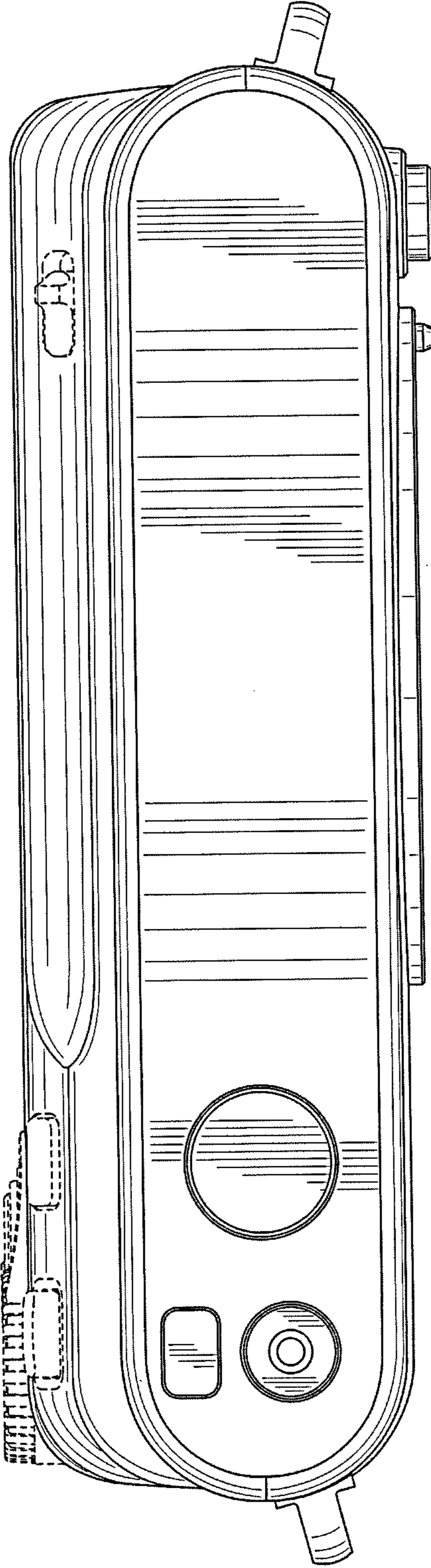
**FIG. 3**



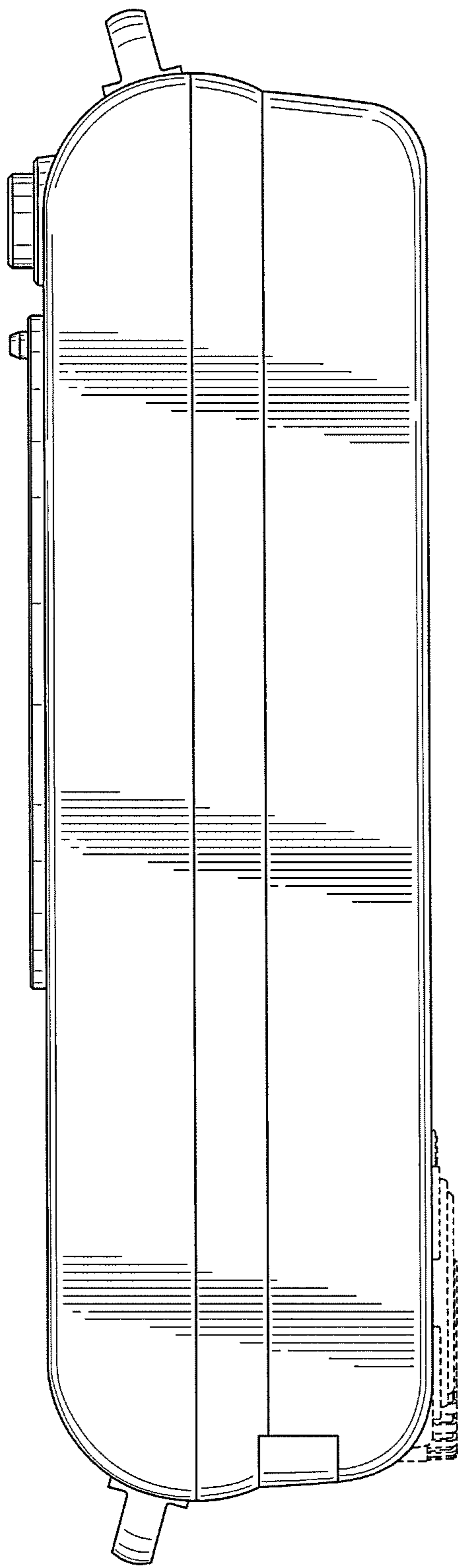
**FIG. 4**



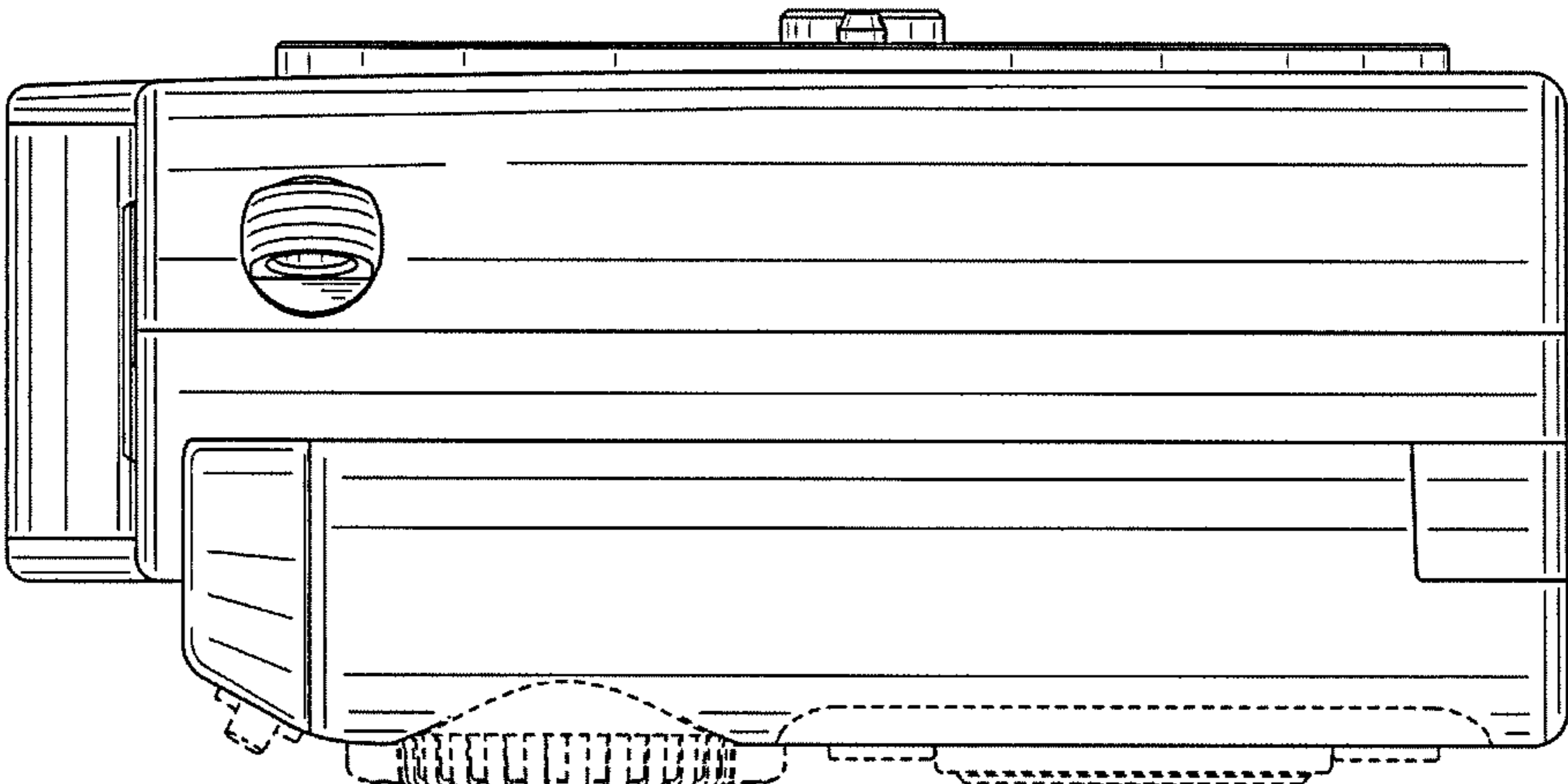
*FIG. 5*



**FIG. 6**



**FIG. 8**



**FIG. 7**

