



US00D682336S

(12) **United States Design Patent**  
**Jang et al.**

(10) **Patent No.:** **US D682,336 S**

(45) **Date of Patent:** **\*\* May 14, 2013**

(54) **CAMCORDER**

(75) Inventors: **Youngsang Jang**, Anyang-si (KR);  
**Myung-Kyu Kim**, Gangnam-gu (KR)

(73) Assignee: **Samsung Electronics Co., Ltd.**,  
Gyeonggi-do (KR)

(\*\*) Term: **14 Years**

(21) Appl. No.: **29/415,334**

(22) Filed: **Mar. 9, 2012**

(51) **LOC (9) Cl.** ..... **16-01**

(52) **U.S. Cl.**  
USPC ..... **D16/202**

(58) **Field of Classification Search** ..... D16/200–204,  
D16/208, 218; 348/373–376; 358/909.1;  
396/535–541

See application file for complete search history.

(56) **References Cited**

U.S. PATENT DOCUMENTS

6,683,654 B1 \* 1/2004 Haijima ..... 348/374  
6,728,480 B1 \* 4/2004 Maeda et al. .... 348/373

D529,063 S \* 9/2006 Cheng ..... D16/203  
D584,753 S \* 1/2009 Chung et al. .... D16/202  
D613,323 S \* 4/2010 Jang et al. .... D16/202  
7,859,592 B2 \* 12/2010 Takahashi et al. .... 348/374  
D643,454 S \* 8/2011 Zaliauskas et al. .... D16/203  
2007/0153120 A1 \* 7/2007 Kajikawa et al. .... 348/373

\* cited by examiner

*Primary Examiner* — Adir Aronovich

(74) *Attorney, Agent, or Firm* — Harness, Dickey & Pierce,  
P.L.C.

(57) **CLAIM**

The ornamental design for a camcorder, as shown.

**DESCRIPTION**

FIG. 1 is a front, top and right side perspective view of a camcorder showing our new design;  
FIG. 2 is a front elevational view thereof;  
FIG. 3 is a rear elevational view thereof;  
FIG. 4 is a left side elevational view thereof;  
FIG. 5 is a right side elevational view thereof;  
FIG. 6 is a top plan view thereof; and,  
FIG. 7 is a bottom plan view thereof.

**1 Claim, 5 Drawing Sheets**

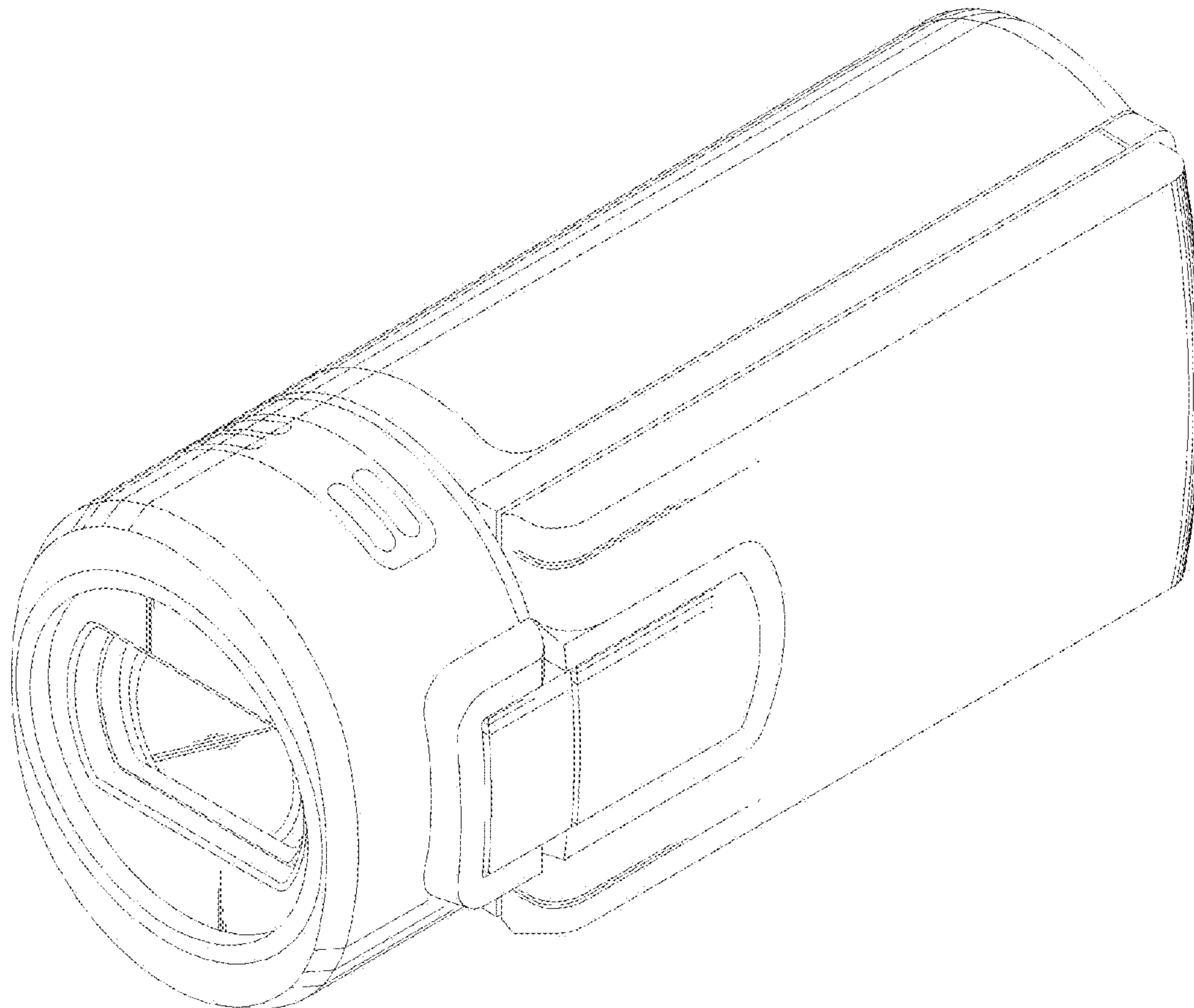


FIG. 1

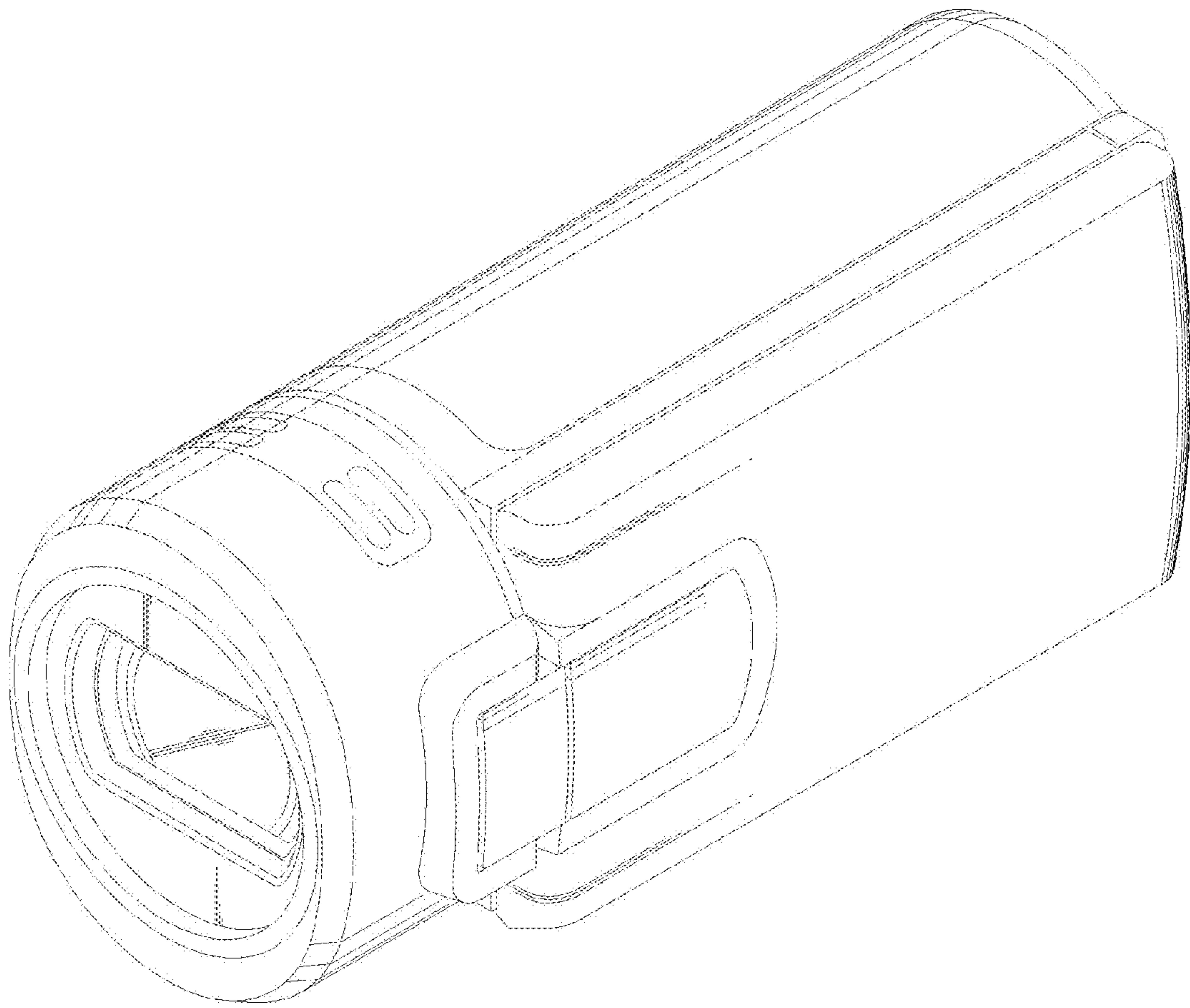


FIG. 2

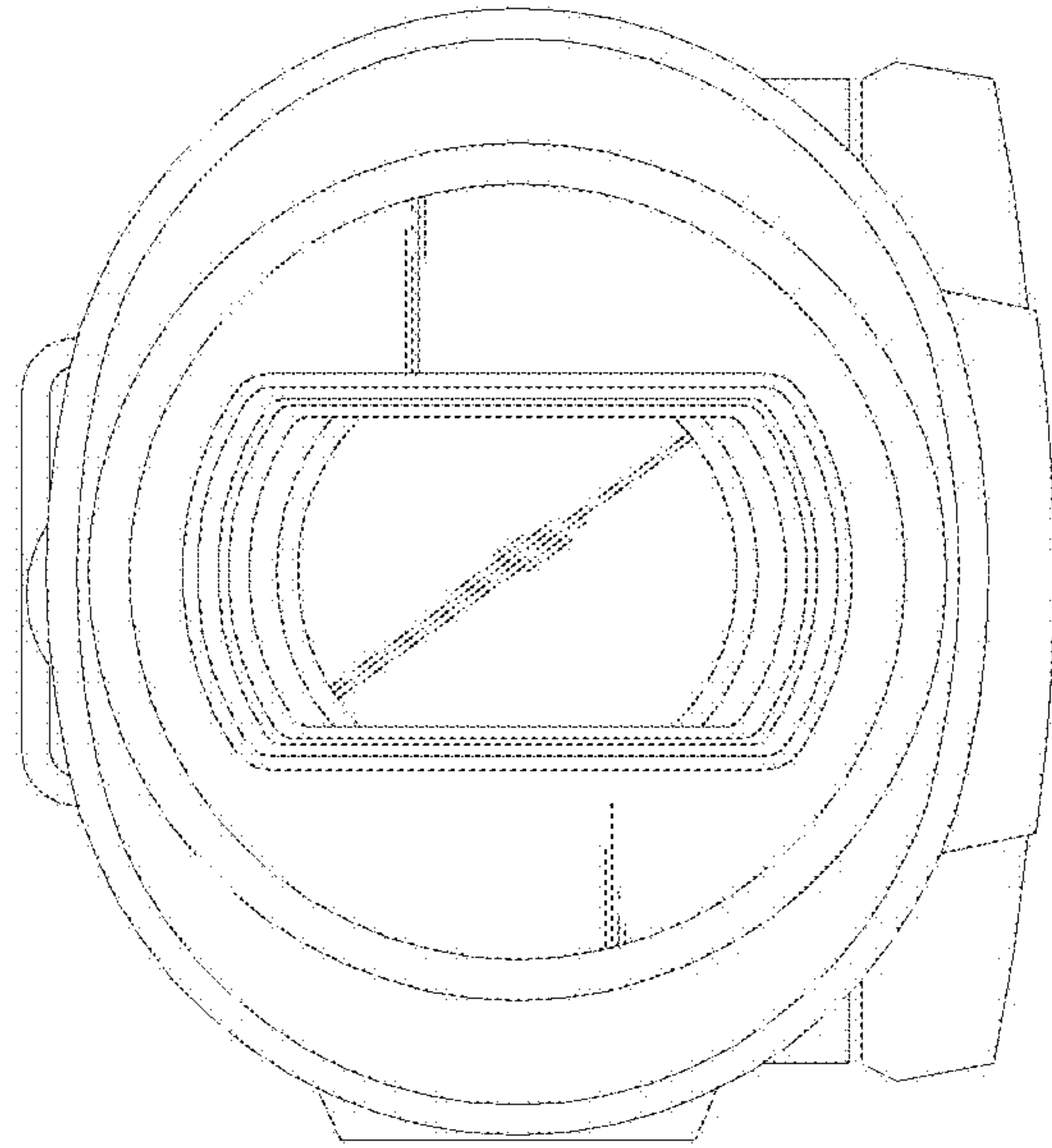


FIG. 3

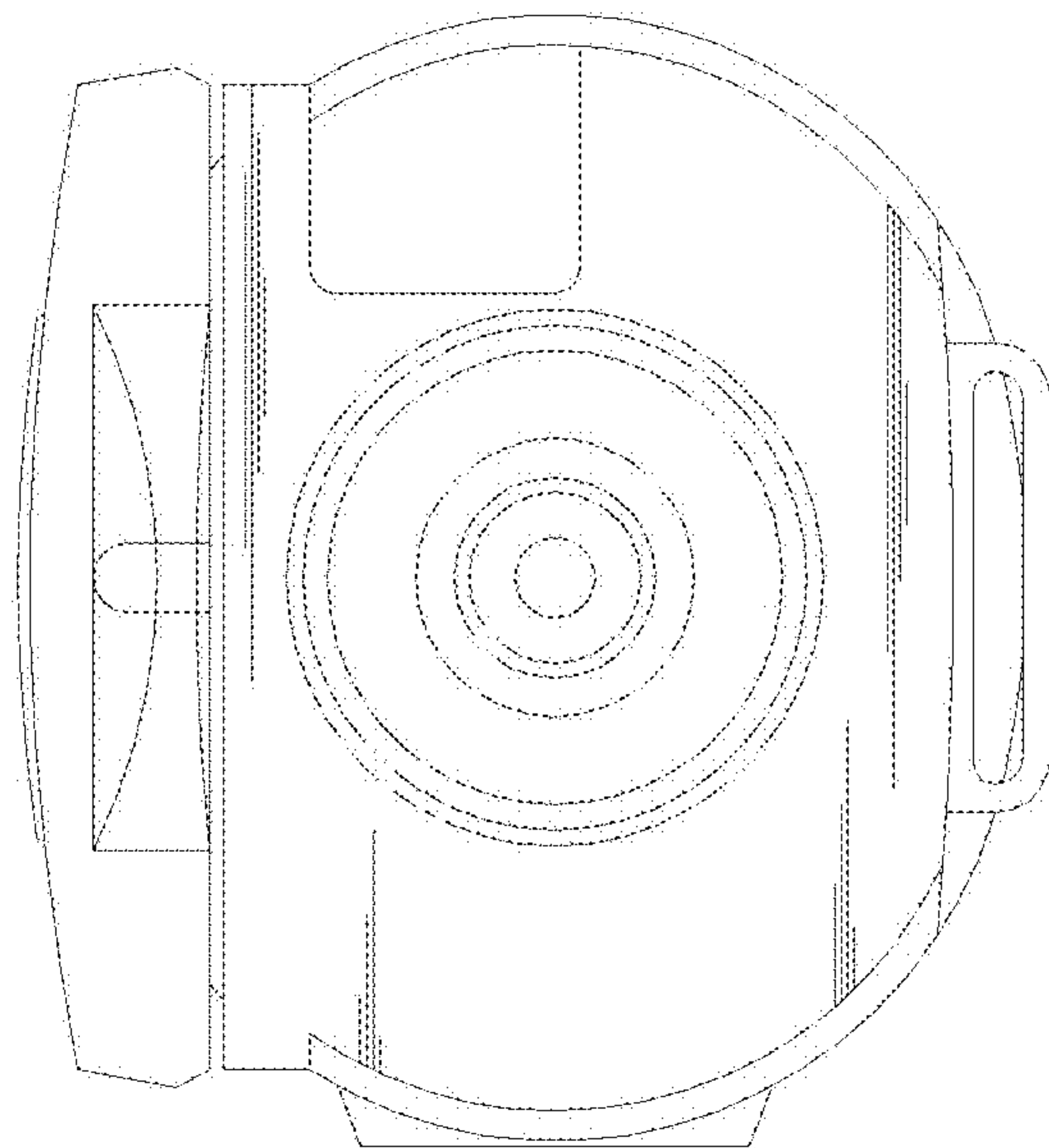


FIG. 4

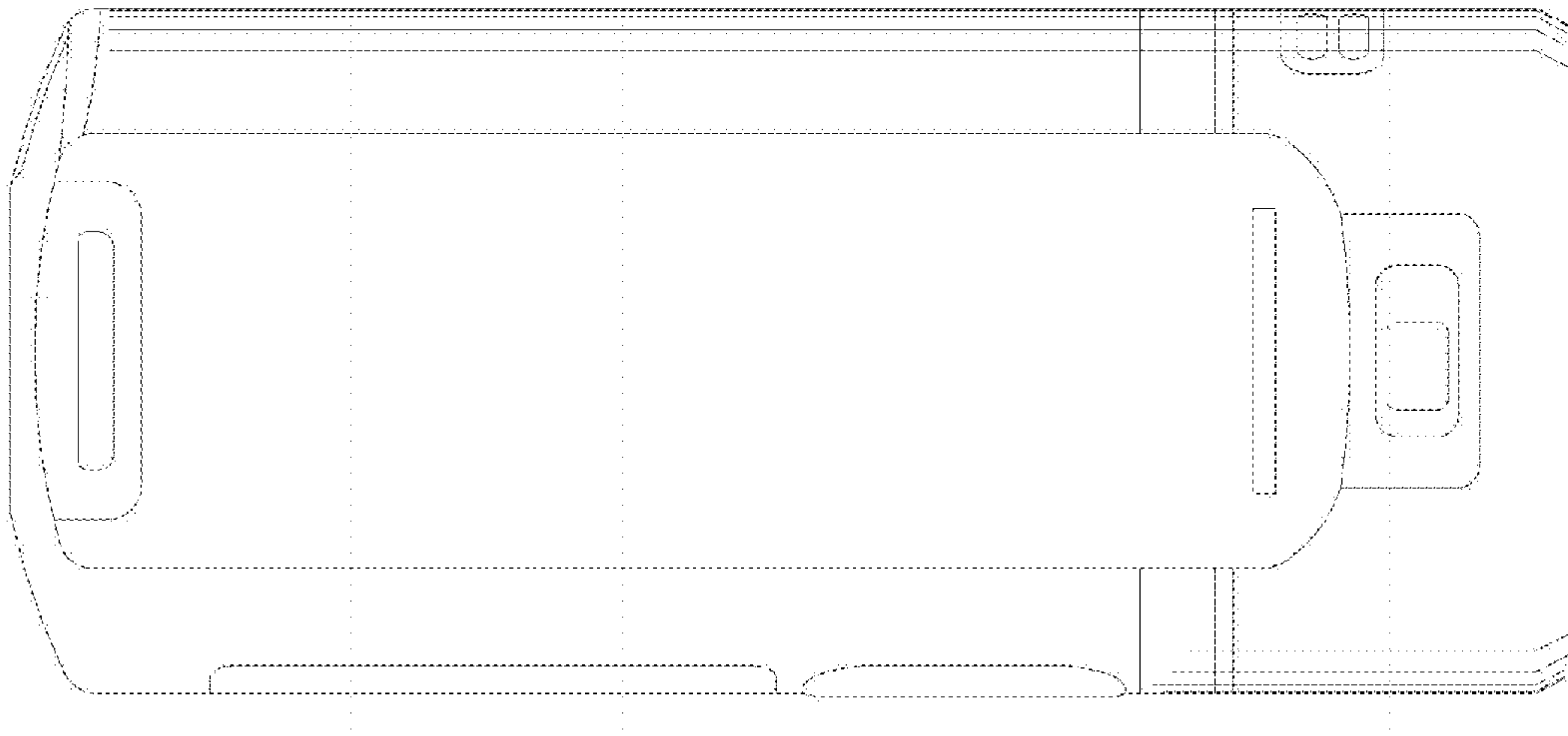


FIG. 5

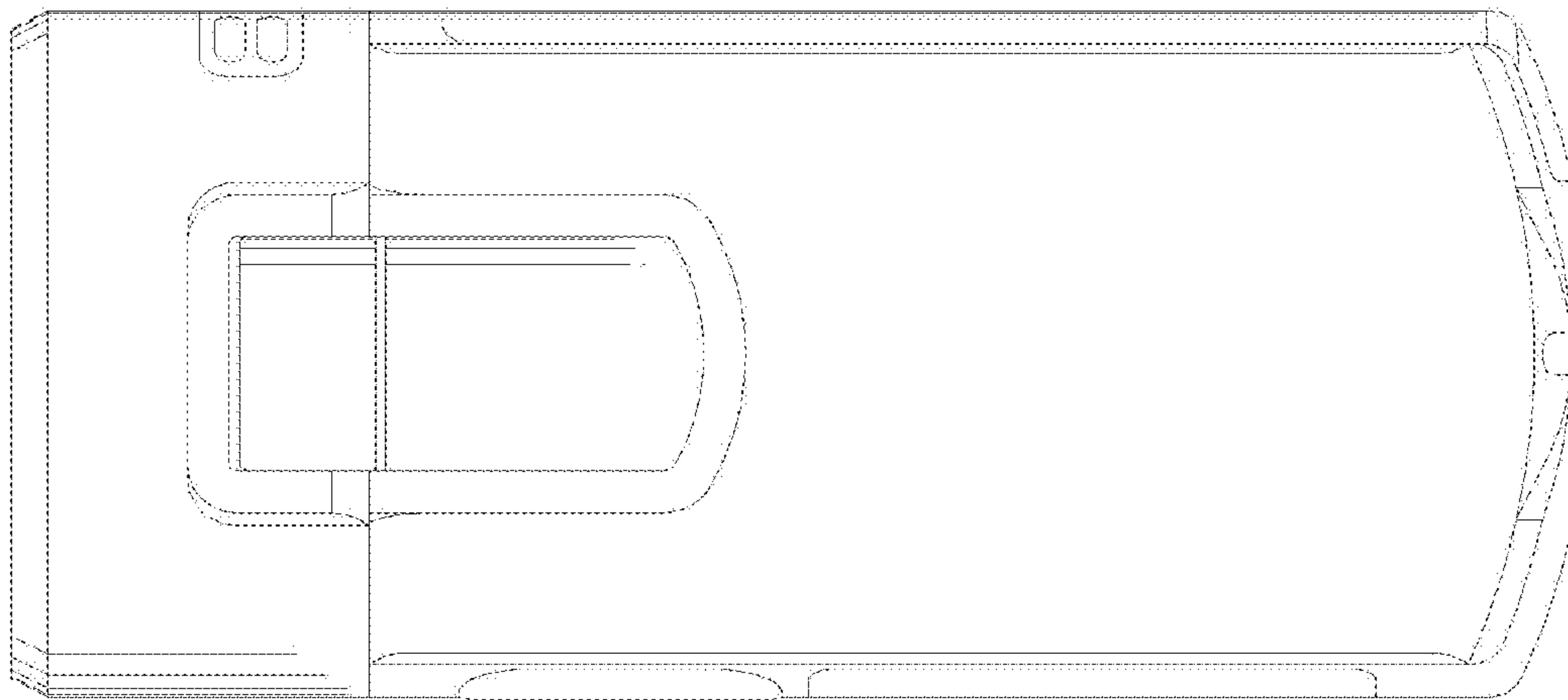


FIG. 6

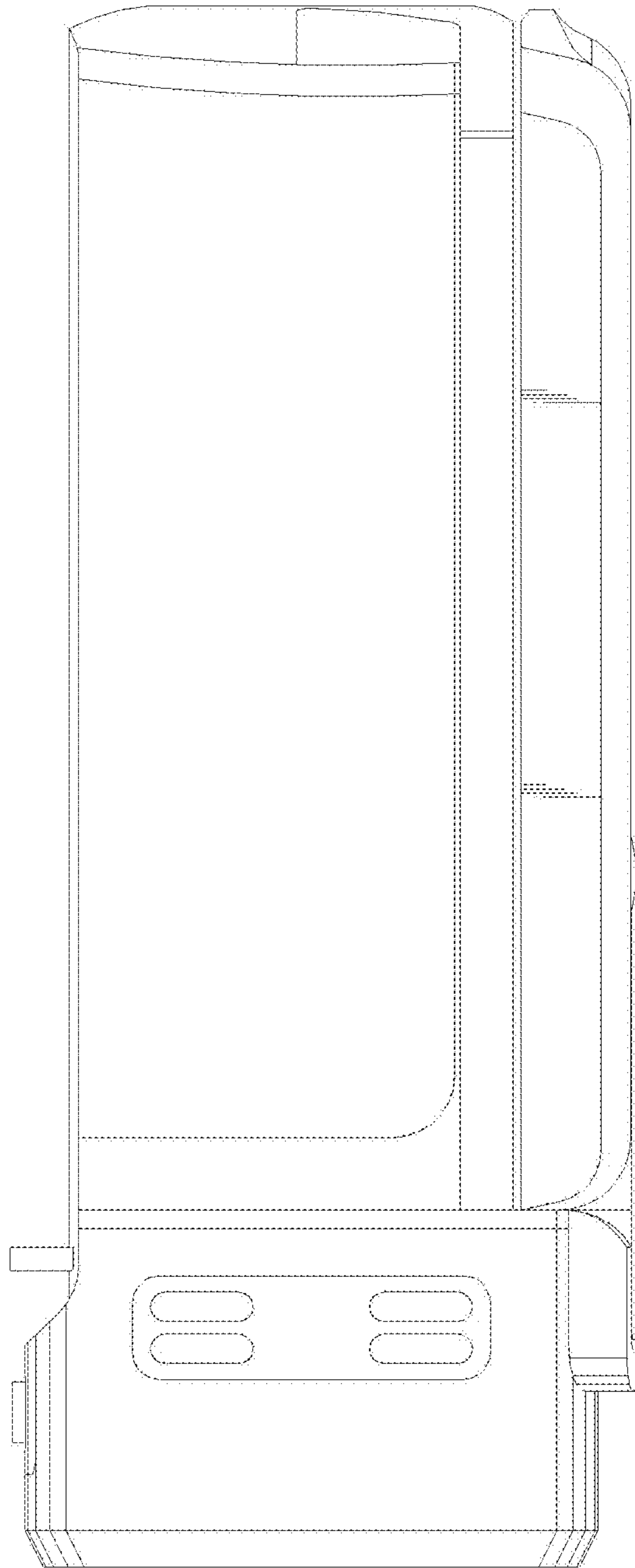


FIG. 7

