



US00D682332S

(12) **United States Design Patent**
Wang et al.

(10) **Patent No.:** **US D682,332 S**

(45) **Date of Patent:** **** May 14, 2013**

(54) **CAMERA WITH THREE LINKAGE CLIP**

(75) Inventors: **Stone Wang**, TaiChung (TW); **Jump Lin**, TaiChung (TW); **Martin Wang**, Hsinchu (TW); **Kenneth Ling**, San Francisco, CA (US)

(73) Assignee: **Logitech Europe S.A.**, Morges (CH)

(**) Term: **14 Years**

(21) Appl. No.: **29/400,198**

(22) Filed: **Aug. 24, 2011**

(51) **LOC (9) Cl.** **16-01**

(52) **U.S. Cl.**
USPC **D16/202; D16/242**

(58) **Field of Classification Search** D16/200-204,
D16/208, 218, 242; 348/373, 375; 396/419,
396/428, 535

See application file for complete search history.

(56) **References Cited**

U.S. PATENT DOCUMENTS

7,093,811	B2 *	8/2006	Wu	248/229.12
D532,807	S *	11/2006	Shih	D16/203
7,775,486	B2 *	8/2010	Depay et al.	348/373
D626,165	S *	10/2010	Raken et al.	D16/202
D627,813	S *	11/2010	Chen et al.	D16/202
D639,839	S *	6/2011	Kao	D16/202

D641,770	S *	7/2011	Hoehn et al.	D16/242
D660,338	S *	5/2012	Chen	D16/202
D665,439	S *	8/2012	Khamsepoor et al.	D16/202

* cited by examiner

Primary Examiner — Adir Aronovich

(74) *Attorney, Agent, or Firm* — Kilpatrick Townsend & Stockton LLP

(57) **CLAIM**

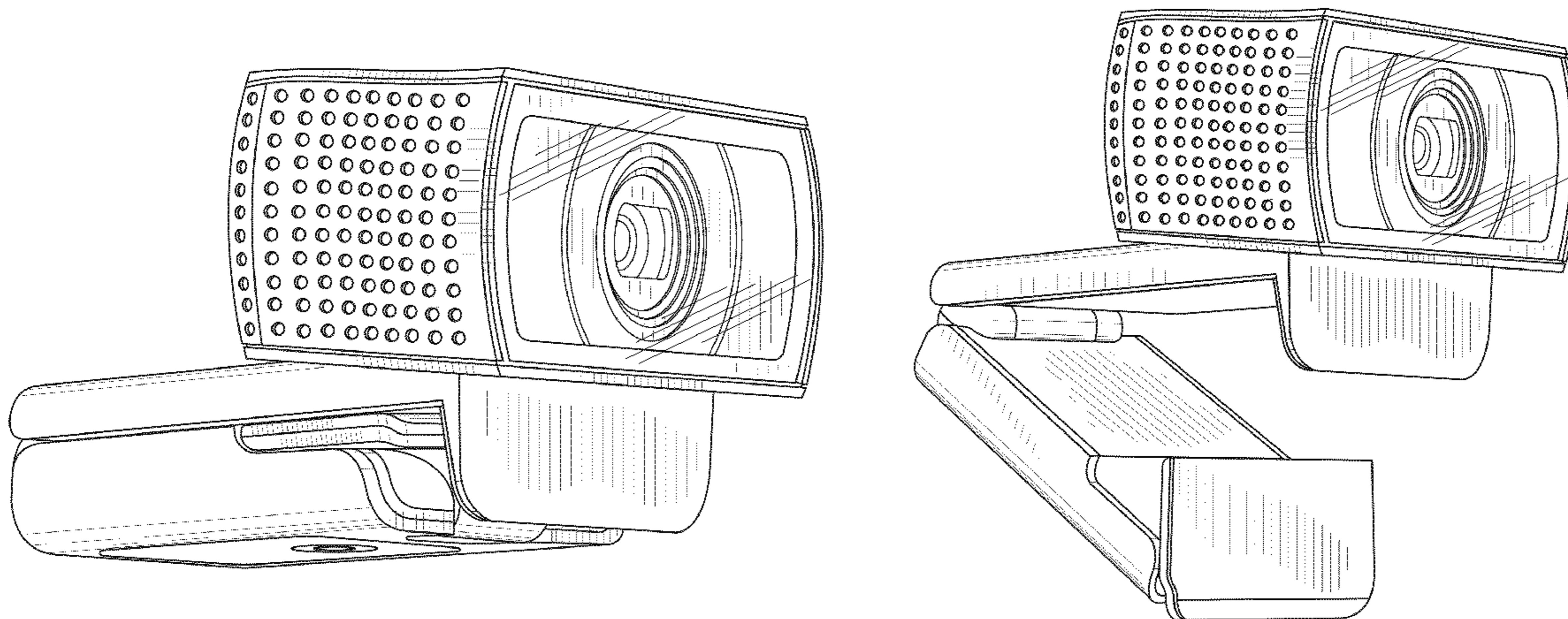
The ornamental design for a camera with three linkage clip, as shown and described.

DESCRIPTION

FIG. 1 is a front perspective view of a camera with three linkage clip showing our new design; FIG. 2 is a front elevational view thereof; FIG. 3 is a rear elevational view thereof; FIG. 4 is a right side elevational view thereof; FIG. 5 is a left side elevational view thereof; FIG. 6 is a top plan view thereof; FIG. 7 is a bottom plan view thereof; FIG. 8 is a front perspective view, thereof, shown in an open configuration; and, FIG. 9 is a right side elevational view in an open configuration.

The broken line portions of a cable in FIGS. 2, 3, 6 and 7 are shown to illustrate environment only and form no part of the claimed design.

1 Claim, 7 Drawing Sheets



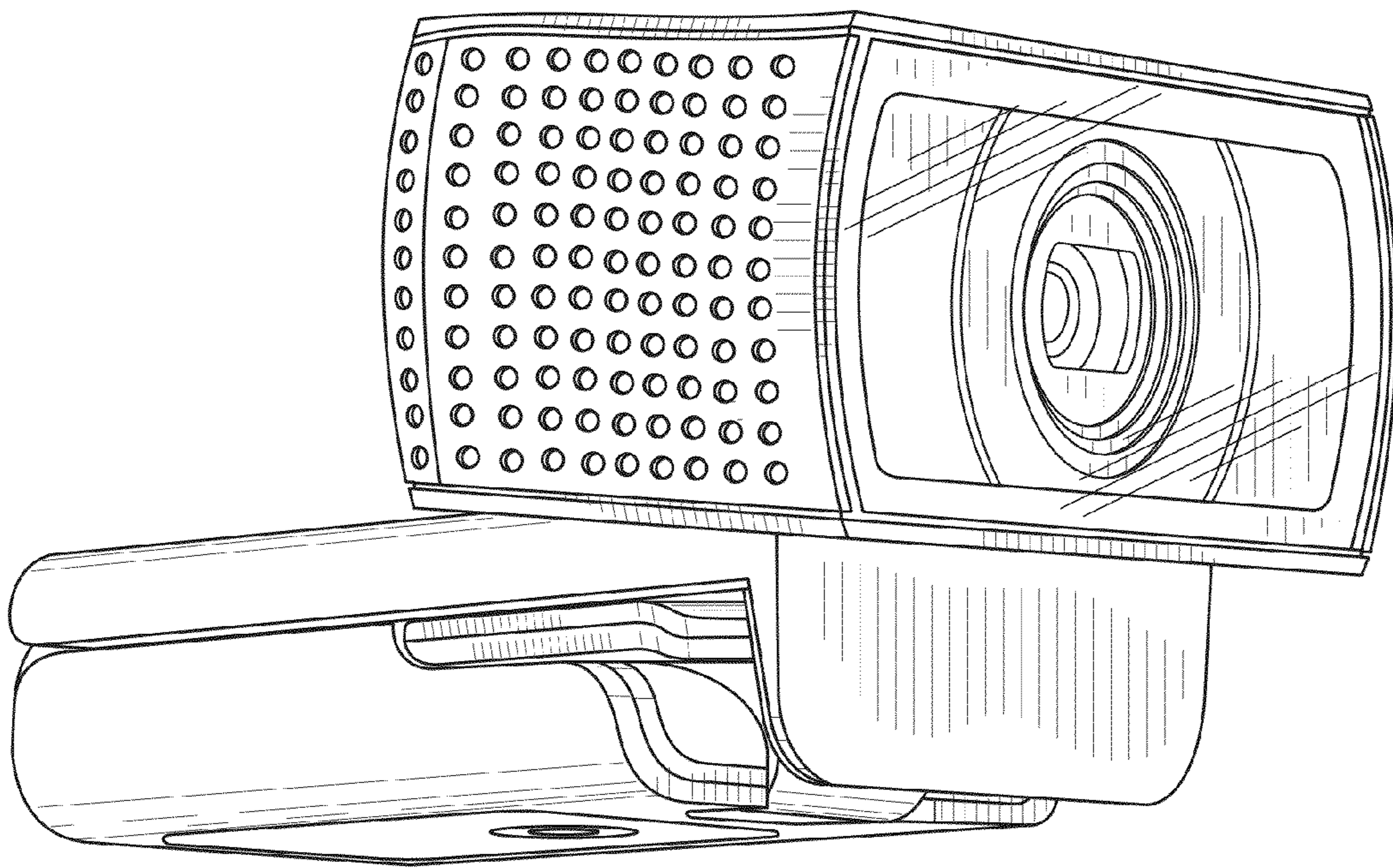


FIG. 1

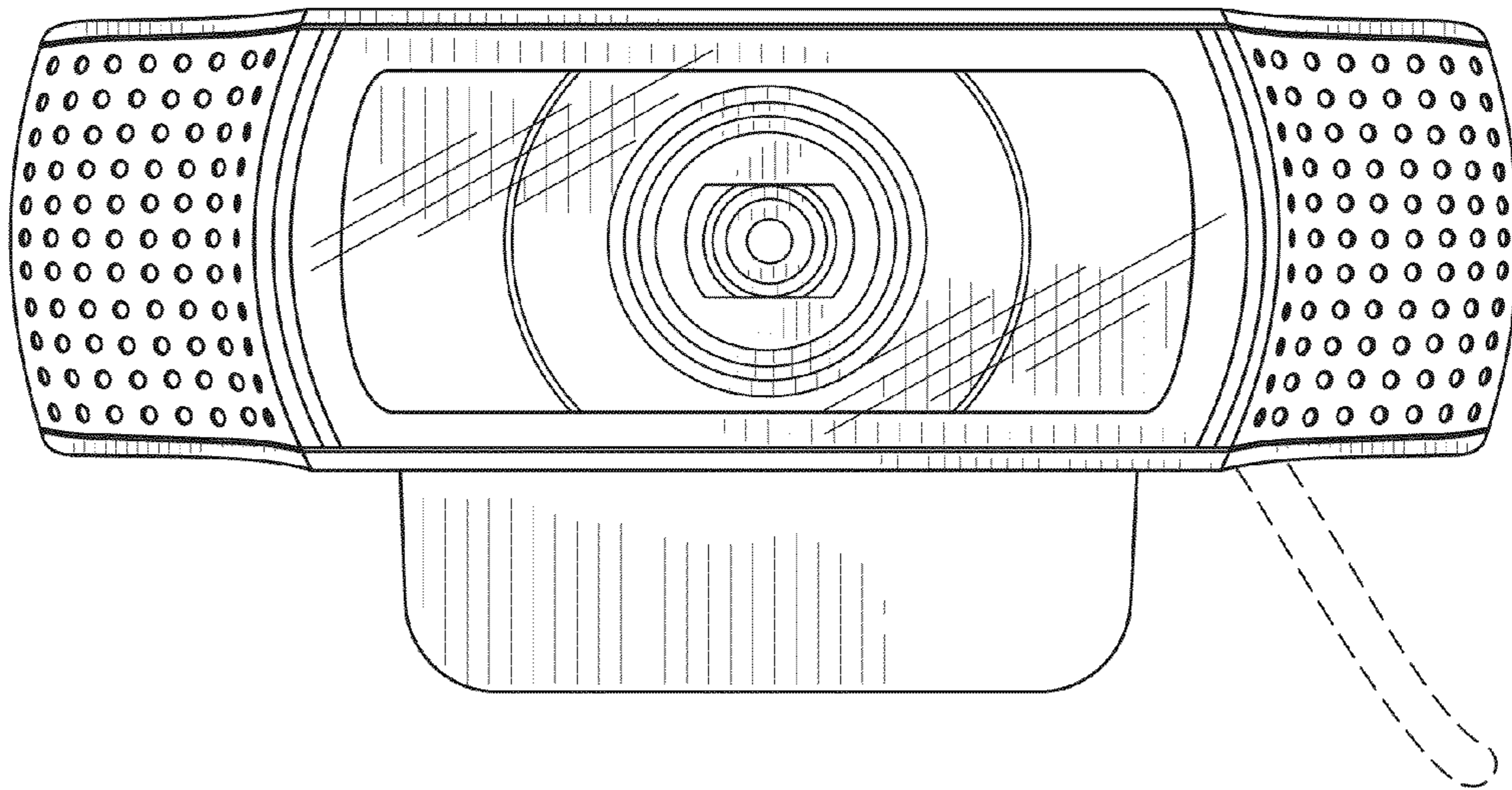


FIG. 2

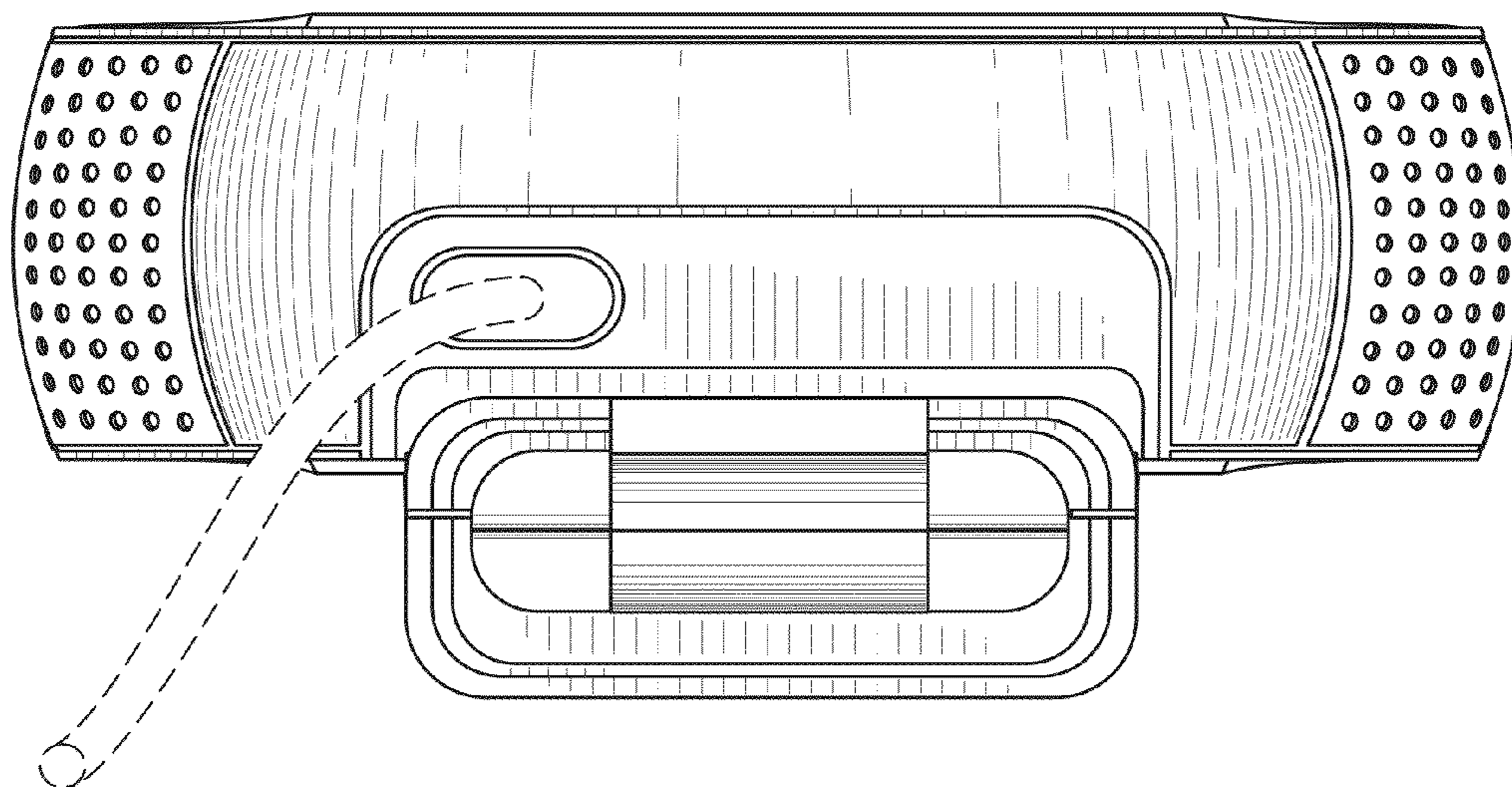


FIG. 3

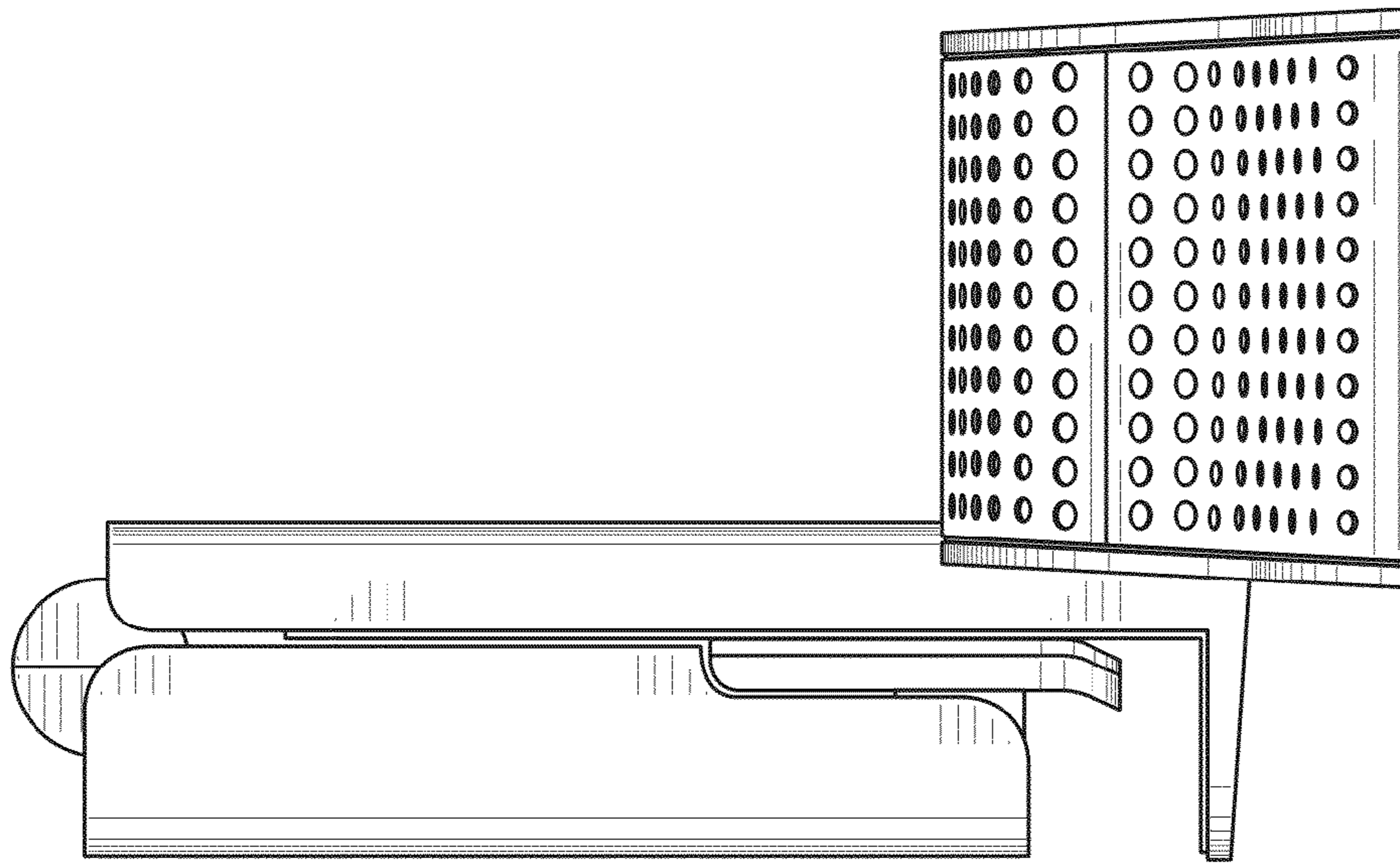


FIG. 4

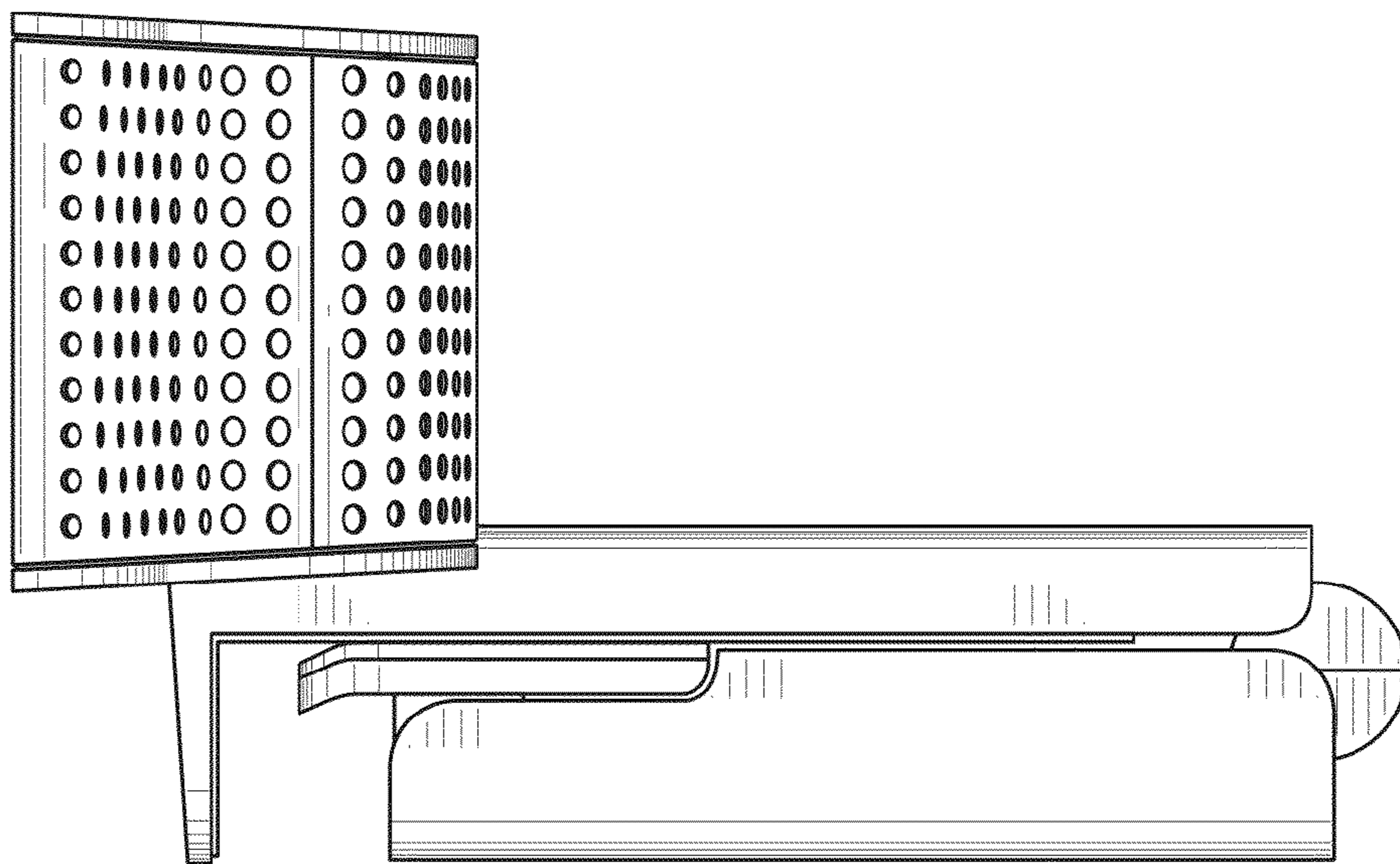


FIG. 5

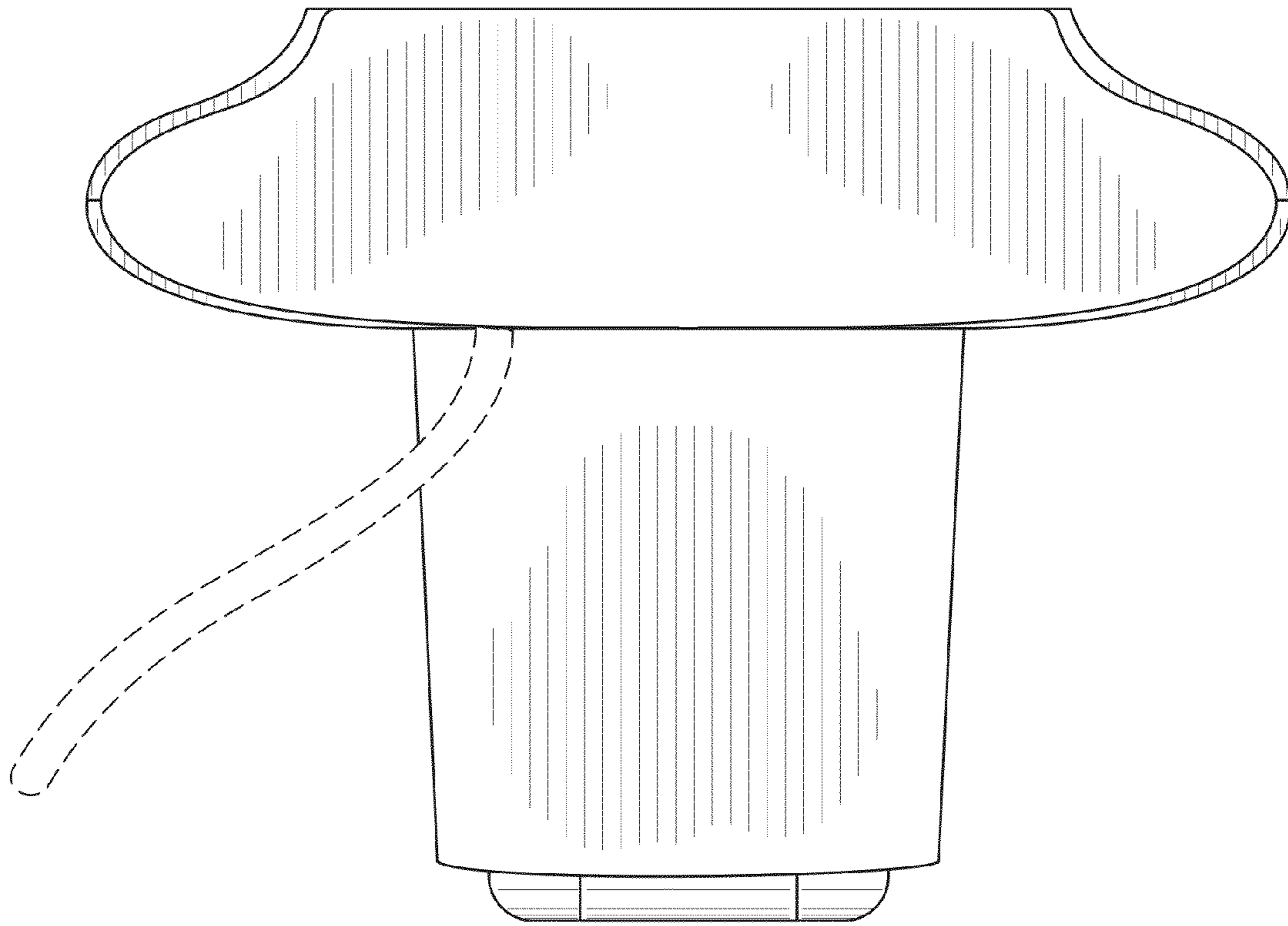


FIG. 6

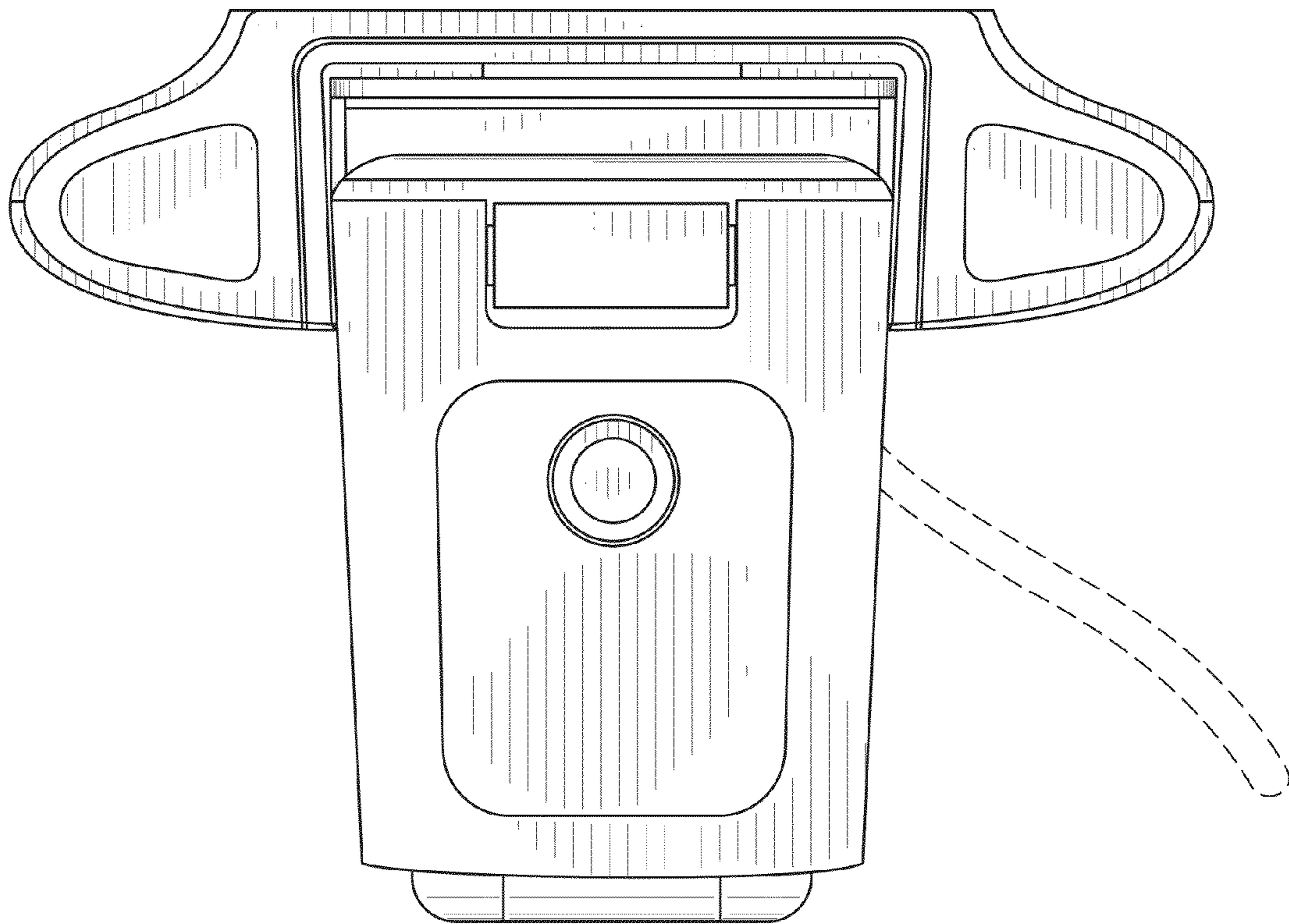


FIG. 7

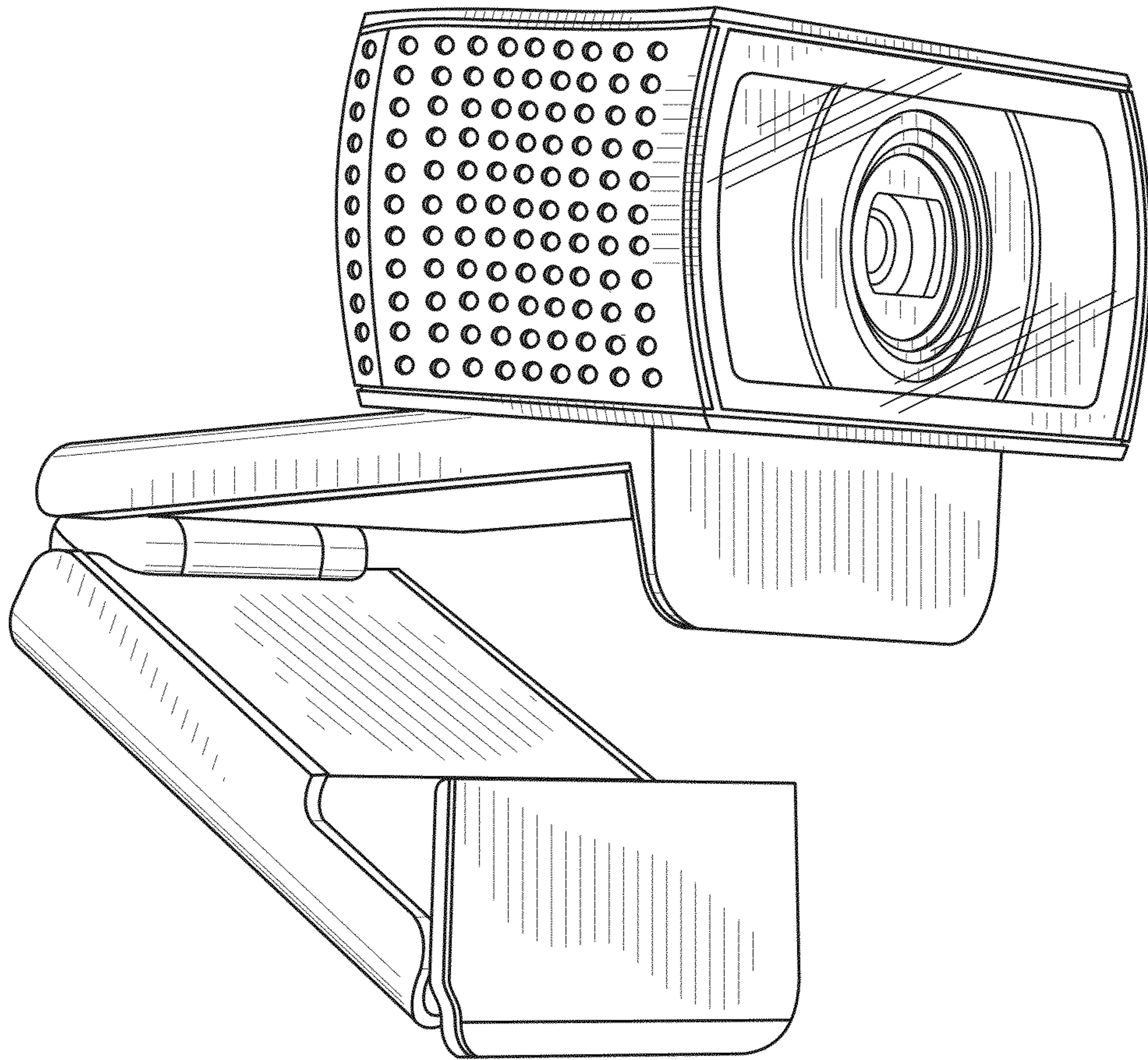


FIG. 8

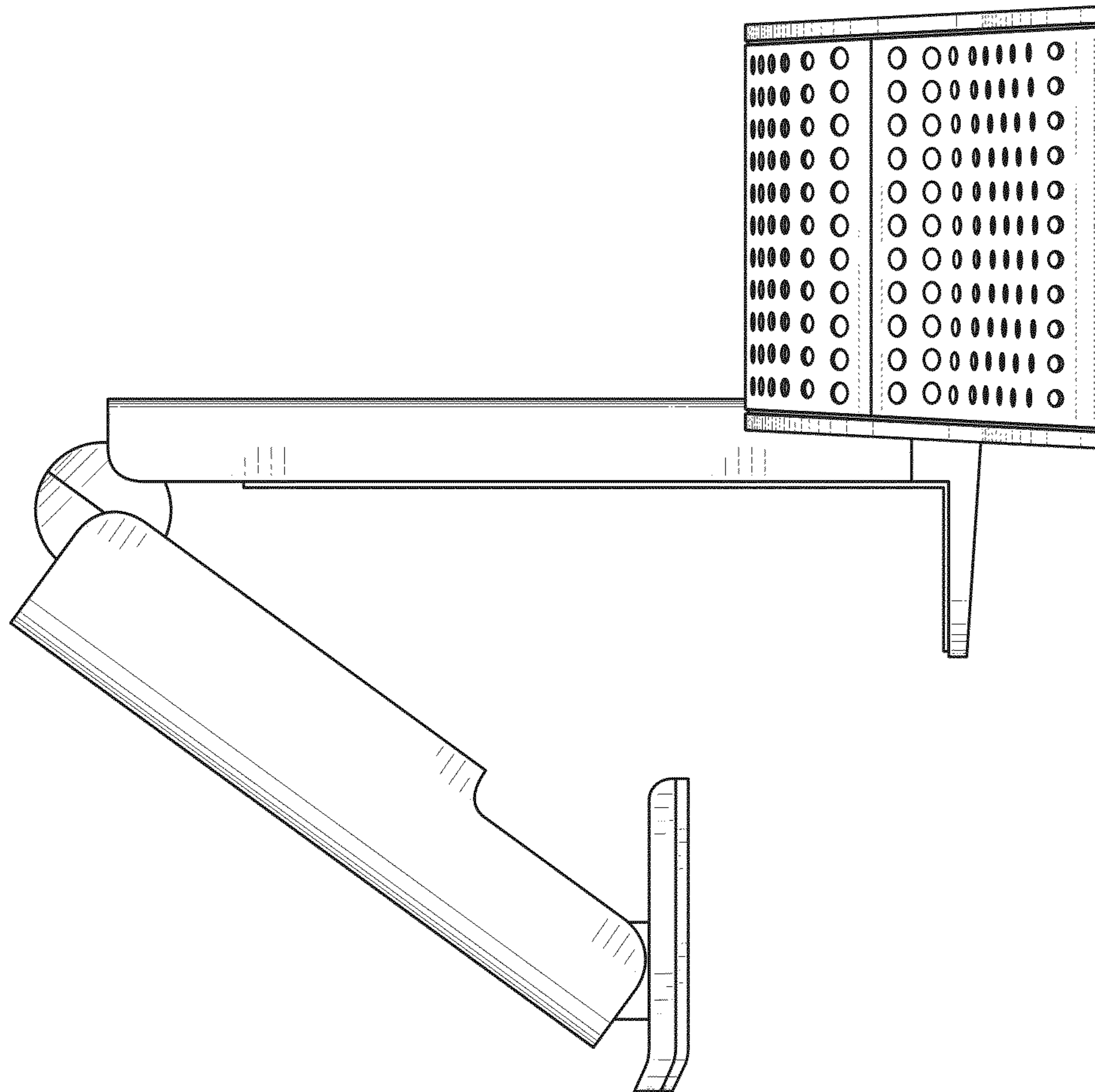


FIG. 9