



US00D682331S

(12) **United States Design Patent**  
**Tarozzi**

(10) **Patent No.:** **US D682,331 S**

(45) **Date of Patent:** **\*\* May 14, 2013**

(54) **TIRE FITTING MACHINE**

(75) Inventor: **Cristiano Tarozzi**, Rio Saliceto (IT)

(73) Assignee: **Butler Engineering and Marketing S.p.A.**, Rolo (Reggio Emilia) (IT)

(\*\*) Term: **14 Years**

(21) Appl. No.: **29/430,614**

(22) Filed: **Aug. 28, 2012**

(30) **Foreign Application Priority Data**

Feb. 28, 2012 (EM) ..... 001999525

(51) **LOC (9) Cl.** ..... **15-99**

(52) **U.S. Cl.**  
USPC ..... **D15/199**

(58) **Field of Classification Search** ..... D15/199;  
73/66, 460; 157/1, 1.1, 1.24, 1.17, 1.22,  
157/1.26, 1.28, 14, 16, 17, 19, 20, 21

See application file for complete search history.

(56) **References Cited**

U.S. PATENT DOCUMENTS

D213,914	S	*	4/1969	Simpkins	.....	D15/199
D244,600	S	*	6/1977	Cunningham et al.	.....	D15/199
4,173,245	A	*	11/1979	Schafer	.....	157/1.24
4,293,020	A	*	10/1981	Leeper et al.	.....	157/1.28
D269,879	S	*	7/1983	Holladay et al.	.....	D15/199
D293,916	S	*	1/1988	Cunningham et al.	.....	D15/199
4,742,859	A	*	5/1988	Mannen	.....	157/1
4,811,774	A	*	3/1989	Dale et al.	.....	157/1.1

5,060,708	A	*	10/1991	Hansen	.....	157/1.24
5,219,012	A	*	6/1993	Corgi	.....	157/19
6,044,888	A	*	4/2000	Cunningham et al.	.....	157/19
6,056,034	A	*	5/2000	Matnick	.....	157/1.24
7,438,109	B2	*	10/2008	Cunningham	.....	157/1.24
D598,939	S	*	8/2009	Ortega	.....	D15/199
7,882,882	B2	*	2/2011	Cunningham	.....	157/1.24
8,250,915	B1	*	8/2012	Voeller et al.	.....	73/460
D667,037	S	*	9/2012	Linson et al.	.....	D15/199
8,307,874	B1	*	11/2012	Hanneken et al.	.....	157/19
2002/0017368	A1	*	2/2002	Corgi	.....	157/1.24
2007/0158033	A1	*	7/2007	Cunningham	.....	157/1.17
2008/0128091	A1	*	6/2008	Nomura	.....	157/1.17
2009/0236046	A1	*	9/2009	Mimura	.....	157/1.1
2009/0236048	A1	*	9/2009	Mimura	.....	157/1.24

\* cited by examiner

*Primary Examiner* — Patricia Palasik

(74) *Attorney, Agent, or Firm* — Tutunjian & Bitetto, P.C.

(57) **CLAIM**

The ornamental design for a tire fitting machine, as shown and described.

**DESCRIPTION**

FIG. 1 is a front perspective view of the tire fitting machine; FIG. 2 is a front view of the tire fitting machine; FIG. 3 is a back view of the tire fitting machine; FIG. 4 is a side view of the tire fitting machine; FIG. 5 is a side view opposite that of FIG. 4 of the tire fitting machine; FIG. 6 is a top view of the tire fitting machine; and, FIG. 7 is a bottom view of the tire fitting machine.

**1 Claim, 7 Drawing Sheets**

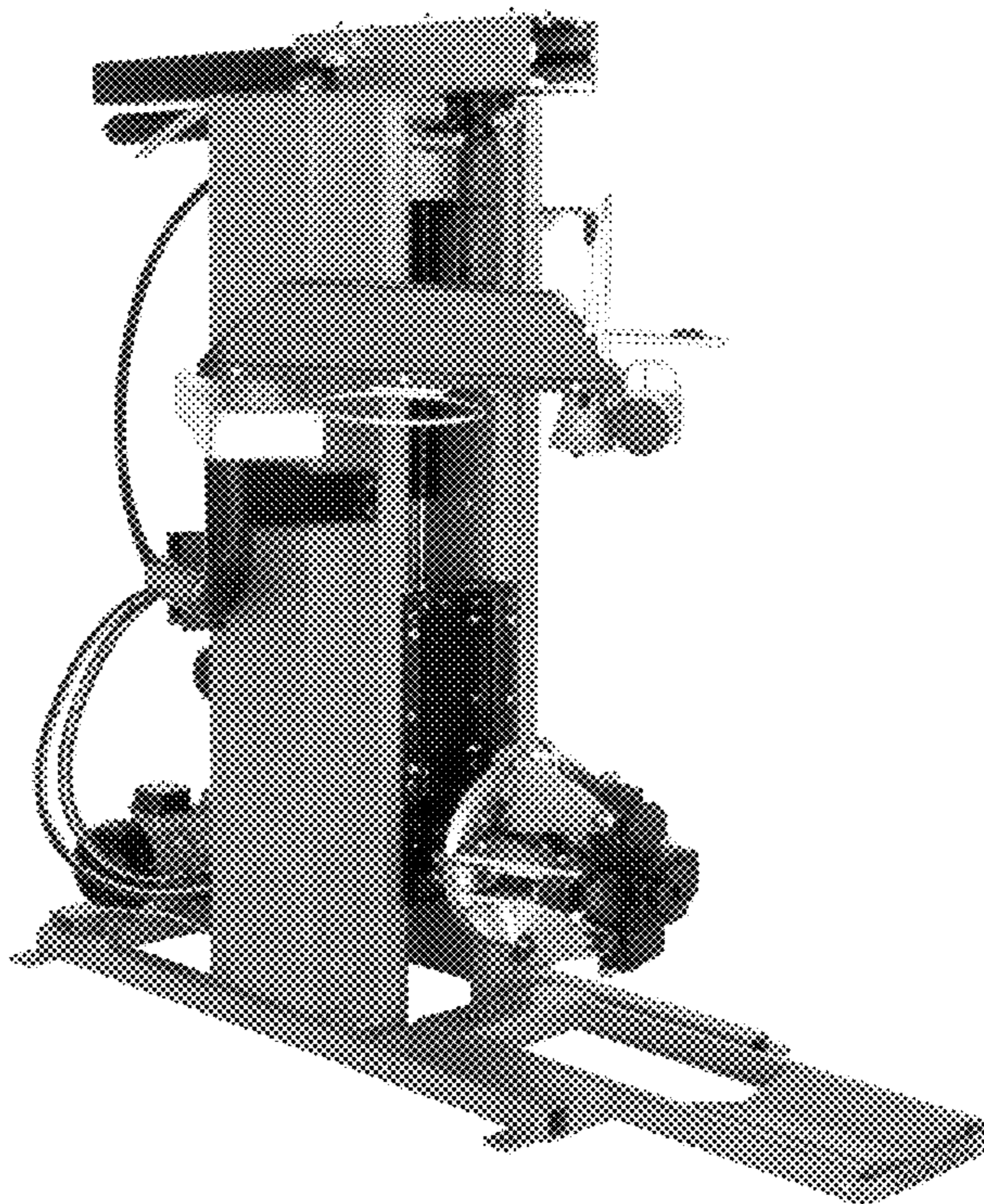
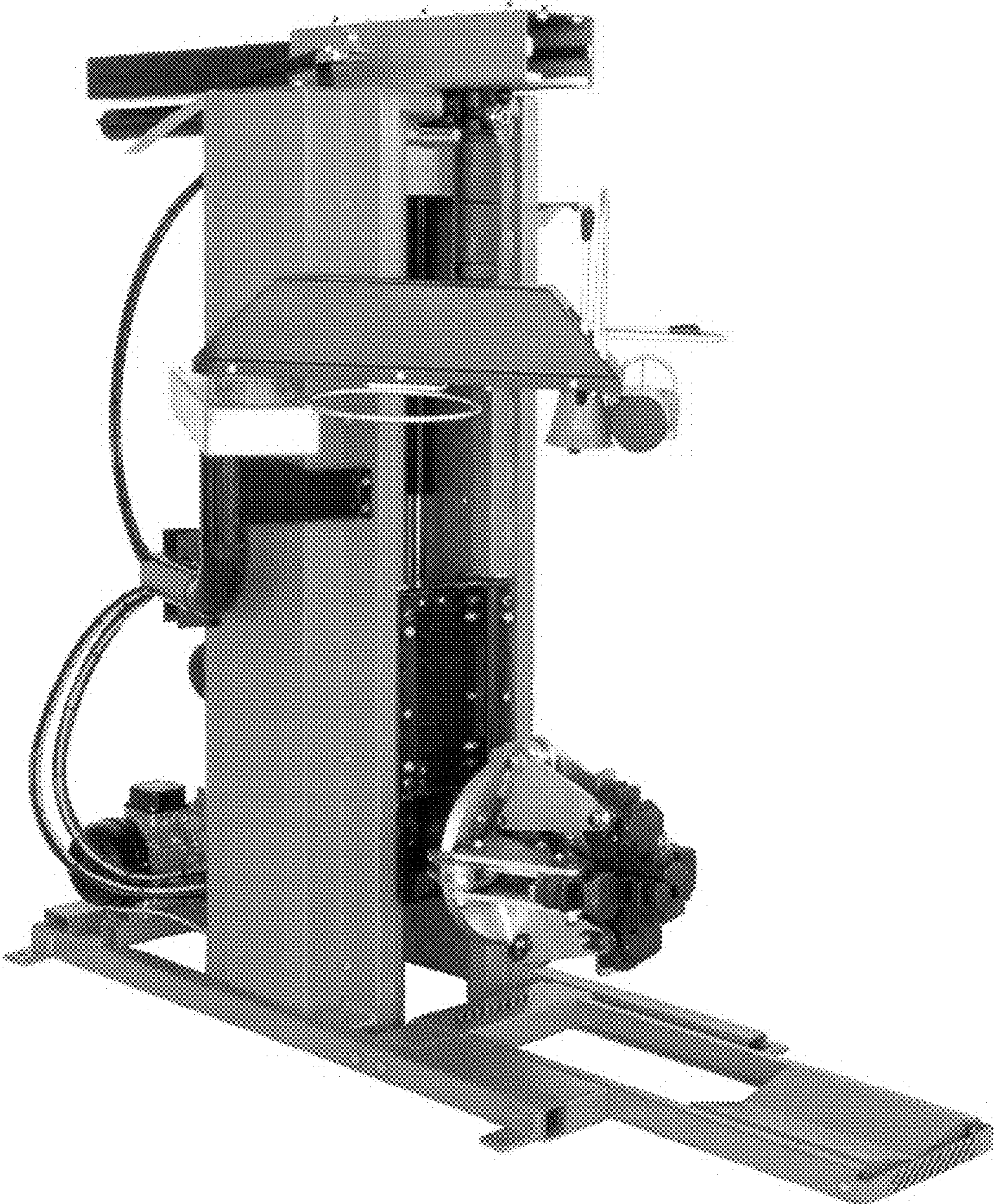
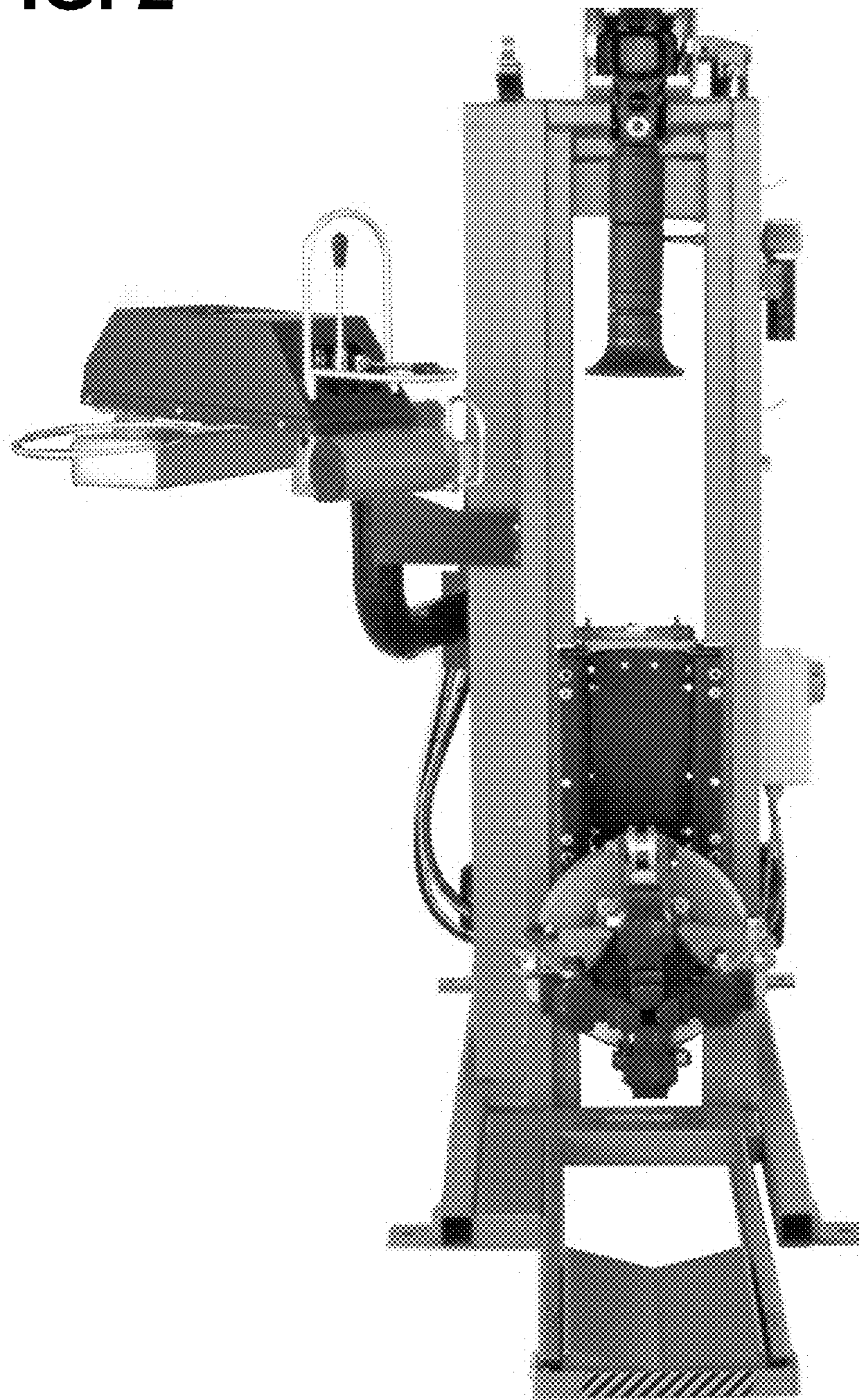


FIG. 1



**FIG. 2**



**FIG. 3**

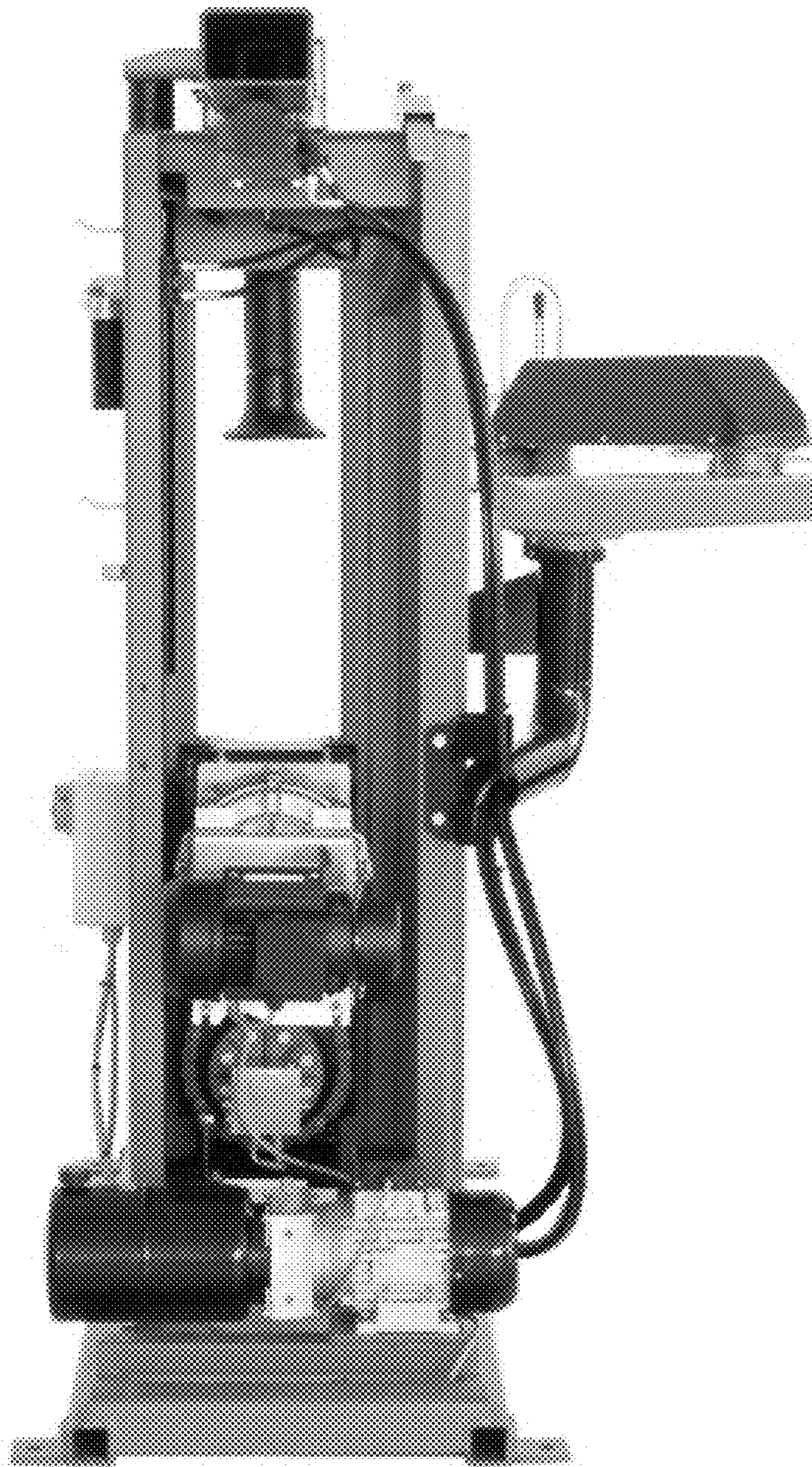
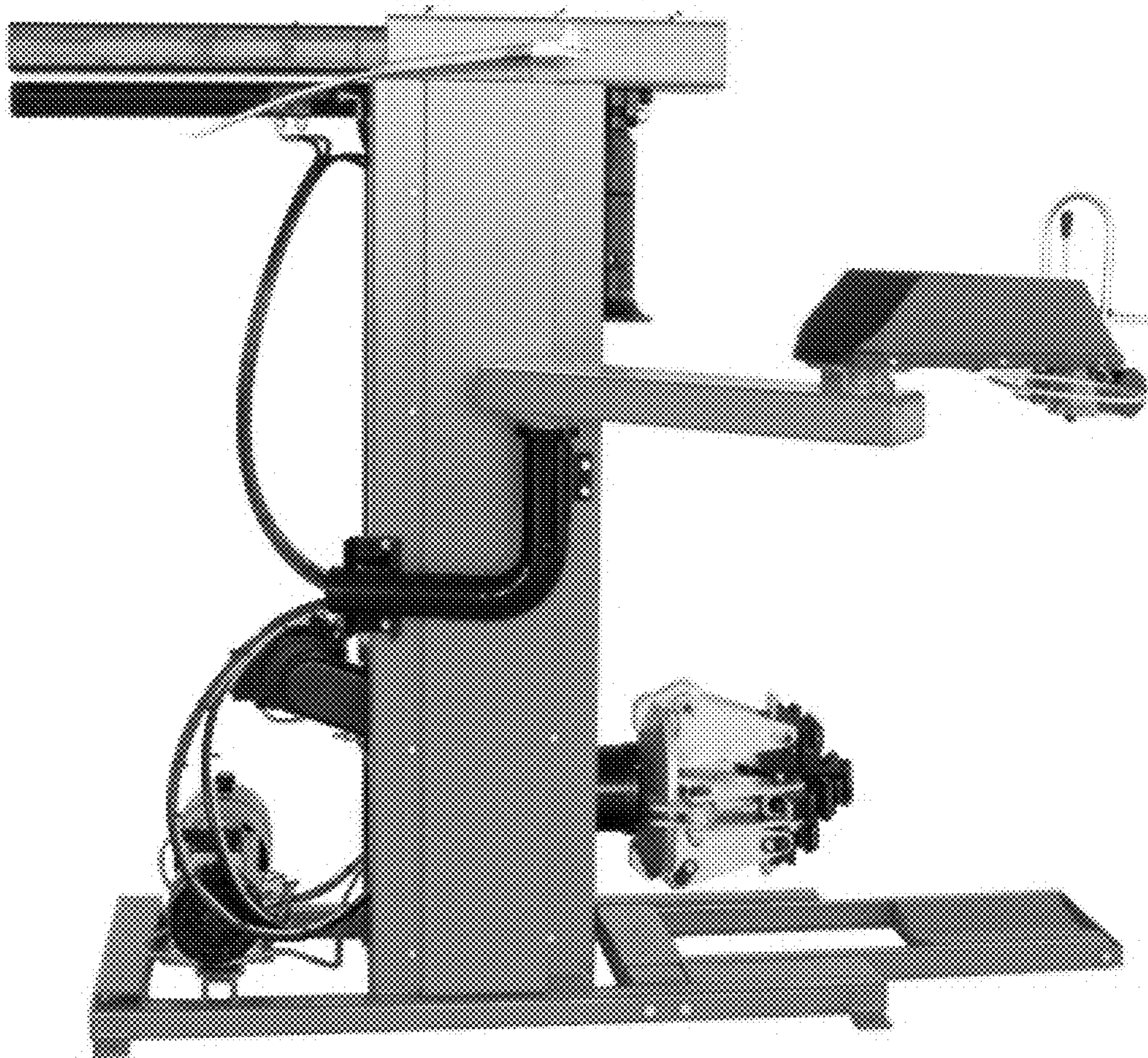
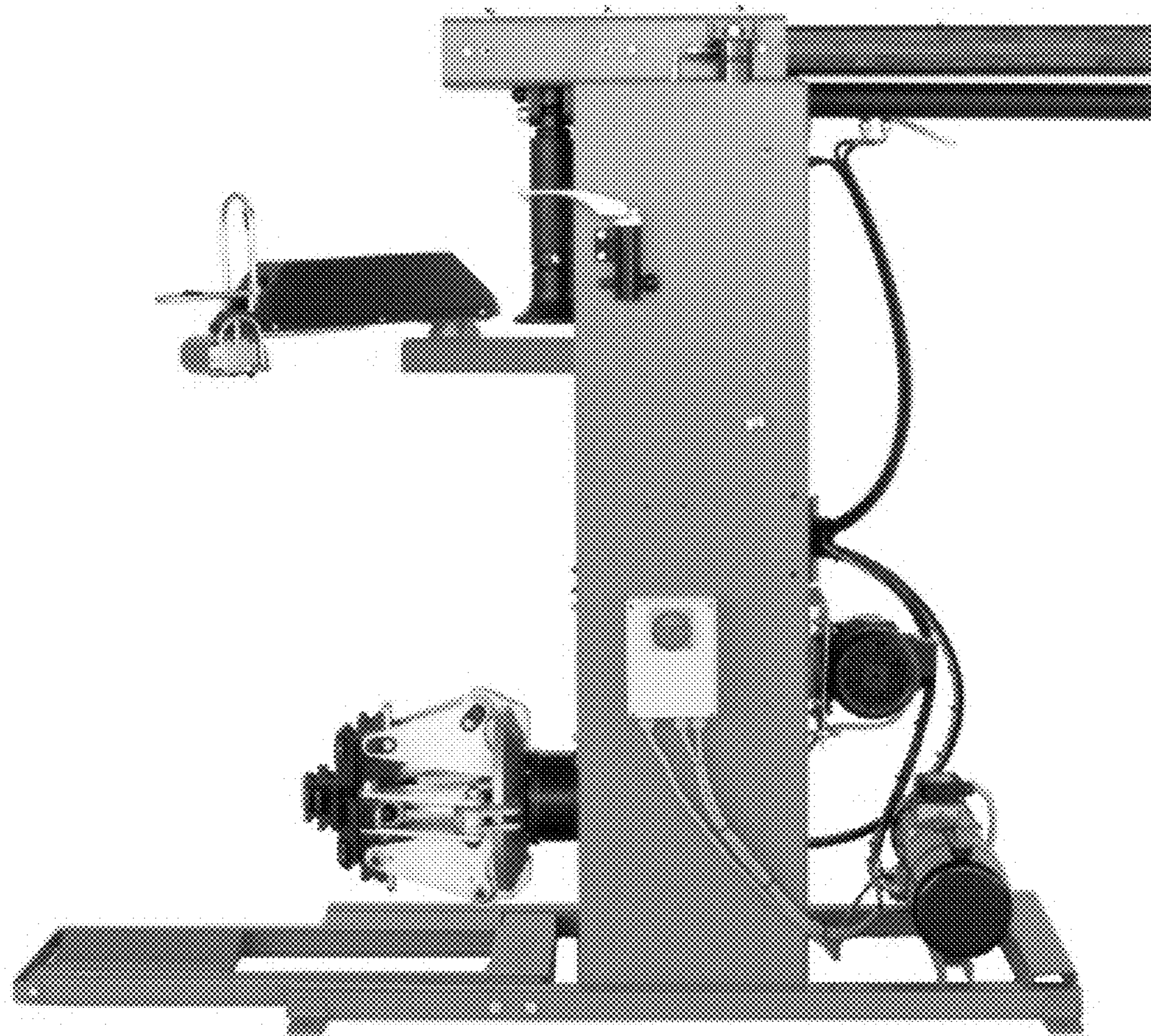


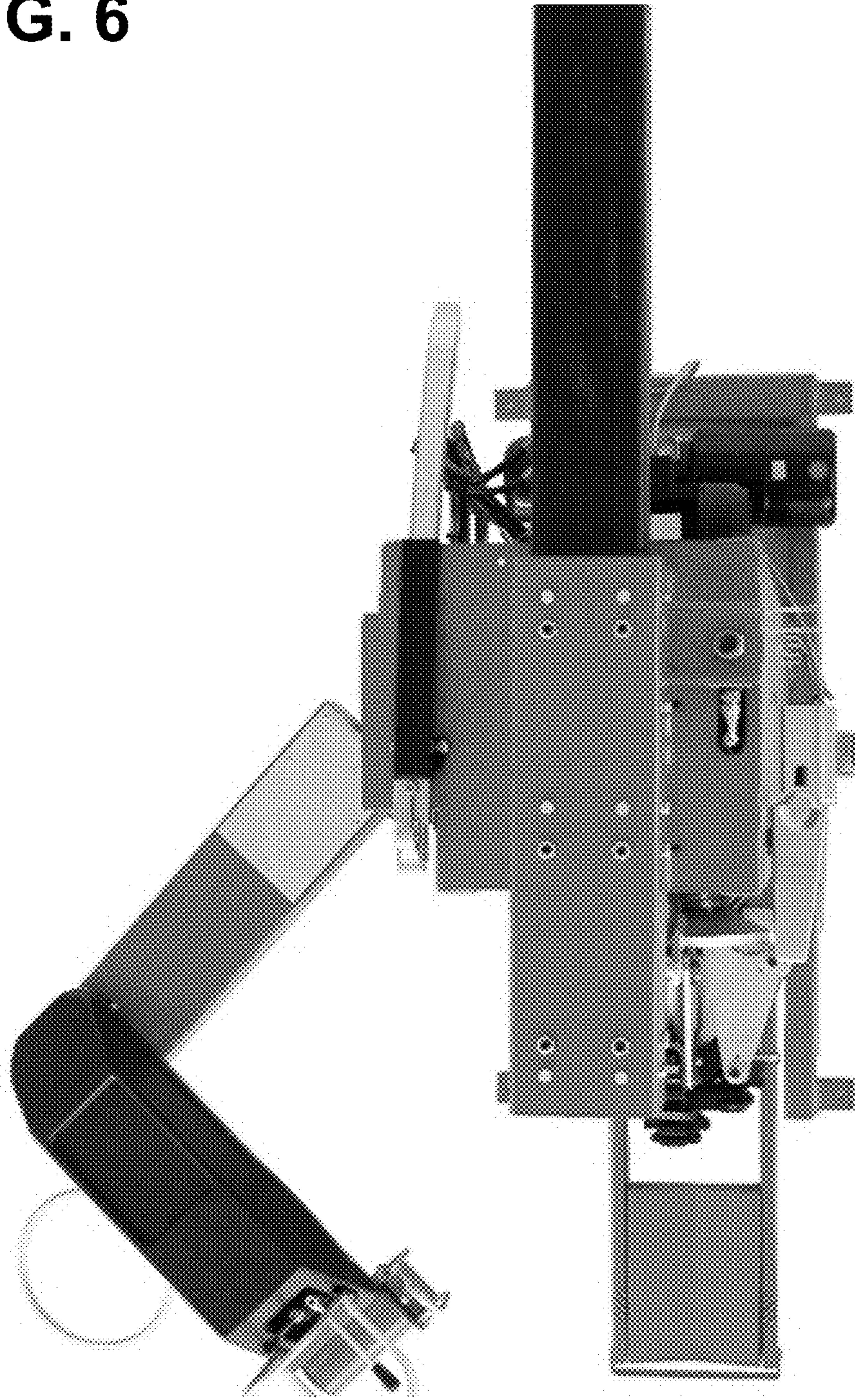
FIG. 4



**FIG. 5**



**FIG. 6**



**FIG. 7**

