



US00D682329S

(12) **United States Design Patent**
Day et al.

(10) **Patent No.:** **US D682,329 S**
(45) **Date of Patent:** **** May 14, 2013**

- (54) **VACUUM SEALING APPLIANCE**
- (71) Applicant: **Sunbeam Products, Inc.**, Boca Raton, FL (US)
- (72) Inventors: **Adam Day**, Boynton Beach, FL (US);
Jamal F. Hammad, Boynton Beach, FL (US)
- (73) Assignee: **Sunbeam Products, Inc.**, Boca Raton, FL (US)
- (**) Term: **14 Years**
- (21) Appl. No.: **29/441,338**
- (22) Filed: **Jan. 3, 2013**
- (51) **LOC (9) Cl.** **15-99**
- (52) **U.S. Cl.**
USPC **D15/146**
- (58) **Field of Classification Search** D15/145,
D15/146; D18/50, 51, 53, 54; 53/373, 374.8,
53/374.9, 389.2, 389.3, 390, 405, 432-434,
53/510-512; 101/9; 156/497, 515, 583.1-583.91;
219/143, 227, 229, 230, 233, 240, 243, 256
See application file for complete search history.

- D342,532 S * 12/1993 Deni D15/146
- D350,364 S * 9/1994 Kawashima et al. D18/50
- D358,827 S * 5/1995 Fung D15/146
- D441,775 S * 5/2001 Cheng D15/146
- D483,059 S * 12/2003 Goh et al. D18/50
- D506,214 S * 6/2005 Zepter D15/146
- D633,118 S * 2/2011 Beatty et al. D15/146
- D650,387 S * 12/2011 Iwatsu et al. D14/422
- D658,694 S * 5/2012 Day et al. D15/146
- D663,331 S * 7/2012 Day et al. D15/146
- D669,081 S * 10/2012 Iwai et al. D14/422
- 2005/0022480 A1* 2/2005 Brakes 53/512

* cited by examiner

Primary Examiner — Patricia Palasik
(74) *Attorney, Agent, or Firm* — Michael J. Corrigan

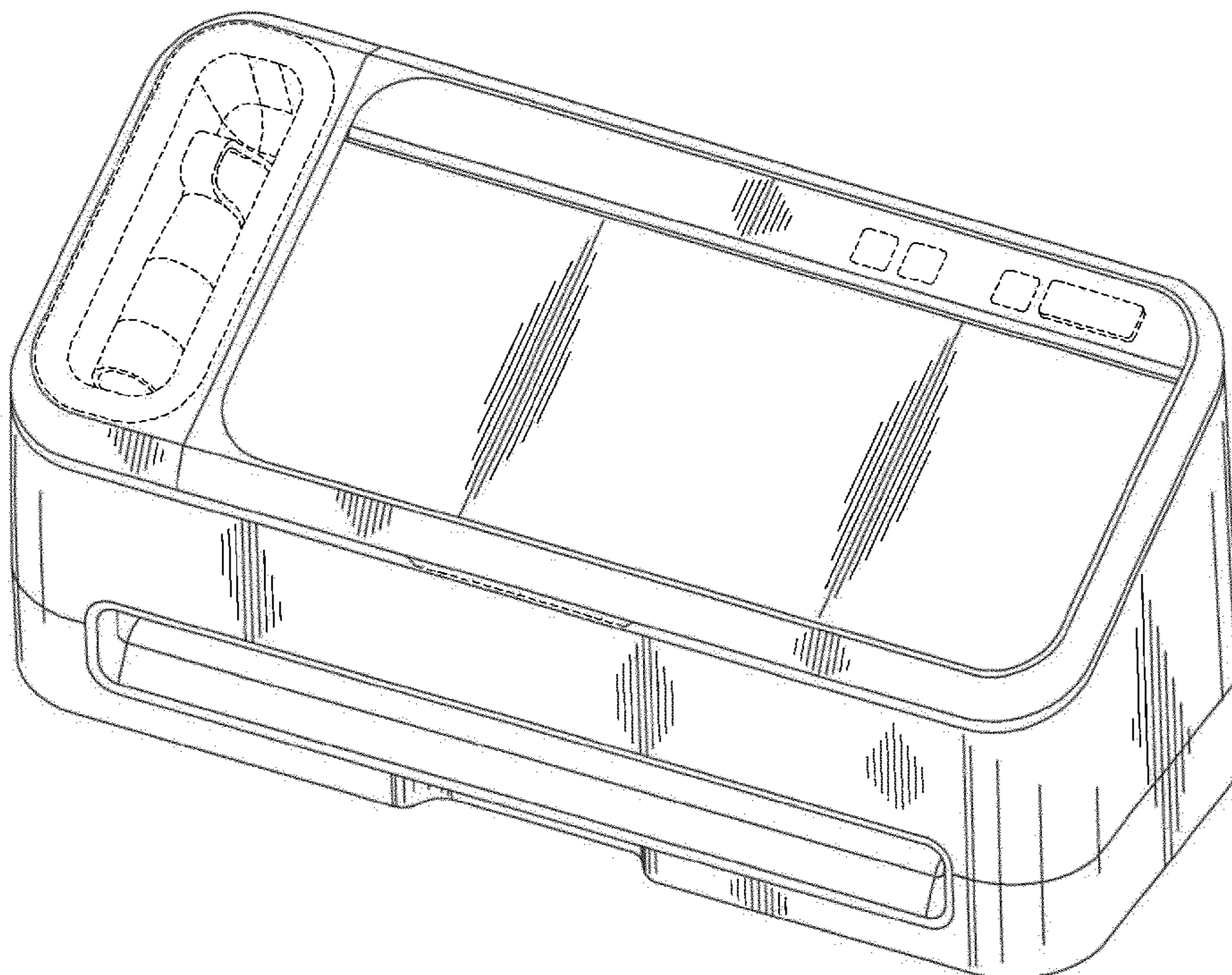
(57) **CLAIM**
The ornamental design for a vacuum sealing appliance, as shown and described.

DESCRIPTION

FIG. 1 is a front perspective view of the vacuum sealing appliance;
FIG. 2 is a front view thereof;
FIG. 3 is a right side view thereof;
FIG. 4 is rear view thereof;
FIG. 5 is a left side view thereof;
FIG. 6 is a top view thereof; and,
FIG. 7 is a bottom view thereof.
The portion shown in dashed lines is shown for illustrative purposes only and forms no part of the claimed design.

1 Claim, 7 Drawing Sheets

- (56) **References Cited**
U.S. PATENT DOCUMENTS
D301,238 S * 5/1989 Makihara D15/146
5,232,538 A * 8/1993 Liu 156/359



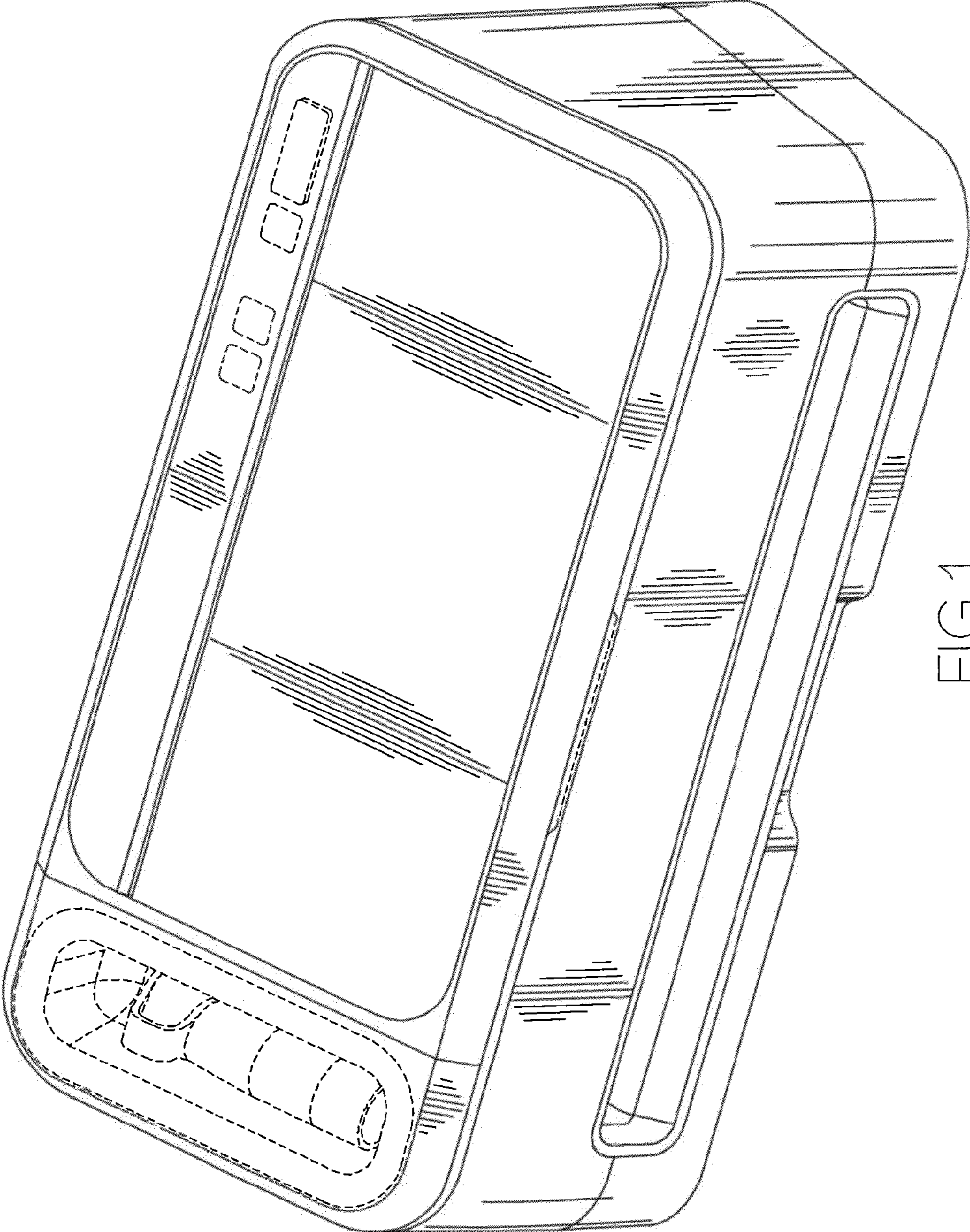


FIG 1

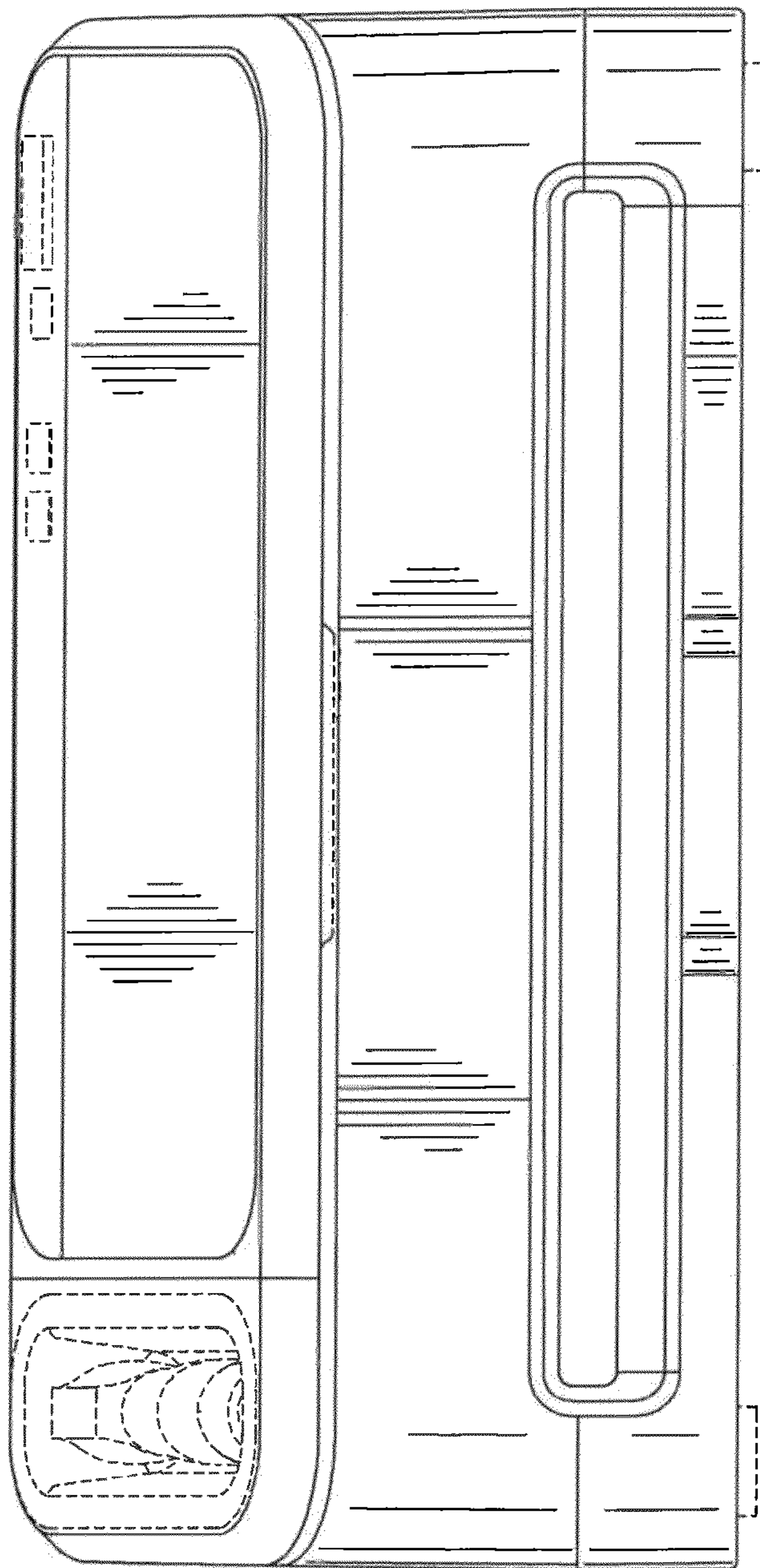


FIG 2

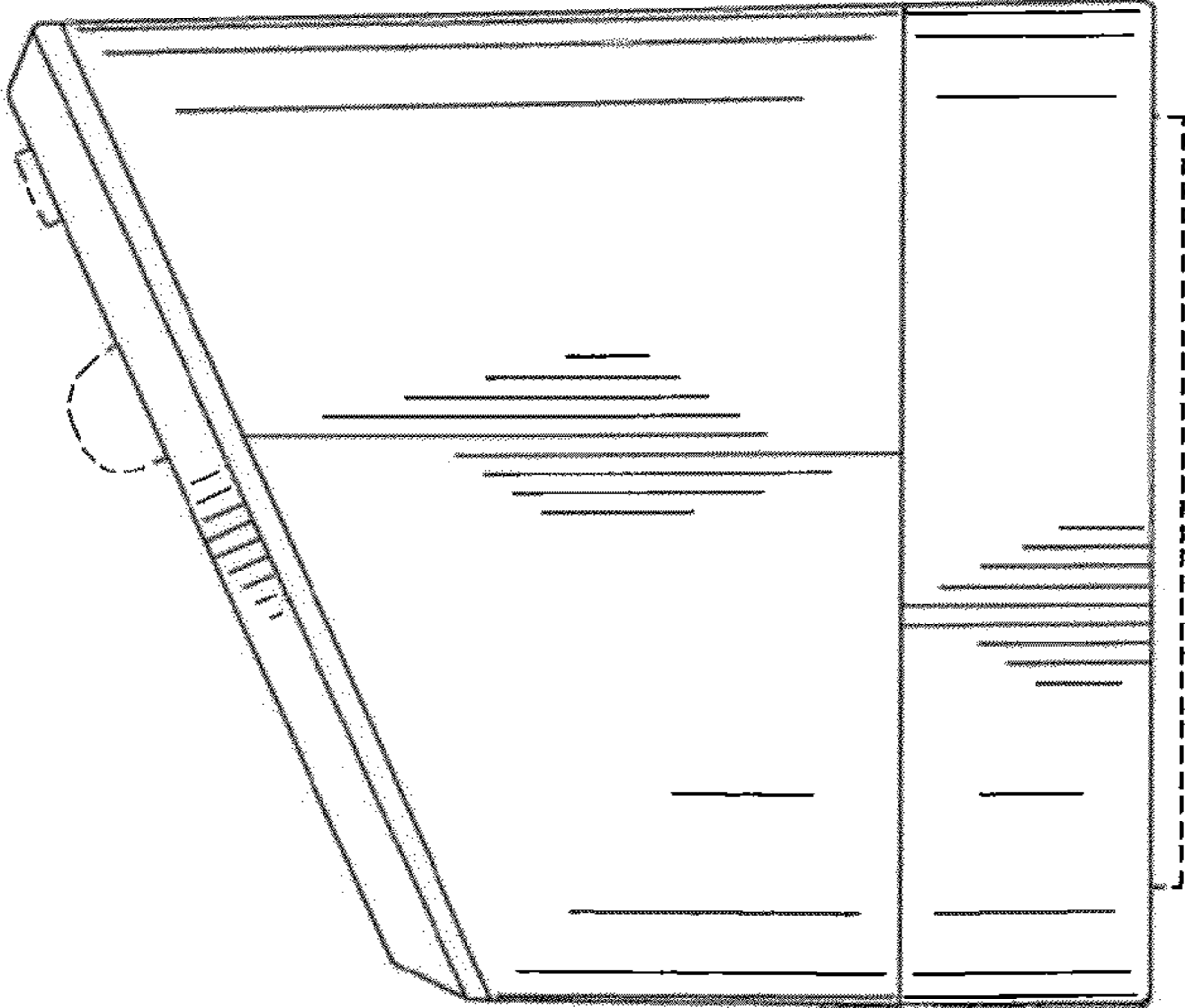


FIG 3

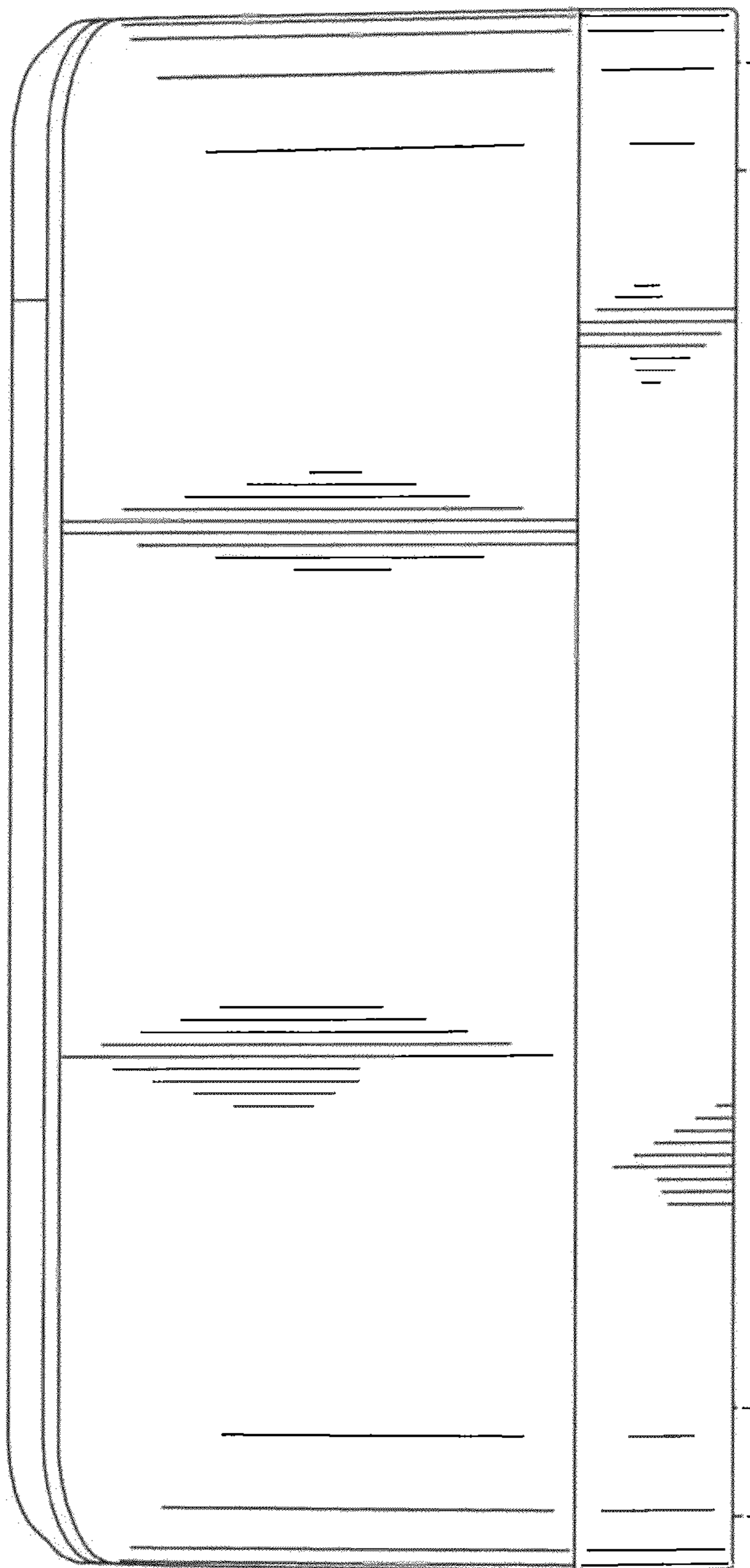


FIG 4

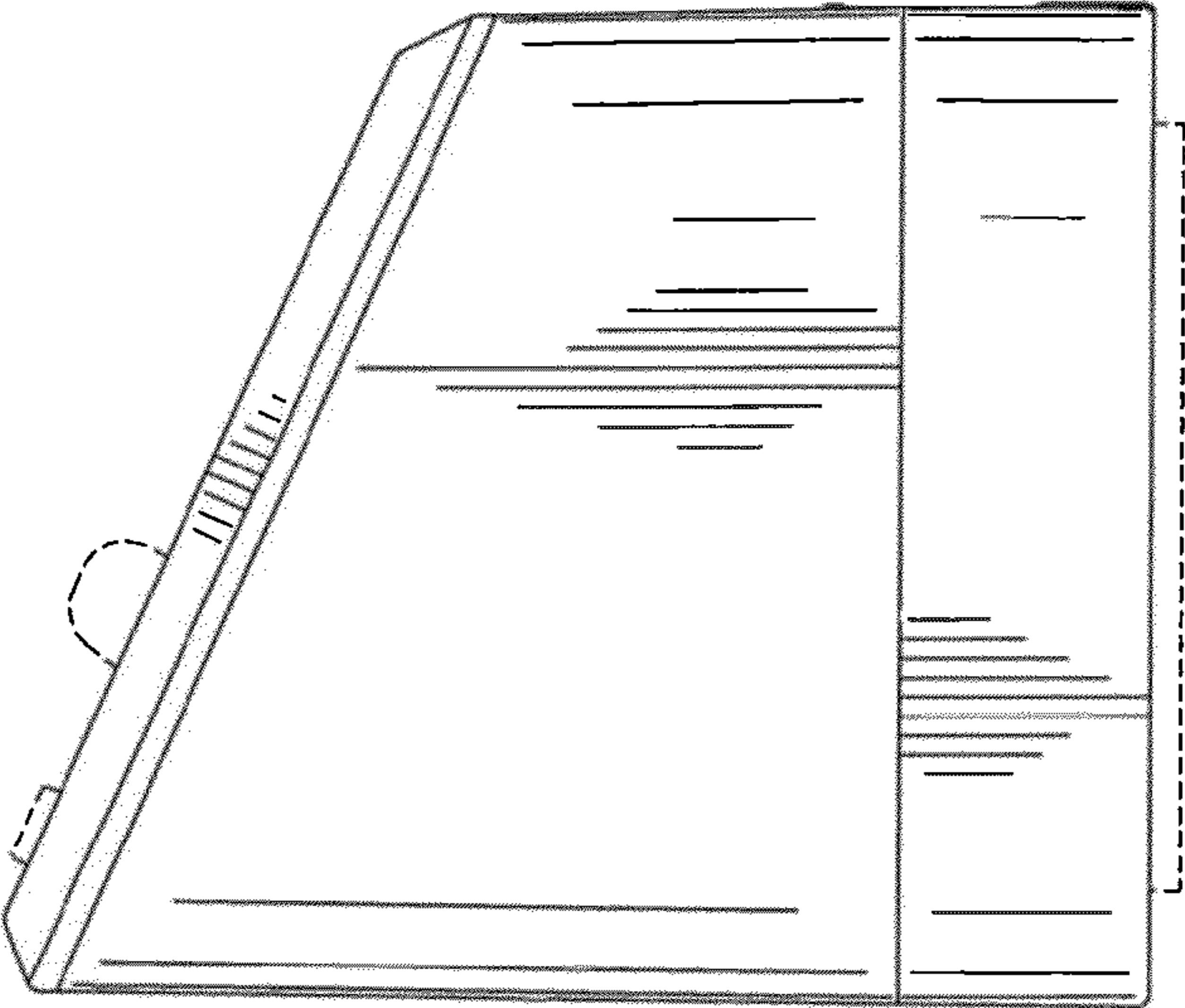


FIG 5

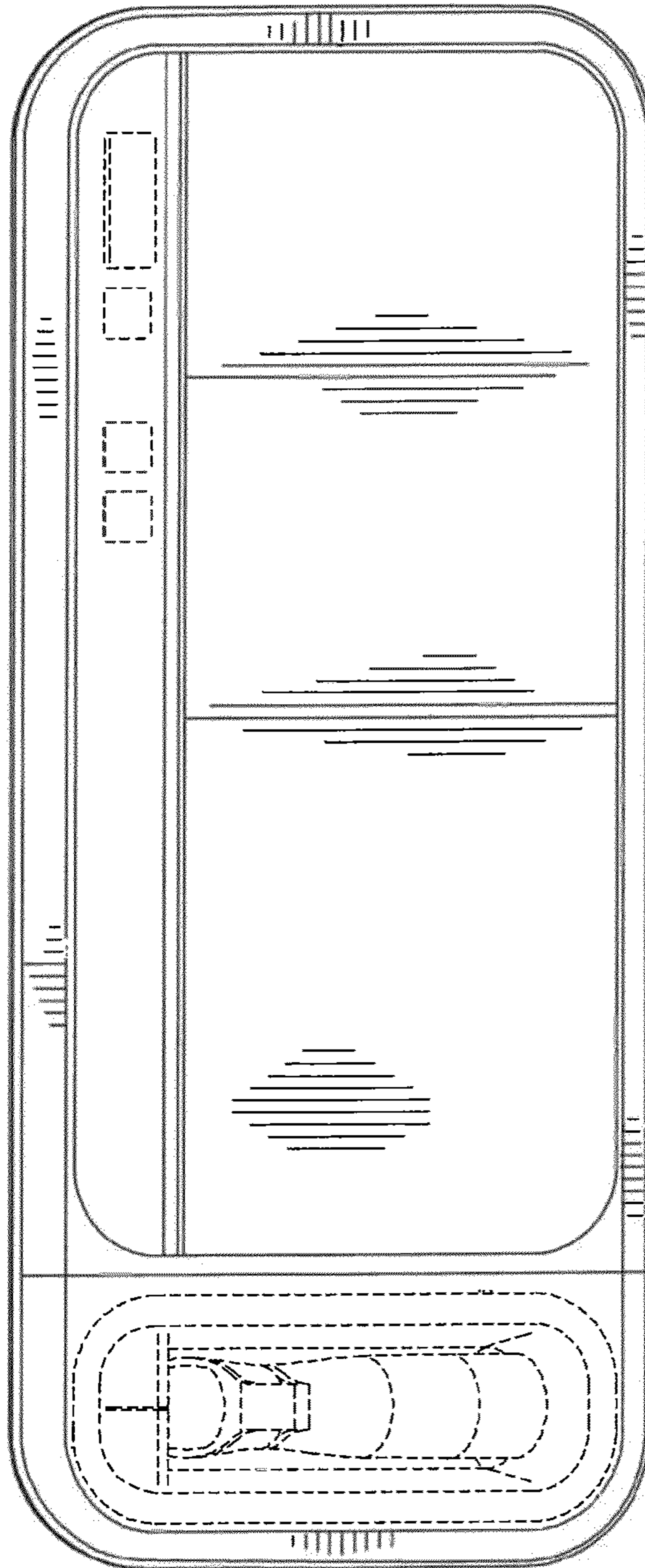


FIG 6

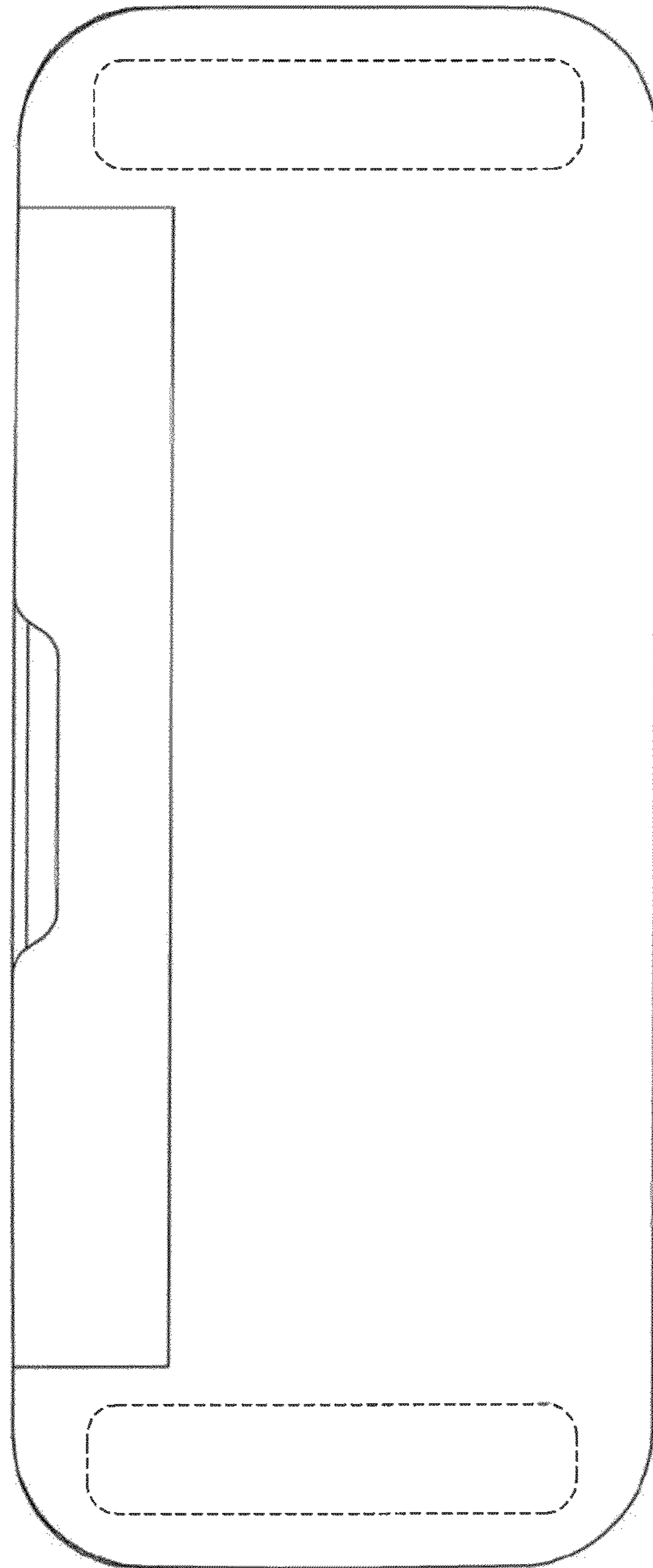


FIG 7