



US00D682328S

(12) **United States Design Patent**  
**Day et al.**

(10) **Patent No.:** **US D682,328 S**  
(45) **Date of Patent:** **\*\* May 14, 2013**

- (54) **VACUUM SEALING APPLIANCE**
- (71) Applicant: **Sunbeam Products, Inc.**, Boca Raton, FL (US)
- (72) Inventors: **Adam Day**, Boca Raton, FL (US);  
**Jamal F. Hammad**, Boynton Beach, FL (US)
- (73) Assignee: **Sunbeam Products, Inc.**, Boca Raton, FL (US)
- (\*\*) Term: **14 Years**
- (21) Appl. No.: **29/441,286**
- (22) Filed: **Jan. 3, 2013**
- (51) **LOC (9) Cl.** ..... **15-99**
- (52) **U.S. Cl.**  
USPC ..... **D15/146**
- (58) **Field of Classification Search** ..... D15/145,  
D15/146; D18/50, 51, 53, 54; 53/373, 374.8,  
53/374.9, 389.2, 389.3, 390, 405, 432-434,  
53/510-512; 101/9; 156/497, 515, 583.1-583.91;  
219/143, 227, 229, 230, 233, 240, 243, 256  
See application file for complete search history.

- D342,532 S \* 12/1993 Deni ..... D15/146
- D350,364 S \* 9/1994 Kawashima et al. .... D18/50
- D358,827 S \* 5/1995 Fung ..... D15/146
- D441,775 S \* 5/2001 Cheng ..... D15/146
- D483,059 S \* 12/2003 Goh et al. .... D18/50
- D506,214 S \* 6/2005 Zepter ..... D15/146
- D633,118 S \* 2/2011 Beatty et al. .... D15/146
- D650,387 S \* 12/2011 Iwatsu et al. .... D14/422
- D658,694 S \* 5/2012 Day et al. .... D15/146
- D663,331 S \* 7/2012 Day et al. .... D15/146
- D669,081 S \* 10/2012 Iwai et al. .... D14/422
- 2005/0022480 A1 \* 2/2005 Brakes ..... 53/512

\* cited by examiner

*Primary Examiner* — Patricia Palasik

(74) *Attorney, Agent, or Firm* — Michael J. Corrigan

(57) **CLAIM**

The ornamental design for a vacuum sealing appliance, as shown and described.

**DESCRIPTION**

FIG. 1 is a front perspective view of the vacuum sealing appliance;  
 FIG. 2 is a front view thereof;  
 FIG. 3 is a right side view thereof;  
 FIG. 4 is rear view thereof;  
 FIG. 5 is a left side view thereof;  
 FIG. 6 is a top view thereof; and,  
 FIG. 7 is a bottom view thereof.

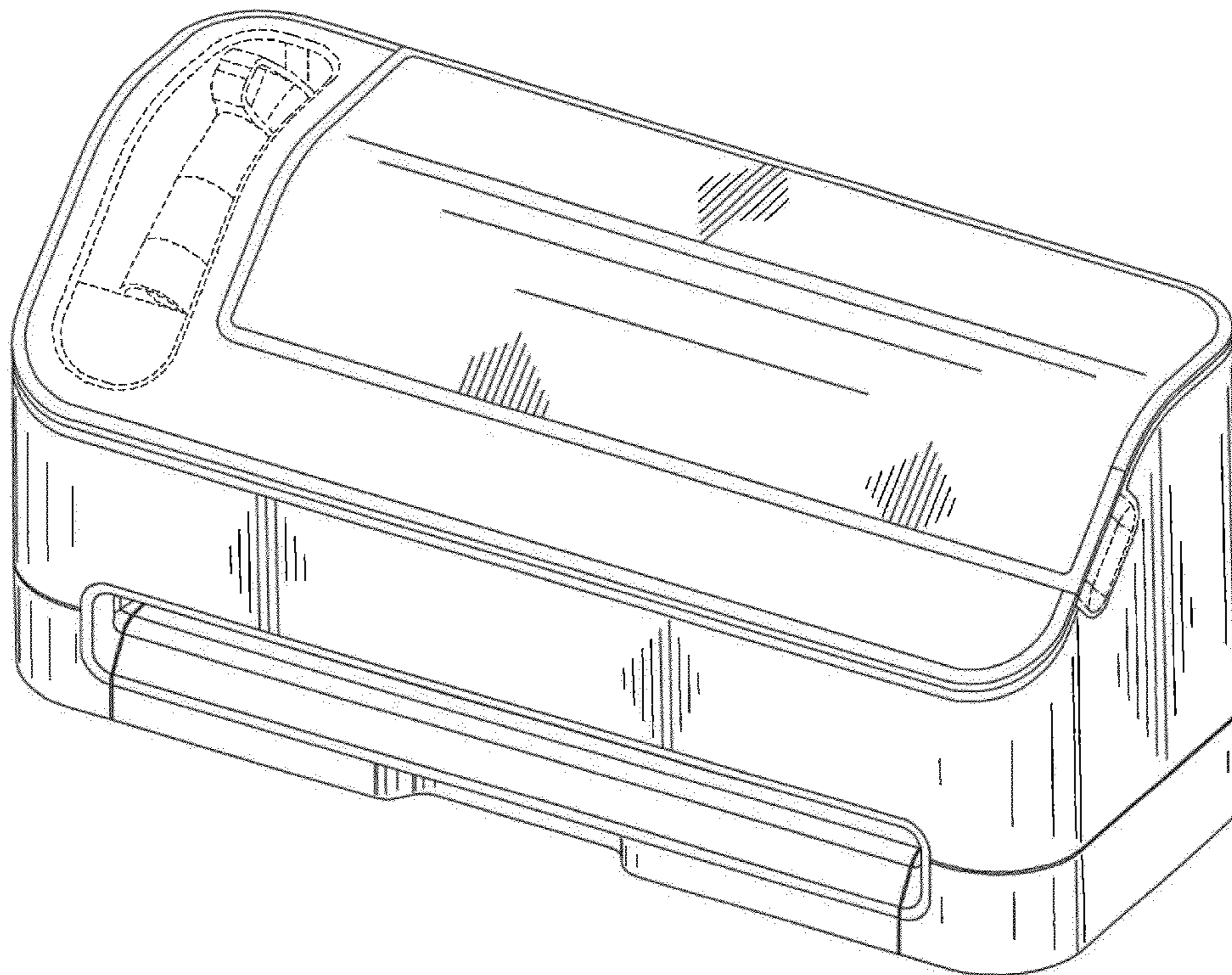
The portion shown in dashed lines is shown for illustrative purposes only and forms no part of the claimed design.

(56) **References Cited**

**U.S. PATENT DOCUMENTS**

- D301,238 S \* 5/1989 Makihara ..... D15/146
- 5,232,538 A \* 8/1993 Liu ..... 156/359

**1 Claim, 7 Drawing Sheets**





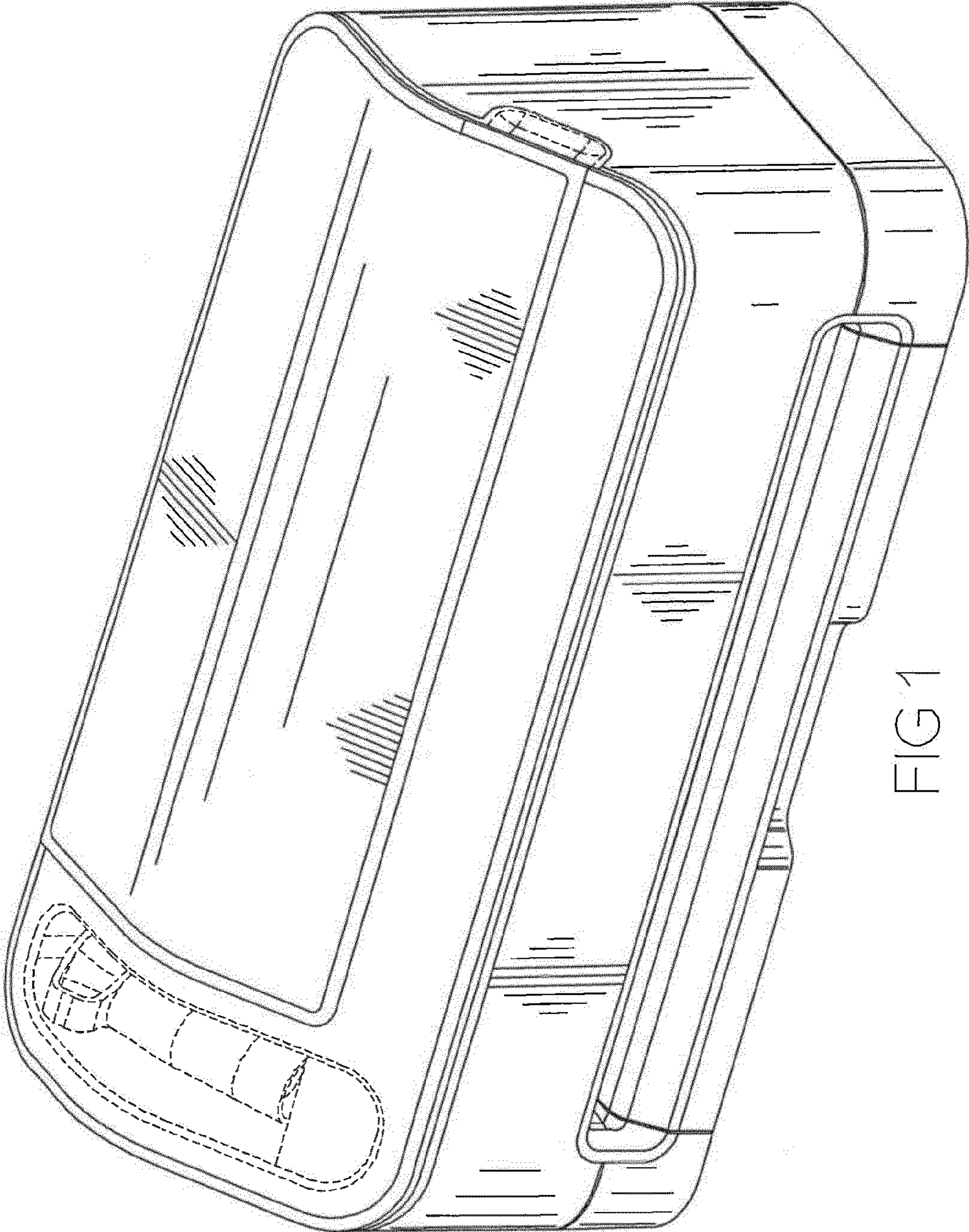


FIG 1



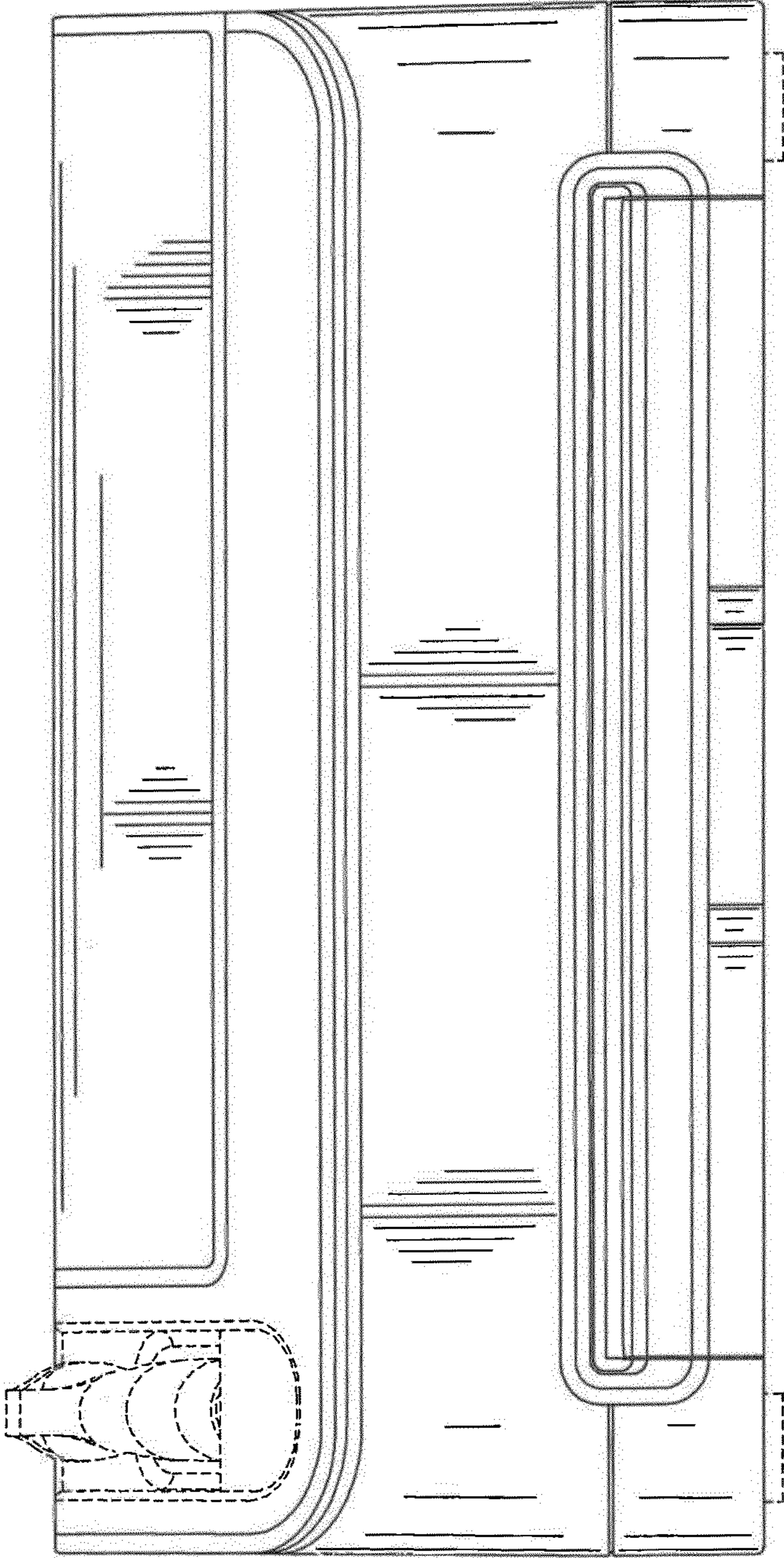


FIG 2

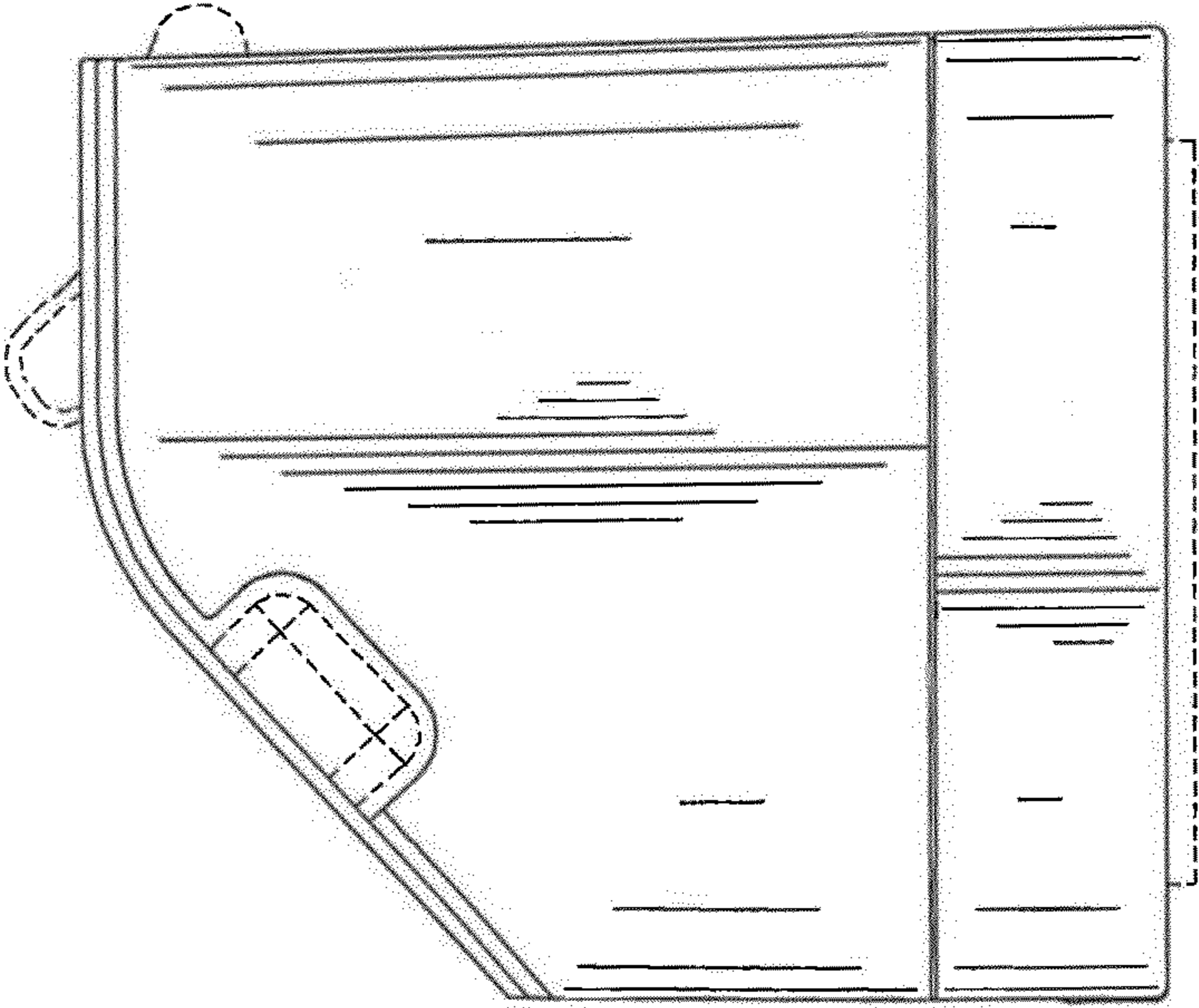


FIG 3



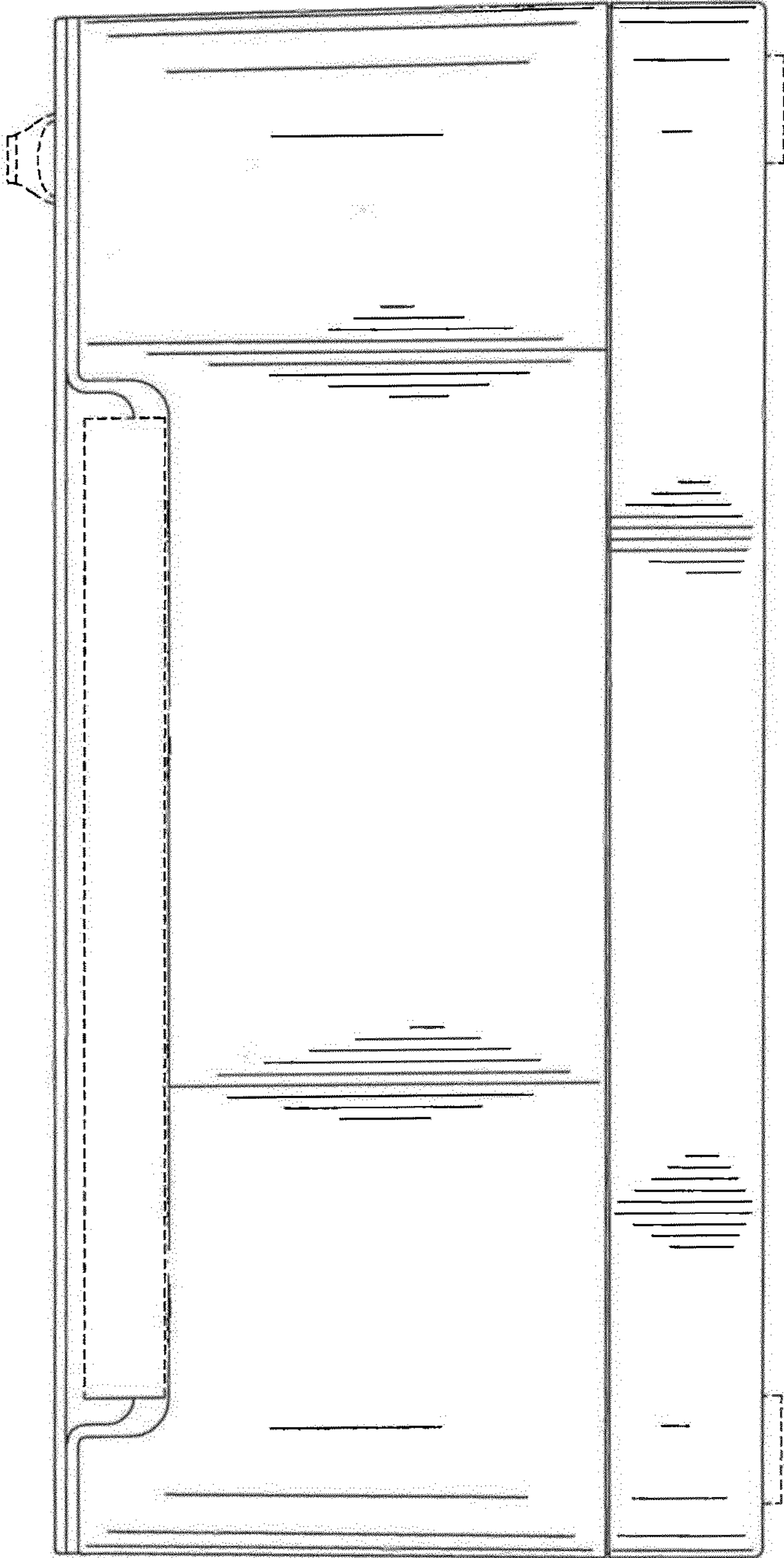


FIG 4

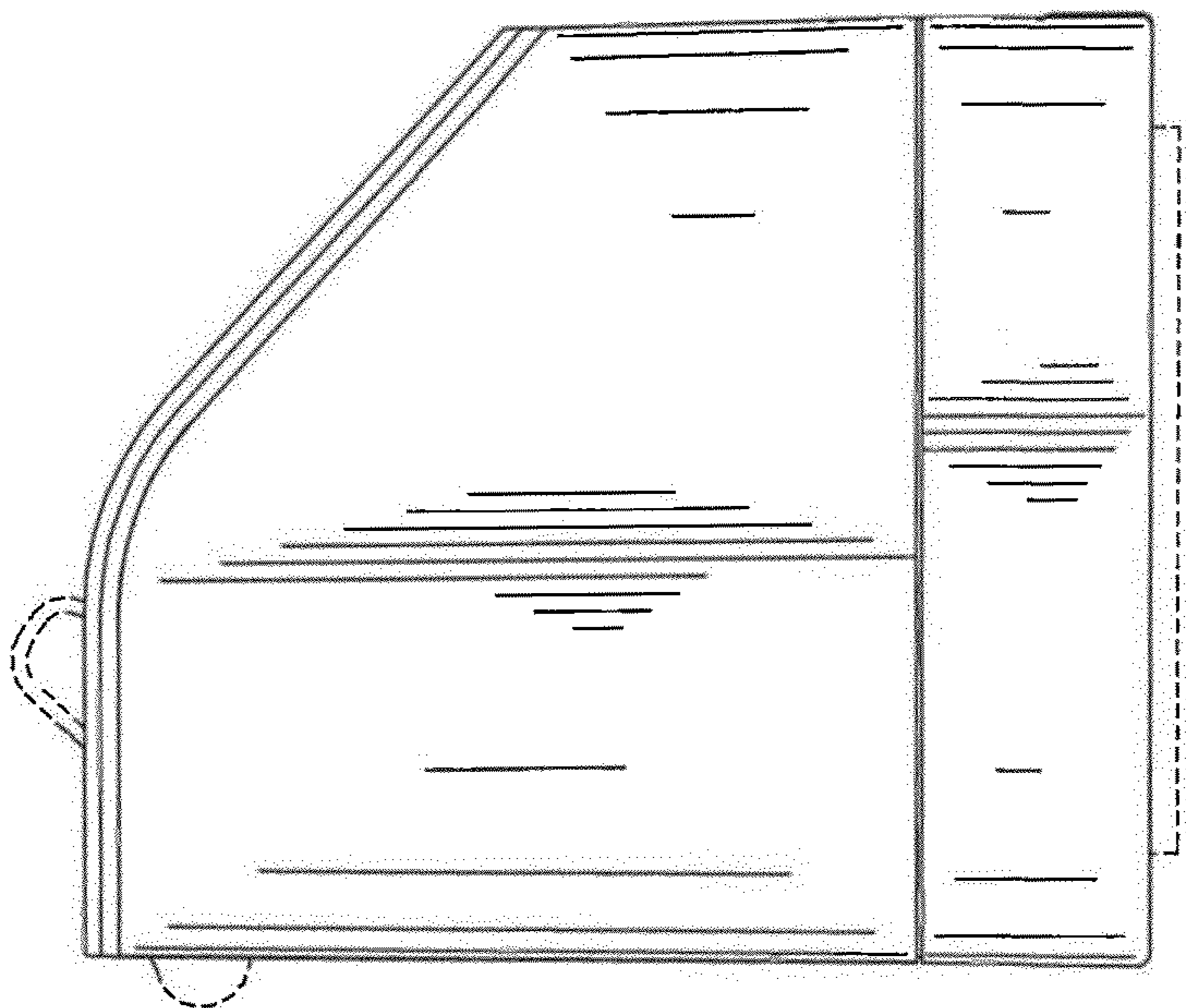


FIG 5

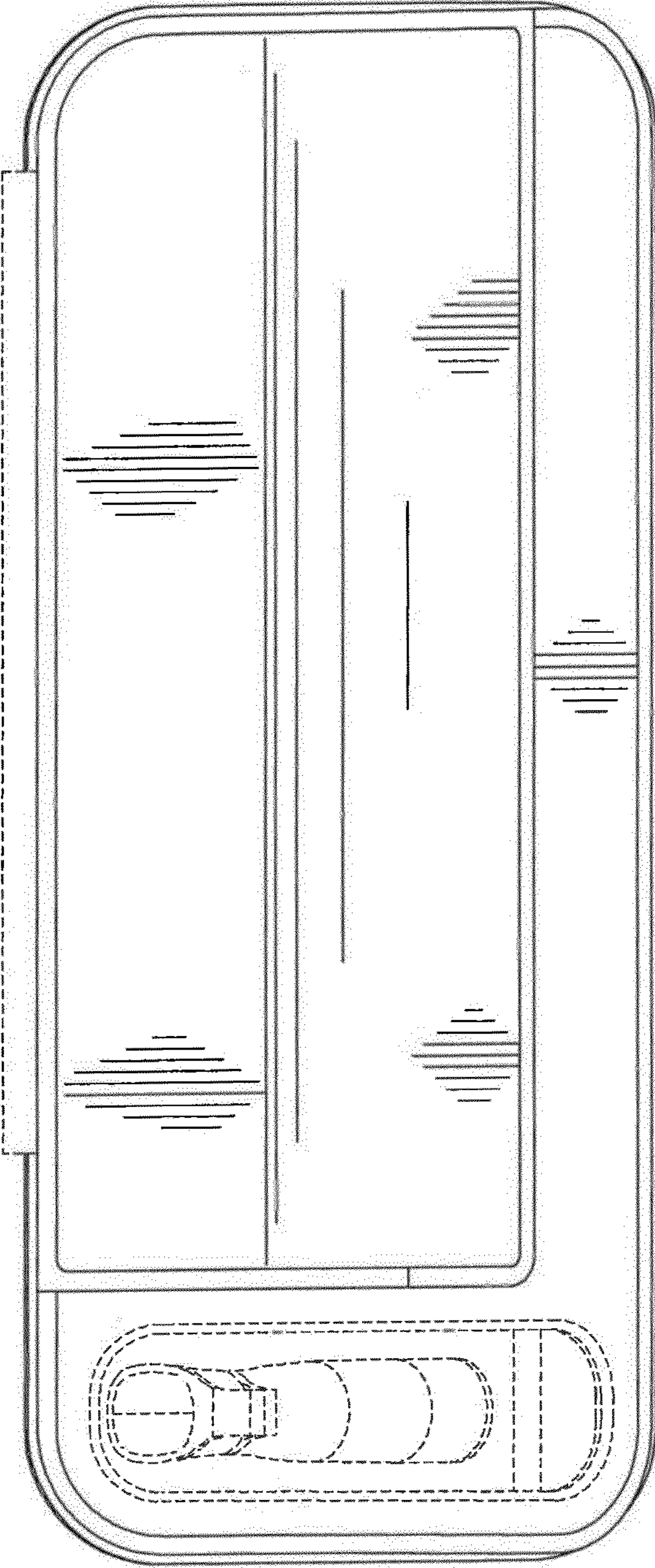


FIG 6



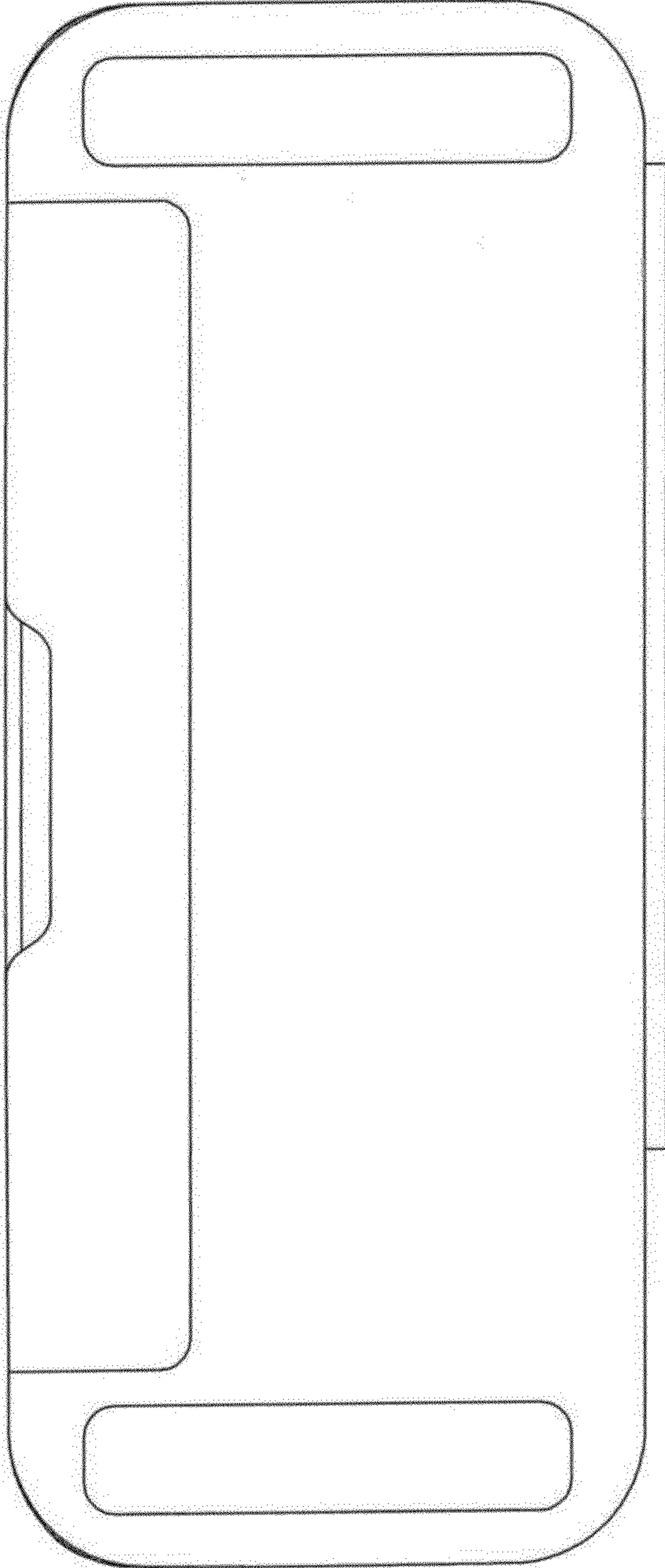


FIG 7