



US00D682327S

(12) **United States Design Patent**  
**Perez et al.**

(10) **Patent No.:** **US D682,327 S**  
(45) **Date of Patent:** **\*\* May 14, 2013**

- (54) **CIRCLE CUTTING JIG**
- (75) Inventors: **Leland Perez**, Alto, MI (US); **Terry Camp**, Wyoming, MI (US); **Michael Baird**, Hudsonville, MI (US); **Jeffery Folkert**, Hudsonville, MI (US)
- (73) Assignee: **Carter Products Co., Inc.**, Grand Rapids, MI (US)
- (\*\*) Term: **14 Years**
- (21) Appl. No.: **29/399,082**
- (22) Filed: **Aug. 9, 2011**
- (51) **LOC (9) Cl.** ..... **15-09**
- (52) **U.S. Cl.**  
USPC ..... **D15/140**
- (58) **Field of Classification Search** ..... D15/138,  
D15/139, 140, 141; 30/371-378; 74/89.15,  
74/438-441, 821-829  
See application file for complete search history.

- D410,934 S \* 6/1999 Etter ..... D15/127
- D420,372 S \* 2/2000 Kanzo et al. .... D15/140
- D434,052 S \* 11/2000 Swan et al. .... D15/140
- D437,332 S \* 2/2001 Remue et al. .... D15/141
- 6,401,579 B2 6/2002 Lei
- D463,465 S \* 9/2002 Sommerville et al. .... D15/140
- 6,520,225 B1 \* 2/2003 Dembicks ..... 144/253.5
- D482,051 S \* 11/2003 Hanne et al. .... D15/140
- 6,705,191 B2 3/2004 Lin
- D491,789 S \* 6/2004 Dembicks ..... D8/355
- D503,415 S \* 3/2005 Dembicks et al. .... D15/140
- D554,163 S \* 10/2007 Krohmer et al. .... D15/140
- D607,576 S 1/2010 Thompson, Jr. et al.
- 7,946,319 B2 \* 5/2011 Sommerville et al. .... 144/286.1
- 2007/0006706 A1 1/2007 Watanabe et al.

\* cited by examiner

*Primary Examiner* — Patricia Palasik  
(74) *Attorney, Agent, or Firm* — Price Heneveld LLP

(57) **CLAIM**  
The ornamental design for a circle cutting jig, as shown and described.

**DESCRIPTION**

FIG. 1 is a perspective view of the circle cutting jig showing our new design.

FIG. 2 is a top view of the circle cutting jig showing our new design.

FIG. 3 is a bottom view of the circle cutting jig showing our new design.

FIG. 4 is an end view of the circle cutting jig showing our new design.

FIG. 5 is an opposite end view of the circle cutting jig showing our new design.

FIG. 6 is a side view of the circle cutting jig showing our new design; and,

FIG. 7 is an opposite side view of the circle cutting jig showing our new design.

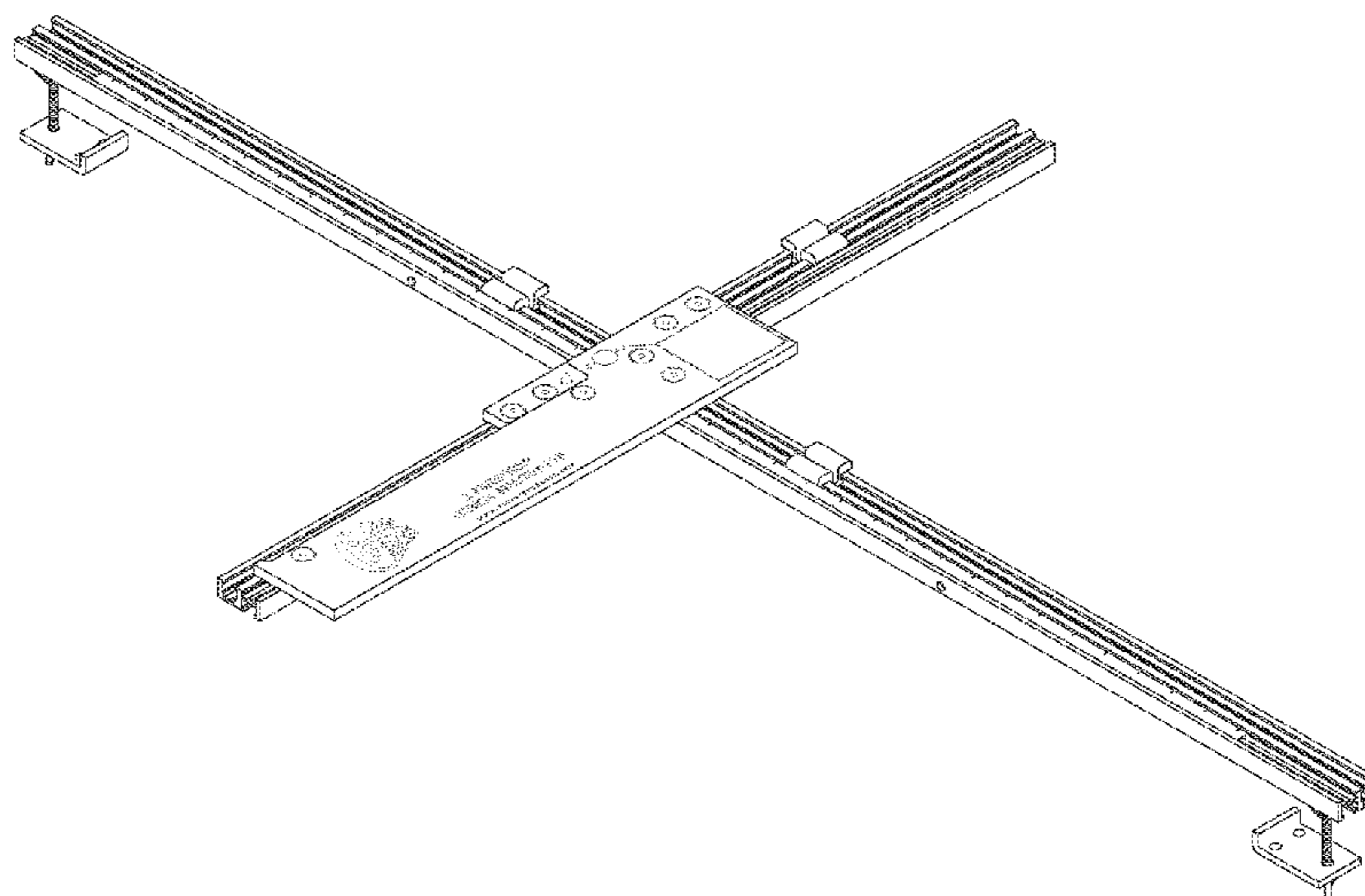
The broken lines in the drawings depict the boundaries of the claimed design and form no part thereof.

**1 Claim, 4 Drawing Sheets**

(56) **References Cited**

U.S. PATENT DOCUMENTS

724,433	A	4/1903	Catudal	
1,420,218	A	6/1922	Richards	
1,947,885	A *	2/1934	Tautz	144/253.2
2,104,158	A *	1/1938	Hedgpeth	144/253.2
2,157,310	A	5/1939	Ward	
2,535,673	A	12/1950	Forbes	
2,625,186	A	1/1953	Sayers	
2,801,652	A	8/1957	Meeker	
2,827,084	A	3/1958	Massongill	
4,027,566	A	6/1977	Harrill	
4,074,600	A	2/1978	Raphael	
4,244,253	A	1/1981	Flanigan	
4,693,155	A	9/1987	Ledford, Jr.	
4,719,951	A *	1/1988	Woltanski	144/253.2
D345,041	S *	3/1994	Bauer	D15/138
D352,510	S *	11/1994	Sutton et al.	D15/138
D367,484	S *	2/1996	Johnson et al.	D15/141
D368,725	S *	4/1996	Aust	D15/138
D387,782	S *	12/1997	Letendre	D15/133



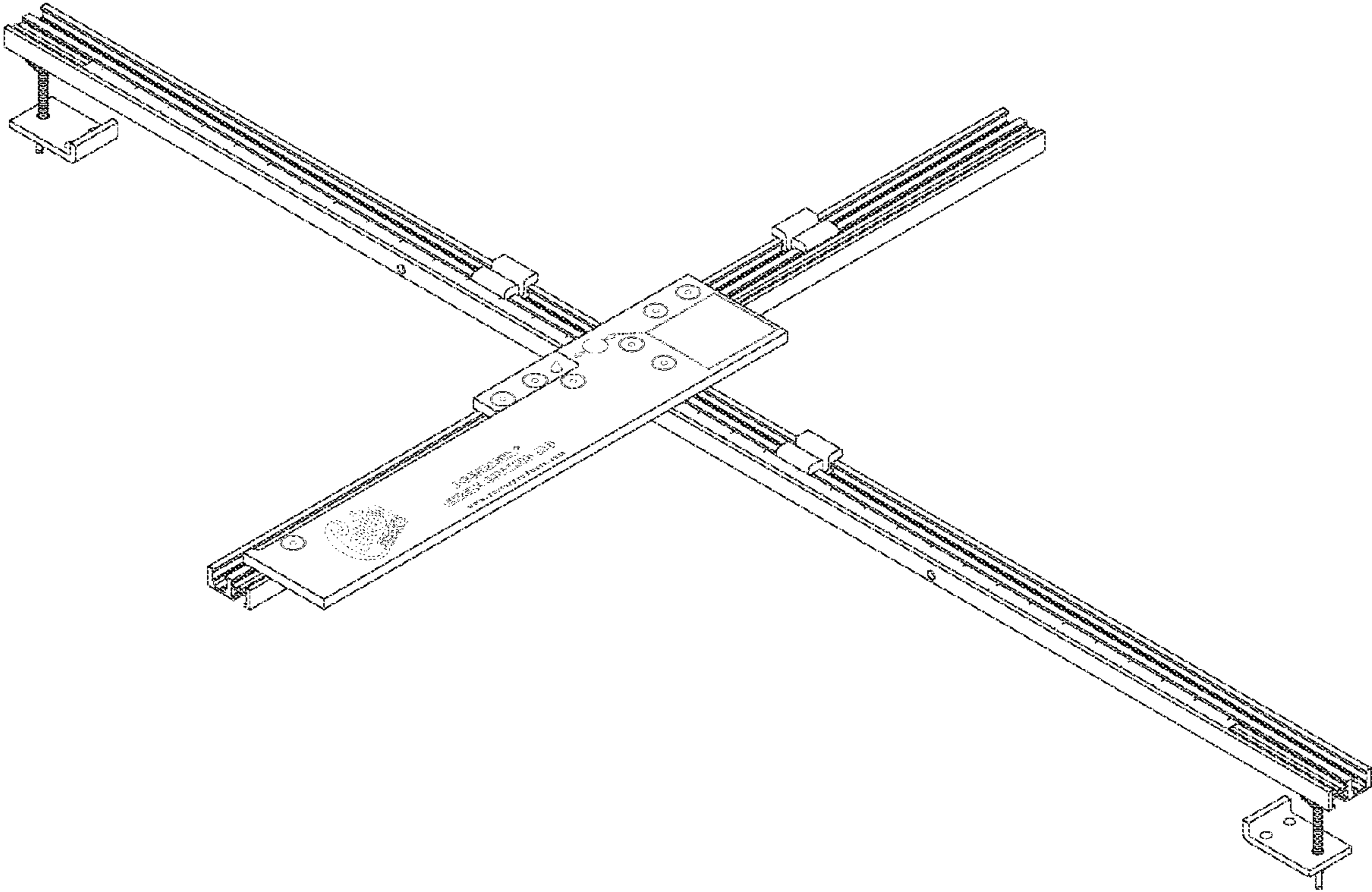


FIG. 1

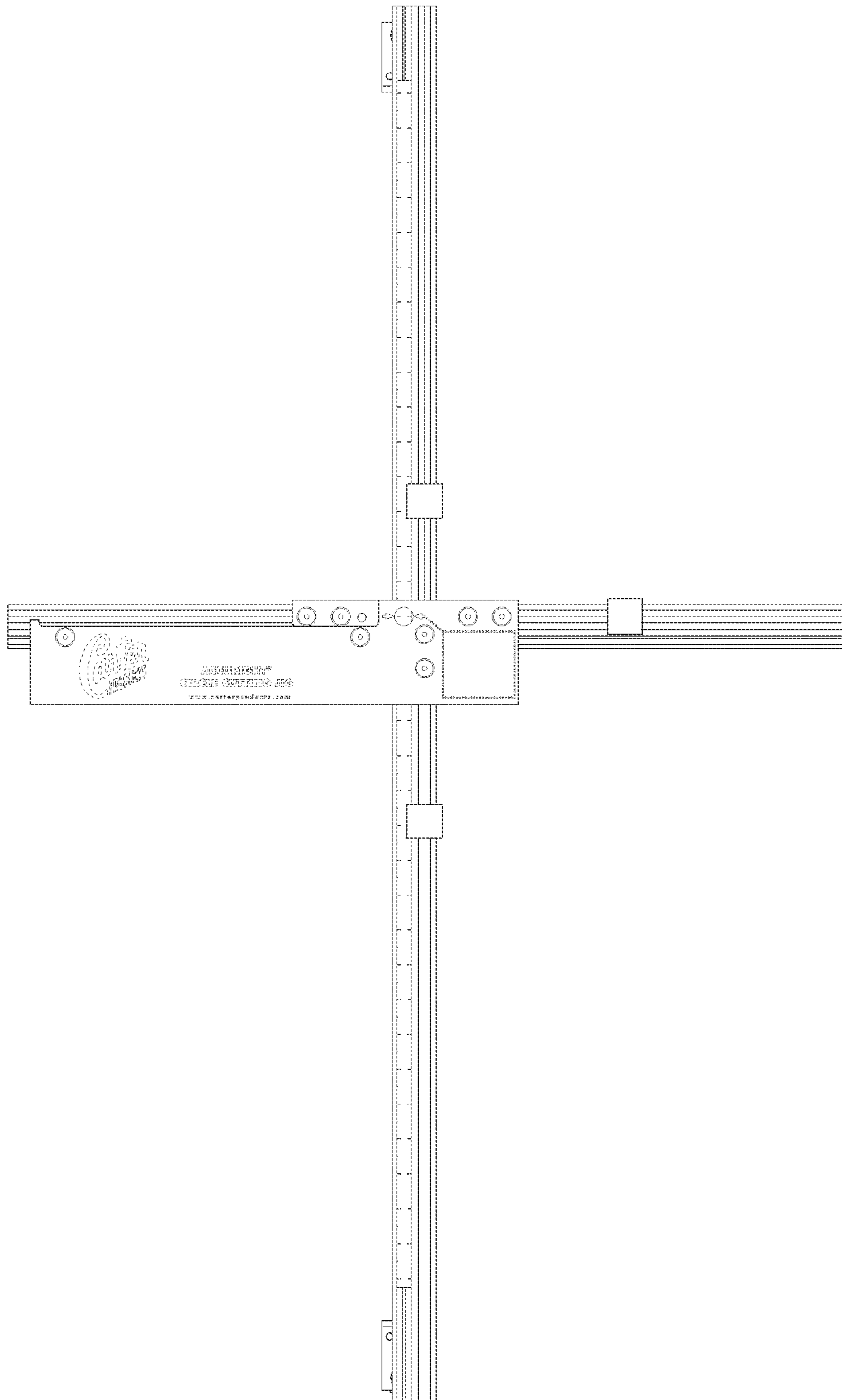


FIG. 2

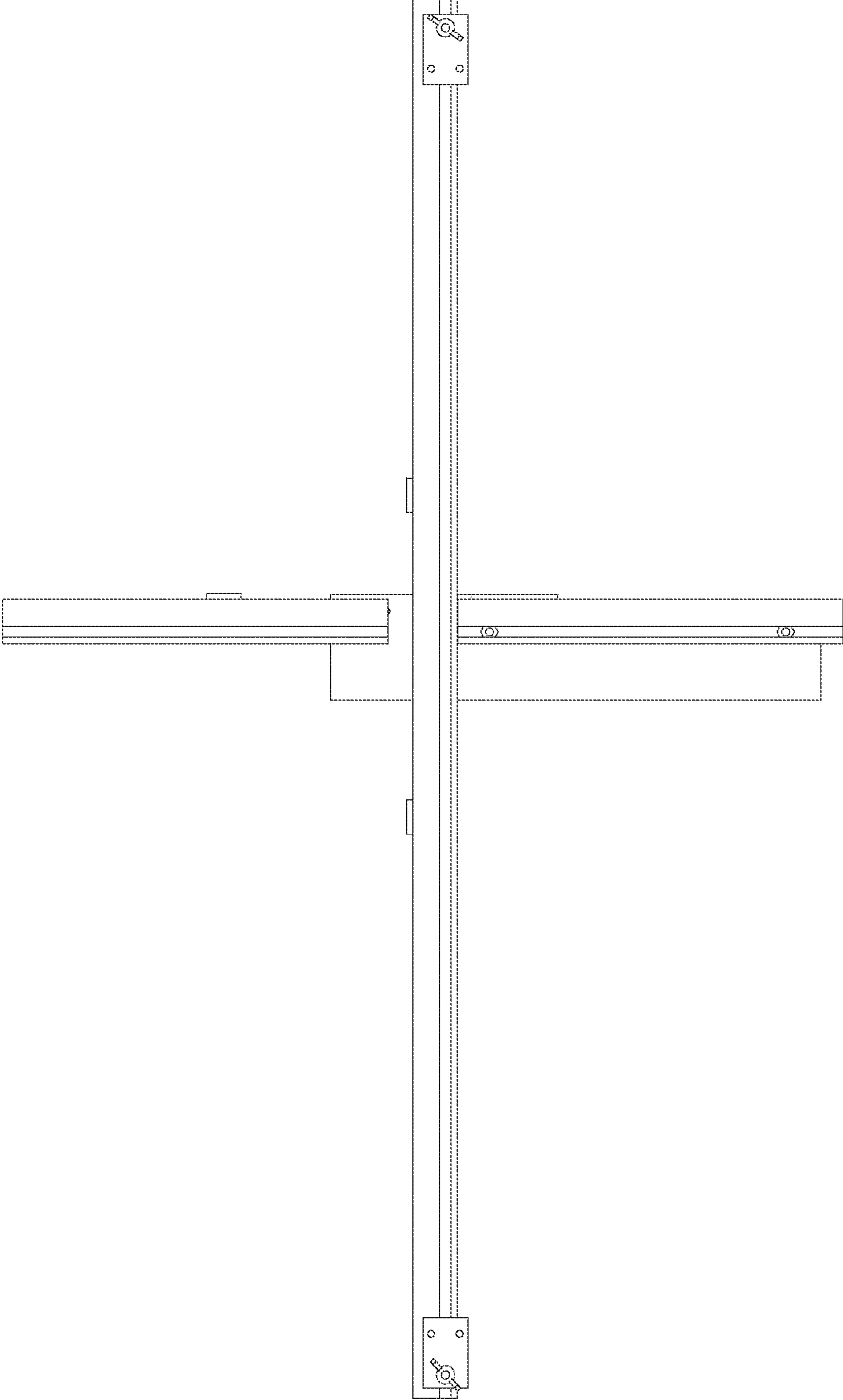


FIG. 3

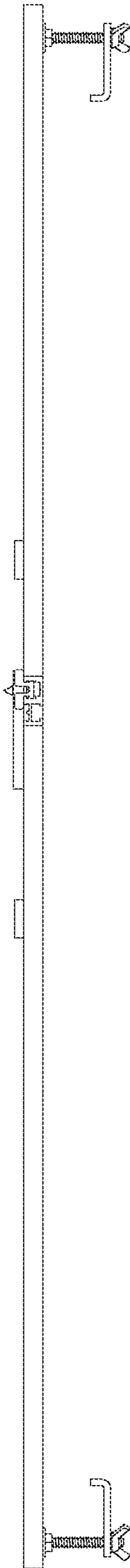


FIG. 4

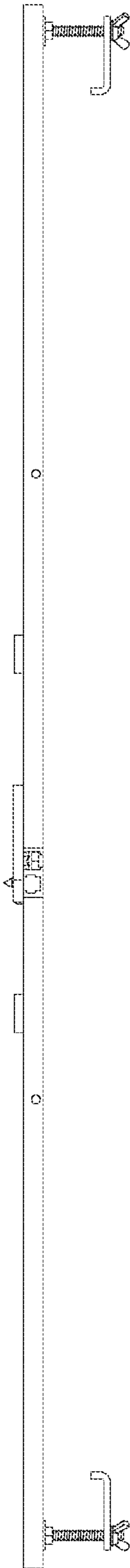


FIG. 5

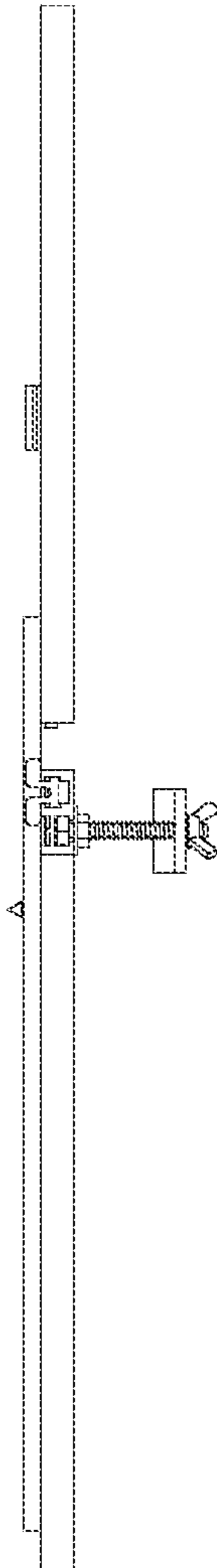


FIG. 6

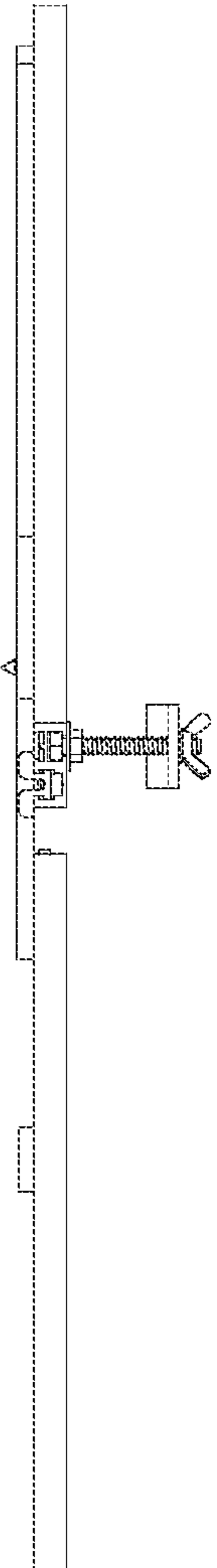


FIG. 7