



US00D682324S

(12) **United States Design Patent**
Ryan et al.

(10) **Patent No.:** **US D682,324 S**
(45) **Date of Patent:** **** May 14, 2013**

- (54) **FIXED PANEL LOUVER**
- (71) Applicant: **Deere & Company**, Moline, IL (US)
- (72) Inventors: **Alex M. Ryan**, Cedar Falls, IA (US);
William E. Crookes, Ann Arbor, MI (US);
Randy C. Rush, Cedar Falls, IA (US)
- (73) Assignee: **Deere & Company**, Moline, IL (US)
- (**) Term: **14 Years**
- (21) Appl. No.: **29/435,680**
- (22) Filed: **Oct. 26, 2012**
- (51) **LOC (9) Cl.** **15-03**
- (52) **U.S. Cl.**
USPC **D15/31**
- (58) **Field of Classification Search** D15/10,
D15/11, 13-17, 28, 22-26, 31; D12/173;
56/13.3, 13.4, 15.8, 15.9, 320.1; 180/89.1,
180/89.12, 900, 69.2, 68.1, 69.1
See application file for complete search history.

D488,488 S *	4/2004	Montgomery et al.	D15/31
D495,344 S *	8/2004	Farlow et al.	D15/31
D495,345 S *	8/2004	Farlow et al.	D15/31
D497,370 S *	10/2004	Katoh	D15/31
D512,079 S *	11/2005	Farlow et al.	D15/31
D512,445 S *	12/2005	Farlow et al.	D15/31
D520,527 S *	5/2006	Crookes et al.	D15/31
D554,669 S *	11/2007	Crookes et al.	D15/31
D560,692 S *	1/2008	Moen et al.	D15/31
D570,382 S *	6/2008	Higashikawa	D15/31
D591,777 S *	5/2009	Kokitkar et al.	D15/31
D620,503 S *	7/2010	Krogh et al.	D15/31
D620,955 S *	8/2010	Krogh et al.	D15/31
D626,153 S *	10/2010	Gavin et al.	D15/31
D631,489 S *	1/2011	Booth et al.	D15/31
D632,312 S *	2/2011	Booth et al.	D15/31

* cited by examiner

Primary Examiner — Mark Goodwin

(57) **CLAIM**
The ornamental design for a fixed panel louver, as shown and described.

DESCRIPTION

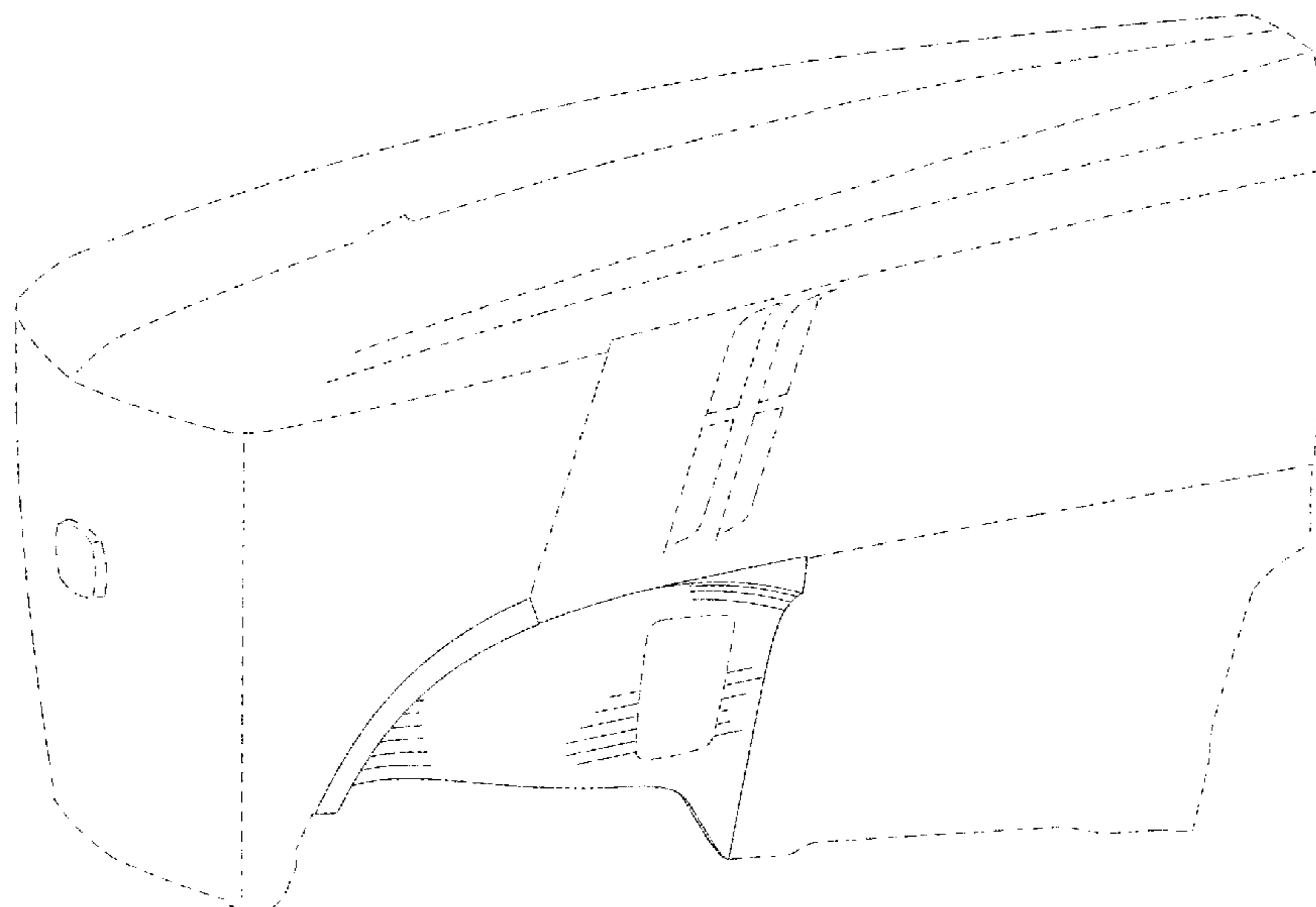
FIG. 1 is a front perspective view of a fixed panel louver showing our new design.
 FIG. 2 is a front view thereof.
 FIG. 3 is a rear view thereof.
 FIG. 4 is a top view thereof.
 FIG. 5 is a bottom view thereof.
 FIG. 6 is a left side view thereof; and,
 FIG. 7 is a right side view thereof.
 The broken line showing of the hood is included for the purpose of illustrating environmental structure only and forms no part of the claimed design.

1 Claim, 6 Drawing Sheets

(56) **References Cited**

U.S. PATENT DOCUMENTS

D246,370 S *	11/1977	Lorenz	D15/31
D371,372 S *	7/1996	Westimayer et al.	D15/31
D383,470 S *	9/1997	Westimayer et al.	D15/31
D413,905 S *	9/1999	Schmidt et al.	D15/31
D448,037 S *	9/2001	Westimayer et al.	D15/31
D451,106 S *	11/2001	Crookes et al.	D15/31
D458,944 S *	6/2002	Crookes et al.	D15/31
D458,945 S *	6/2002	Hohnl et al.	D15/31
D466,531 S *	12/2002	Hohnl et al.	D15/31
D483,383 S *	12/2003	Crookes et al.	D15/31



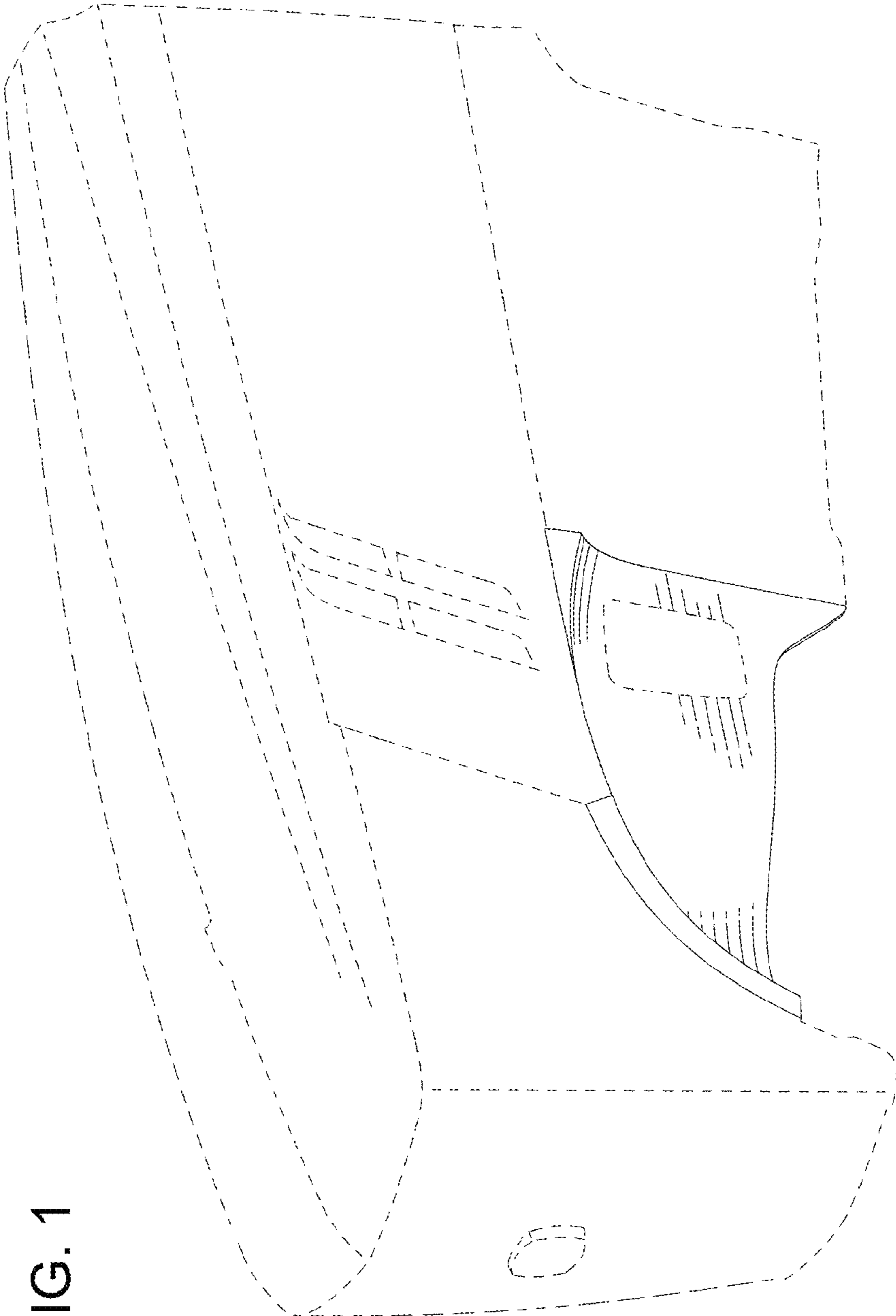


FIG. 1

FIG. 3

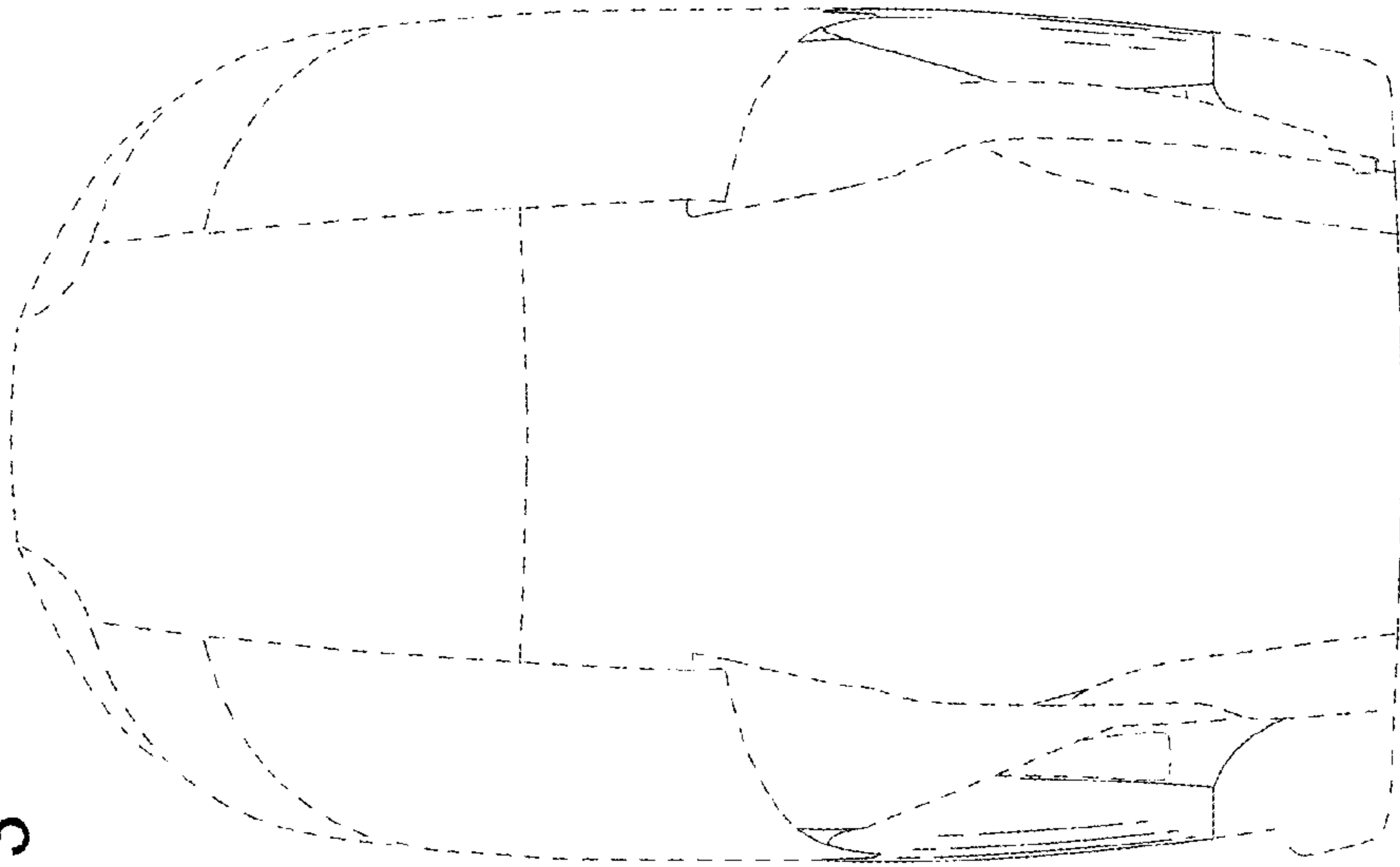
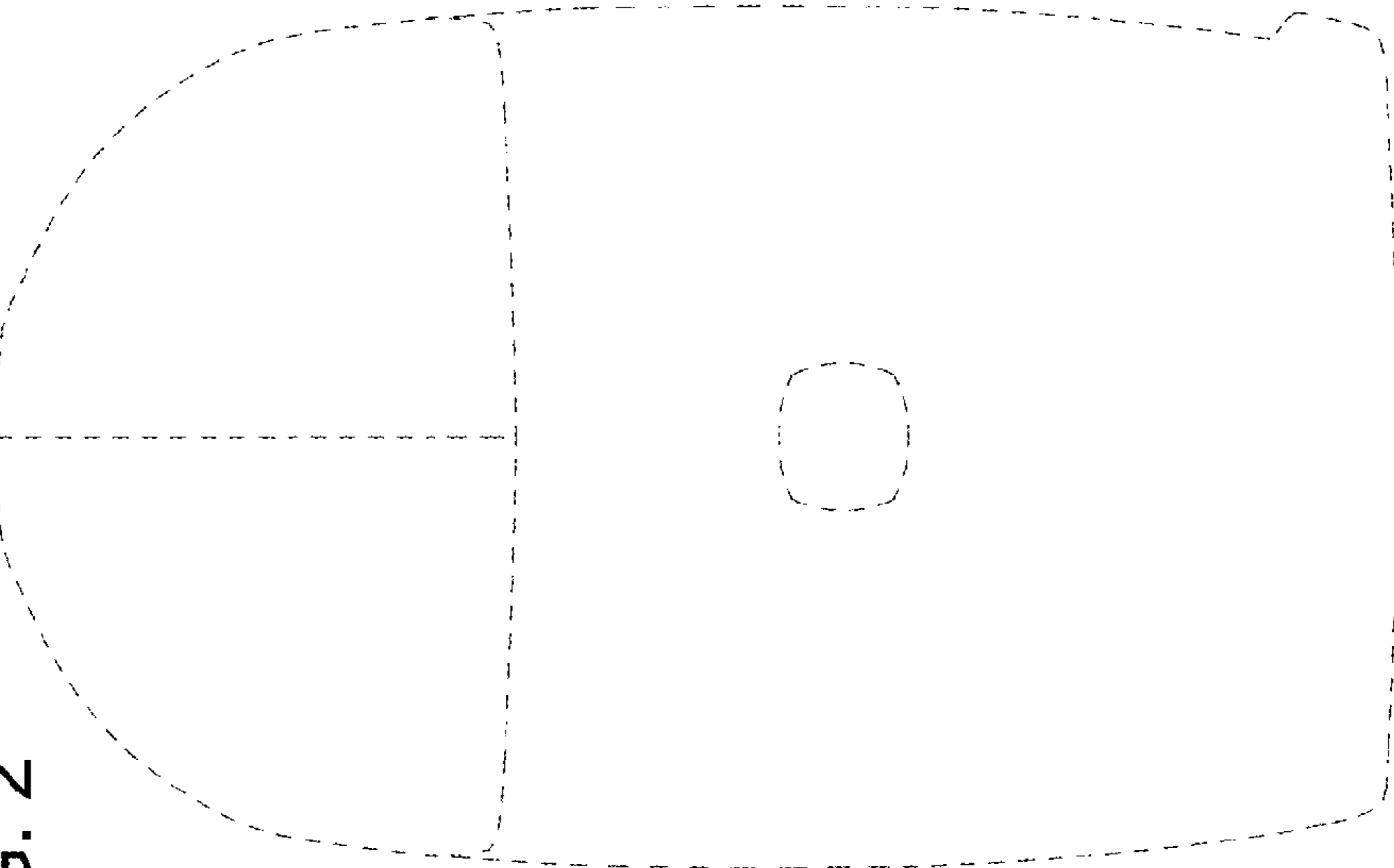


FIG. 2



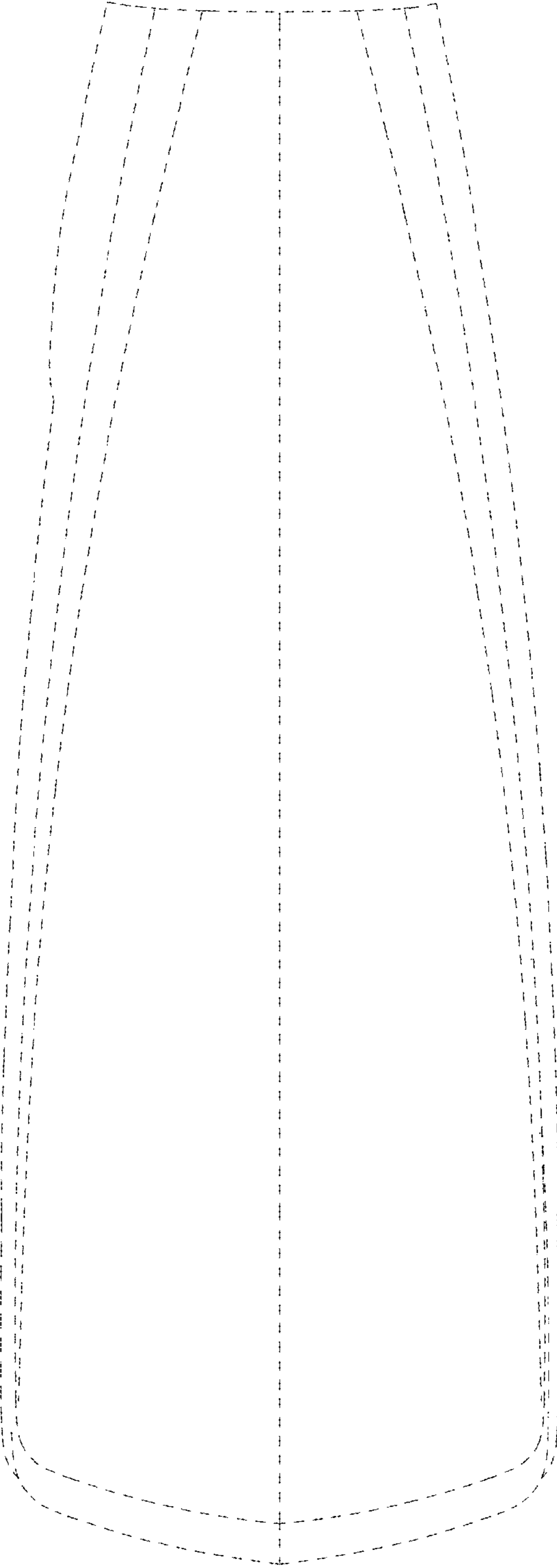


FIG. 4

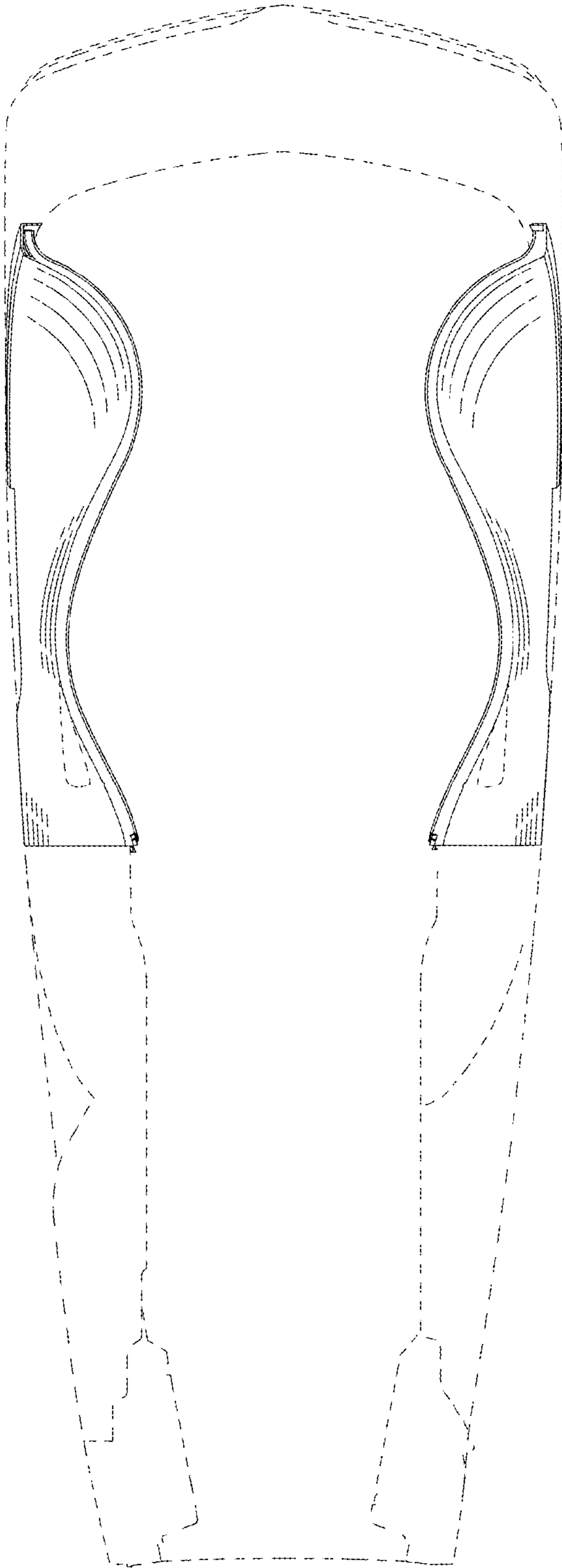


FIG. 5

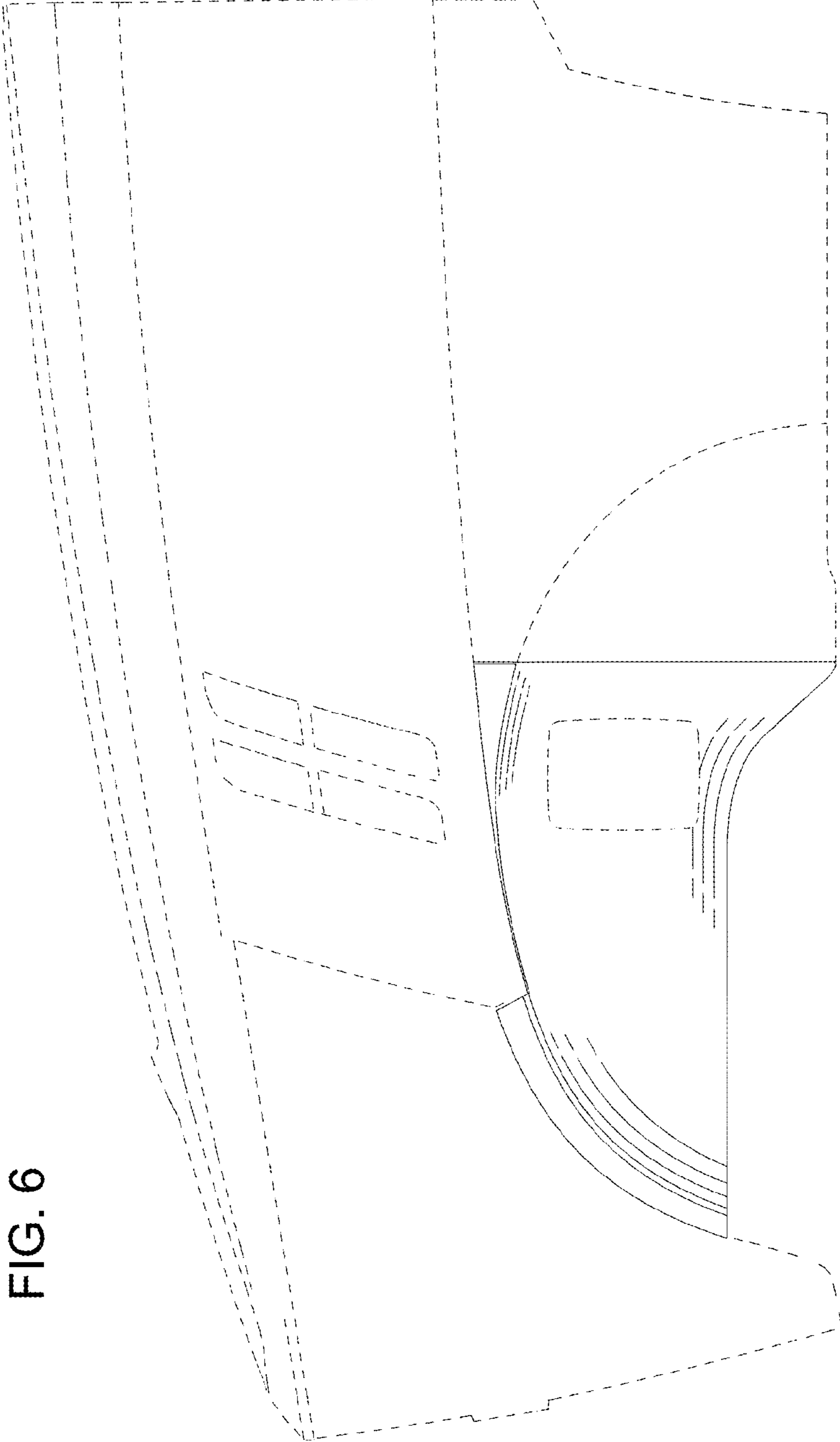


FIG. 6

FIG. 7

