



US00D682323S

(12) **United States Design Patent**
Ryan et al.

(10) **Patent No.:** **US D682,323 S**

(45) **Date of Patent:** **** May 14, 2013**

(54) **LARGE ROW CROP TRACTOR HOOD**

(71) Applicant: **Deere & Company**, Moline, IL (US)

(72) Inventors: **Alex M. Ryan**, Cedar Falls, IA (US);
William E. Crookes, Ann Arbor, MI (US);
Randy C. Rush, Cedar Falls, IA (US)

(73) Assignee: **Deere & Company**, Moline, IL (US)

(**) Term: **14 Years**

(21) Appl. No.: **29/435,661**

(22) Filed: **Oct. 26, 2012**

(51) **LOC (9) Cl.** **15-03**

(52) **U.S. Cl.**
USPC **D15/31**

(58) **Field of Classification Search** D15/10,
D15/11, 13-17, 28, 22-26, 31; D12/173;
56/13.3, 13.4, 15.8, 15.9, 320.1; 180/89.1,
180/89.12, 900, 69.2, 68.1, 69.1

See application file for complete search history.

(56) **References Cited**

U.S. PATENT DOCUMENTS

D246,370 S	*	11/1977	Lorenz	D15/31
D371,372 S	*	7/1996	Westimayer et al.	D15/31
D383,470 S	*	9/1997	Westimayer et al.	D15/31
D413,905 S	*	9/1999	Schmidt et al.	D15/31
D448,037 S	*	9/2001	Westimayer et al.	D15/31
D451,106 S	*	11/2001	Crookes et al.	D15/31
D458,944 S	*	6/2002	Crookes et al.	D15/31
D458,945 S	*	6/2002	Hohnl et al.	D15/31
D466,531 S	*	12/2002	Hohnl et al.	D15/31
D483,383 S	*	12/2003	Crookes et al.	D15/31

D488,488 S	*	4/2004	Montgomery et al.	D15/31
D495,344 S	*	8/2004	Farlow et al.	D15/31
D495,345 S	*	8/2004	Farlow et al.	D15/31
D497,370 S	*	10/2004	Katoh	D15/31
D512,079 S	*	11/2005	Farlow et al.	D15/31
D512,445 S	*	12/2005	Farlow et al.	D15/31
D520,527 S	*	5/2006	Crookes et al.	D15/31
D554,669 S	*	11/2007	Crookes et al.	D15/31
D560,692 S	*	1/2008	Moen et al.	D15/31
D570,382 S	*	6/2008	Higashikawa	D15/31
D591,777 S	*	5/2009	Kokitkar et al.	D15/31
D620,503 S	*	7/2010	Krogh et al.	D15/31
D620,955 S	*	8/2010	Krogh et al.	D15/31
D626,153 S	*	10/2010	Gavin et al.	D15/31
D631,489 S	*	1/2011	Booth et al.	D15/31
D632,312 S	*	2/2011	Booth et al.	D15/31

* cited by examiner

Primary Examiner — Mark Goodwin

(57) **CLAIM**

The ornamental design for a large row crop tractor hood, as shown and described.

DESCRIPTION

FIG. 1 is a front perspective view of a large row crop tractor hood showing our new design.

FIG. 2 is a front view thereof.

FIG. 3 is a rear view thereof.

FIG. 4 is a top view thereof.

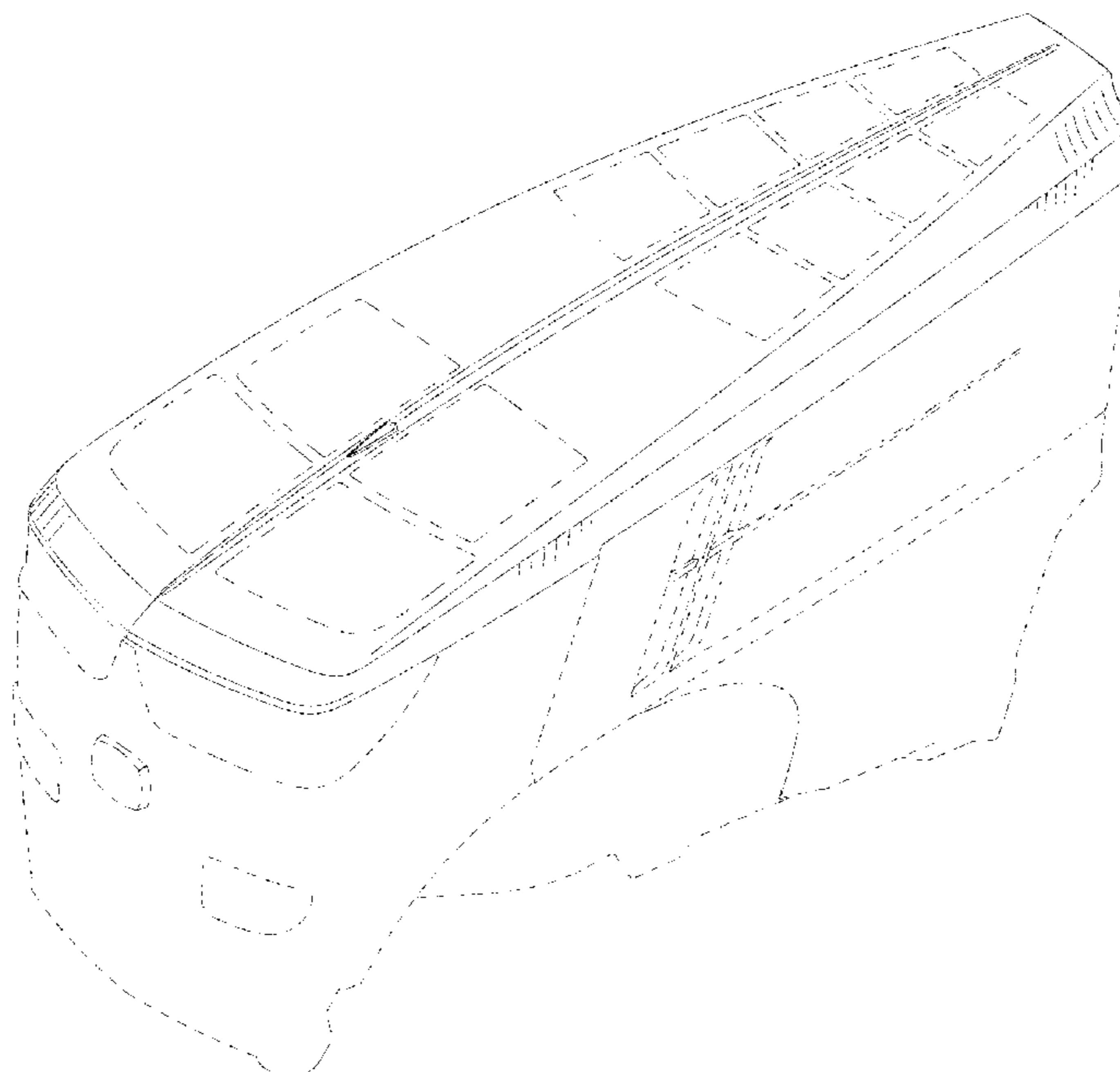
FIG. 5 is a bottom view thereof.

FIG. 6 is a left side view thereof; and,

FIG. 7 is a right side view thereof.

The broken line showing of the lower half of the hood is included for the purpose of illustrating portions of the large row crop tractor hood and forms no part of the claimed design.

1 Claim, 6 Drawing Sheets



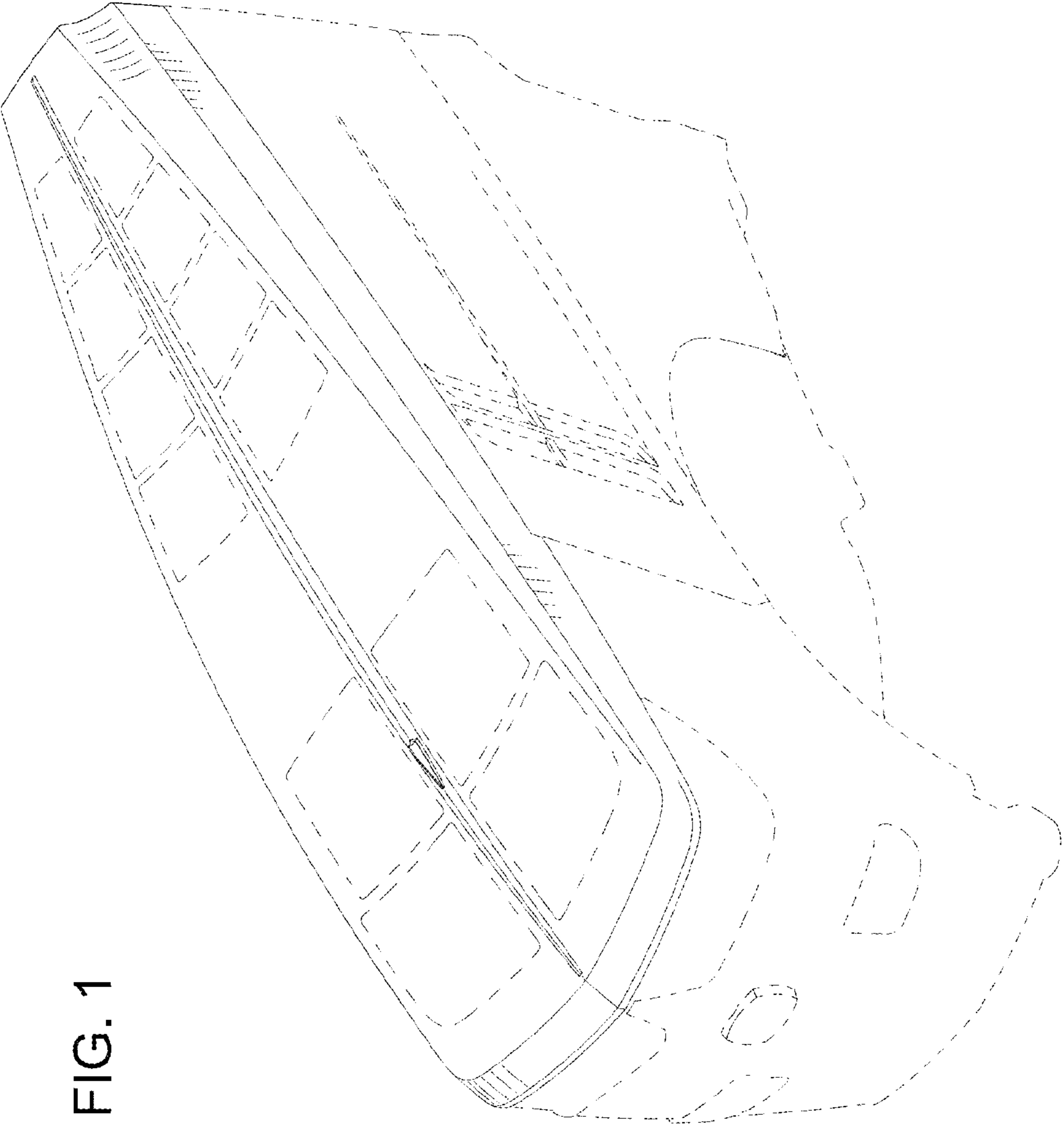


FIG. 1

FIG. 3

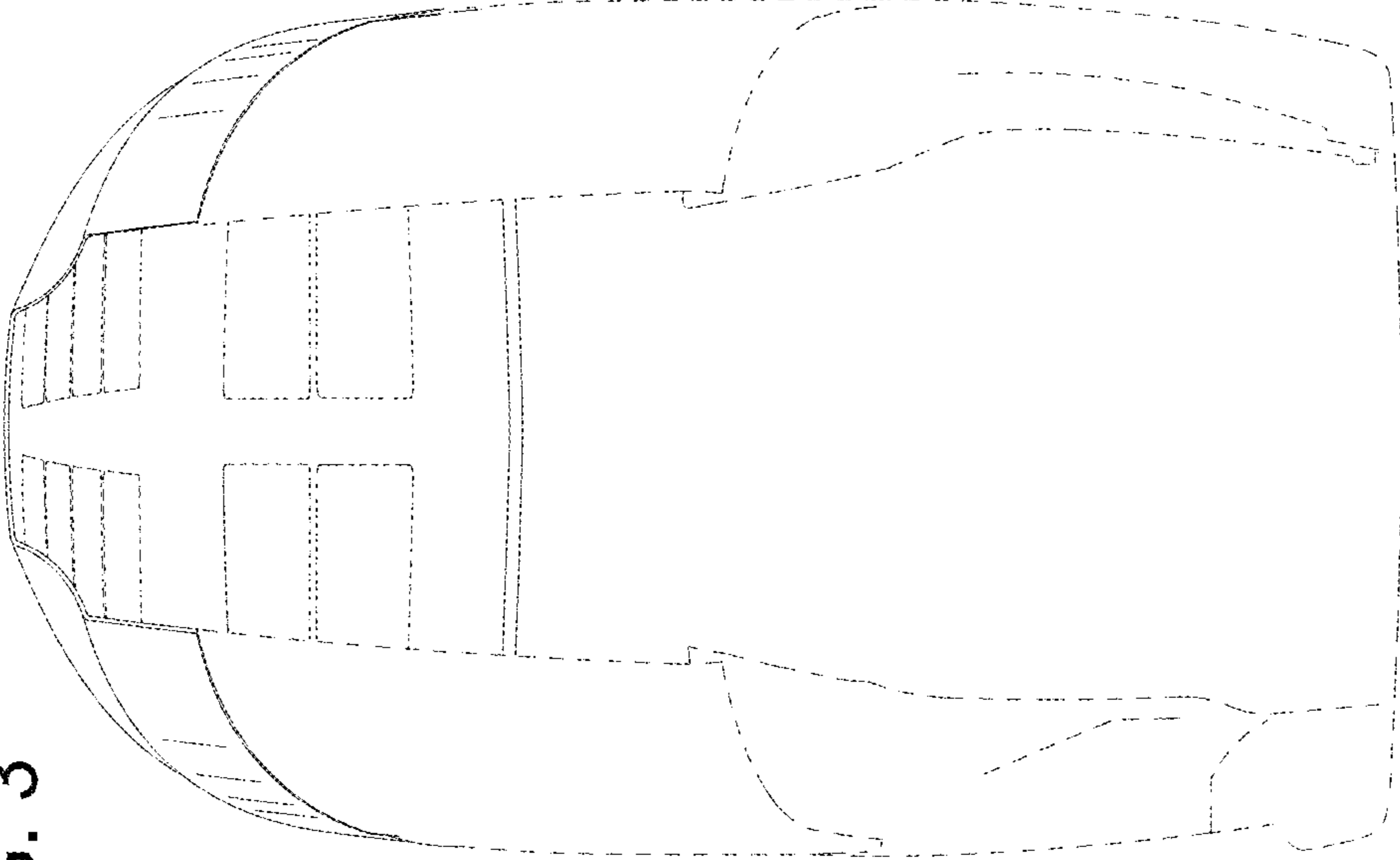


FIG. 2

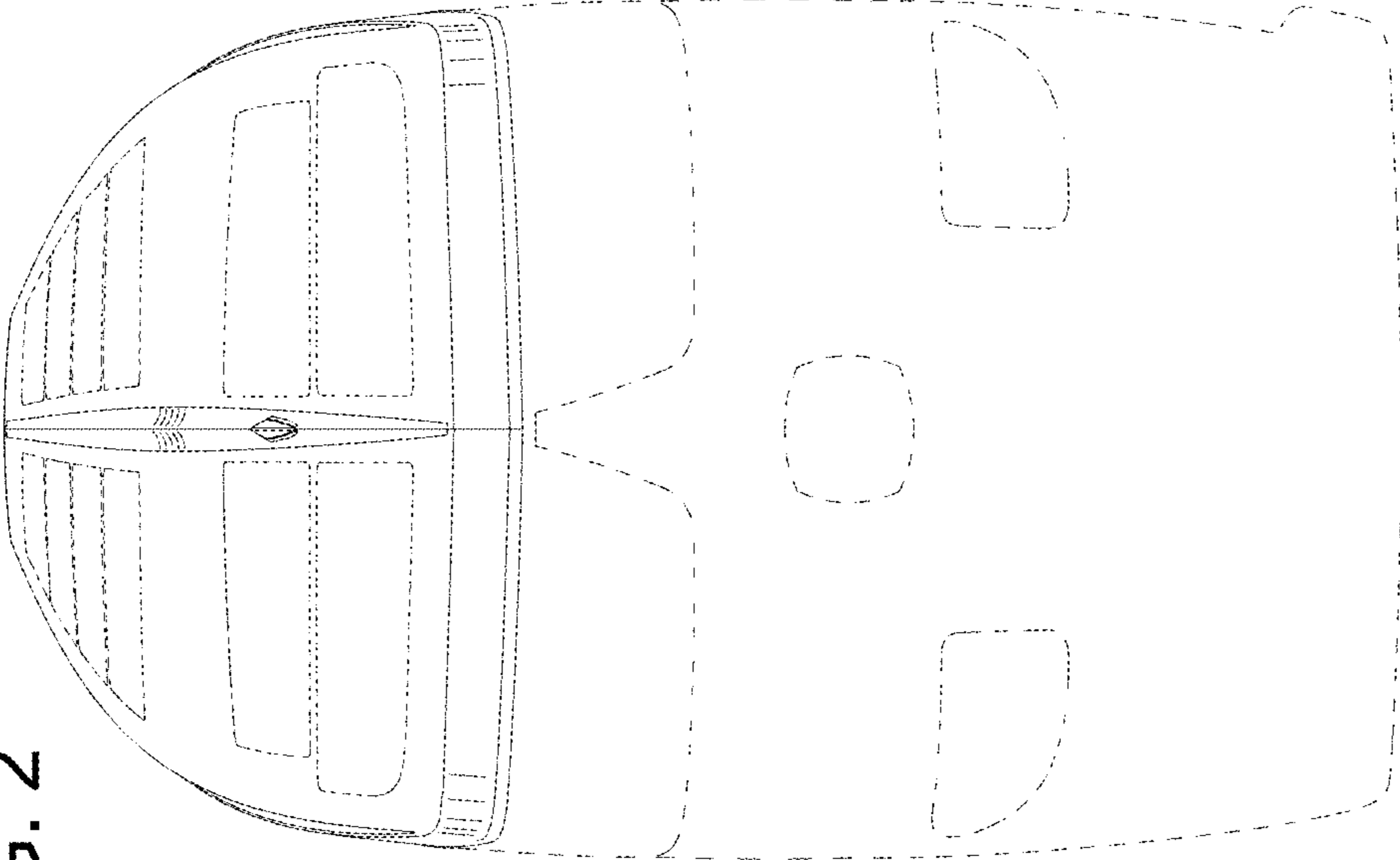


FIG. 4

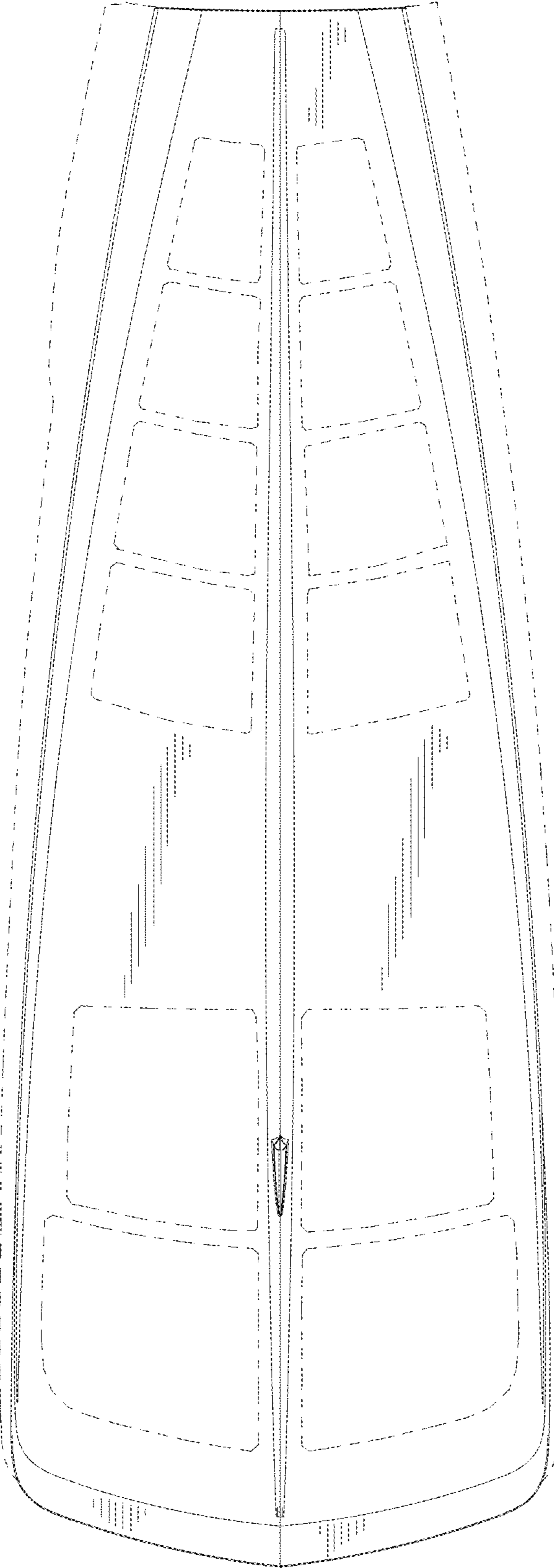
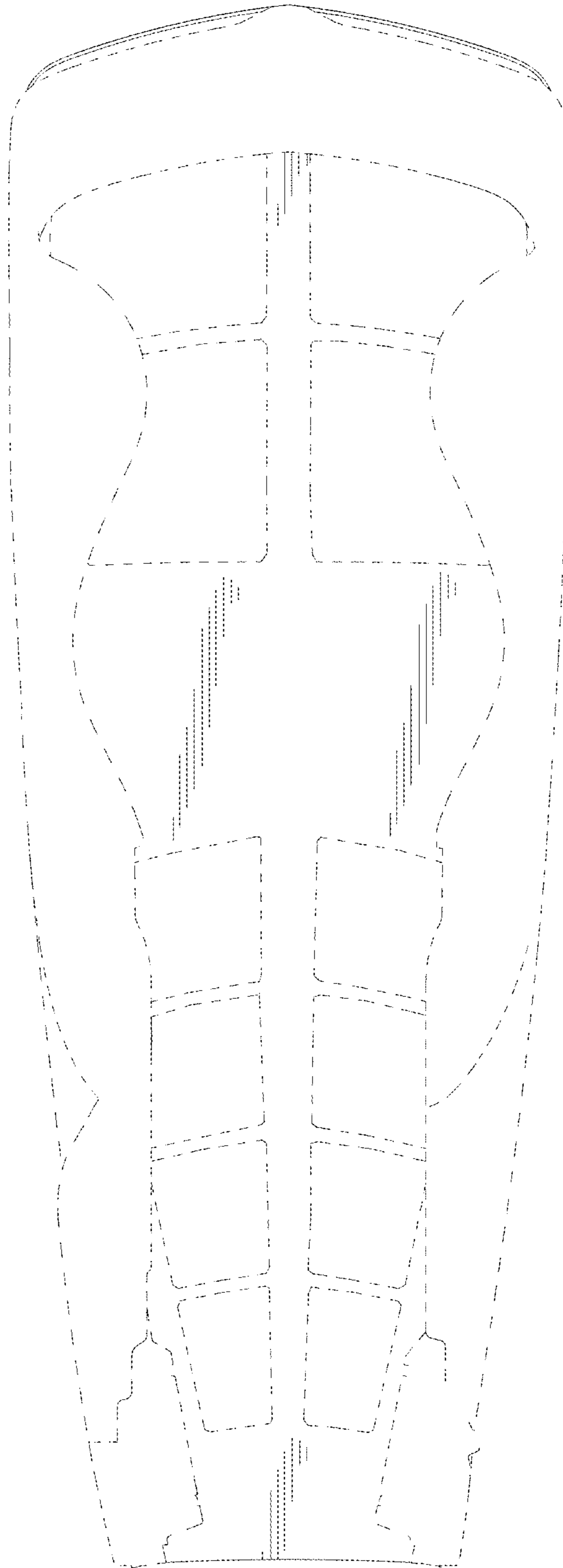


FIG. 5



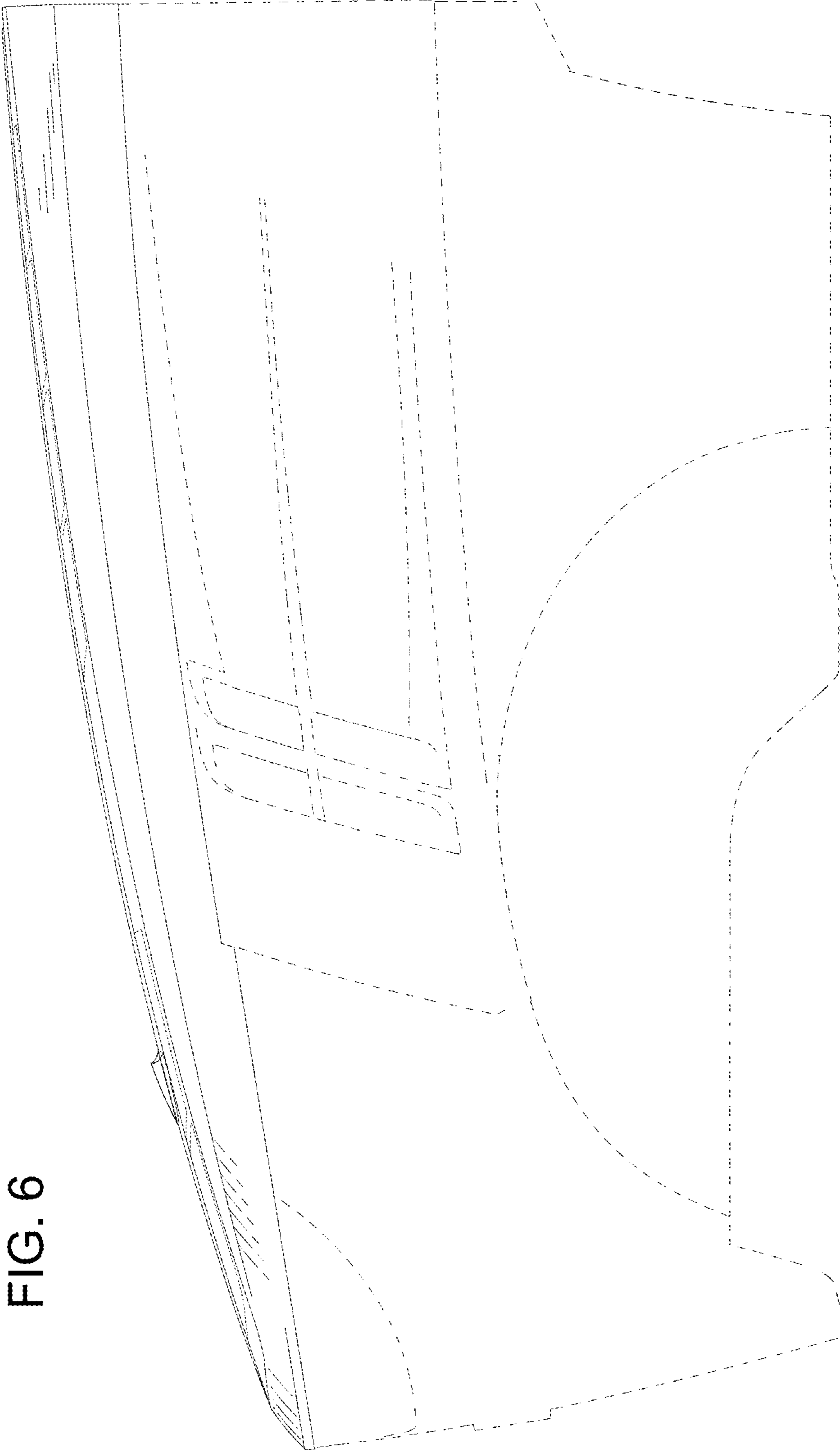


FIG. 6

FIG. 7

