



US00D682321S

(12) **United States Design Patent**
Adamson et al.

(10) **Patent No.:** **US D682,321 S**

(45) **Date of Patent:** **** *May 14, 2013**

(54) **TRACTOR**

(56)

References Cited

(75) Inventors: **William Adamson**, Naperville, IL (US);
Thomas Chlystek, Darien, IL (US);
Carl J. Hagele, The Villages, FL (US);
Richard J. Hagele, legal representative,
The Villages, FL (US); **Jay Larson**,
Fargo, ND (US); **Aaron Richard**,
Berwyn, IL (US); **Russell Stoltman**,
Argusville, ND (US)

U.S. PATENT DOCUMENTS

D247,624	S	*	3/1978	Emundts et al.	D15/23
D256,017	S	*	7/1980	Emundts et al.	D15/23
D274,524	S	*	7/1984	Koval et al.	D15/23
D329,435	S	*	9/1992	Katoh et al.	D15/23
D387,068	S	*	12/1997	Kato et al.	D15/23
D391,581	S	*	3/1998	Kato et al.	D15/23
D440,234	S	*	4/2001	Katoh et al.	D15/23
D498,245	S	*	11/2004	Kuwae et al.	D15/23
D519,130	S	*	4/2006	Higashikawa et al.	D15/23
D519,131	S	*	4/2006	Kuwae et al.	D15/23
D527,026	S	*	8/2006	Kuwae et al.	D15/23
D555,674	S	*	11/2007	Kuwae et al.	D15/23
D564,544	S	*	3/2008	Higashikawa et al.	D15/23
D602,047	S	*	10/2009	Kushita et al.	D15/23
D604,749	S	*	11/2009	Kushita et al.	D15/23

(73) Assignee: **CNH America LLC**

(*) Notice: This patent is subject to a terminal disclaimer.

* cited by examiner

(**) Term: **14 Years**

Primary Examiner — Mark Goodwin

(74) *Attorney, Agent, or Firm* — Sue C. Watson

(21) Appl. No.: **29/409,361**

(57) **CLAIM**

The ornamental design for a tractor, as shown and described.

(22) Filed: **Dec. 22, 2011**

DESCRIPTION

(51) **LOC (9) Cl.** **12-09**

(52) **U.S. Cl.**
USPC **D15/23; D15/26**

(58) **Field of Classification Search** D15/10,
D15/14-17, 22-26; 56/13.4, 13.3, 15.8,
56/15.9, 16.1, 16.7, 175, 202; 180/89.1,
180/89.12, 900

FIG. 1 is a perspective view of a tractor showing our new design;

FIG. 2 is a left side elevational view thereof;

FIG. 3 is a front elevational view thereof;

FIG. 4 is a right side elevational view thereof;

FIG. 5 is a back elevational view thereof; and,

FIG. 6 is a top plan view thereof.

See application file for complete search history.

1 Claim, 6 Drawing Sheets

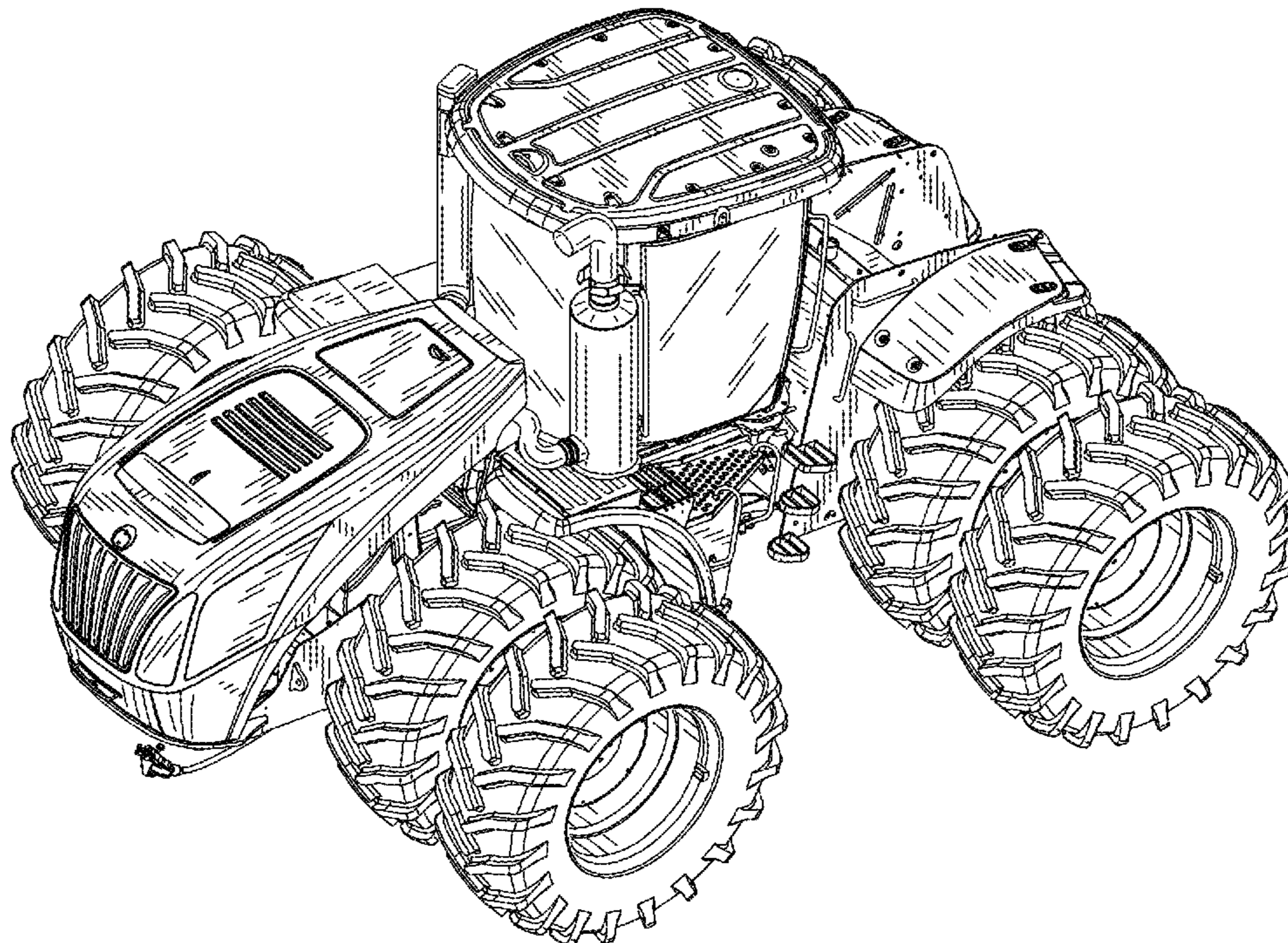
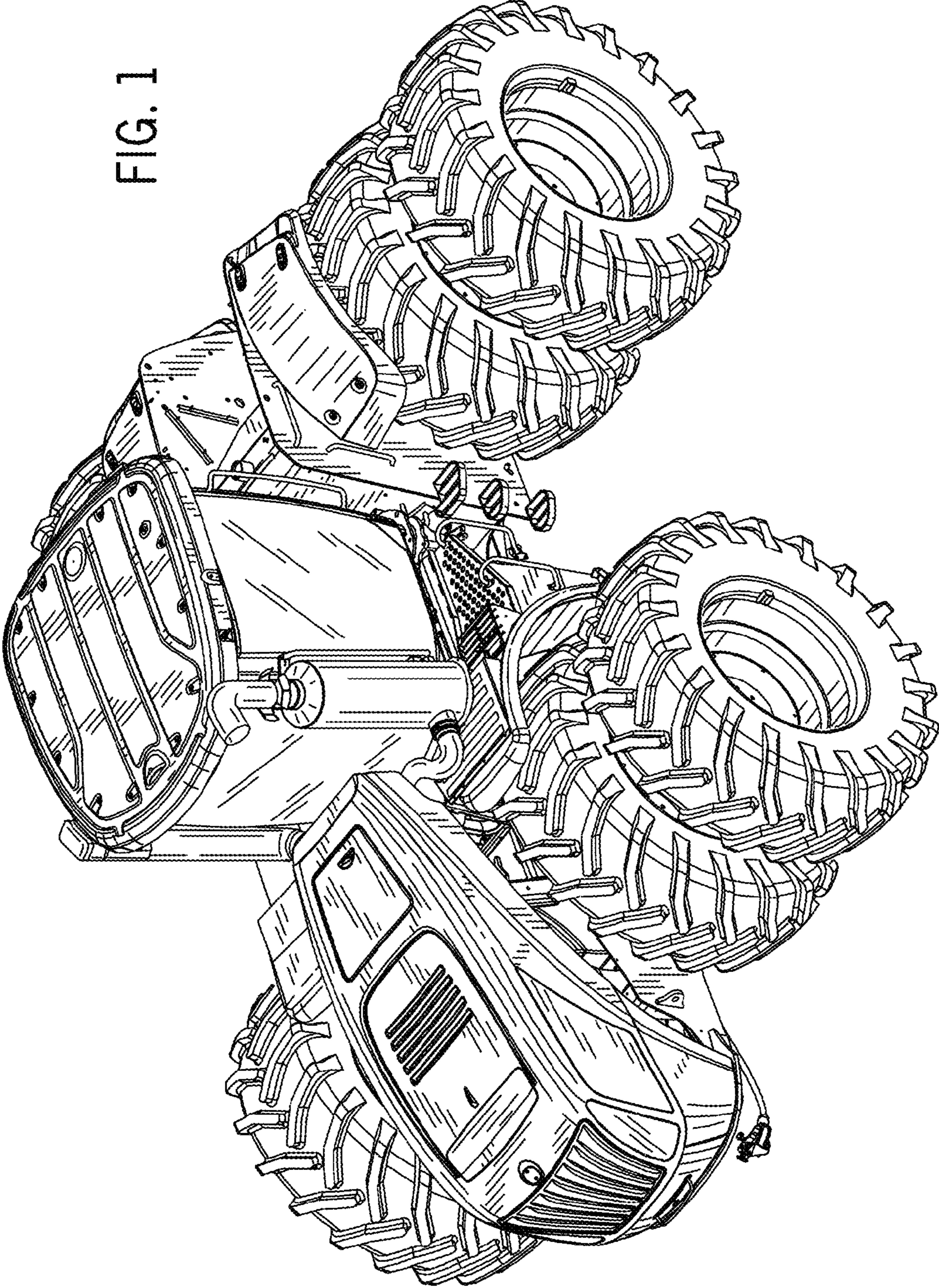


FIG. 1



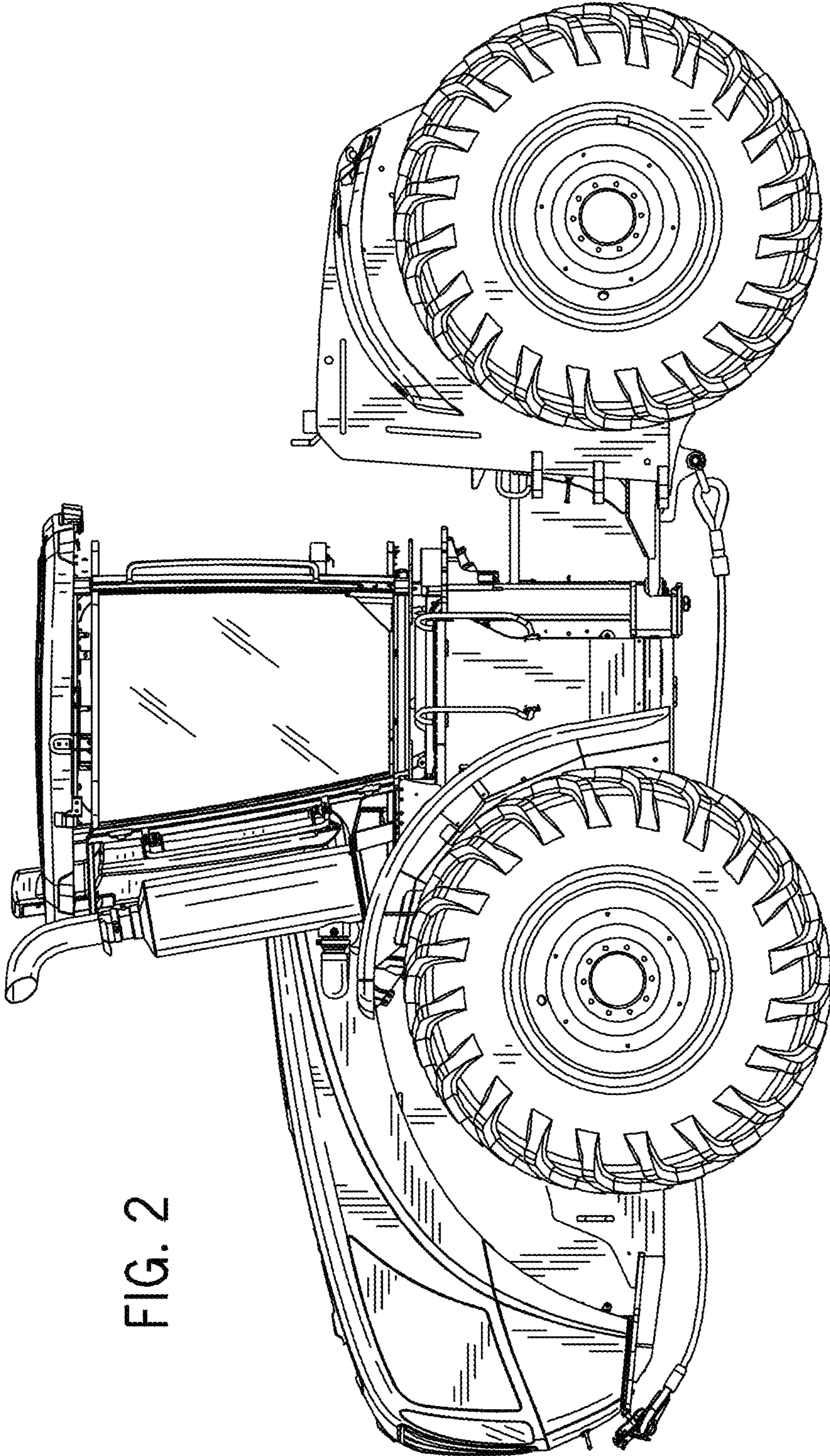


FIG. 2

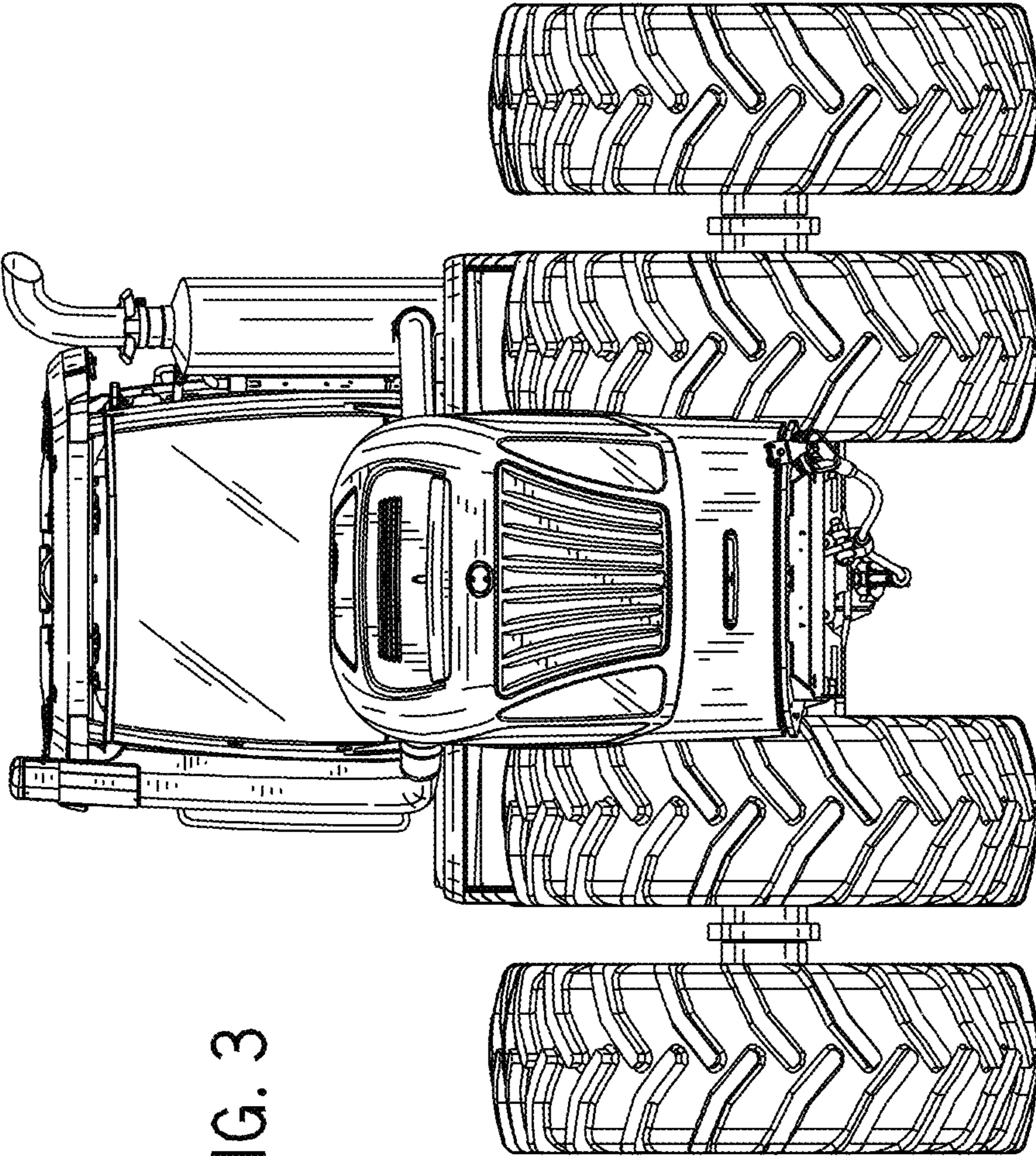


FIG. 3

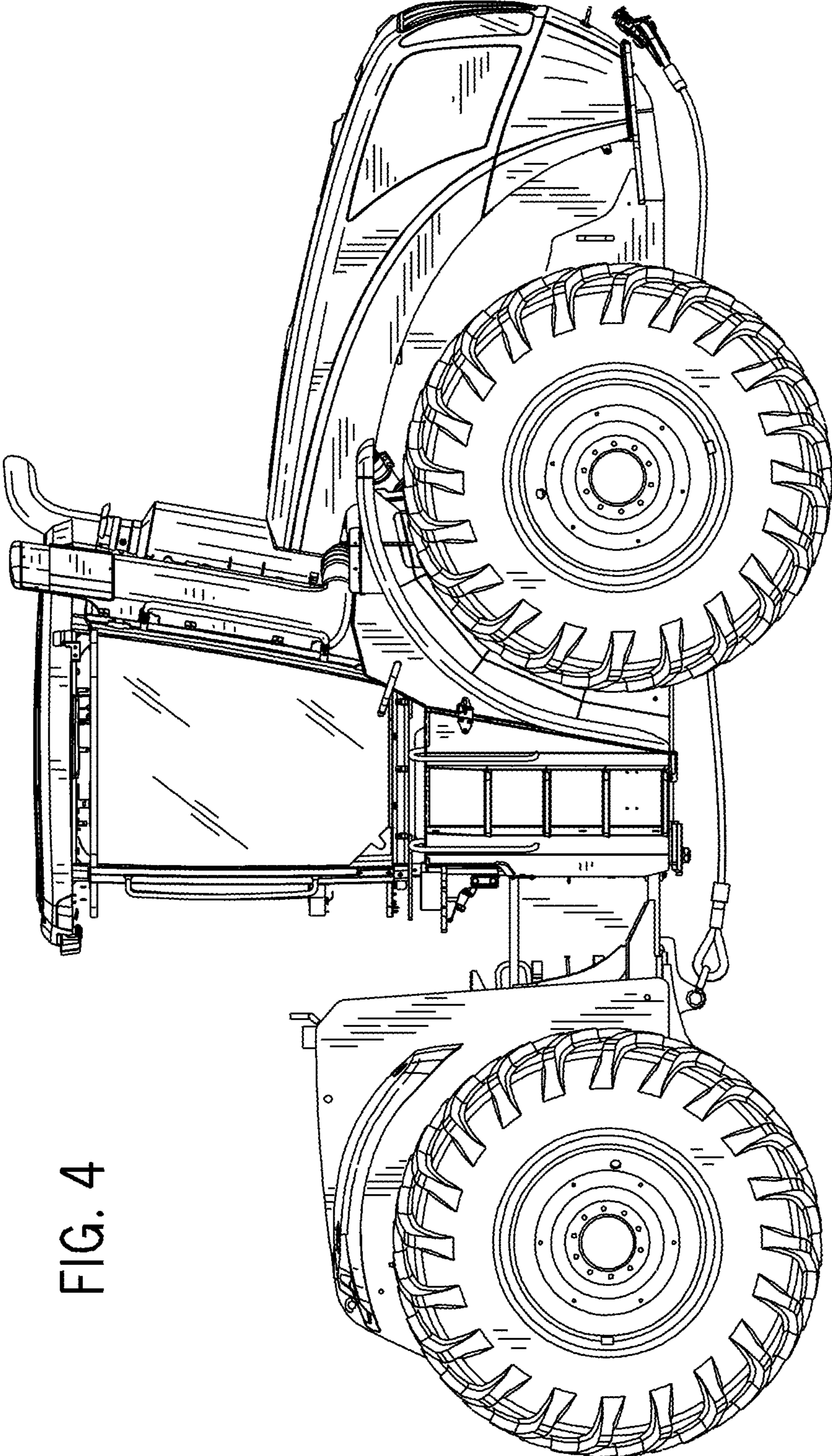


FIG. 4

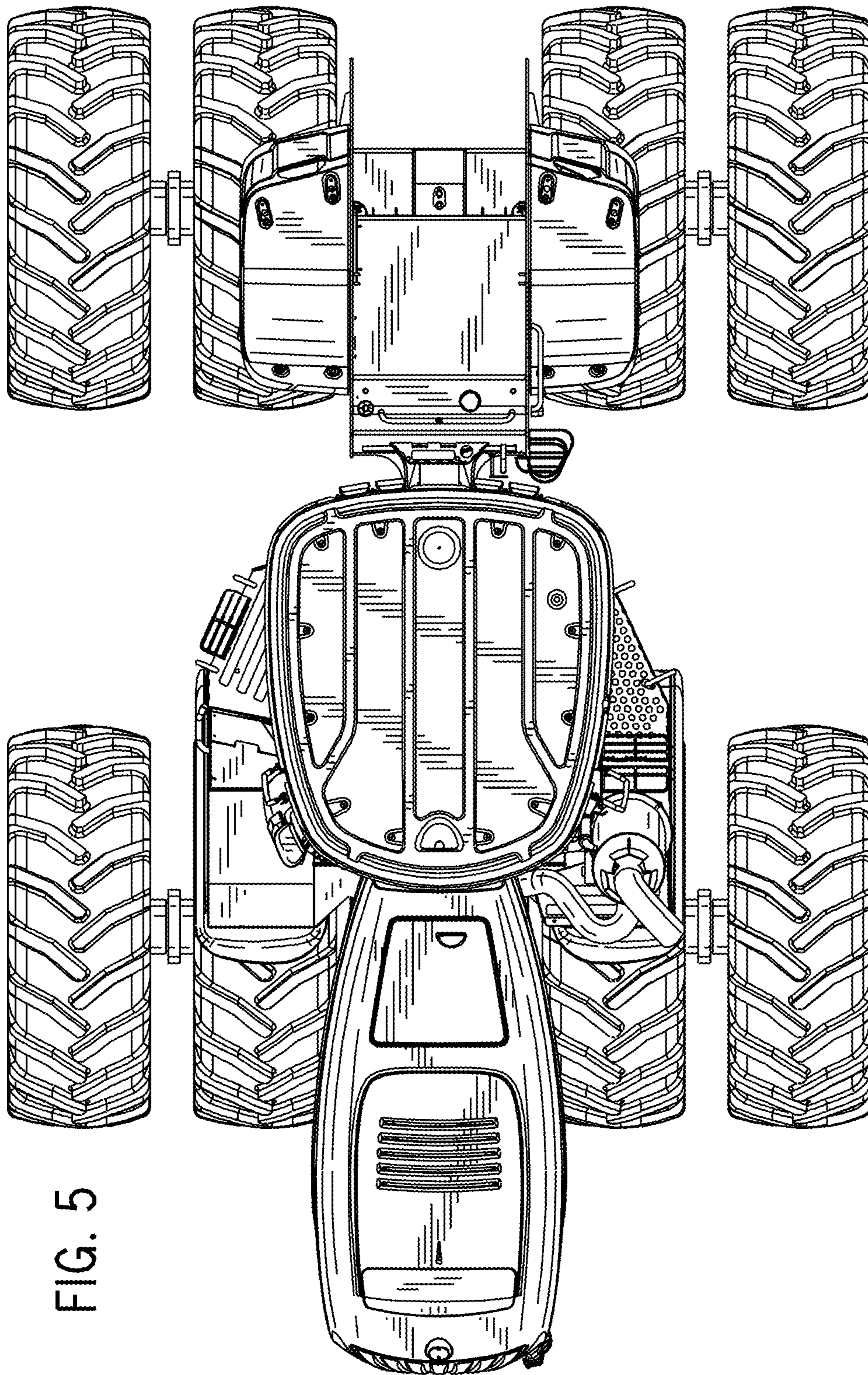


FIG. 5

FIG. 6

