



US00D682318S

(12) **United States Design Patent**  
**Goh**

(10) **Patent No.:** **US D682,318 S**

(45) **Date of Patent:** **\*\* May 14, 2013**

(54) **PUMP**

(75) Inventor: **Chien Ming Goh**, Great Neck, NY (US)

(73) Assignee: **Genadyne Biotechnologies, Inc.**,  
Hicksville, NY (US)

(\*\*) Term: **14 Years**

(21) Appl. No.: **29/419,670**

(22) Filed: **Apr. 30, 2012**

(51) **LOC (9) Cl.** ..... **15-02**

(52) **U.S. Cl.**  
USPC ..... **D15/9**

(58) **Field of Classification Search** ..... D15/7-9;  
D23/231, 232, 225; 417/60, 235, 265, 321,  
417/355, 358, 363, 359, 410.1, 415-416,  
417/405, 900; 60/408, 412; 184/26-37;  
415/140-147; 123/495, 509

See application file for complete search history.

(56) **References Cited**

U.S. PATENT DOCUMENTS

D551,681	S	*	9/2007	Rhea et al.	.....	D15/9
D578,551	S	*	10/2008	Bonzer	.....	D15/9
D589,532	S	*	3/2009	Ehrlich et al.	.....	D15/7
D623,199	S	*	9/2010	Tu	.....	D15/7
D624,093	S	*	9/2010	Lu	.....	D15/7

\* cited by examiner

*Primary Examiner* — Ralf Seifert

(74) *Attorney, Agent, or Firm* — Collard & Roe, P.C.

(57) **CLAIM**

The ornamental design for a pump, as shown and described.

**DESCRIPTION**

FIG. 1 shows a front perspective view thereof;  
FIG. 2 shows a front view thereof;  
FIG. 3 shows a back view of the pump;  
FIG. 4 shows a left side view of the pump based upon the orientation of FIG. 2;  
FIG. 5 is a right side view of the pump based upon the orientation of FIG. 2;  
FIG. 6 is a top view based upon the orientation of FIG. 2; and,  
FIG. 7 is a bottom view based upon the orientation of FIG. 2.

**1 Claim, 7 Drawing Sheets**

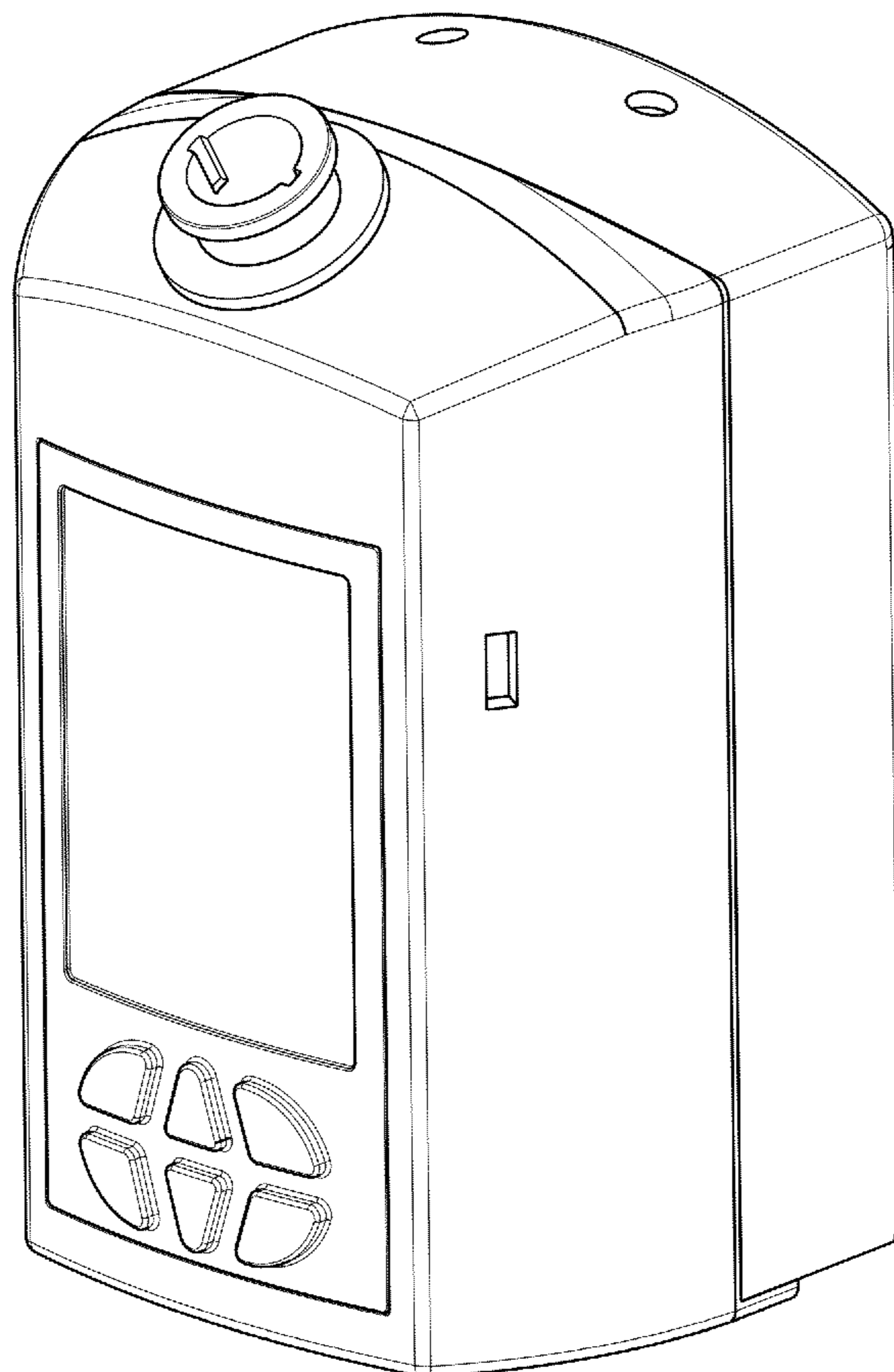


FIG. 1

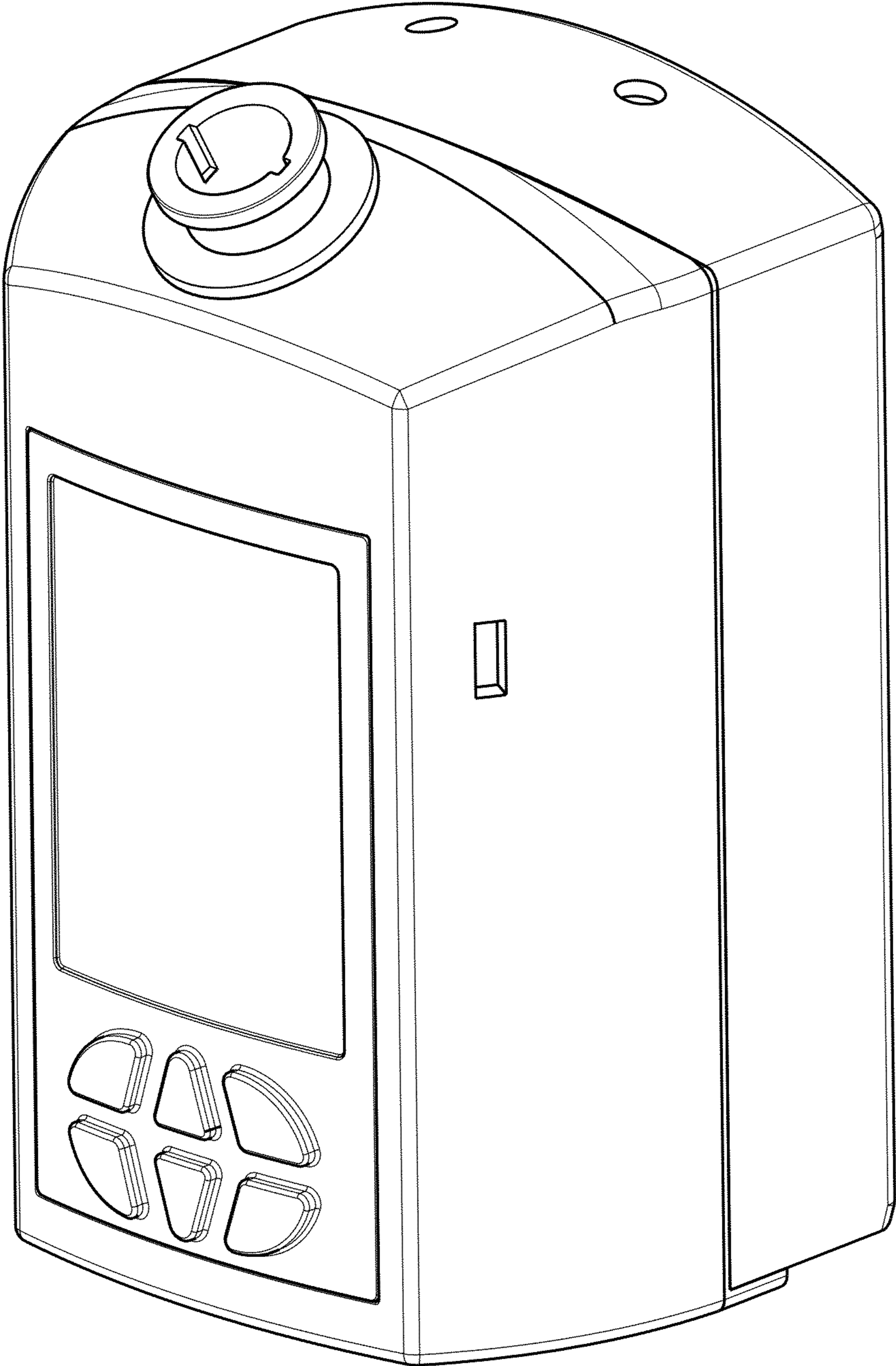


FIG. 2

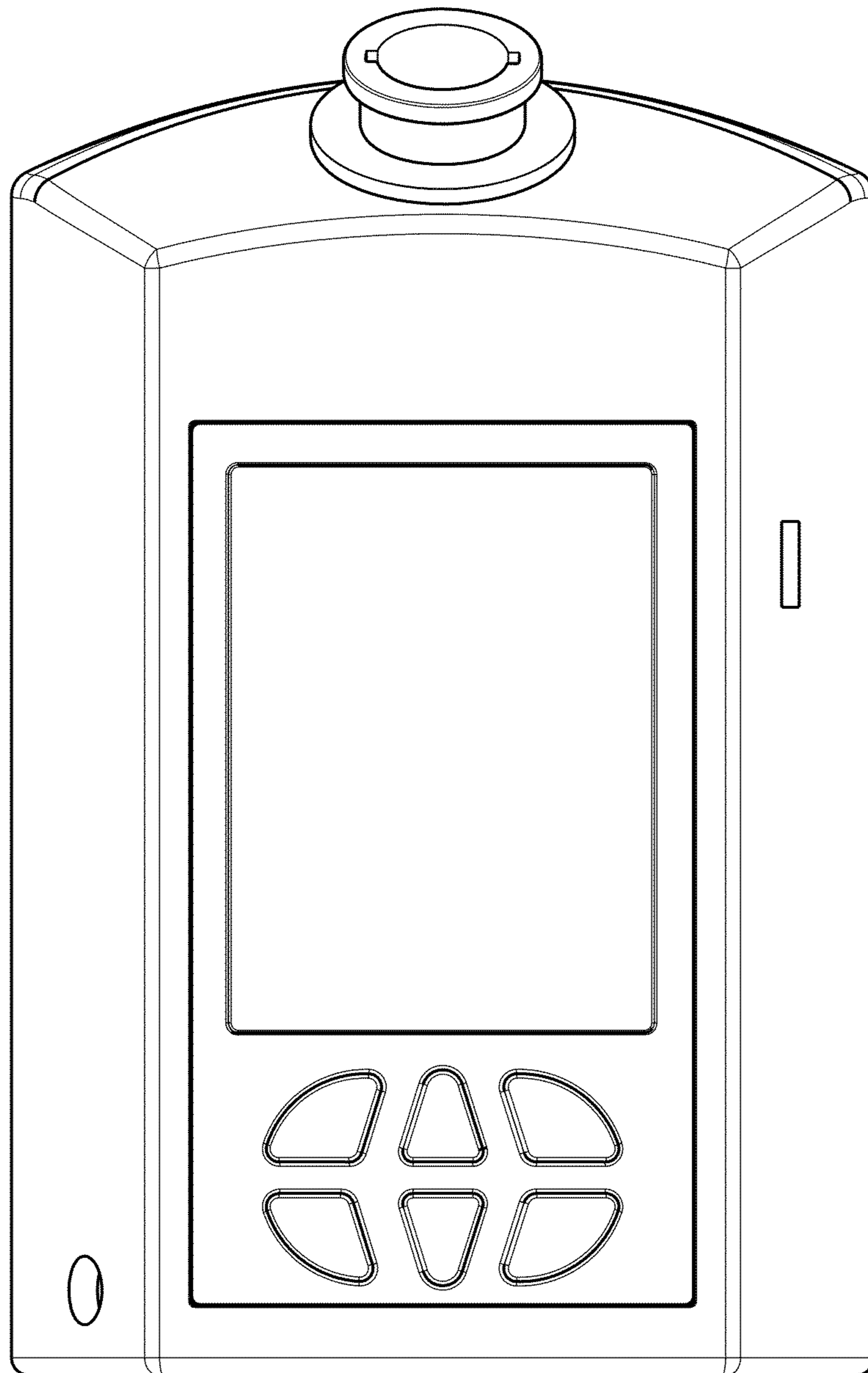


FIG. 3

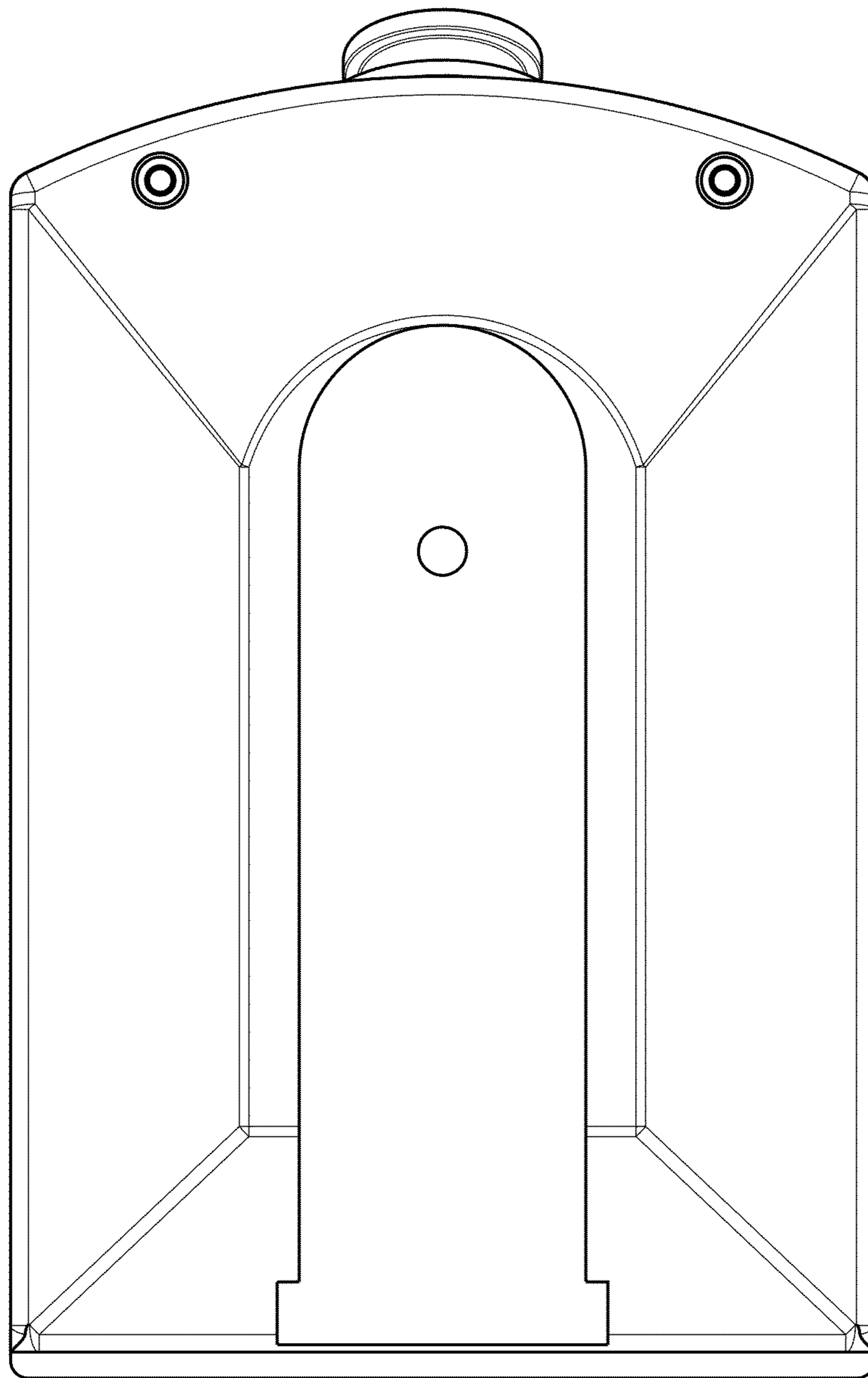


FIG. 4

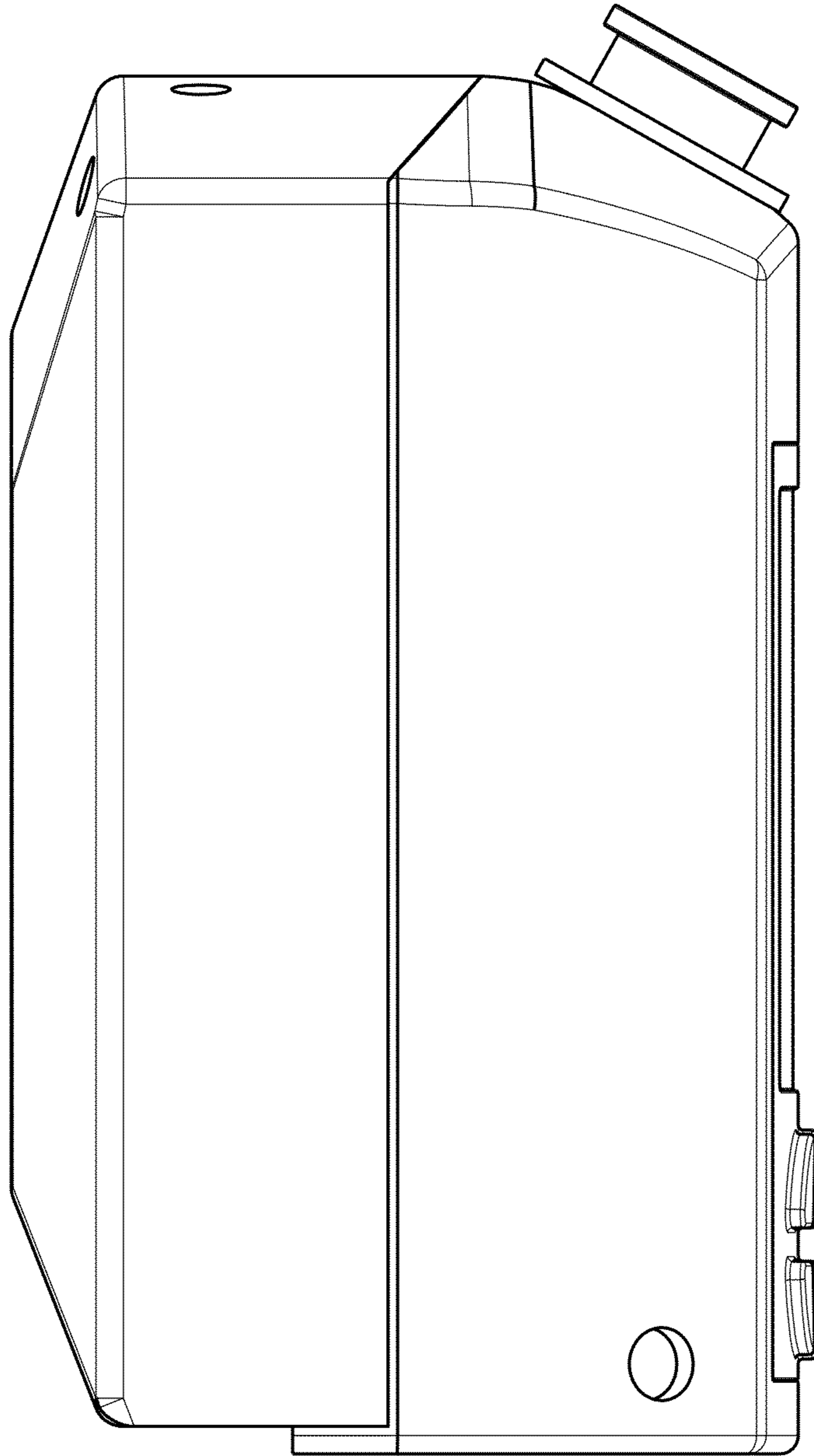


FIG. 5

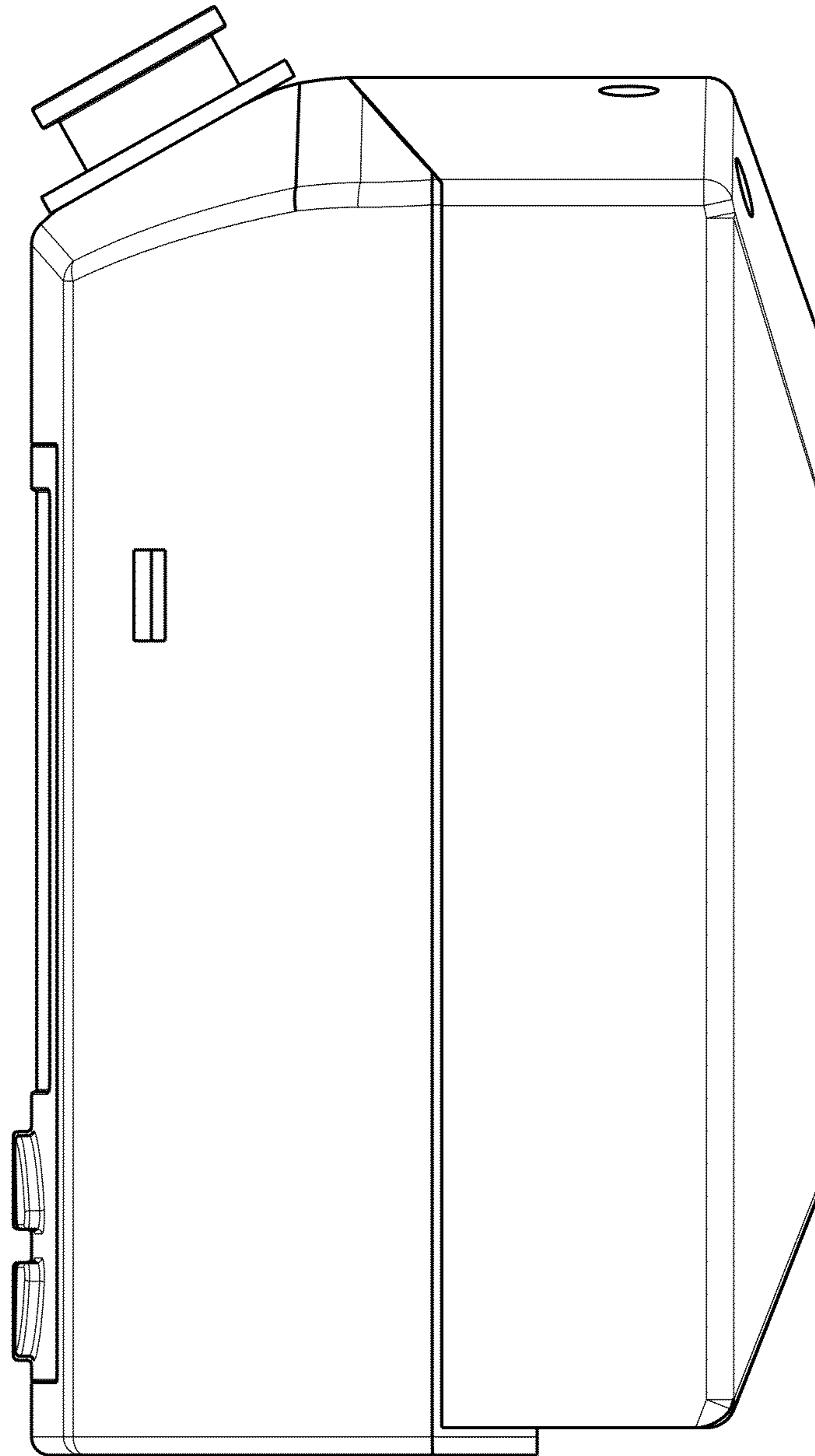


FIG. 6

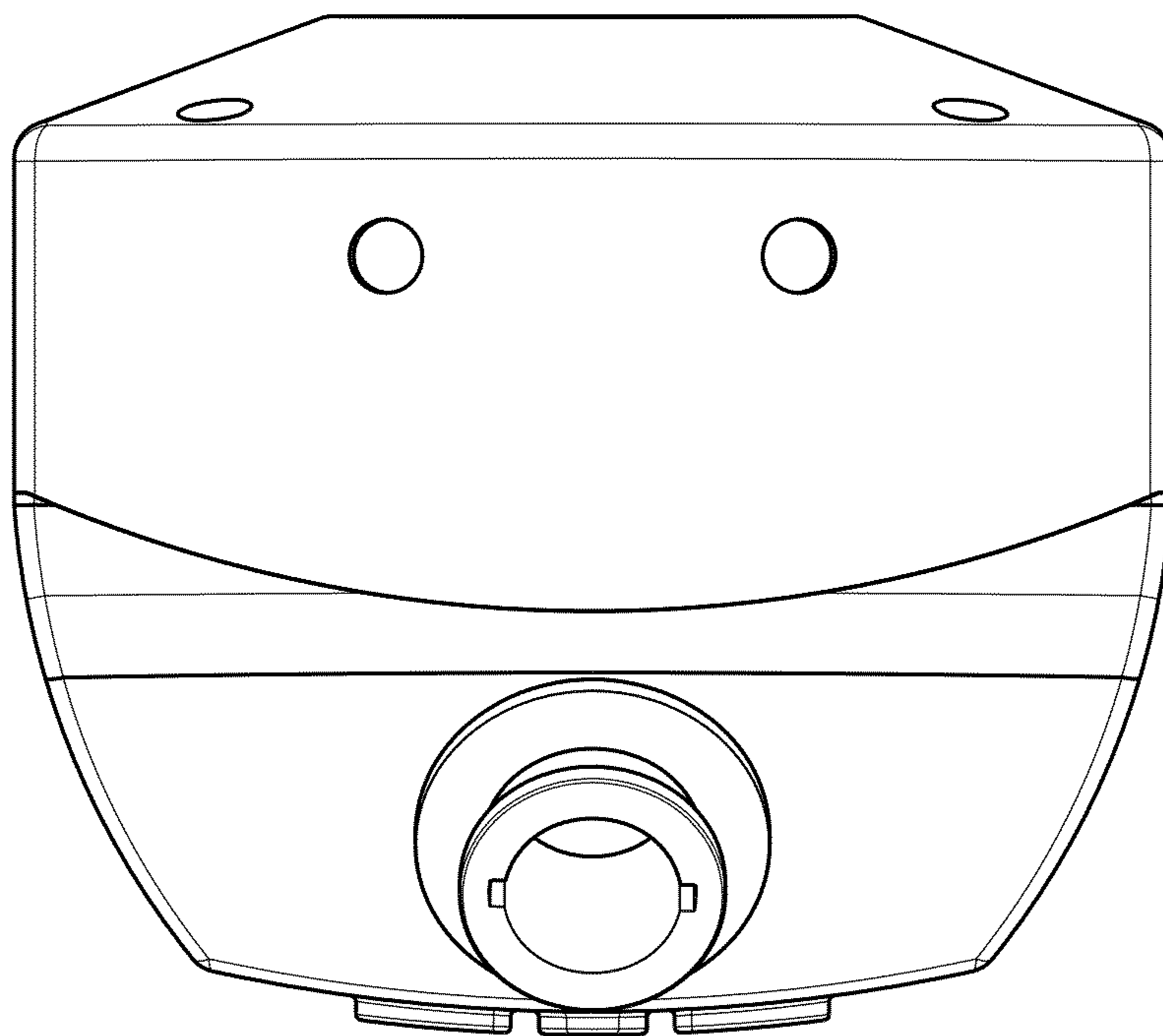


FIG. 7

