



US00D682317S

(12) **United States Design Patent**
Carruth et al.

(10) **Patent No.:** **US D682,317 S**
(45) **Date of Patent:** **** May 14, 2013**

(54) **PLUNGER ADAPTER**

(75) Inventors: **Don V. Carruth**, Midland, TX (US);
Jyothi Swaroop Samayamantula,
Midland, TX (US)

(73) Assignee: **Don V. Carruth**, Midland, TX (US)

(**) Term: **14 Years**

(21) Appl. No.: **29/425,948**

(22) Filed: **Jun. 28, 2012**

(51) **LOC (9) Cl.** **15-02**

(52) **U.S. Cl.**
USPC **D15/7**

(58) **Field of Classification Search** D15/7-9;
D23/231, 232, 225; 417/60, 235, 265, 321,
417/355, 358, 363, 359, 410.1, 415-416,
417/405, 900, 43, 554; 60/408, 412; 184/26-37;
415/140-147; 123/495, 509; 166/105.1,
166/105.2, 311

See application file for complete search history.

(56) **References Cited**

U.S. PATENT DOCUMENTS

54,484	A	5/1886	Armstrong	
1,455,850	A	8/1921	Penrod et al.	
1,933,595	A	1/1933	Kapp	
2,635,554	A	9/1950	Haley	
3,090,324	A	5/1963	Schmidt	
4,194,567	A	3/1980	Marais	
D355,199	S *	2/1995	Ousey	D15/7
D461,827	S *	8/2002	Koebbe	D15/7
D472,558	S *	4/2003	MacPherson et al.	D15/7
6,543,543	B2	4/2003	Muth	
6,746,222	B2 *	6/2004	Skillman	417/555.2

D520,521	S *	5/2006	Angeletta	D15/7
7,143,829	B2 *	12/2006	Booth	166/311
D557,286	S *	12/2007	Pedrollo	D15/7
7,428,923	B2	9/2008	Ford	
D583,389	S *	12/2008	Bilger	D15/7
D584,320	S *	1/2009	Huang	D15/7
D589,984	S *	4/2009	Roesler	D15/7
D623,200	S *	9/2010	Fulkerson et al.	D15/7
D624,561	S *	9/2010	Yu	D15/7
7,909,589	B2	3/2011	Williams	
D641,382	S *	7/2011	Hawes et al.	D15/7
D643,442	S *	8/2011	Sato et al.	D15/9
D652,059	S *	1/2012	Sato et al.	D15/9
2005/0265875	A1	12/2005	Williams et al.	
2008/0112826	A1	5/2008	Ford	

* cited by examiner

Primary Examiner — Ralf Seifert

(74) *Attorney, Agent, or Firm* — Grady K. Bergen; Griggs Bergen LLP

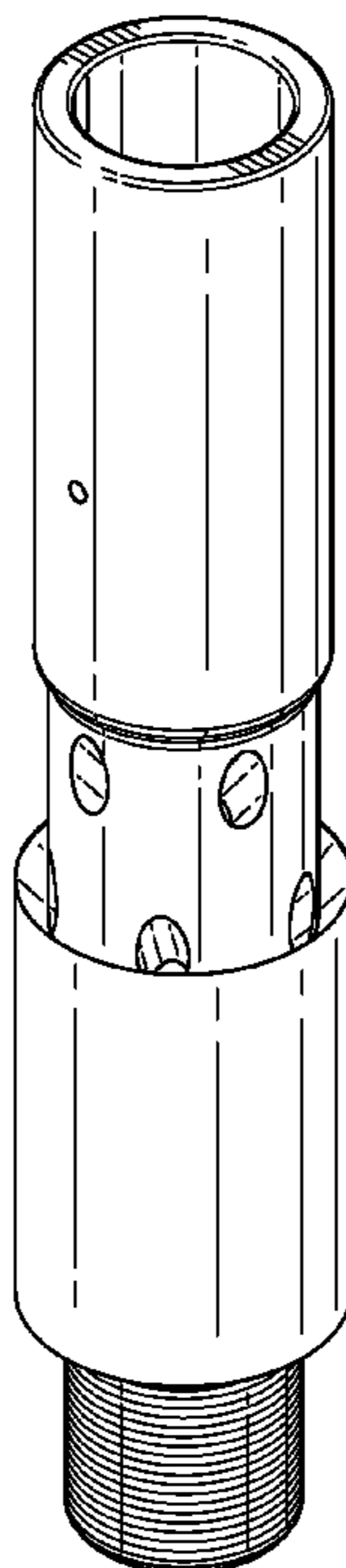
(57) **CLAIM**

The ornamental design for a plunger adapter, as shown and described.

DESCRIPTION

FIG. 1 is a side perspective view of a plunger adapter
FIG. 2 is a front side elevational view of the plunger adapter of FIG. 1;
FIG. 3 is a rear side elevational view of the plunger adapter of FIG. 1;
FIG. 4 is a top plan view of the plunger adapter of FIG. 1; and,
FIG. 5 is a bottom plan view of the plunger adapter of FIG. 1.
The broken lines are included for the purpose of illustrating portions of the plunger adapter that form no part of the claimed design.

1 Claim, 2 Drawing Sheets



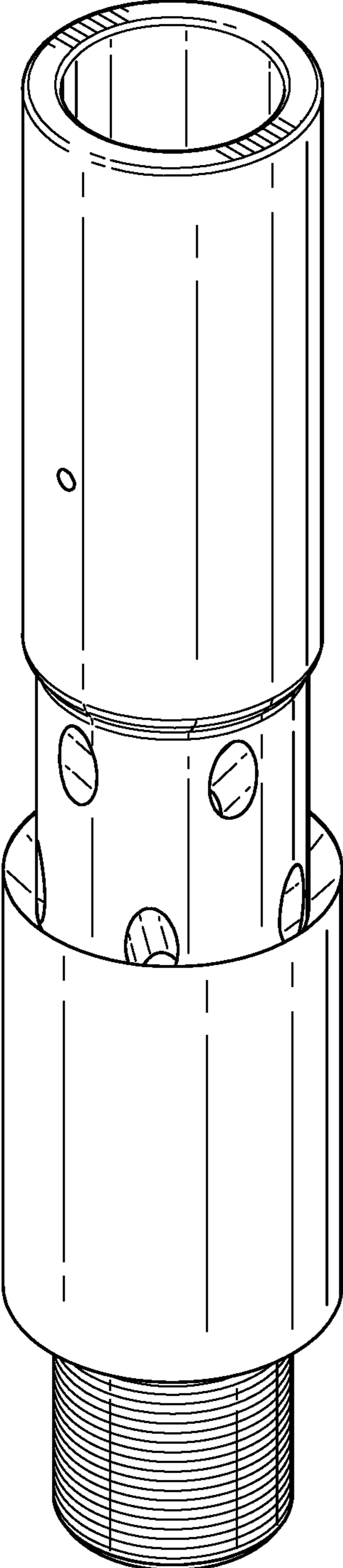


FIG. 1

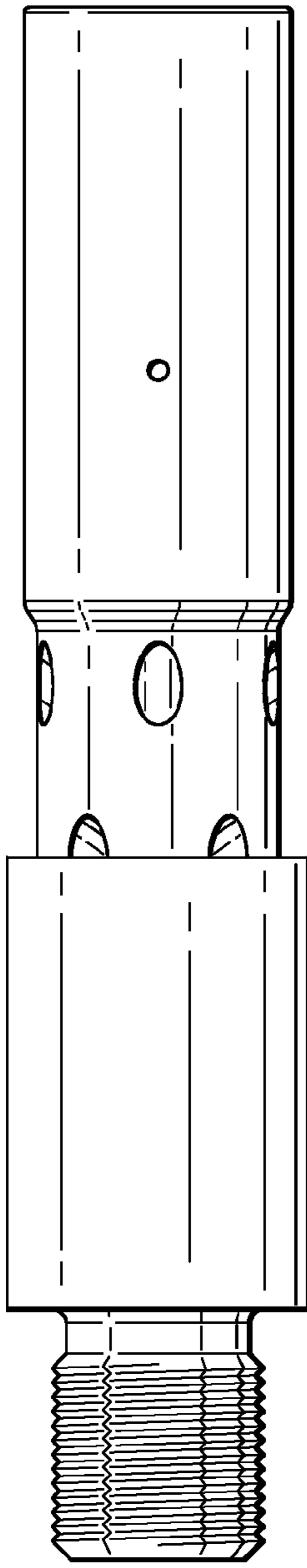


FIG. 2

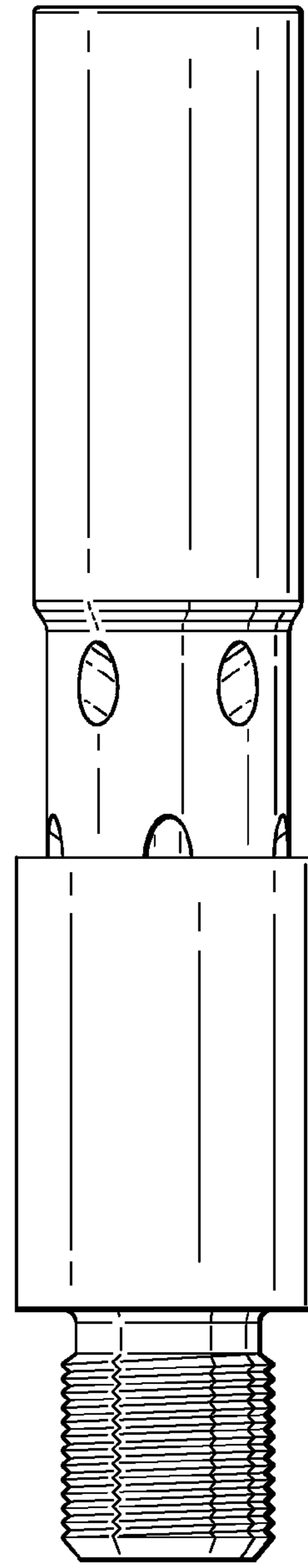


FIG. 3

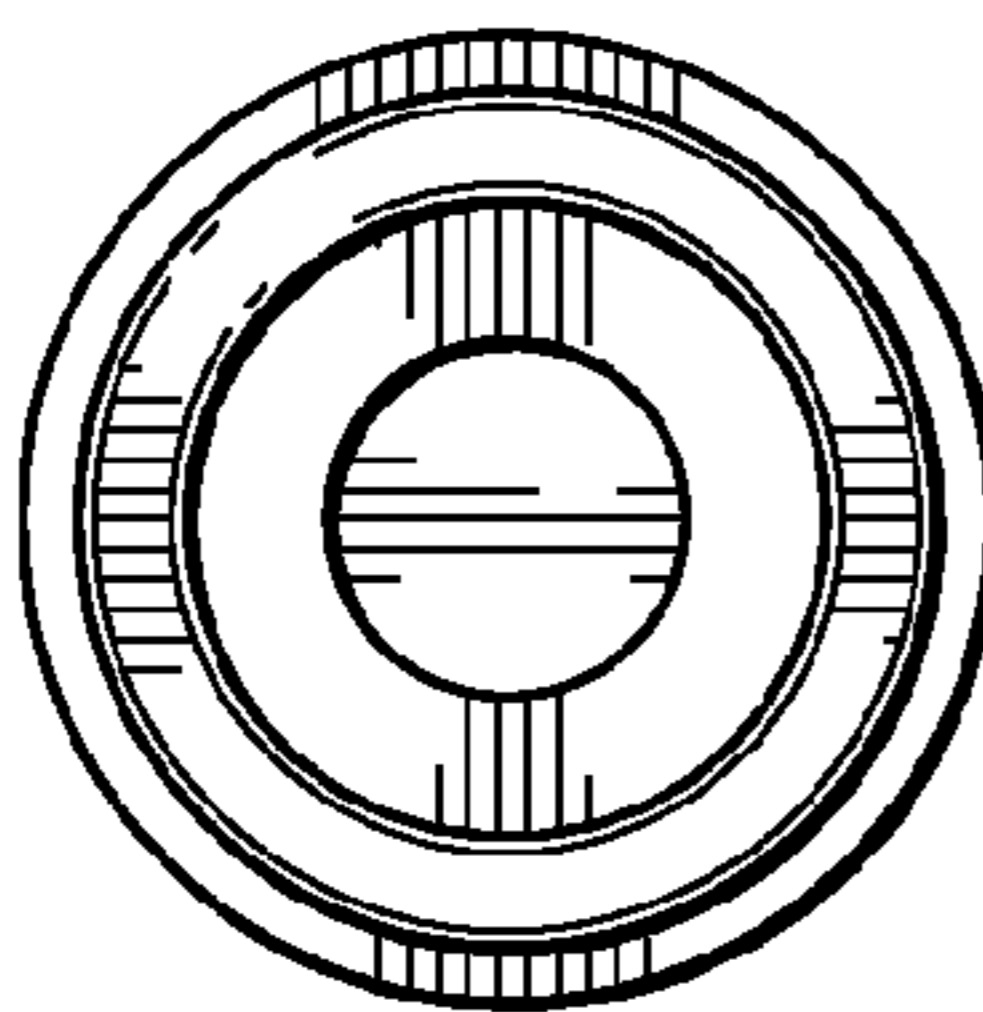


FIG. 4

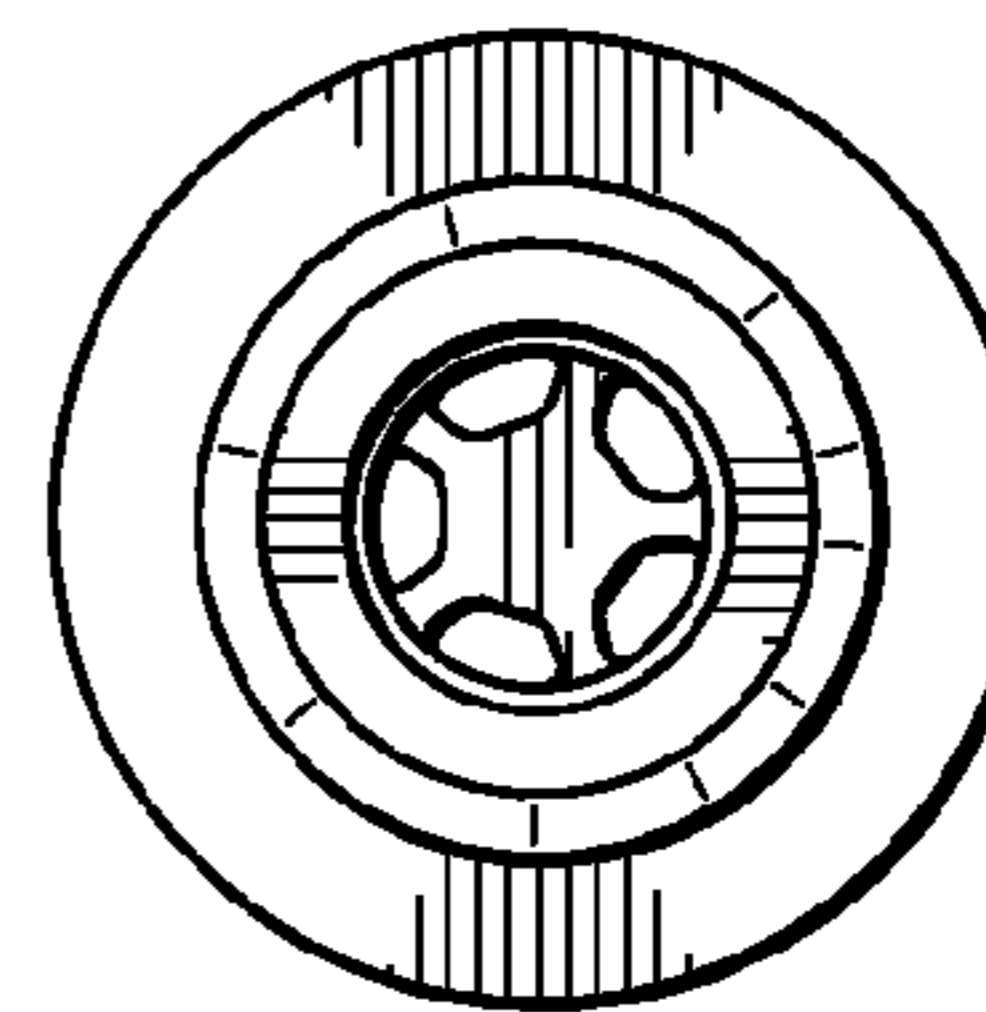


FIG. 5

UNITED STATES PATENT AND TRADEMARK OFFICE
CERTIFICATE OF CORRECTION

PATENT NO. : D682,317 S
APPLICATION NO. : 29/425948
DATED : May 14, 2013
INVENTOR(S) : Carruth et al.

Page 1 of 4

It is certified that error appears in the above-identified patent and that said Letters Patent is hereby corrected as shown below:

Please delete the title page and insert the title page showing an illustrative figure as attached.

In the Drawings

Please Delete drawing sheets 1-2 and insert drawing sheets 1-2 with figures 1-5 as attached.

Signed and Sealed this
Second Day of July, 2013



Teresa Stanek Rea
Acting Director of the United States Patent and Trademark Office

(12) **United States Design Patent**
Carruth et al.

(10) **Patent No.:** **US D682,317 S**
(45) **Date of Patent:** **** May 14, 2013**

(54) **PLUNGER ADAPTER**

(75) Inventors: **Don V. Carruth**, Midland, TX (US);
Jyothi Swaroop Samayamantula,
Midland, TX (US)

(73) Assignee: **Don V. Carruth**, Midland, TX (US)

(**) Term: **14 Years**

(21) Appl. No.: **29/425,948**

(22) Filed: **Jun. 28, 2012**

(51) **LOC (9) Cl.** **15-02**

(52) **U.S. Cl.**
USPC **D15/7**

(58) **Field of Classification Search** **D15/7 9;**
D23/231, 232, 225; 417/60, 235, 265, 321,
417/355, 358, 363, 359, 410.1, 415-416,
417/405, 900, 43, 554; 60/408, 412; 184/26-37;
415/140-147; 123/495, 509; 166/105.1,
166/105.2, 311

See application file for complete search history.

(56) **References Cited**

U.S. PATENT DOCUMENTS

54,484	A	5/1886	Armstrong	
1,455,850	A	8/1921	Pentod et al.	
1,933,595	A	1/1933	Kapp	
2,635,554	A	9/1950	Haley	
3,090,324	A	5/1963	Schmidt	
4,194,567	A	3/1980	Mauis	
D355,199	S *	2/1995	Onsey	D15/7
D461,827	S *	8/2002	Koebbe	D15/7
D472,558	S *	4/2003	MacPherson et al.	D15/7
6,543,543	B2	4/2003	Muth	
6,746,222	B2 *	6/2004	Skillman	417/555.2

D520,521	S *	5/2006	Angeletta	D15/7
7,143,829	B2 *	12/2006	Booth	166/311
D557,286	S *	12/2007	Pedrollo	D15/7
7,428,923	B2	9/2008	Ford	
D583,389	S *	12/2008	Bilger	D15/7
D584,320	S *	1/2009	Huang	D15/7
D589,984	S *	4/2009	Roesler	D15/7
D623,200	S *	9/2010	Fulkerson et al.	D15/7
D624,561	S *	9/2010	Yu	D15/7
7,909,589	B2	3/2011	Williams	
D641,382	S *	7/2011	Hawes et al.	D15/7
D643,442	S *	8/2011	Sato et al.	D15/9
D652,059	S *	1/2012	Sato et al.	D15/9
2005,0265875	A1	12/2005	Williams et al.	
2008/0112826	A1	5/2008	Ford	

* cited by examiner

Primary Examiner – Ralf Seifert

(74) *Attorney, Agent, or Firm* – Grady K. Bergen; Griggs Bergen LLP

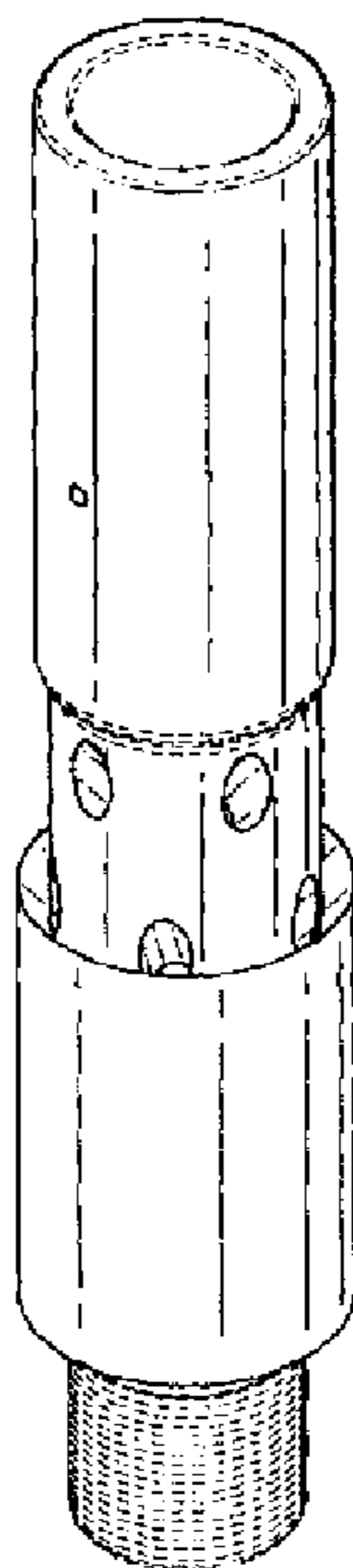
(57) **CLAIM**

The ornamental design for a plunger adapter, as shown and described.

DESCRIPTION

FIG. 1 is a side perspective view of a plunger adapter
FIG. 2 is a front side elevational view of the plunger adapter of FIG. 1;
FIG. 3 is a rear side elevational view of the plunger adapter of FIG. 1;
FIG. 4 is a top plan view of the plunger adapter of FIG. 1; and
FIG. 5 is a bottom plan view of the plunger adapter of FIG. 1.
The broken lines are included for the purpose of illustrating portions of the plunger adapter that form no part of the claimed design.

1 Claim, 2 Drawing Sheets



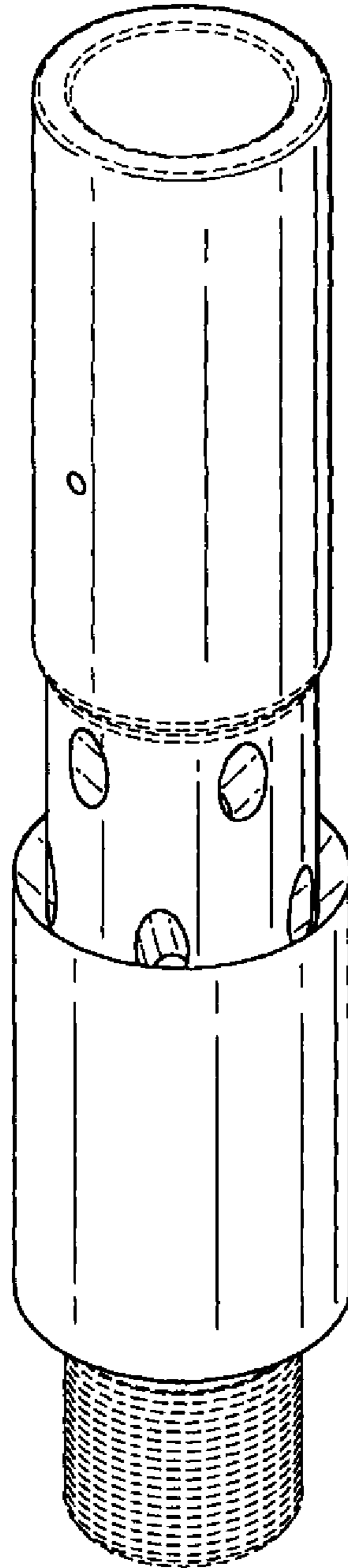


FIG. 1

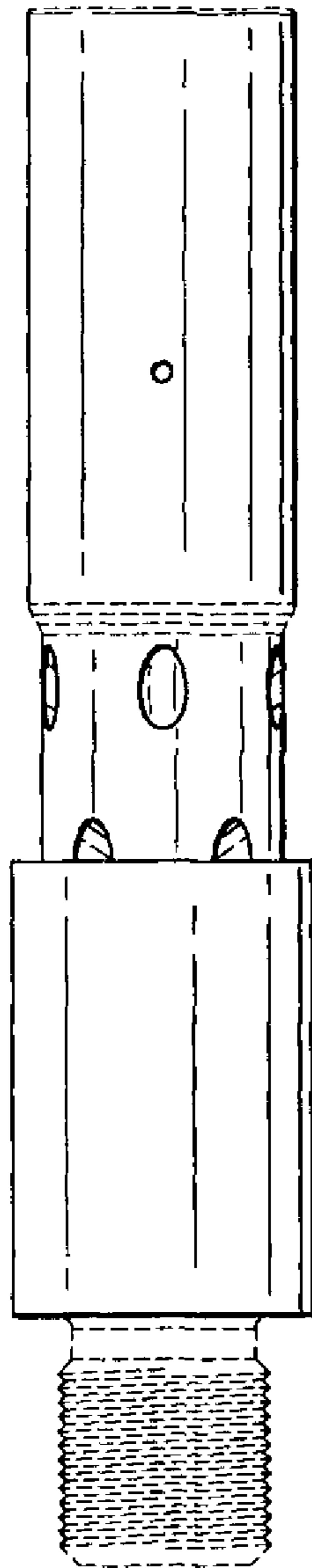


FIG. 2

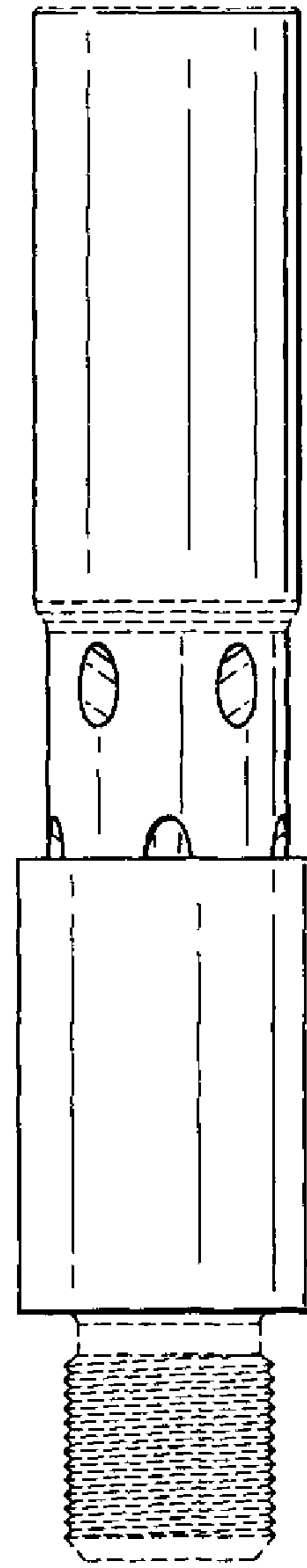


FIG. 3

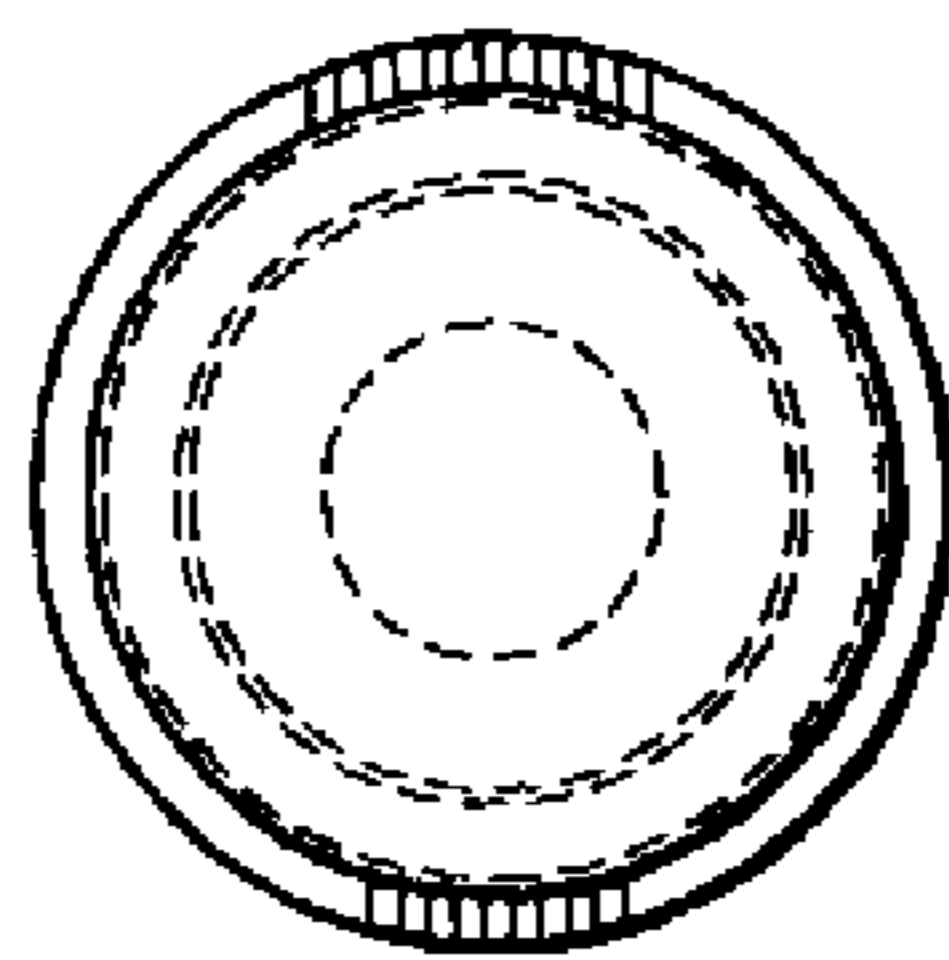


FIG. 4

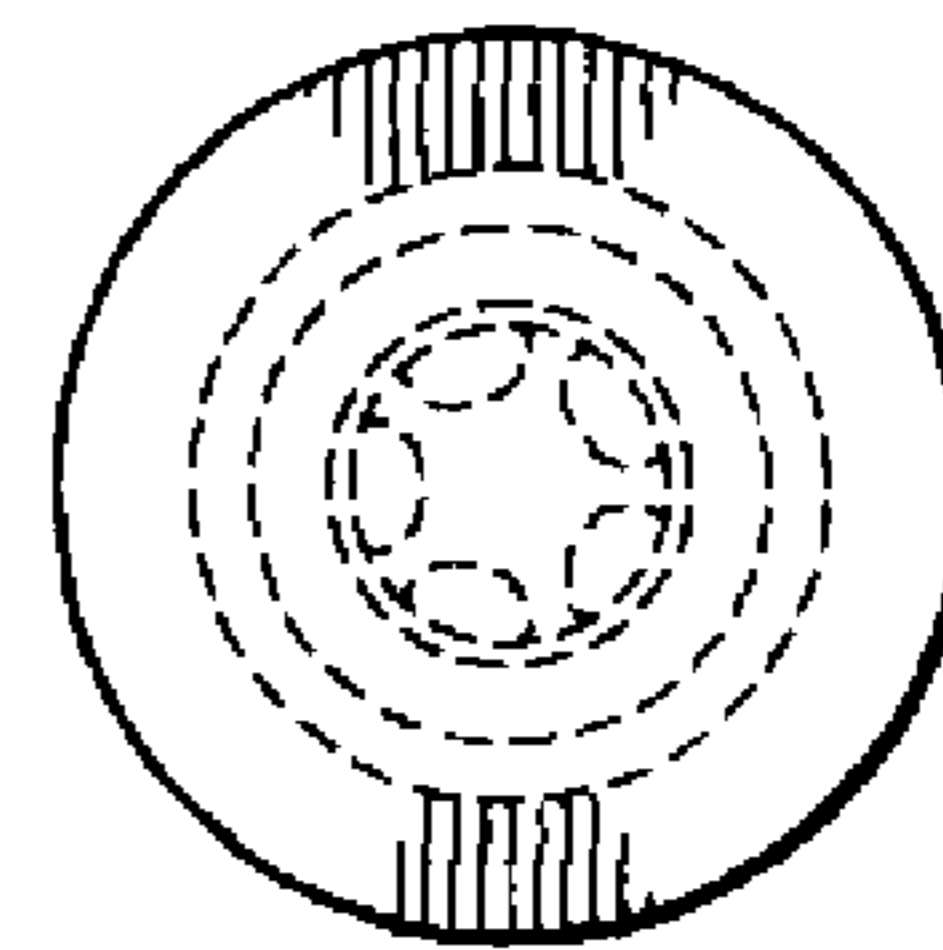


FIG. 5