



US00D682316S

(12) **United States Design Patent**
Rogne et al.

(10) **Patent No.:** **US D682,316 S**

(45) **Date of Patent:** **** May 14, 2013**

(54) **DIAPHRAGM PUMP**

(75) Inventors: **Paul T. Rogne**, Apple Valley, MN (US);
David L. Breeser, Minneapolis, MN
(US)

(73) Assignee: **Graco Minnesota Inc.**, Minneapolis,
MN (US)

(**) Term: **14 Years**

(21) Appl. No.: **29/404,669**

(22) Filed: **Oct. 24, 2011**

(51) **LOC (9) Cl.** **15-02**

(52) **U.S. Cl.**
USPC **D15/7**

(58) **Field of Classification Search** D15/7-9;
D23/231, 232; 417/410.1, 359, 415-416,
417/234, 321, 265, 405, 393; D24/107, 108,
D24/111

See application file for complete search history.

(56) **References Cited**

U.S. PATENT DOCUMENTS

D268,413	S	*	3/1983	Wilden	D15/7
D294,946	S	*	3/1988	Wilden	D15/7
D294,947	S	*	3/1988	Wilden	D15/7
D331,412	S	*	12/1992	Wilden	D15/7
D370,488	S	*	6/1996	Kozumplik et al.	D15/7
D380,218	S	*	6/1997	McKee et al.	D15/7
D388,796	S	*	1/1998	Conti et al.	D15/7

D388,797	S	*	1/1998	Conti et al.	D15/7
5,711,658	A	*	1/1998	Conti et al.	417/393
D400,210	S	*	10/1998	Reynolds et al.	D15/7
5,848,878	A	*	12/1998	Conti et al.	417/393
D435,855	S	*	1/2001	Donelson et al.	D15/7
D484,145	S	*	12/2003	Roberts et al.	D15/7
D515,101	S	*	2/2006	Wiechers et al.	D15/7

OTHER PUBLICATIONS

Graco Saniforce Diaphragm Pump Brochure, depicting earlier product line.

* cited by examiner

Primary Examiner — Ralf Seifert

(74) *Attorney, Agent, or Firm* — Douglas B. Farrow

(57) **CLAIM**

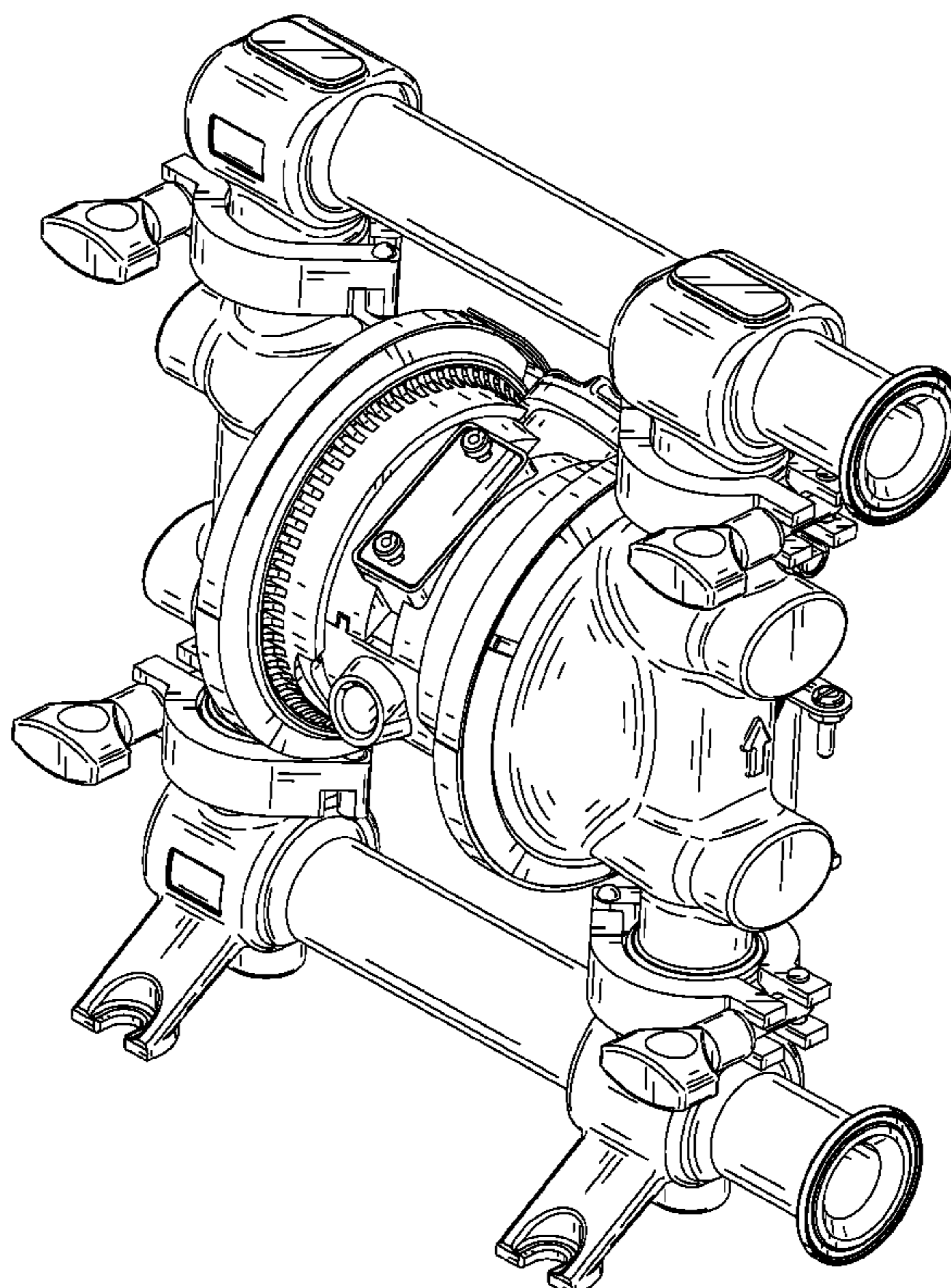
The ornamental design for a diaphragm pump, as shown and described.

DESCRIPTION

FIG. 1 is a front right isometric view of the diaphragm pump; FIG. 2 is a top view thereof; FIG. 3 is a front view thereof; FIG. 4 is a right side view thereof; FIG. 5 is a left side view thereof; FIG. 6 is a rear view thereof; and, FIG. 7 is a bottom view thereof.

The broken lines in FIGS. 3 and 7 are included for the purpose of illustrating portions of the diaphragm pump that form no part of the claimed design.

1 Claim, 7 Drawing Sheets



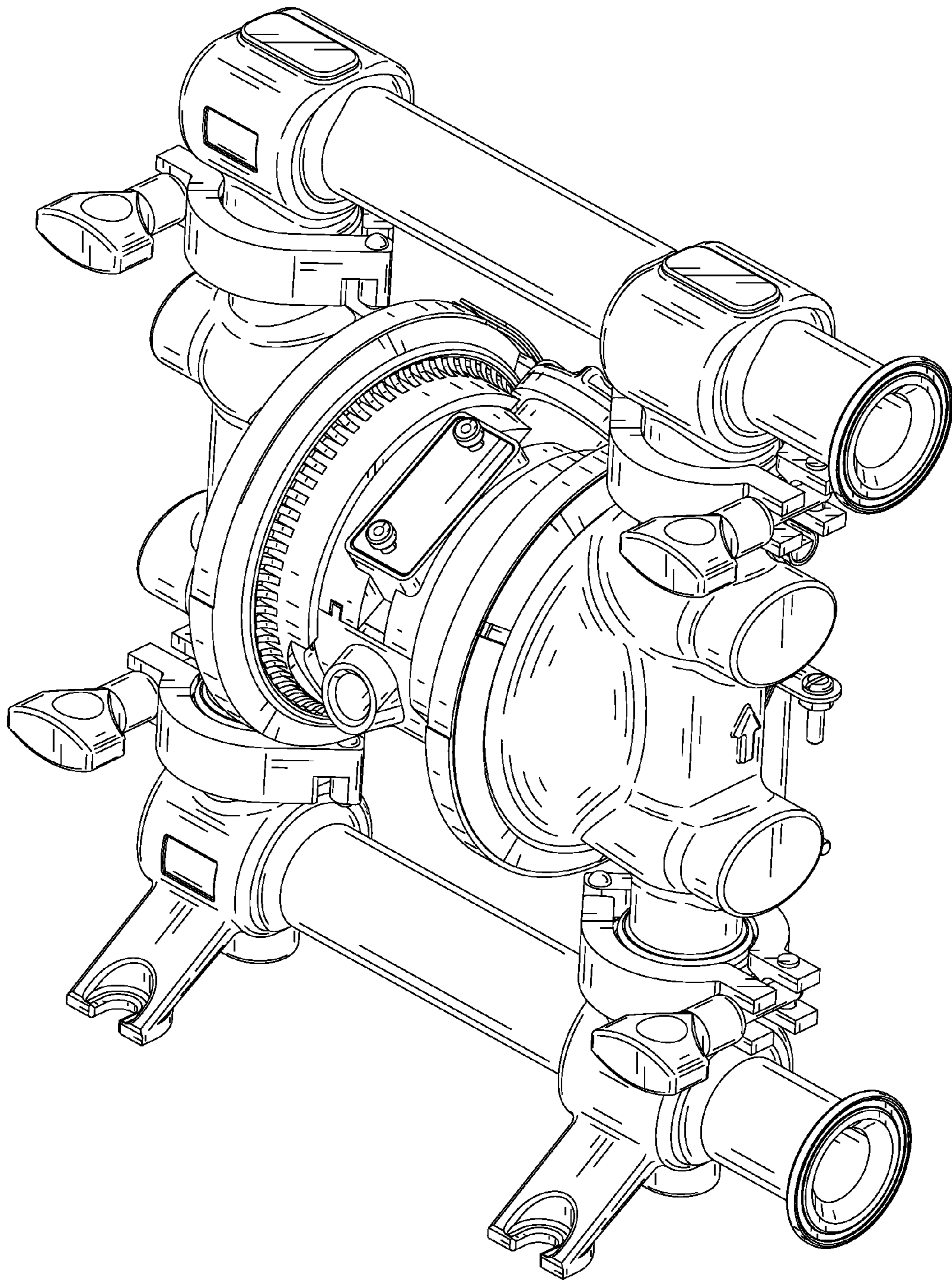


FIG. 1

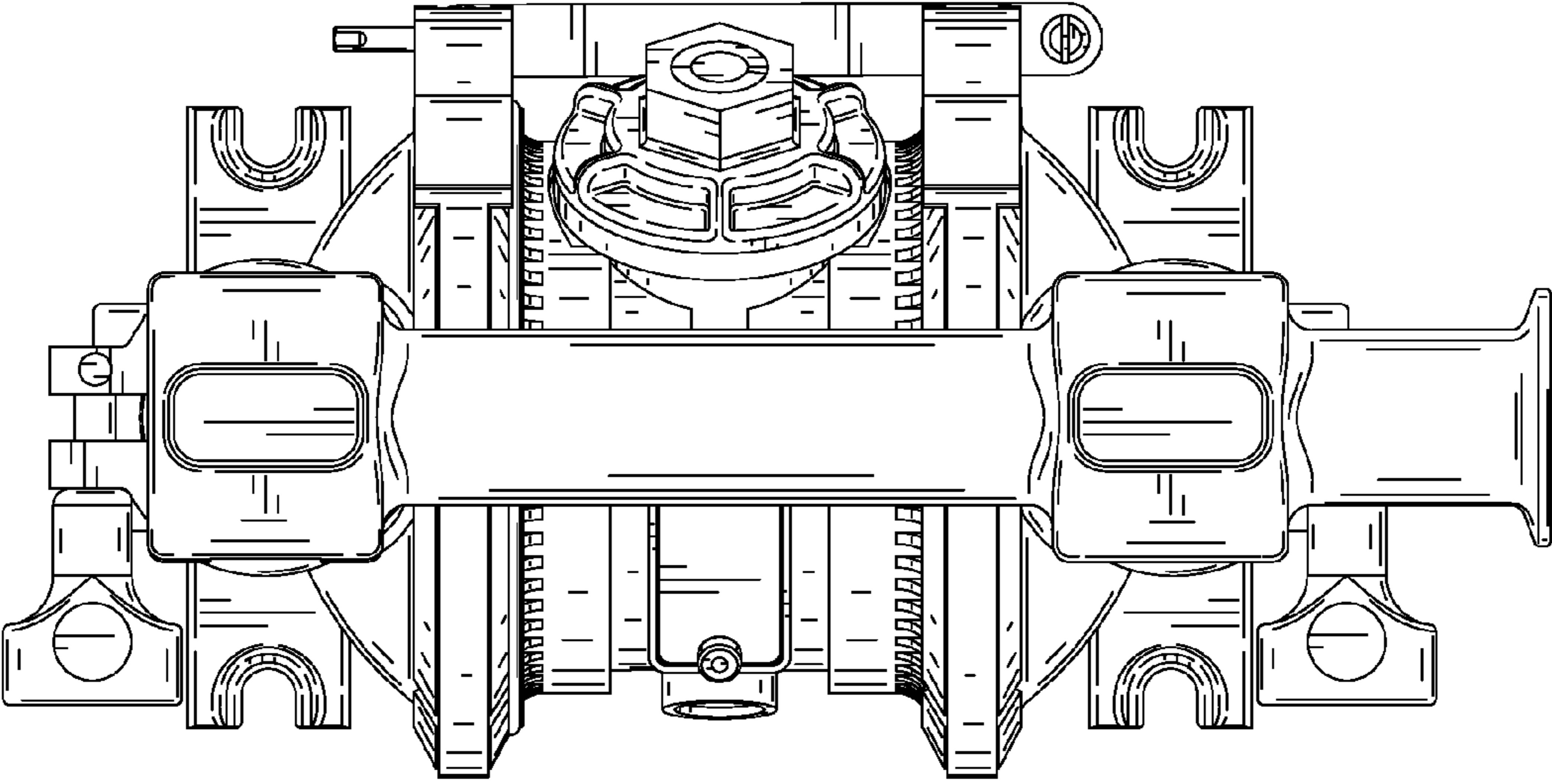


FIG. 2

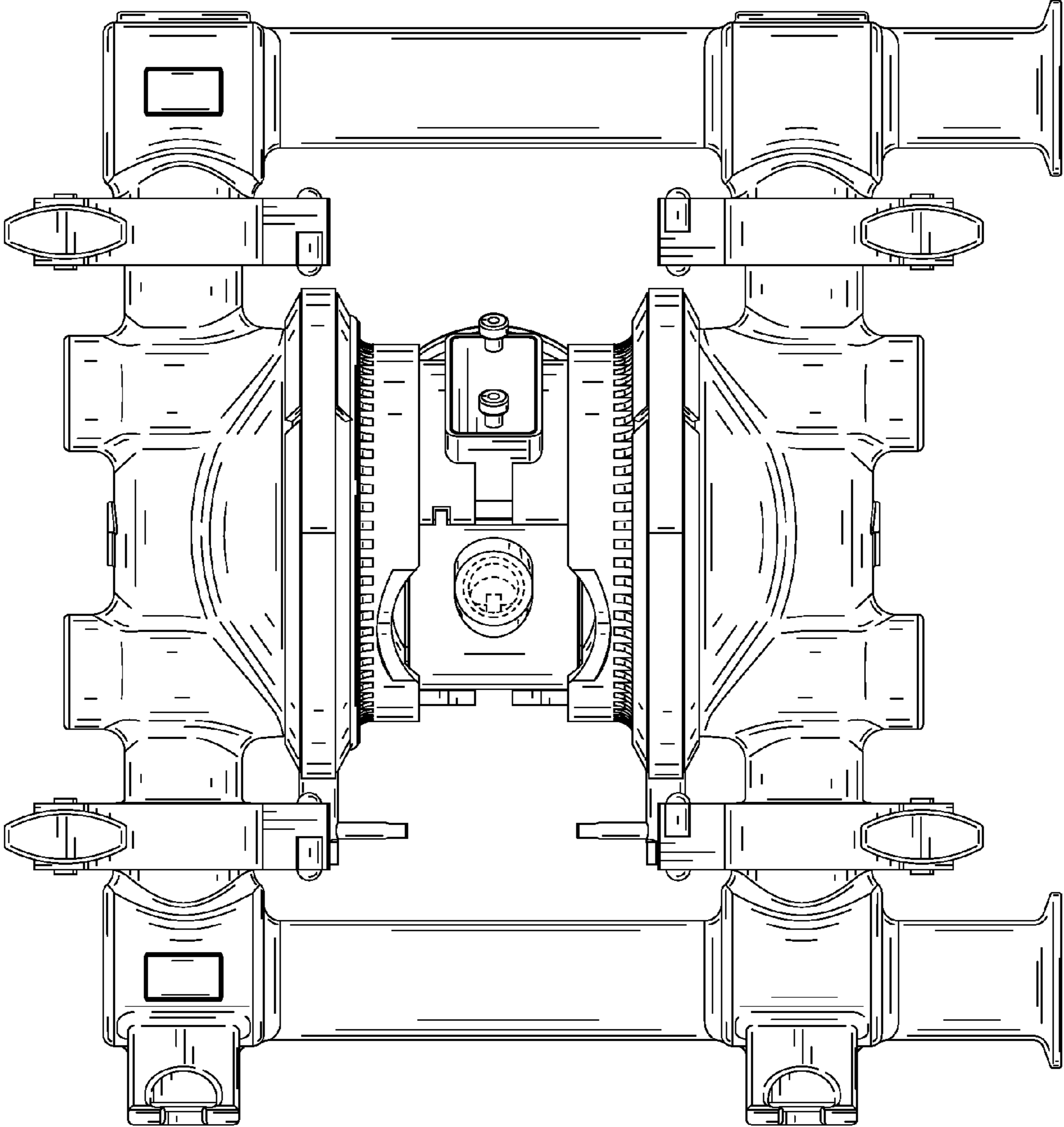


FIG. 3

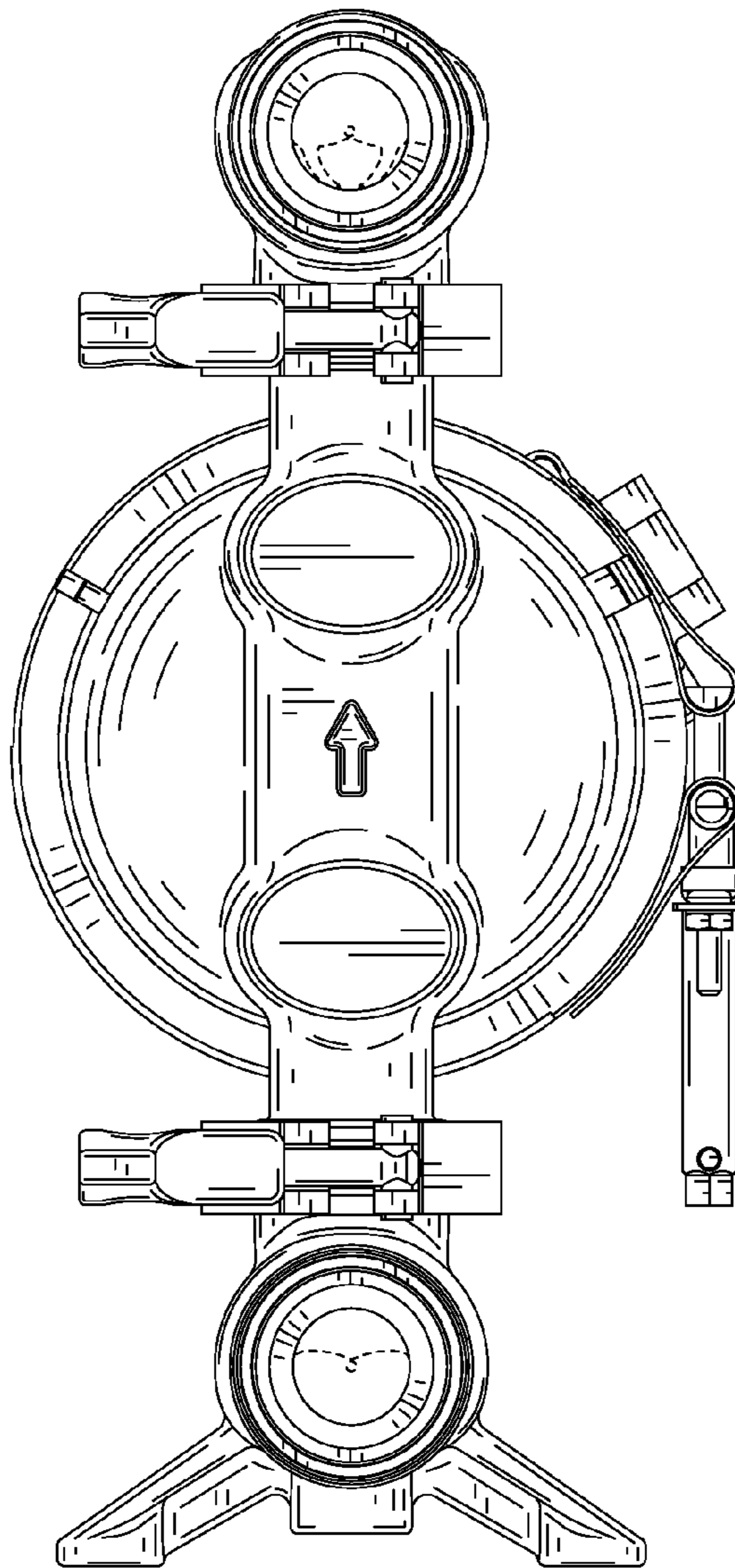


FIG. 4

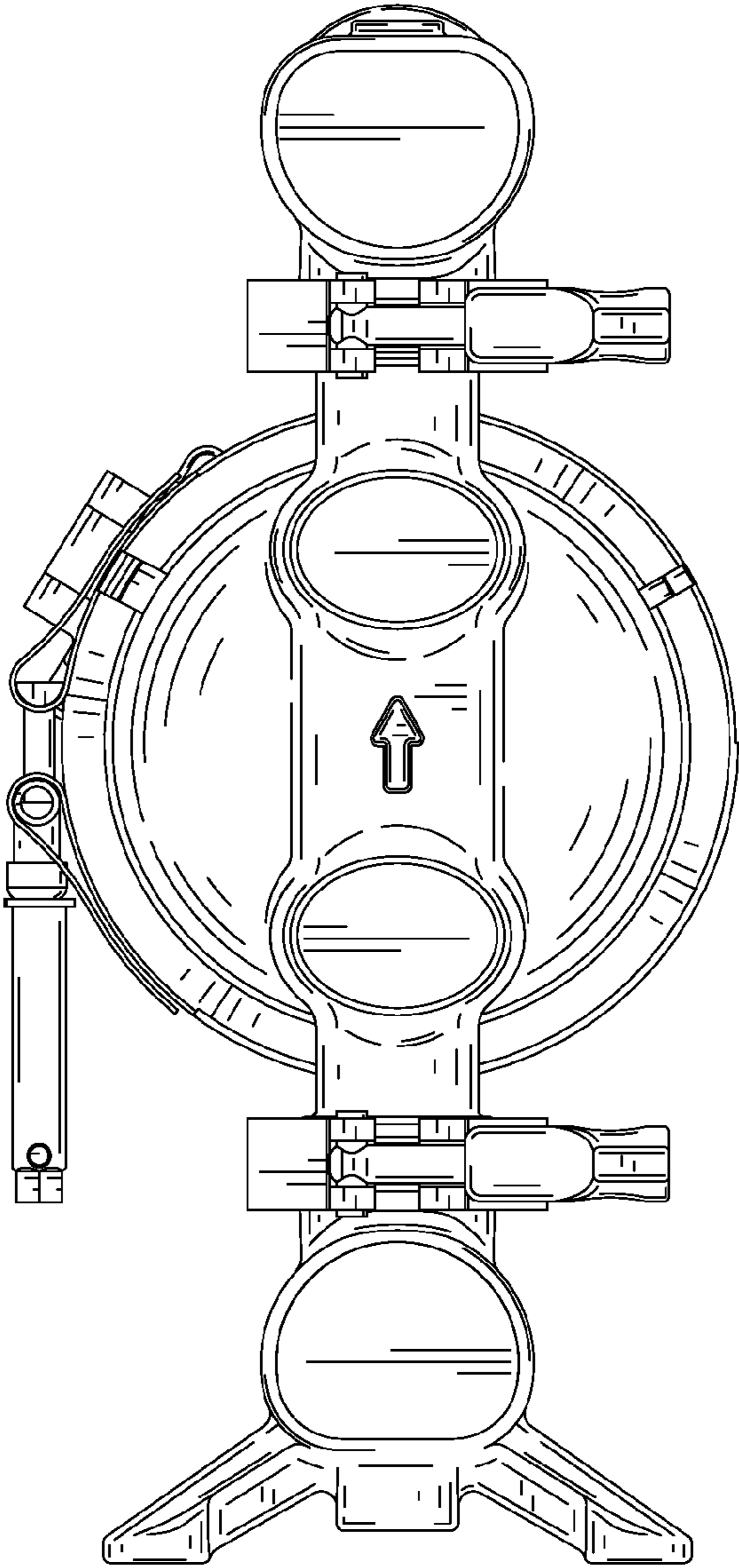


FIG. 5

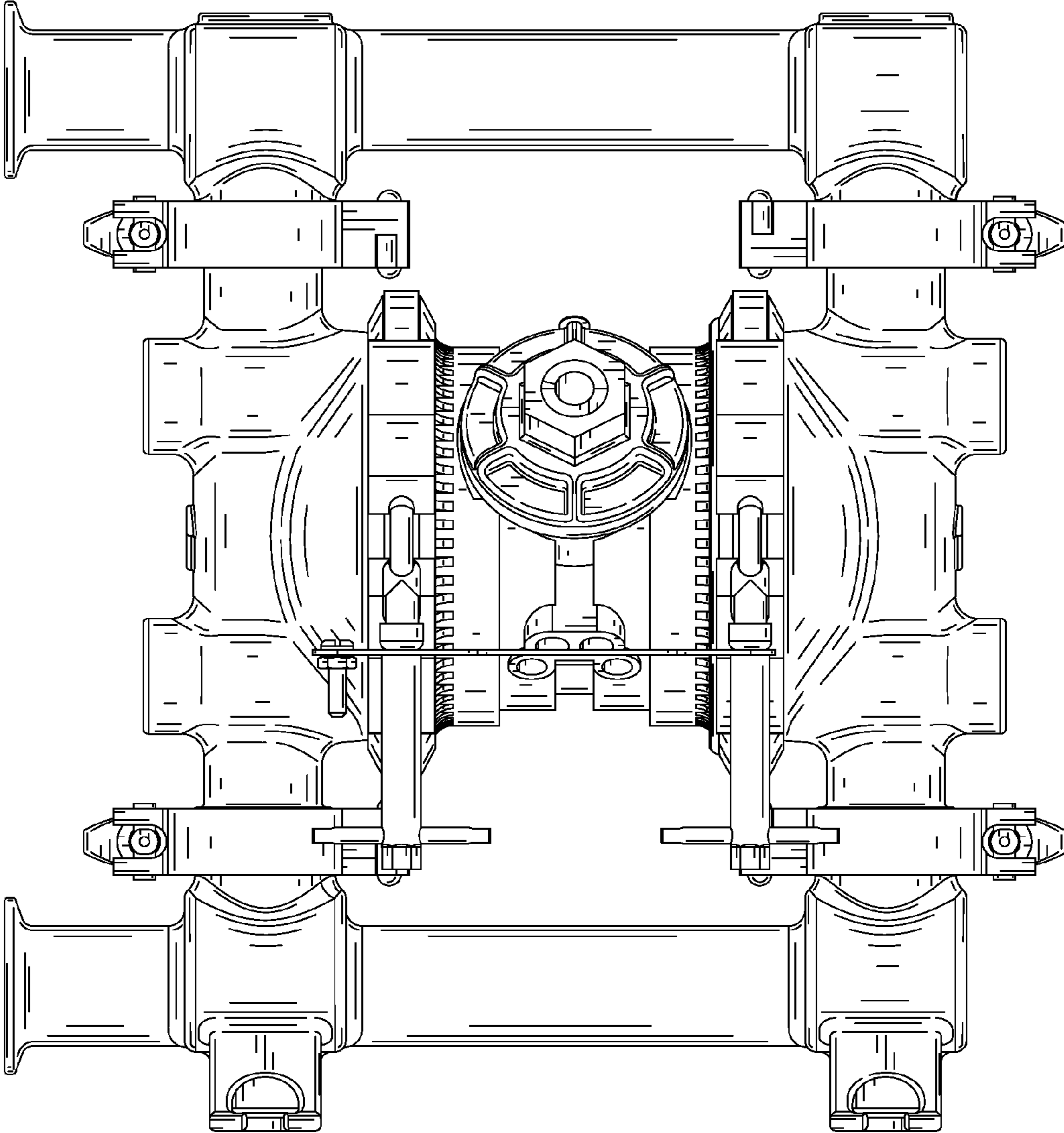


FIG. 6

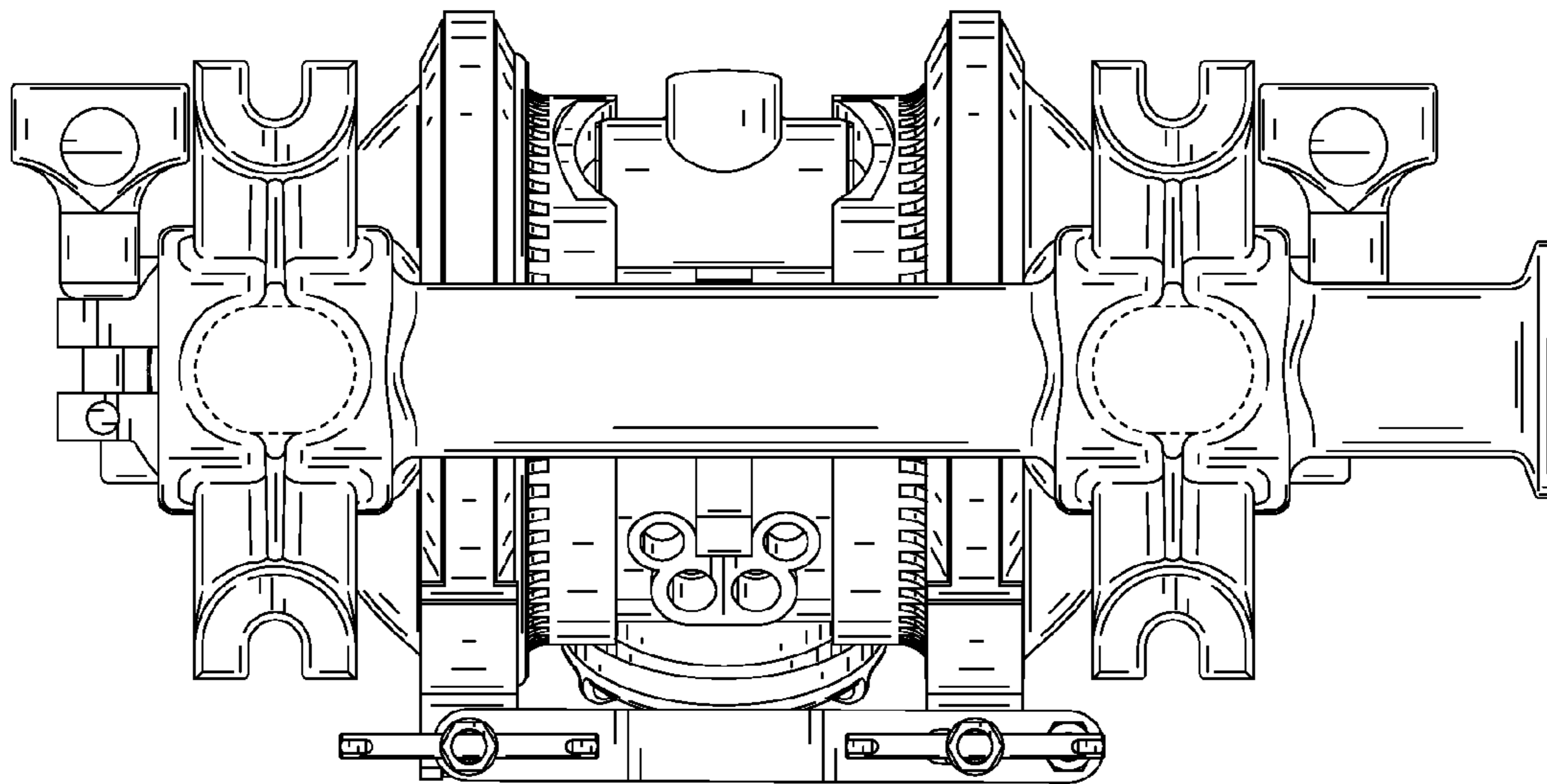


FIG. 7