



US00D682311S

(12) **United States Design Patent**
Voreis et al.

(10) **Patent No.:** **US D682,311 S**
(45) **Date of Patent:** **** May 14, 2013**

- (54) **DISPLAY SCREEN WITH ICON**
- (75) Inventors: **Emily S. Voreis**, Bothell, WA (US); **Phoi Heng Lew**, Mill Creek, WA (US); **Christina Koehn**, Seattle, WA (US)
- (73) Assignee: **Microsoft Corporation**, Redmond, WA (US)
- (**) Term: **14 Years**
- (21) Appl. No.: **29/413,872**
- (22) Filed: **Feb. 22, 2012**
- (51) **LOC (9) Cl.** **14-04**
- (52) **U.S. Cl.**
USPC **D14/489**
- (58) **Field of Classification Search** D14/487-495;
D20/10-12, 22-23, 25, 27-29, 31-32, 34-36;
715/810, 835-837, 839-840, 846-847
See application file for complete search history.

7,475,362	B2 *	1/2009	Fujiyoshi	715/838
D593,126	S *	5/2009	Danton	D14/489
D607,013	S *	12/2009	Hirsch et al.	D14/493
D617,804	S *	6/2010	Hirsch	D14/485
D662,109	S *	6/2012	Steele et al.	D14/492
8,307,283	B1 *	11/2012	O'Neill	715/709

OTHER PUBLICATIONS

Iconkits.com | Office Base Kit, [online], [retrieved on Apr. 4, 2007]. Retrieved from the Internet <URL: http://iconkits.com/products/office_base_kit/>.*

* cited by examiner

Primary Examiner — Karen E Kearney

(74) *Attorney, Agent, or Firm* — Banner & Witcoff, Ltd.

(57) **CLAIM**

The ornamental design for a display screen with icon, as shown and described.

DESCRIPTION

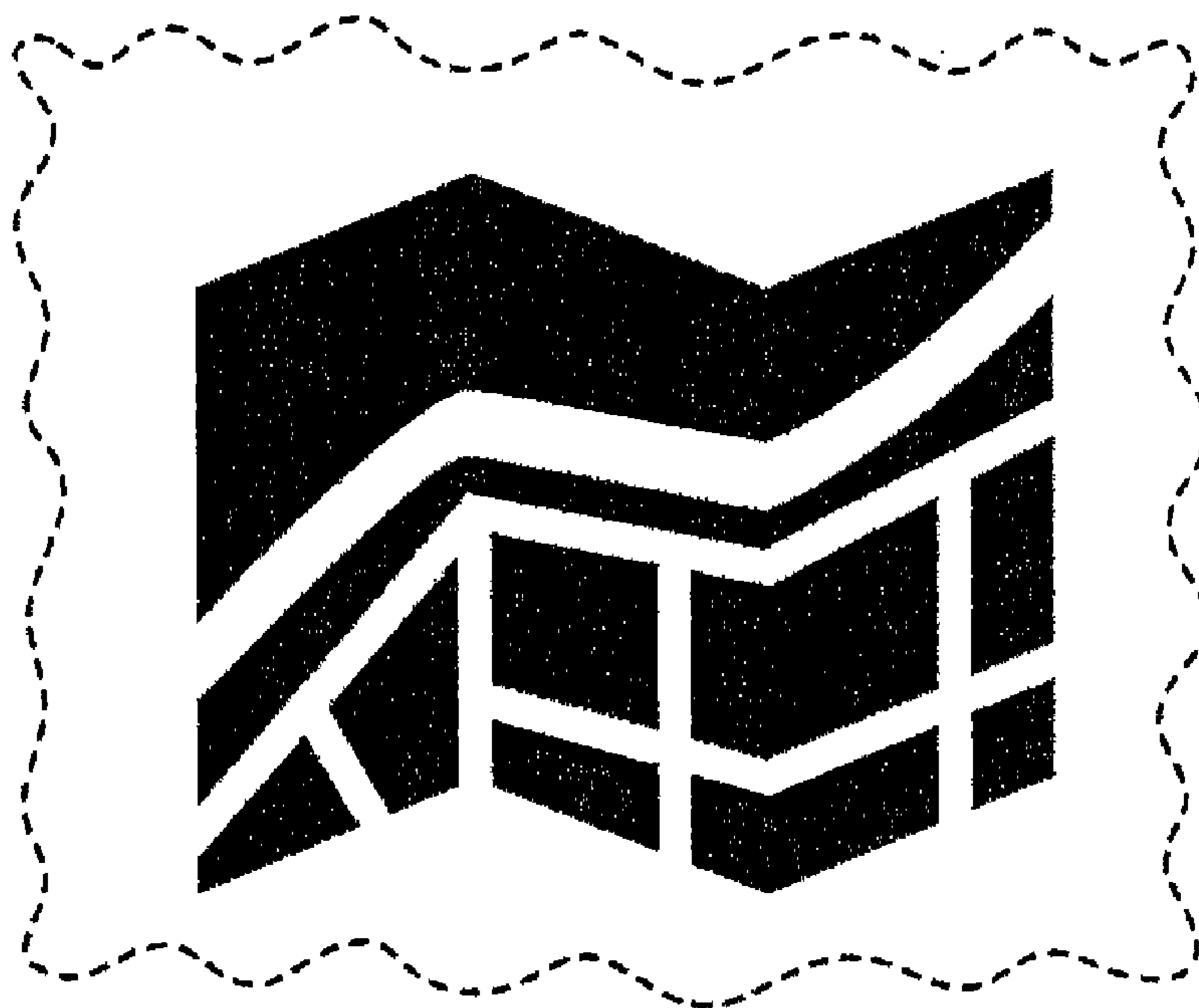
FIG. 1 is a front view of a display screen with icon showing the new design;
 FIG. 2 is a front view of a display screen with icon showing an alternative embodiment of the new design;
 FIG. 3 is a front view of a display screen with icon of FIG. 1 shown on a device; and,
 FIG. 4 is a front view of a display screen with icon of FIG. 2 shown on a device.
 The broken line showing of the remainder of the display screen and the remainder of the device having the display screen in FIGS. 3-4 is for environmental purposes only and forms no part of the claimed design.

1 Claim, 4 Drawing Sheets

(56) **References Cited**

U.S. PATENT DOCUMENTS

5,546,528	A *	8/1996	Johnston	715/807
D387,048	S *	12/1997	Fumarolo et al.	D14/490
5,699,244	A *	12/1997	Clark et al.	702/2
D392,276	S *	3/1998	Wanishi et al.	D14/490
5,832,496	A *	11/1998	Anand et al.	1/1
6,288,719	B1 *	9/2001	Squilla et al.	715/805
D462,077	S *	8/2002	Greminger	D14/487
6,501,490	B1 *	12/2002	Bell	715/837
6,788,315	B1 *	9/2004	Kekic et al.	715/733
6,845,381	B2 *	1/2005	Kusumoto	1/1



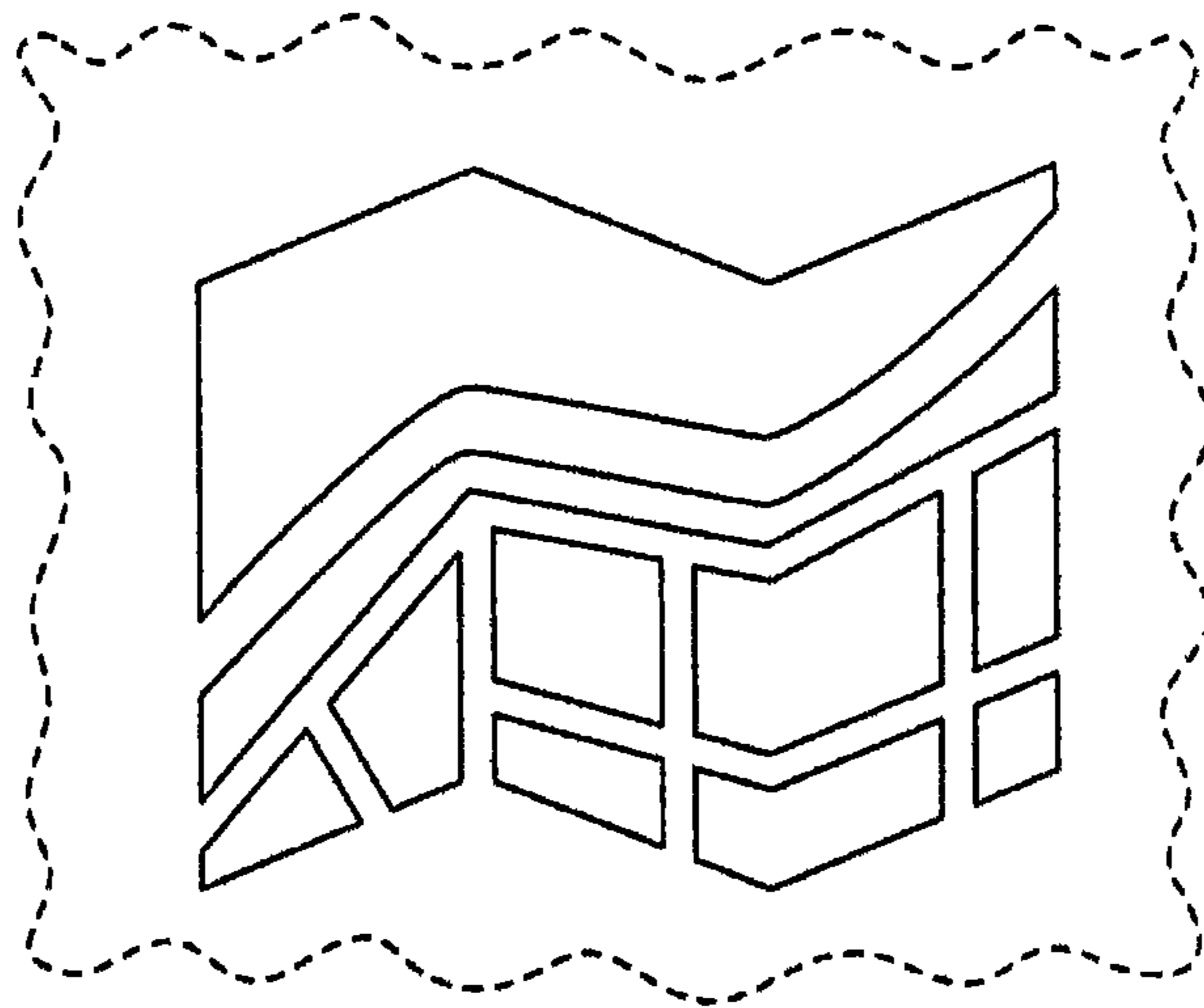


FIG. 1

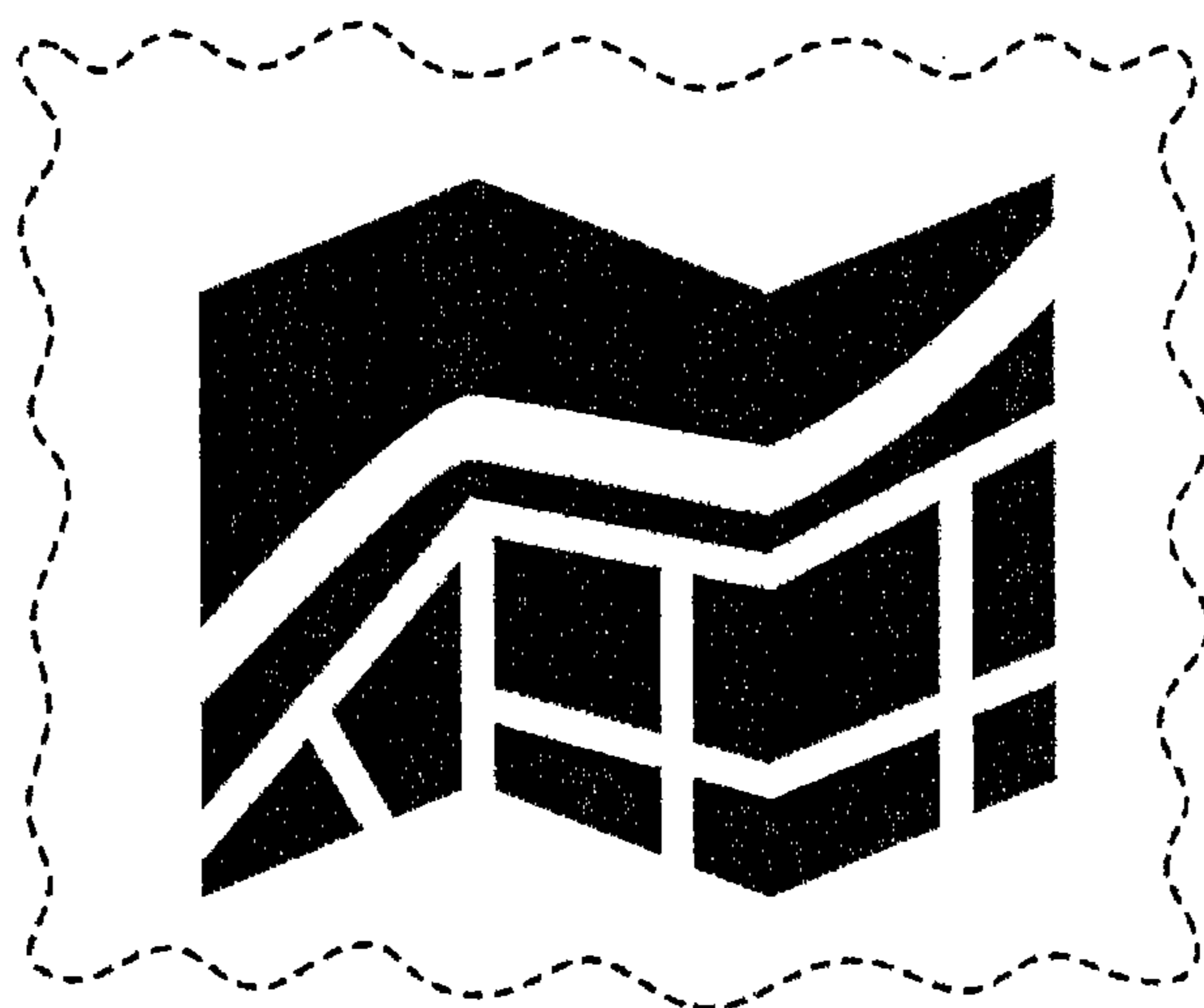


FIG. 2

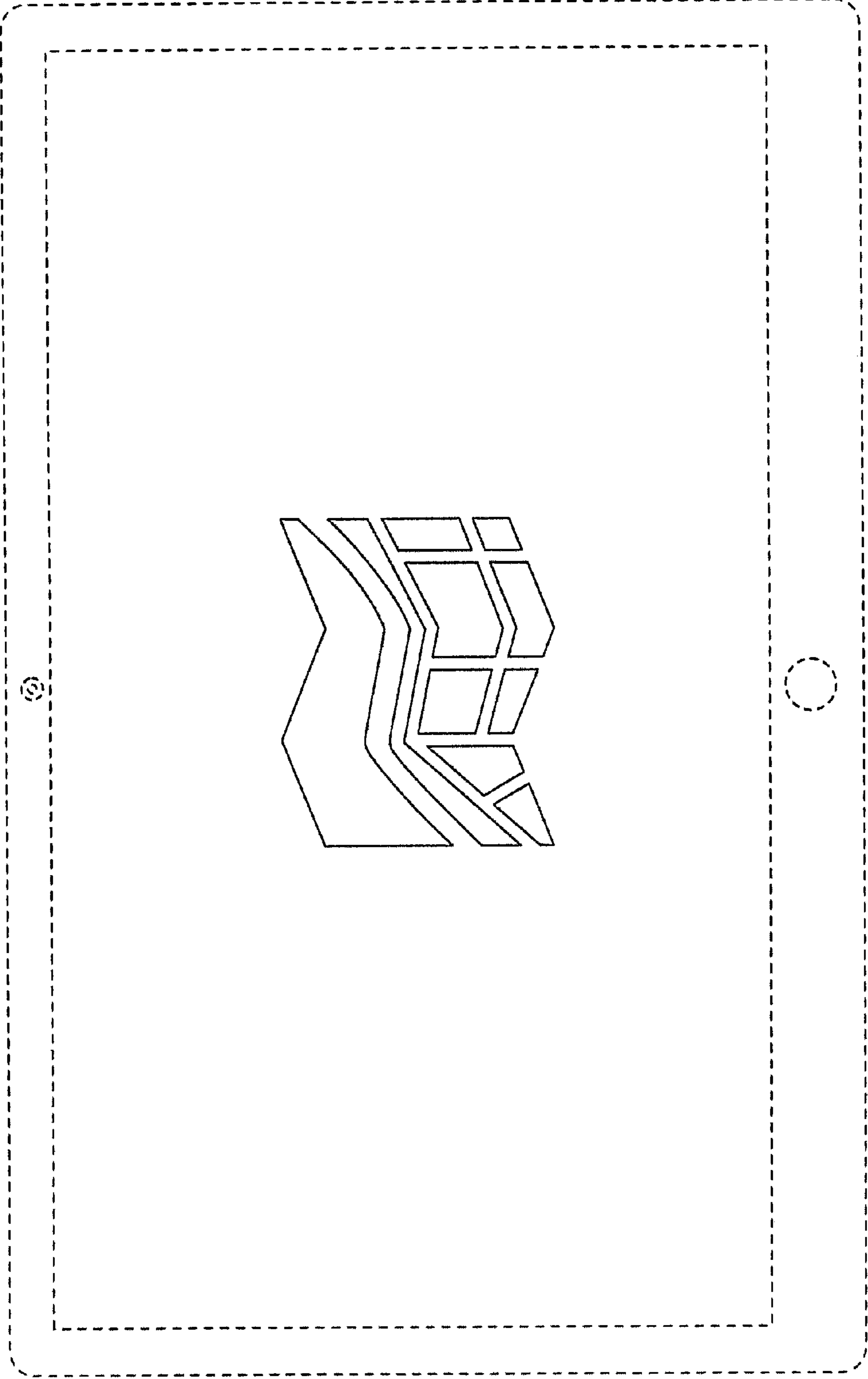


FIG. 3

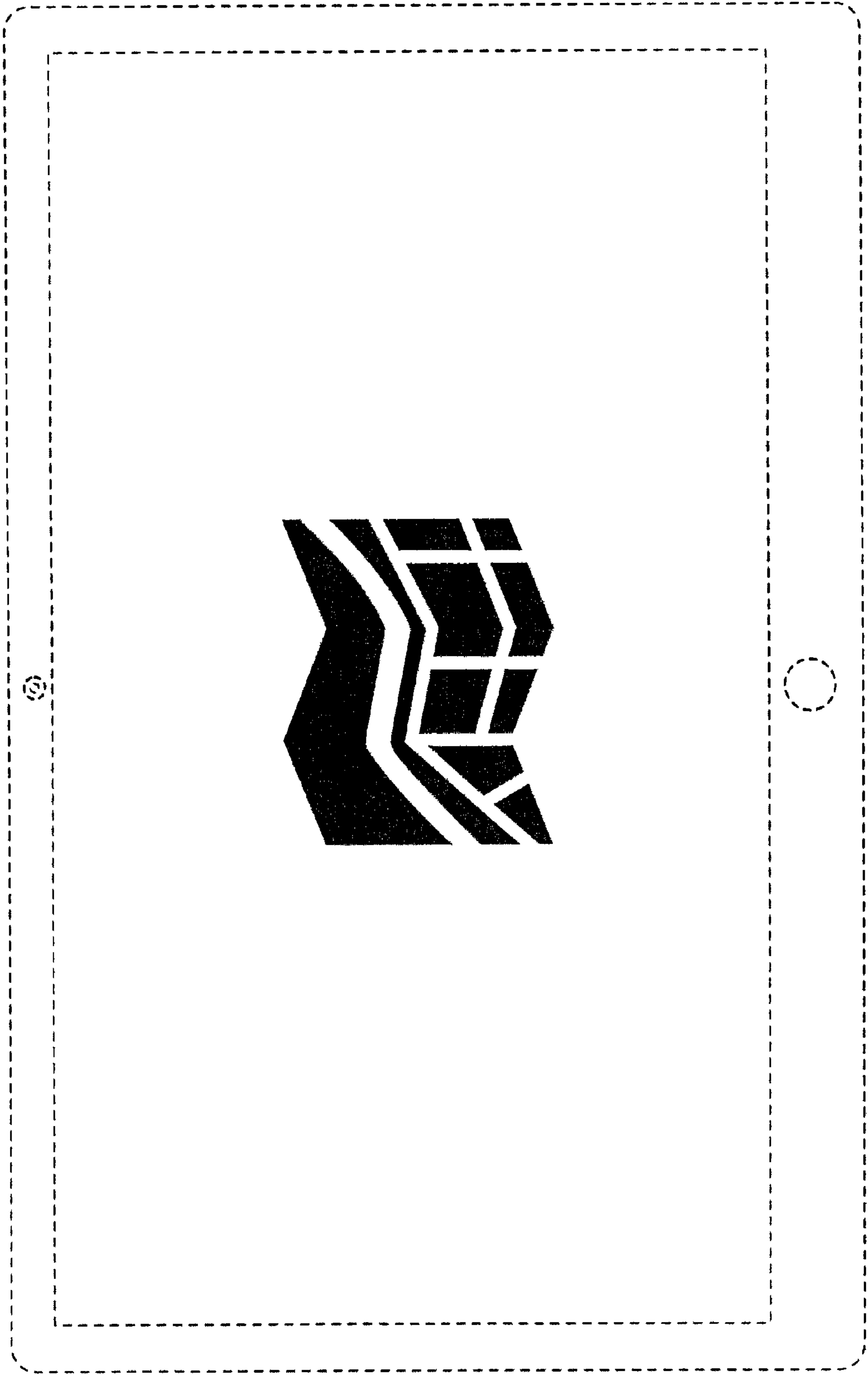


FIG. 4