



US00D682285S

(12) **United States Design Patent**  
**Skinner et al.**

(10) **Patent No.:** **US D682,285 S**

(45) **Date of Patent:** **\*\* May 14, 2013**

(54) **STAND**

(75) Inventors: **David N Skinner**, Redwood Shores, CA (US); **Peter K Lee**, San Jose, CA (US); **Sasha Tseng**, San Mateo, CA (US)

(73) Assignee: **Hewlett-Packard Development Company, L.P.**, Houston, TX (US)

(\*\*) Term: **14 Years**

(21) Appl. No.: **29/404,004**

(22) Filed: **Oct. 13, 2011**

(51) **LOC (9) Cl.** ..... **08-07**

(52) **U.S. Cl.**  
USPC ..... **D14/451**

(58) **Field of Classification Search** ..... D14/451,  
D14/452, 239, 432, 434, 439, 448, 457, 251,  
D14/253, 224, 224.1, 126, 127, 371, 373,  
D14/374, 375; D8/363, 373, 380; 248/917,  
248/918, 919, 920, 921, 922, 923, 924, 441.1,  
248/460, 122.1, 125.7, 371, 173.1, 176.3,  
248/222.52, 276.1, 324; 361/679.06, 679.04,  
361/679.21, 679.22, 679.56

See application file for complete search history.

(56) **References Cited**

U.S. PATENT DOCUMENTS

D413,110	S	*	8/1999	Sweere et al.	.....	D14/447
D459,729	S	*	7/2002	Goto	.....	D14/451
D462,359	S	*	9/2002	Scharer et al.	.....	D14/452
D463,440	S	*	9/2002	Oba	.....	D14/451
D479,240	S	*	9/2003	Bradley	.....	D14/434
D593,568	S	*	6/2009	Hsieh et al.	.....	D14/451
D616,424	S	*	5/2010	Li	.....	D14/239
7,758,000	B2	*	7/2010	Hsieh et al.	.....	248/176.1
D635,980	S	*	4/2011	Hung	.....	D14/451
D646,684	S	*	10/2011	Tierney et al.	.....	D14/451
D649,153	S	*	11/2011	Symons	.....	D14/447
8,047,488	B2	*	11/2011	Wang et al.	.....	248/291.1
D651,213	S	*	12/2011	Magness et al.	.....	D14/447
D652,043	S	*	1/2012	Lee	.....	D14/447
D662,506	S	*	6/2012	Skinner et al.	.....	D14/451

\* cited by examiner

*Primary Examiner* — Cynthia Ramirez

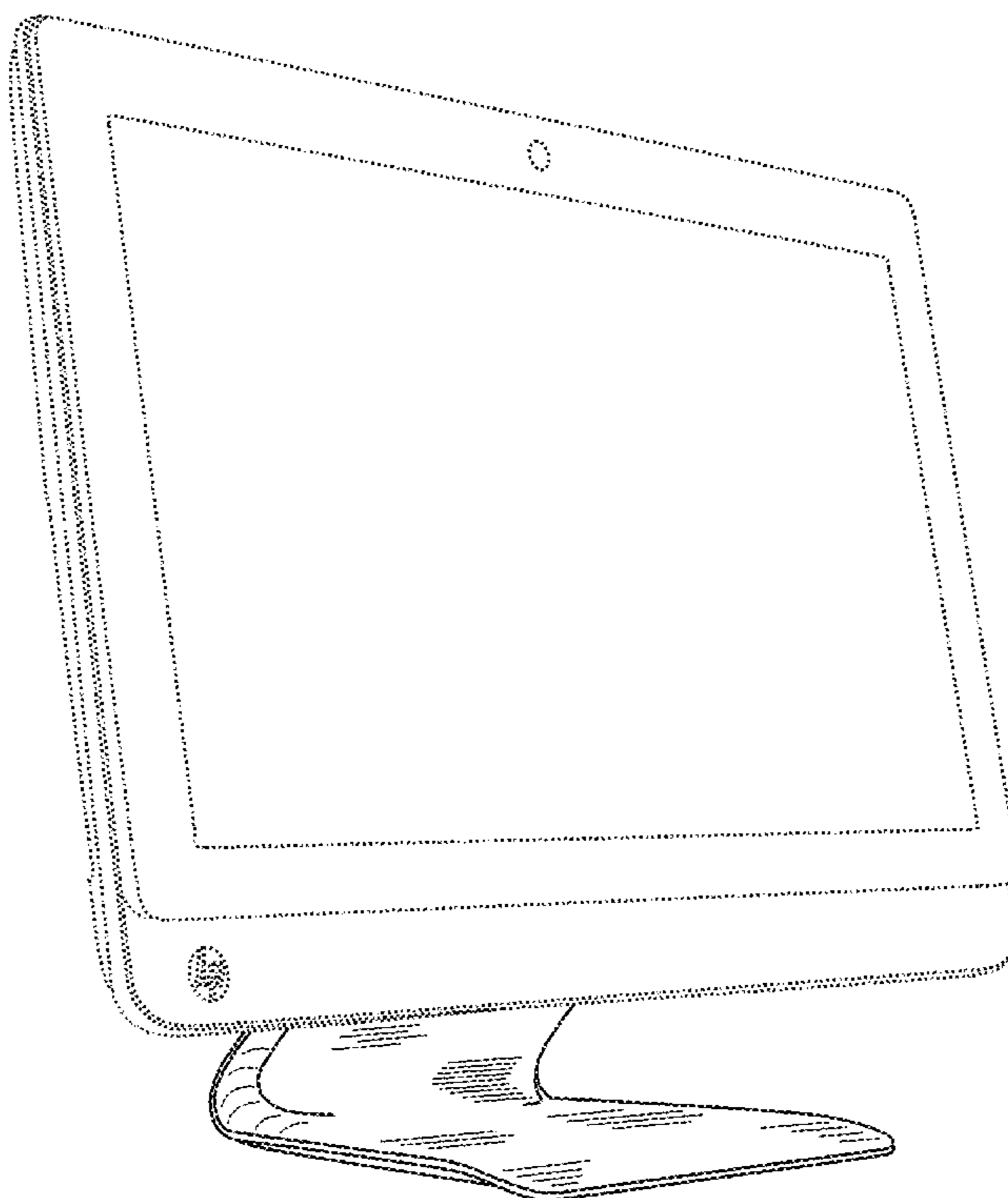
(57) **CLAIM**

The ornamental design for a stand, as shown and described.

**DESCRIPTION**

FIG. 1 is a front perspective view of a stand; and, FIG. 2 is a side perspective view of the stand. The broken lines showing of various regions and the unshaded areas therein are for the purpose of illustrating the article and form no part of the claimed design.

**1 Claim, 2 Drawing Sheets**



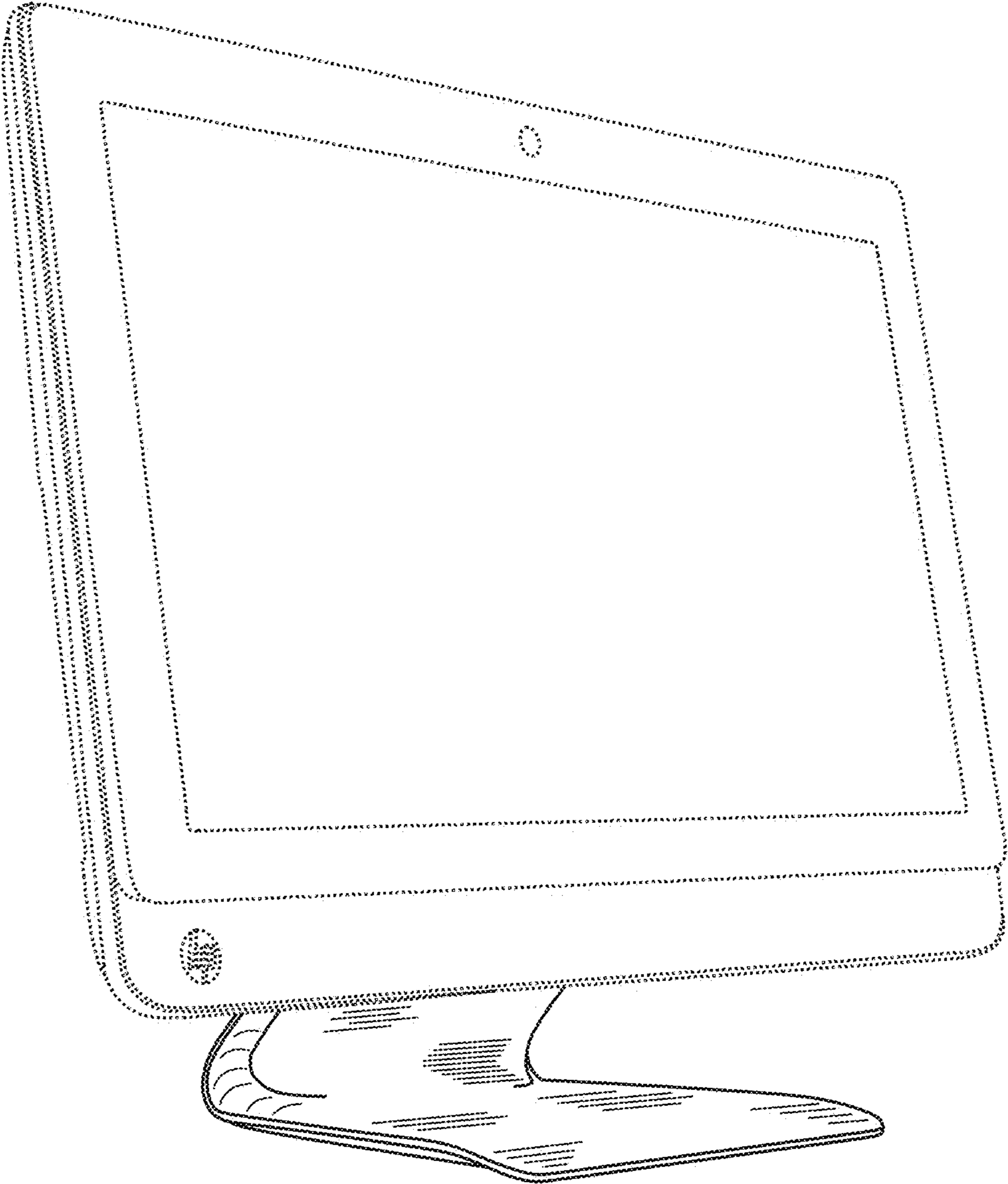


FIG. 1

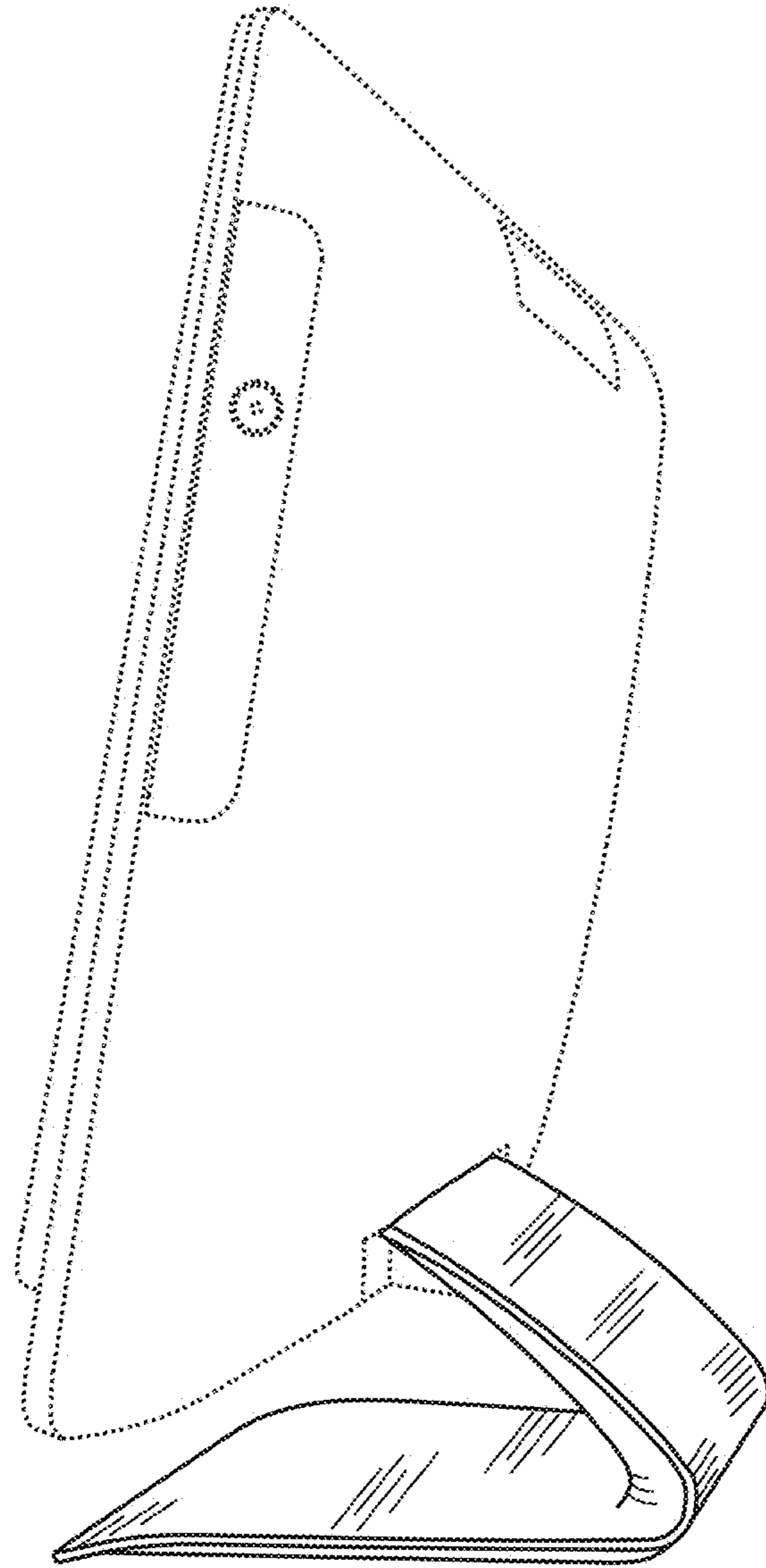


FIG. 2