



US00D682284S

(12) **United States Design Patent**  
**Hachadorian et al.**

(10) **Patent No.:** **US D682,284 S**

(45) **Date of Patent:** **\*\* May 14, 2013**

(54) **CRADLE FOR ELECTRONICS DEVICE**

(56)

**References Cited**

(75) Inventors: **Gary Hachadorian**, Frankfurt a.M. (DE); **Ben Bartlett**, Frankston South (AU); **Paul Mason**, Berwick (AU); **Sam Manning**, Hampton Park (AU); **Jonathan Evans**, Prahran (AU); **Keith Evans**, Beaconsfield (AU); **David Waterson**, Glen Iris (AU); **Kerry Lee**, Chelsea (AU)

U.S. PATENT DOCUMENTS

D592,205	S	*	5/2009	O'Brien	.....	D14/253
D610,587	S	*	2/2010	Bandringa	.....	D14/447
D614,631	S	*	4/2010	Chiang	.....	D14/447
D630,222	S	*	1/2011	Lin	.....	D14/447
D645,033	S	*	9/2011	Quong et al.	.....	D14/253
D646,674	S	*	10/2011	Liao	.....	D14/253
D657,356	S	*	4/2012	Wikel	.....	D14/253
D666,205	S	*	8/2012	Li et al.	.....	D14/452
8,251,325	B2	*	8/2012	Molter	.....	248/222.51
D669,890	S	*	10/2012	Hopkins et al.	.....	D14/251
8,282,060	B2	*	10/2012	Fan	.....	248/291.1
D670,295	S	*	11/2012	Prescott et al.	.....	D14/447
2012/0175474	A1	*	7/2012	Barnard et al.	.....	248/122.1

\* cited by examiner

(73) Assignee: **Lumen Australia Pty Ltd**, Victoria (AU)

(\*\*) Term: **14 Years**

*Primary Examiner* — Angela J Lee

(21) Appl. No.: **29/418,604**

(74) *Attorney, Agent, or Firm* — D. Peter Hochberg; Sean F. Mellino

(22) Filed: **Apr. 18, 2012**

(57) **CLAIM**

The ornamental design for an cradle for electronics device, as shown and described.

(30) **Foreign Application Priority Data**

**DESCRIPTION**

Oct. 18, 2011 (AU) ..... 14711/2011

(51) **LOC (9) Cl.** ..... **08-07**

(52) **U.S. Cl.**  
USPC ..... **D14/447**

(58) **Field of Classification Search** ..... D14/447,  
D14/448, 451, 452, 440, 432, 434, 439, 457,  
D14/238.1, 217, 251, 252, 253, 239, 250;  
D6/406.3, 406.4, 406.5, 406.6; 361/679.09,  
361/679.26, 679.27, 679.28, 679.29, 679.3,  
361/679.55, 679.56; 248/917-924, 133,  
248/136, 139, 150, 176.1, 188.6, 288.31;  
D13/108

FIG. 1 is a front perspective view of the cradle for electronics device according to the invention;

FIG. 2 is a rear perspective view of the cradle for electronics device as shown in FIG. 1.

FIG. 3 is a front view of the cradle for electronics device as shown in FIG. 1;

FIG. 4 is a rear view of the cradle for electronics device as shown in FIG. 1;

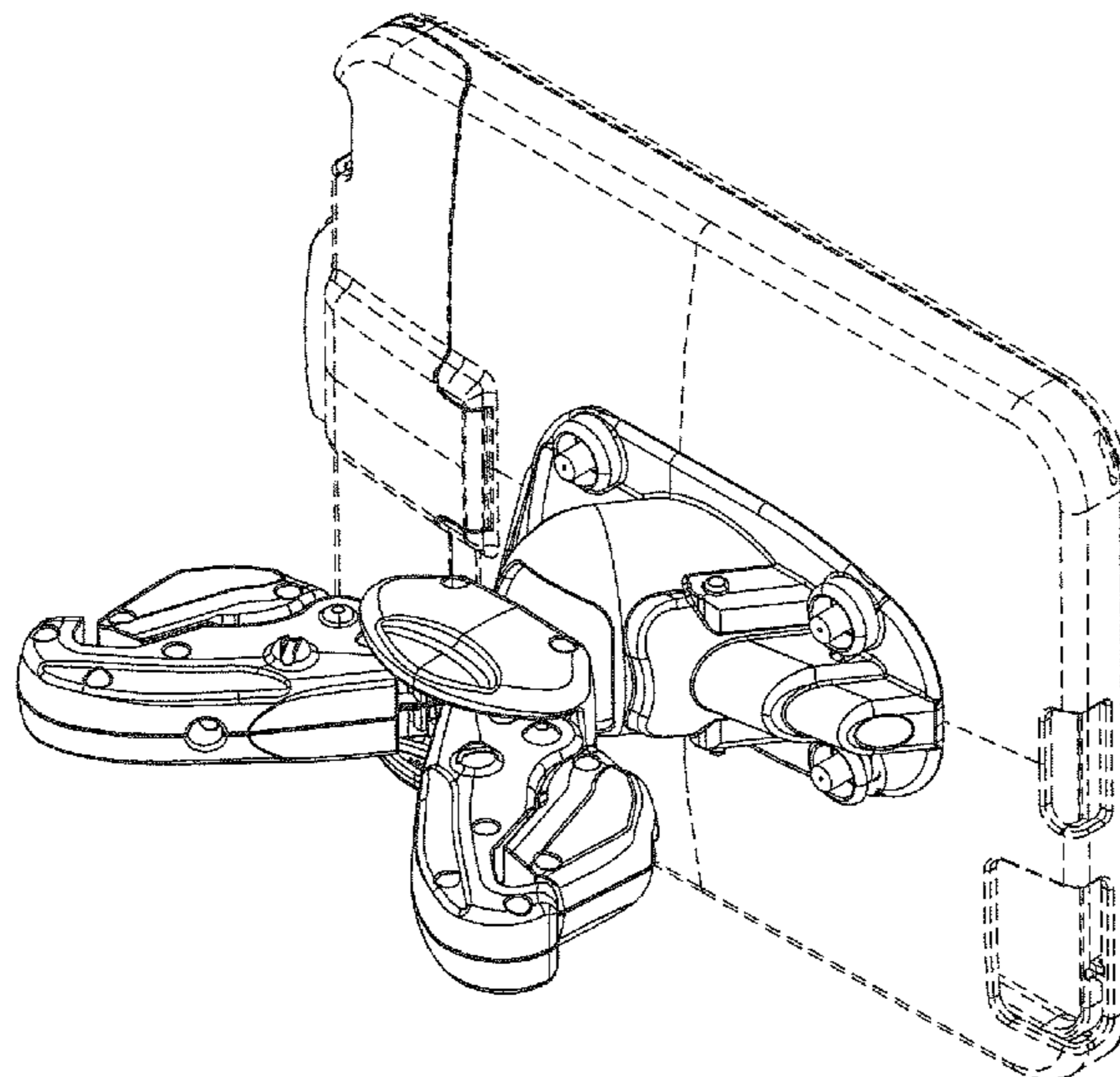
FIG. 5 is a right side view of the cradle for electronics device as shown in FIG. 1; and,

FIG. 6 is a left view of the cradle for electronics device as shown in FIG. 1 shown from the opposite side as that shown in FIG. 5.

The broken lines shown in the figures are for illustrative purposes only and form no part of the claimed design.

See application file for complete search history.

**1 Claim, 4 Drawing Sheets**



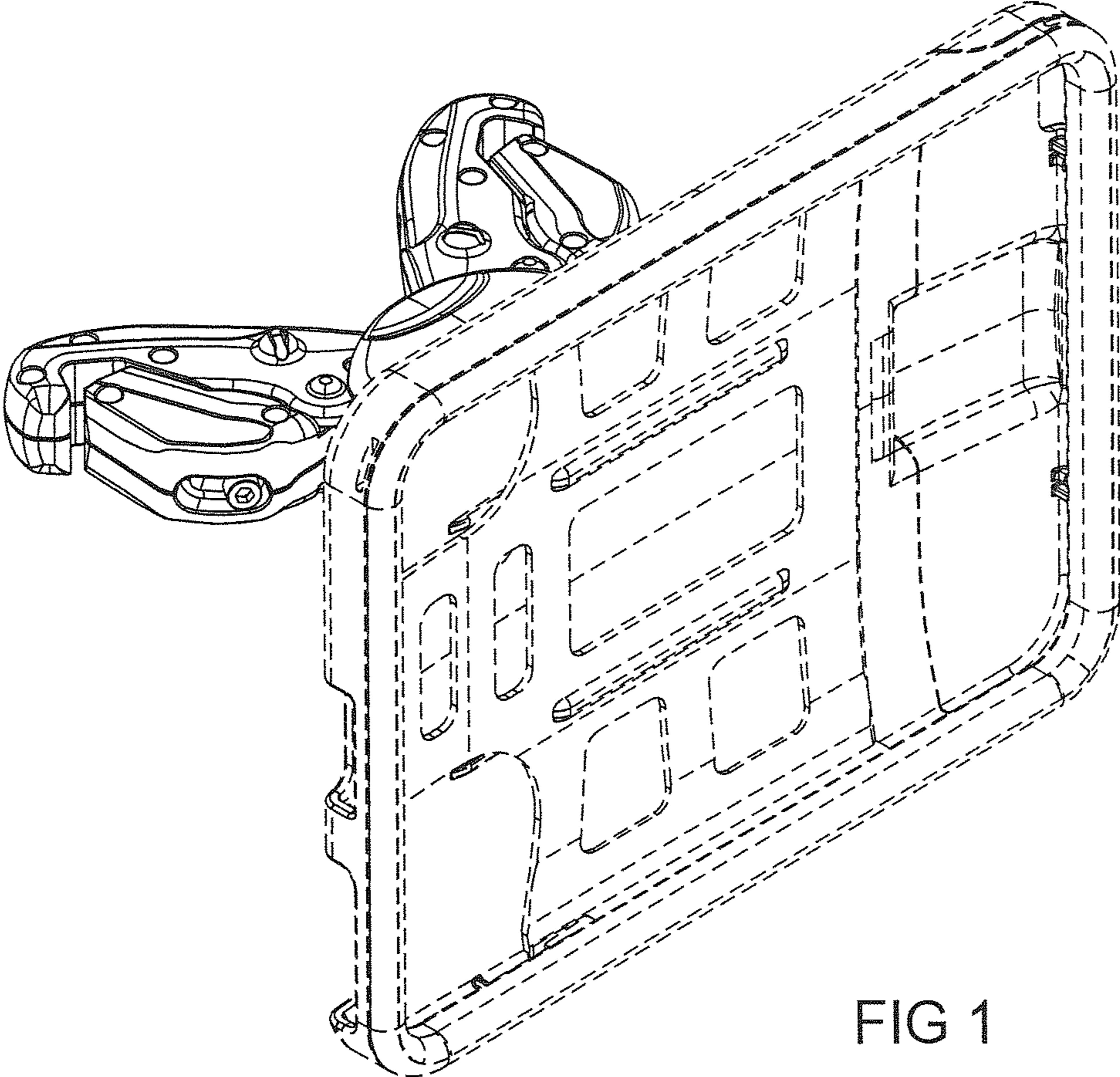


FIG 1

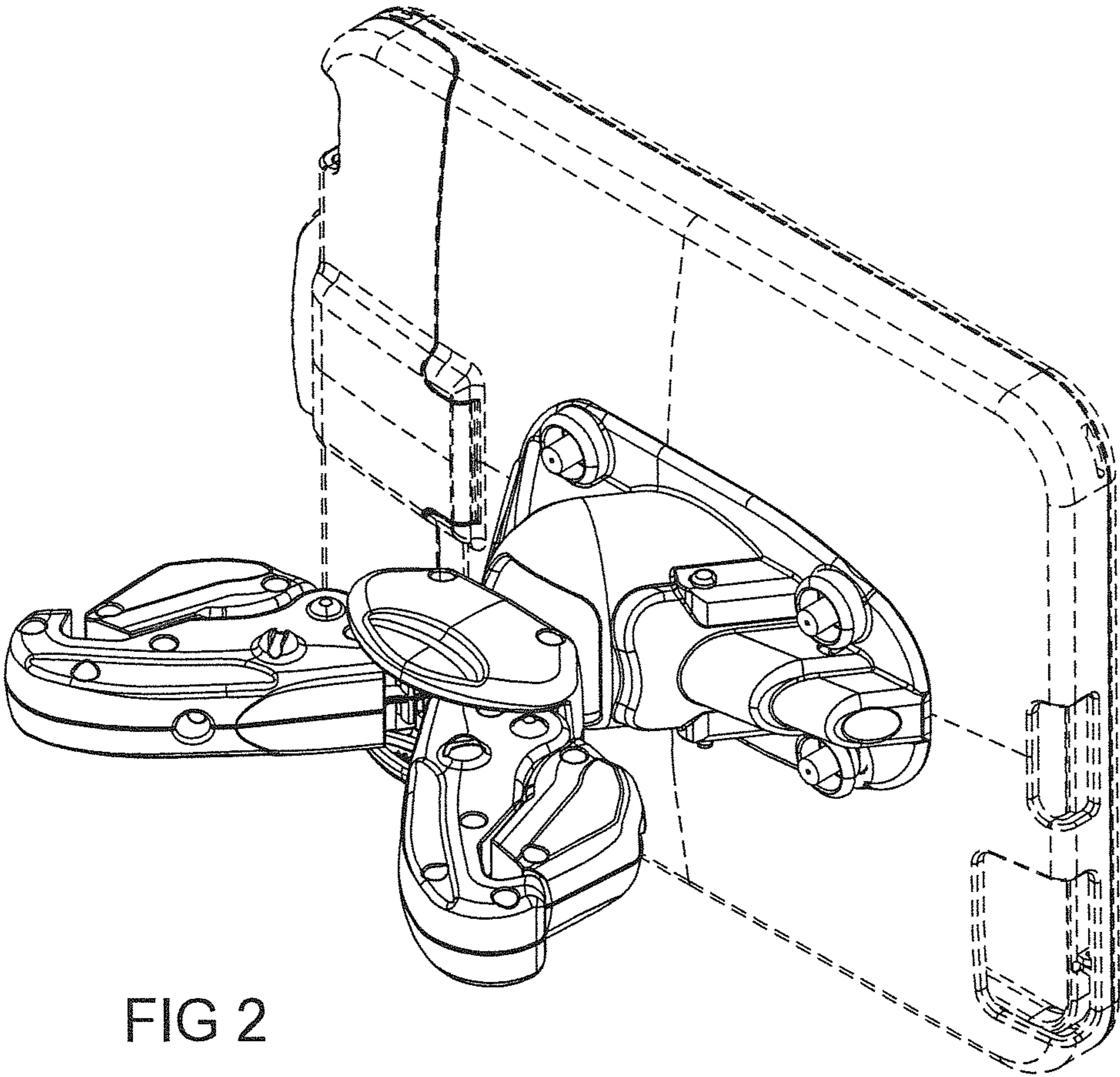


FIG 2



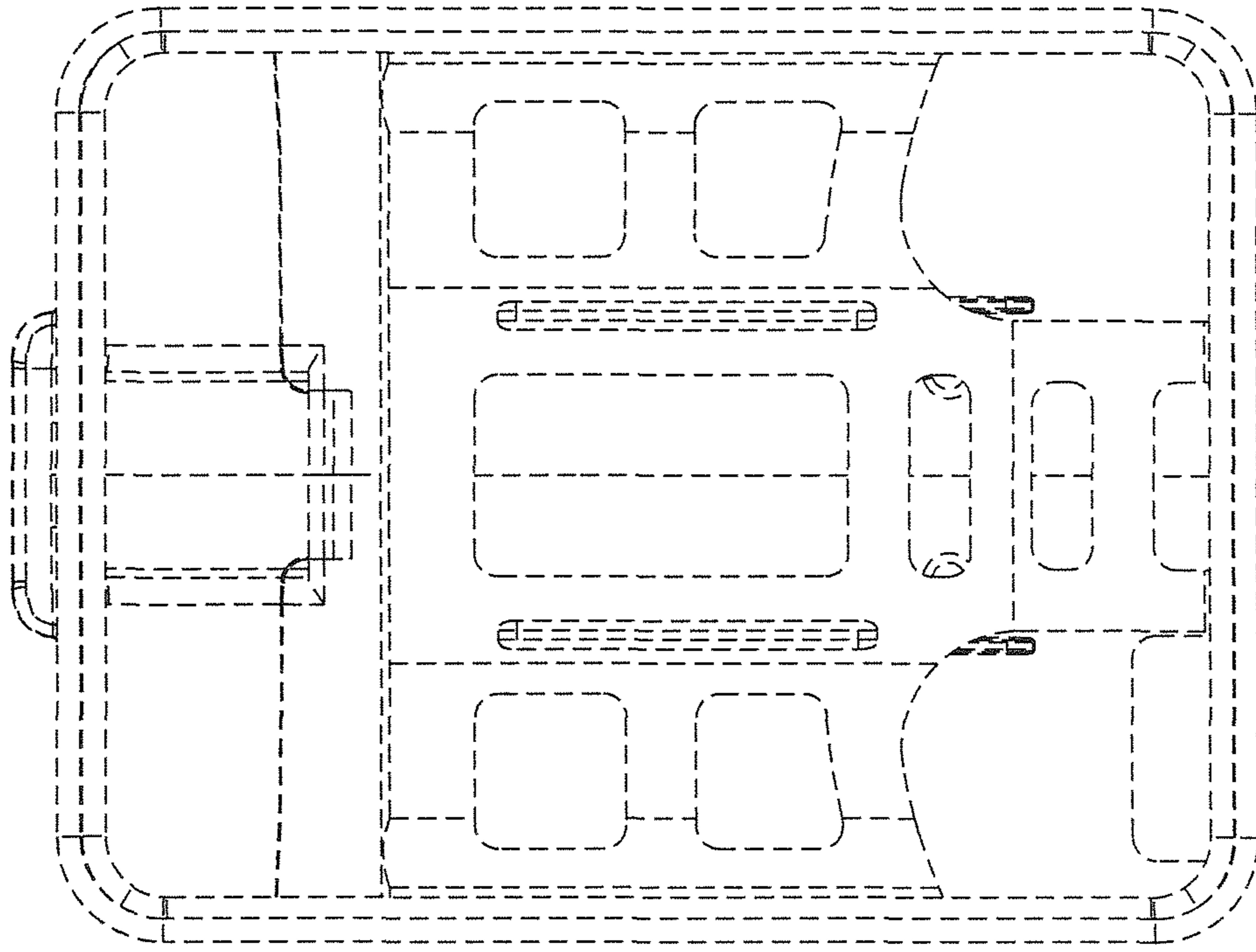


FIG 3

FIG 4

