



US00D682283S

(12) **United States Design Patent**
Tak et al.

(10) **Patent No.:** **US D682,283 S**

(45) **Date of Patent:** **** May 14, 2013**

(54) **STAND DEVICE**

(75) Inventors: **Junggeun Tak**, Newton Upper Falls, MA (US); **Kevin Young**, Needham, MA (US)

(73) Assignee: **Continuum, LLC**, West Newton, MA (US)

(**) Term: **14 Years**

(21) Appl. No.: **29/416,295**

(22) Filed: **Mar. 20, 2012**

(51) **LOC (9) Cl.** **08-07**

(52) **U.S. Cl.**
USPC **D14/447**

(58) **Field of Classification Search** D14/447,
D14/432, 433, 434, 439, 440, 451, 452, 457,
D14/239, 251, 253, 217, 374, 375, 376, 377,
D14/902, 216, 209.1, 204, 448, 449, 302,
D14/307, 392; D12/415, 416; D3/218, 274,
D3/318, 321, 328; D6/406.3, 406.4; 190/117;
361/679.03, 679.09, 679.05, 679.26, 679.3,
361/679.55, 679.56, 679.27; 248/176.1,
248/917, 918, 919, 920, 921, 922, 923, 924,
248/682, 689, 690, 691, 692, 441.1, 444,
248/447, 451, 460, 463, 118, 118.5, 149,
248/150, 166, 434, 177.1; D10/113.4; D16/242,
D16/244, 245; 108/42, 152

See application file for complete search history.

(56) **References Cited**

U.S. PATENT DOCUMENTS

D395,545 S * 6/1998 Crim, Jr. D3/218
D577,007 S * 9/2008 Cummings et al. D14/217
D585,067 S * 1/2009 Puglisi D14/434
D592,188 S * 5/2009 Huang D14/217
D610,587 S * 2/2010 Bandringa D14/447
D626,129 S * 10/2010 Lutz D14/447

(Continued)

Primary Examiner — Angela J Lee

(74) *Attorney, Agent, or Firm* — Morse, Barnes-Brown & Pendleton, P.C.; Stanley F. Chalvire

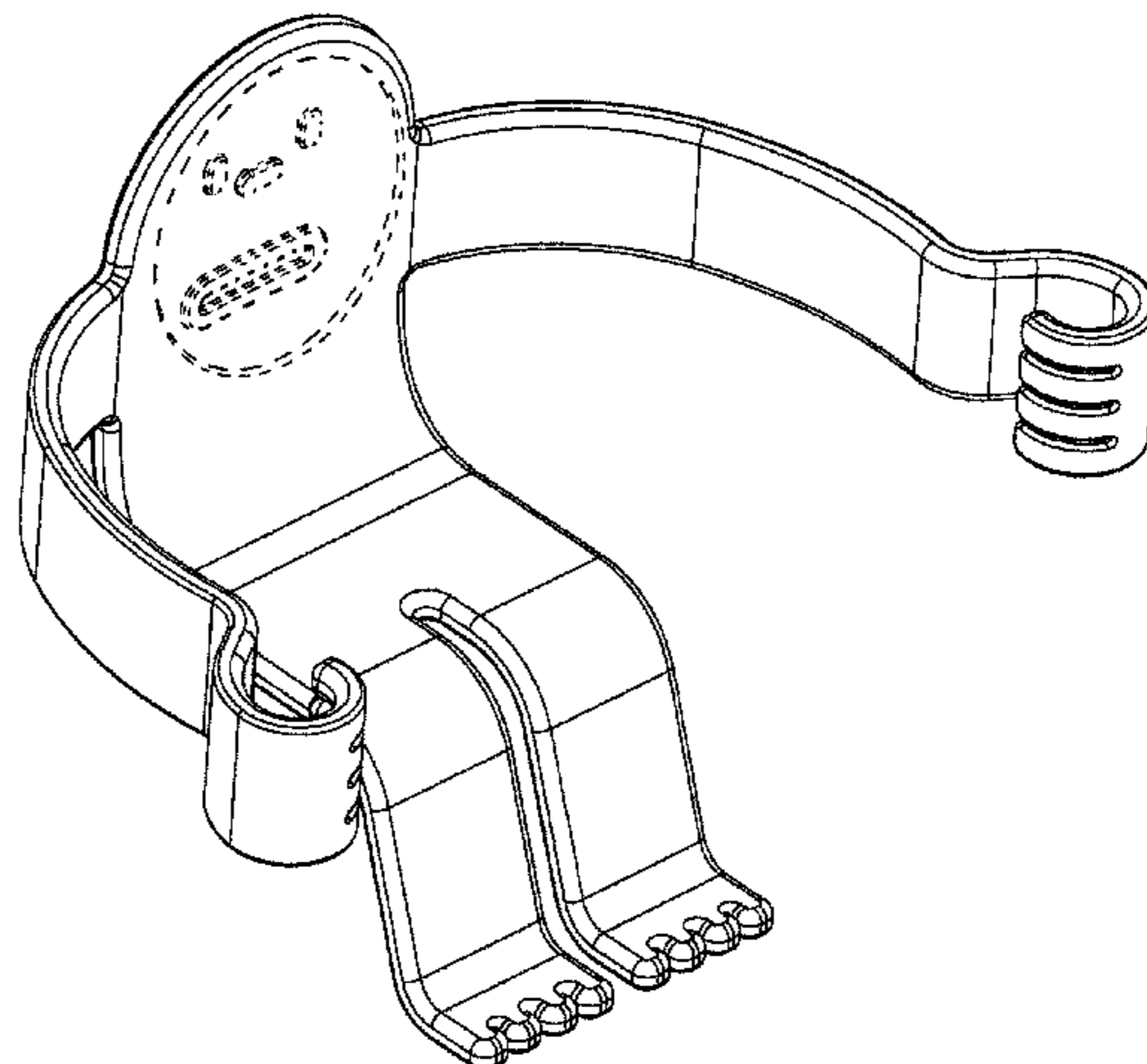
(57) **CLAIM**

The ornamental design for a stand device, as shown and described.

DESCRIPTION

FIG. 1 is a perspective view, from the left side, of a first embodiment of the stand device;
FIG. 2 is a front view thereof;
FIG. 3 is a right side view thereof;
FIG. 4 is a top view thereof;
FIG. 5 is a back view thereof;
FIG. 6 is a perspective view, from the right side, thereof, but with a vertical electronic tablet device shown in broken lines;
FIG. 7 is a perspective view, from below, thereof;
FIG. 8 is a right side view thereof;
FIG. 9 is a perspective view, from the right side, thereof, but in an alternate position with a horizontal electronic tablet device shown in broken lines;
FIG. 10 is a side view thereof;
FIG. 11 is a perspective view, from below, thereof;
FIG. 12 is a front view of a second embodiment of the stand device;
FIG. 13 is a perspective view, from the left side, thereof;
FIG. 14 is a perspective view, from below, thereof, but with a vertical electronic tablet device shown in broken lines;
FIG. 15 is a perspective view, from the right side, thereof;
FIG. 16 is a perspective view, from the right, thereof; but in an alternate position with a horizontal electronic tablet device shown in broken lines; and,
FIG. 17 is a perspective view, from below, thereof.
The electronic tablet device and face portions shown in broken lines form no part of the claimed design.

1 Claim, 17 Drawing Sheets



US D682,283 S

Page 2

U.S. PATENT DOCUMENTS

D630,222 S *	1/2011	Lin	D14/447	D666,213 S *	8/2012	Fahrberger et al.	D14/496
D646,674 S *	10/2011	Liao	D14/253	D669,890 S *	10/2012	Hopkins et al.	D14/251
D658,170 S *	4/2012	Chen et al.	D14/253	2008/0087789 A1 *	4/2008	Haynes	248/454
D663,735 S *	7/2012	Musselman	D14/447				

* cited by examiner

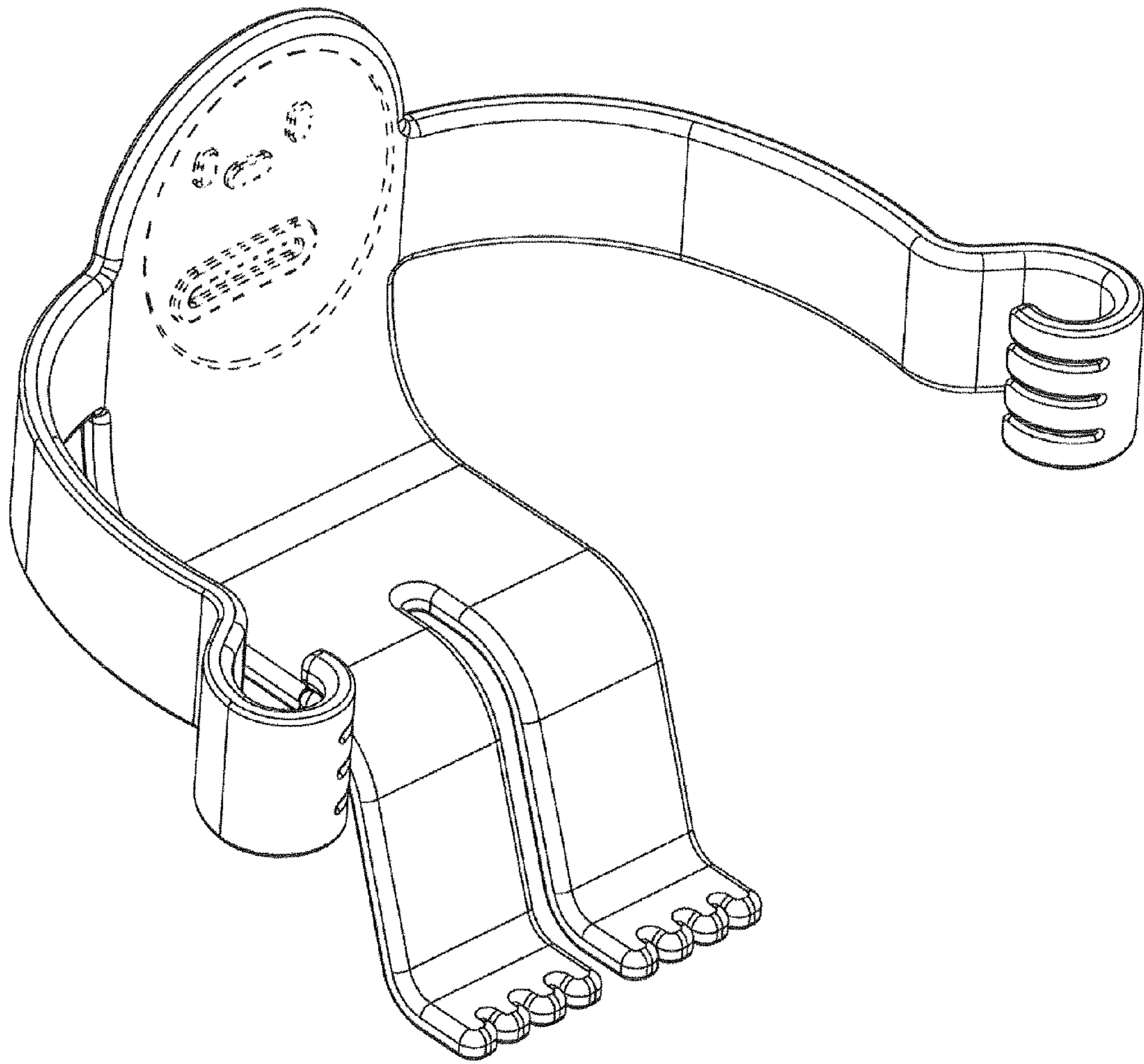


FIG. 1

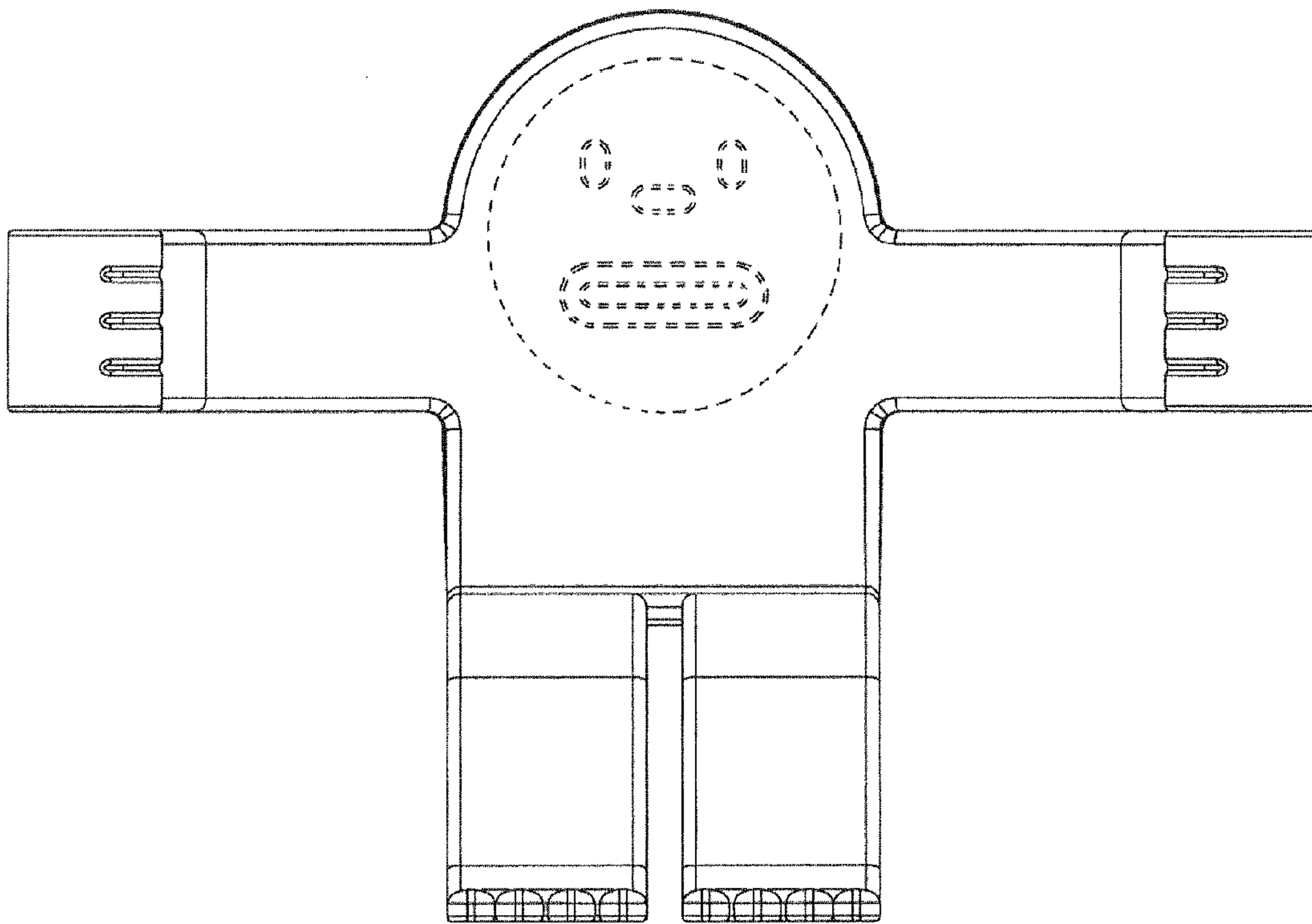


FIG. 2

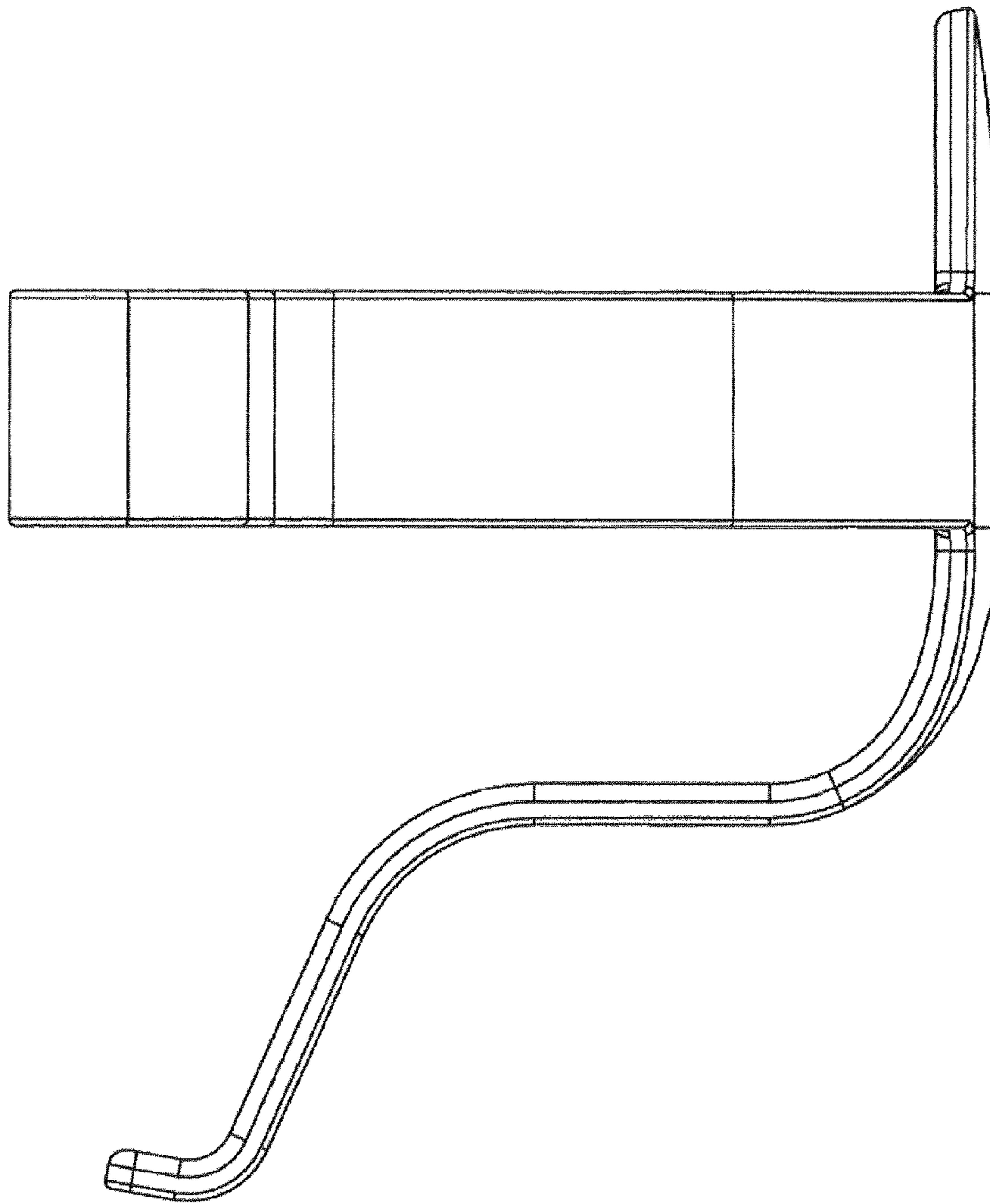


FIG. 3

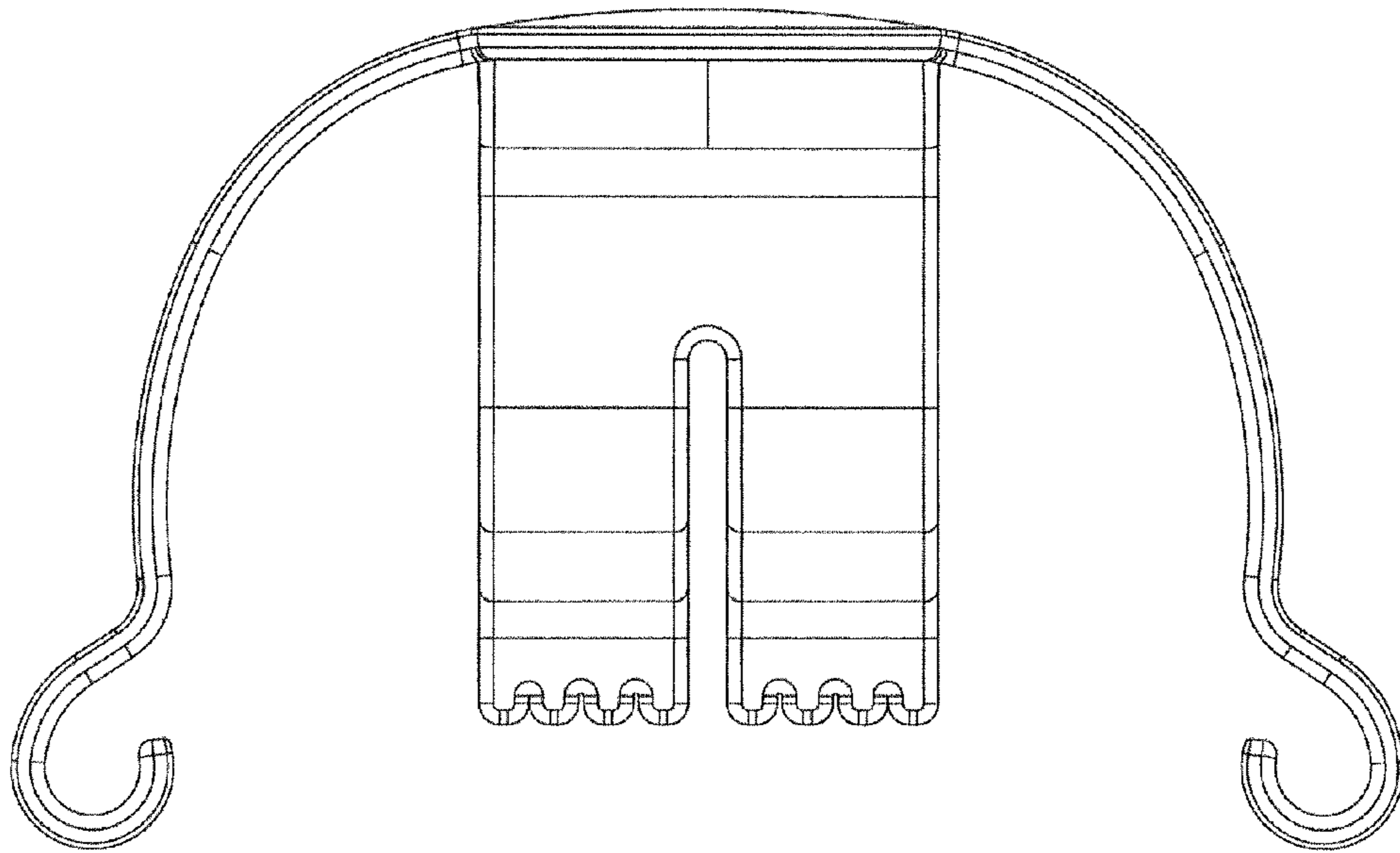


FIG. 4

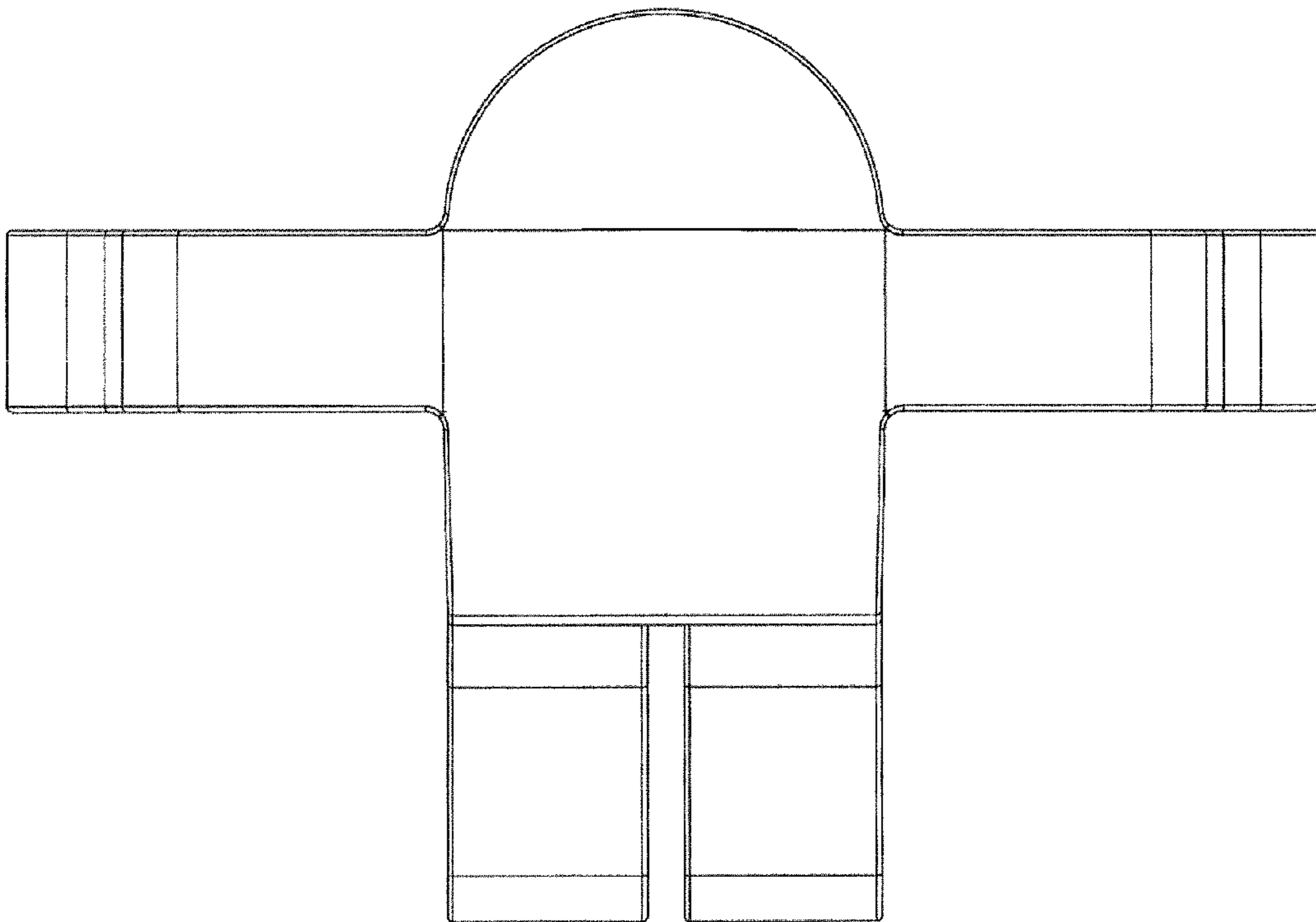


FIG. 5

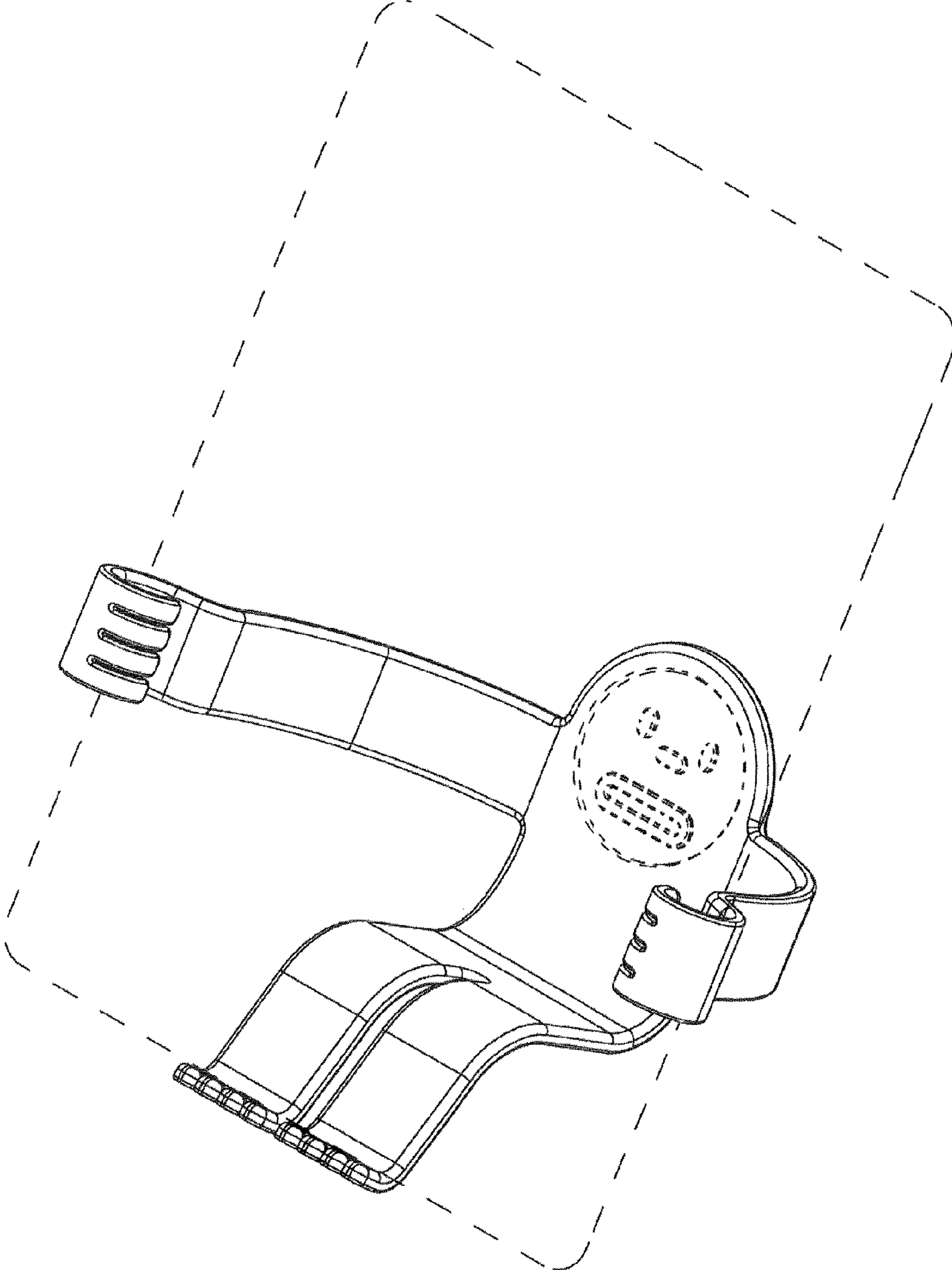


FIG. 6

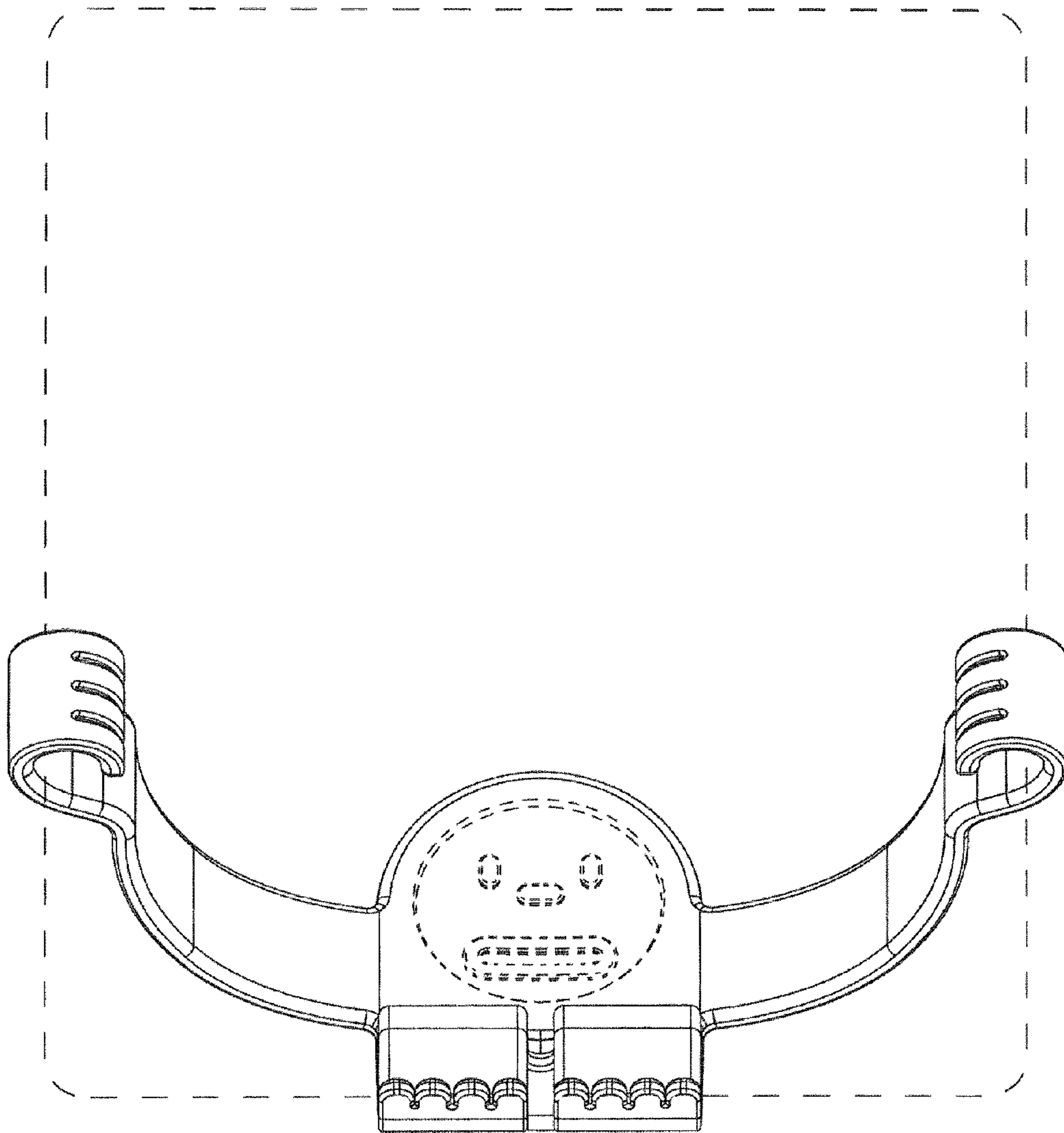


FIG. 7

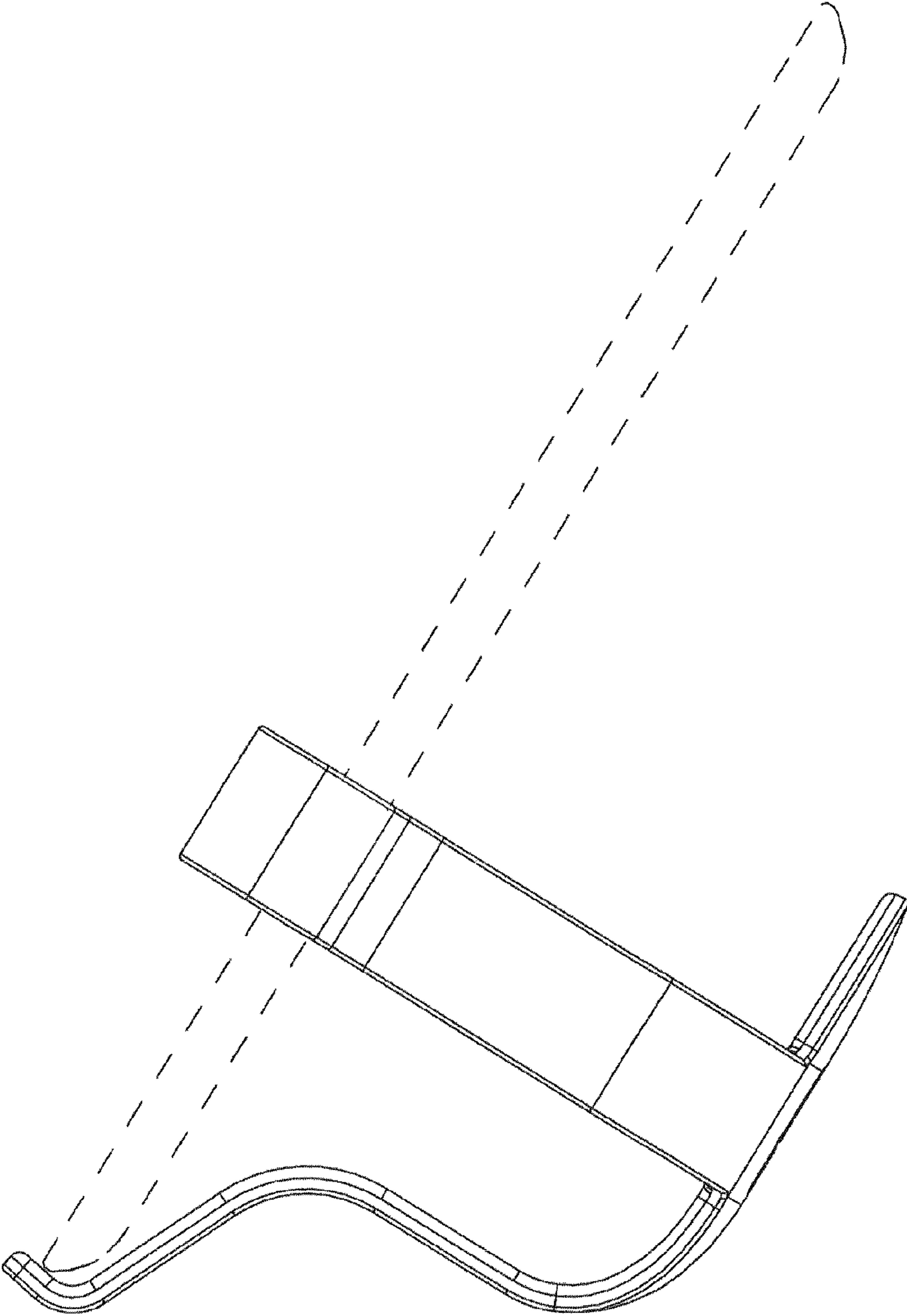


FIG. 8

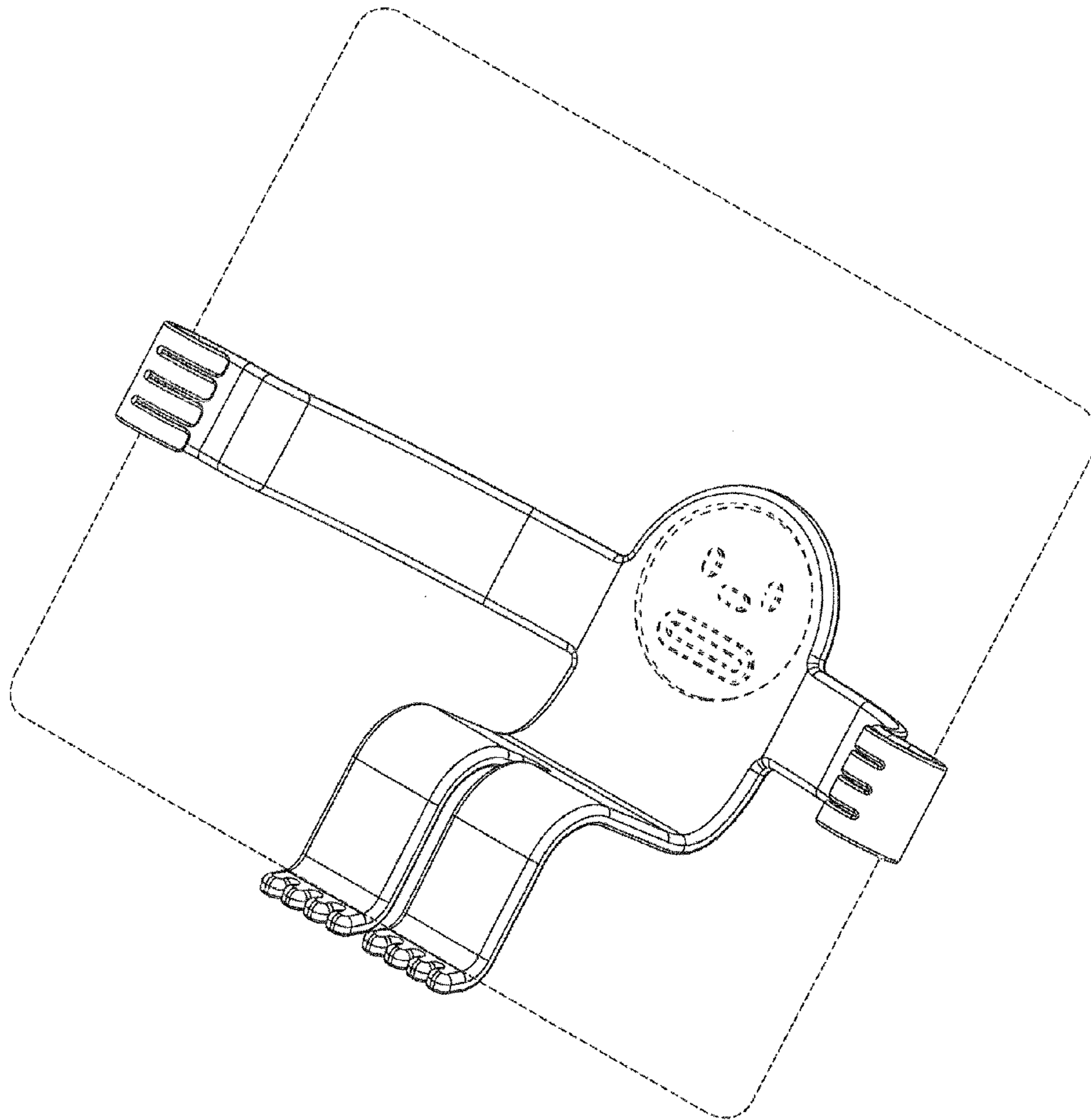


FIG. 9

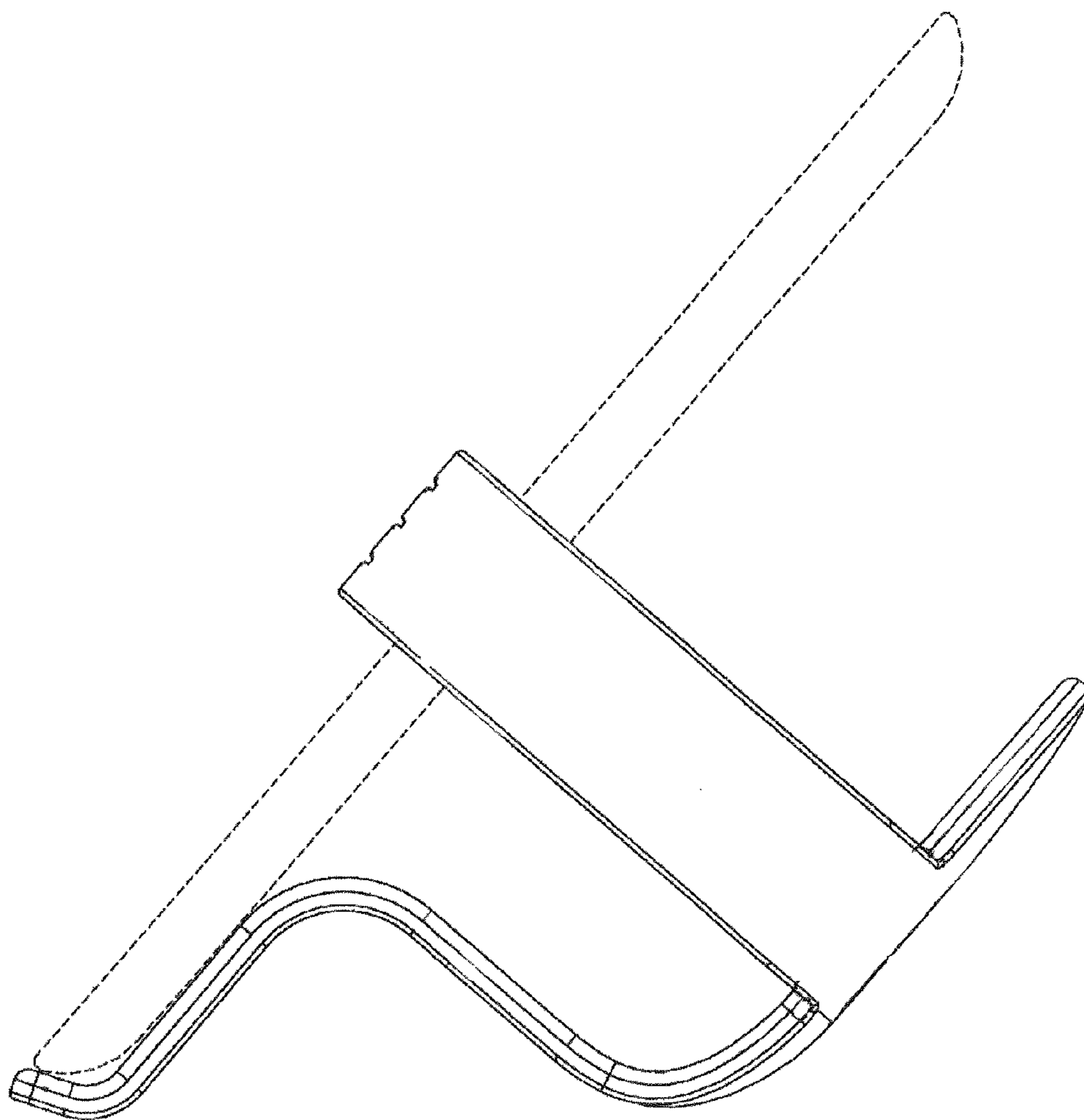


FIG. 10

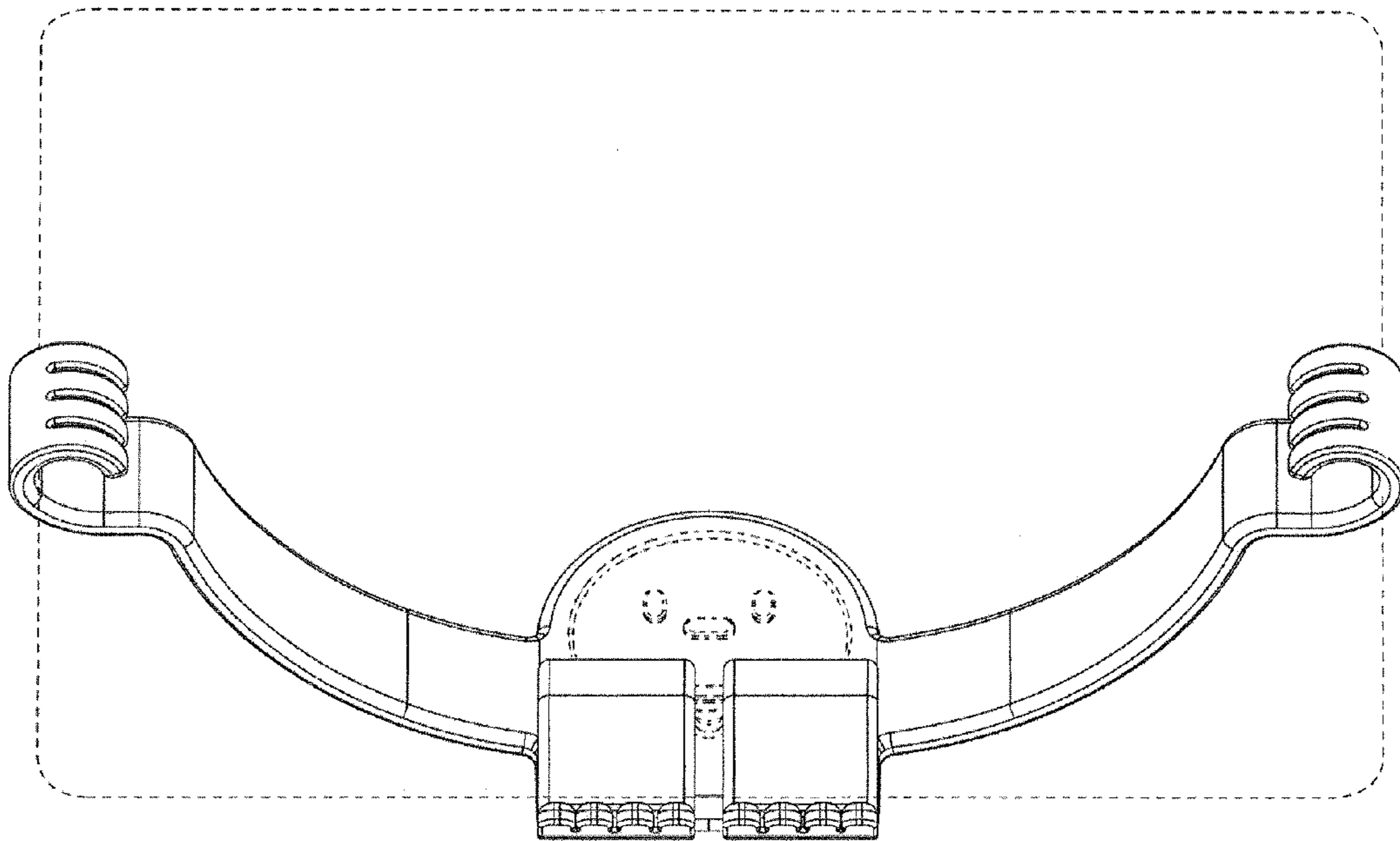


FIG. 11

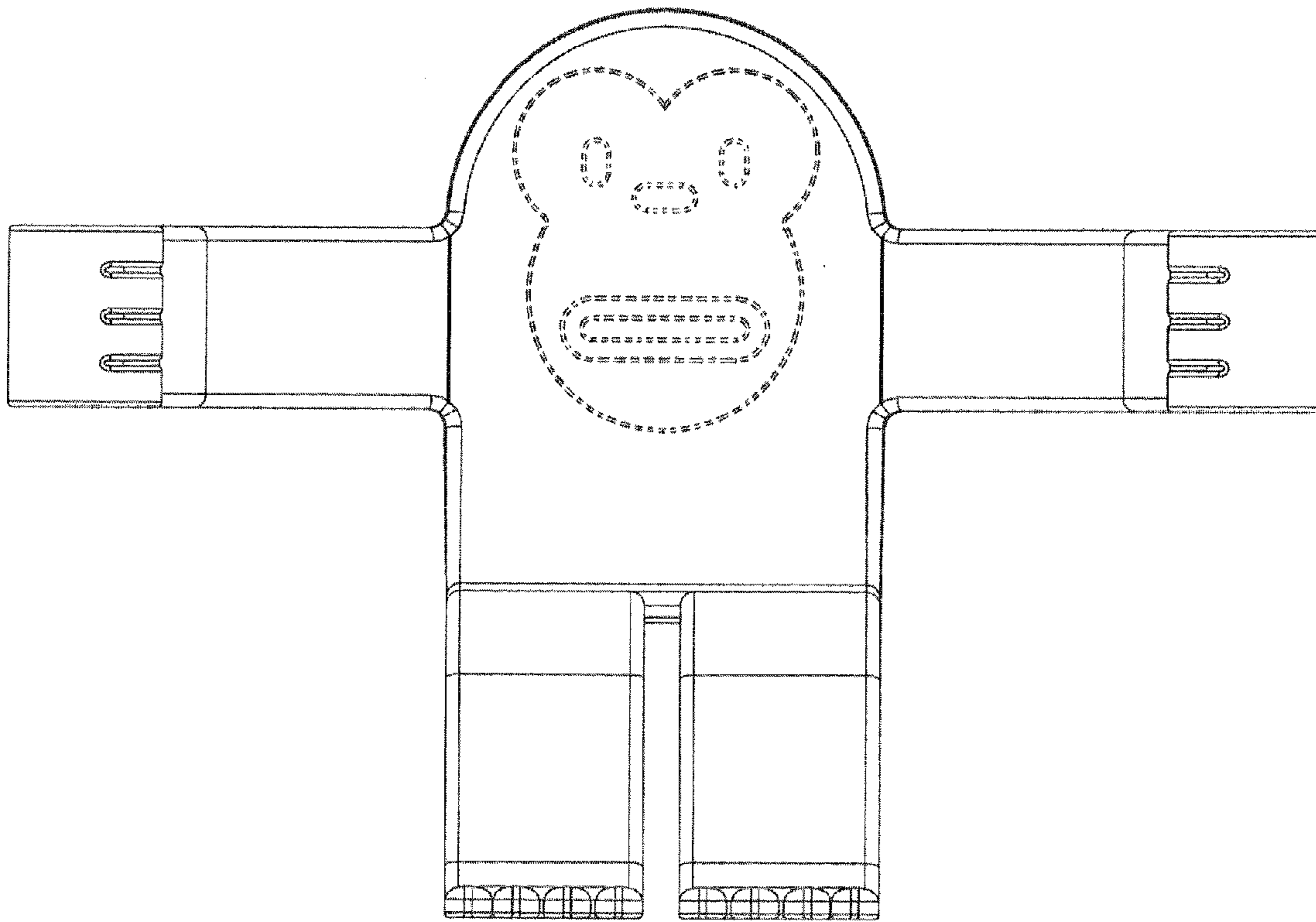


FIG. 12

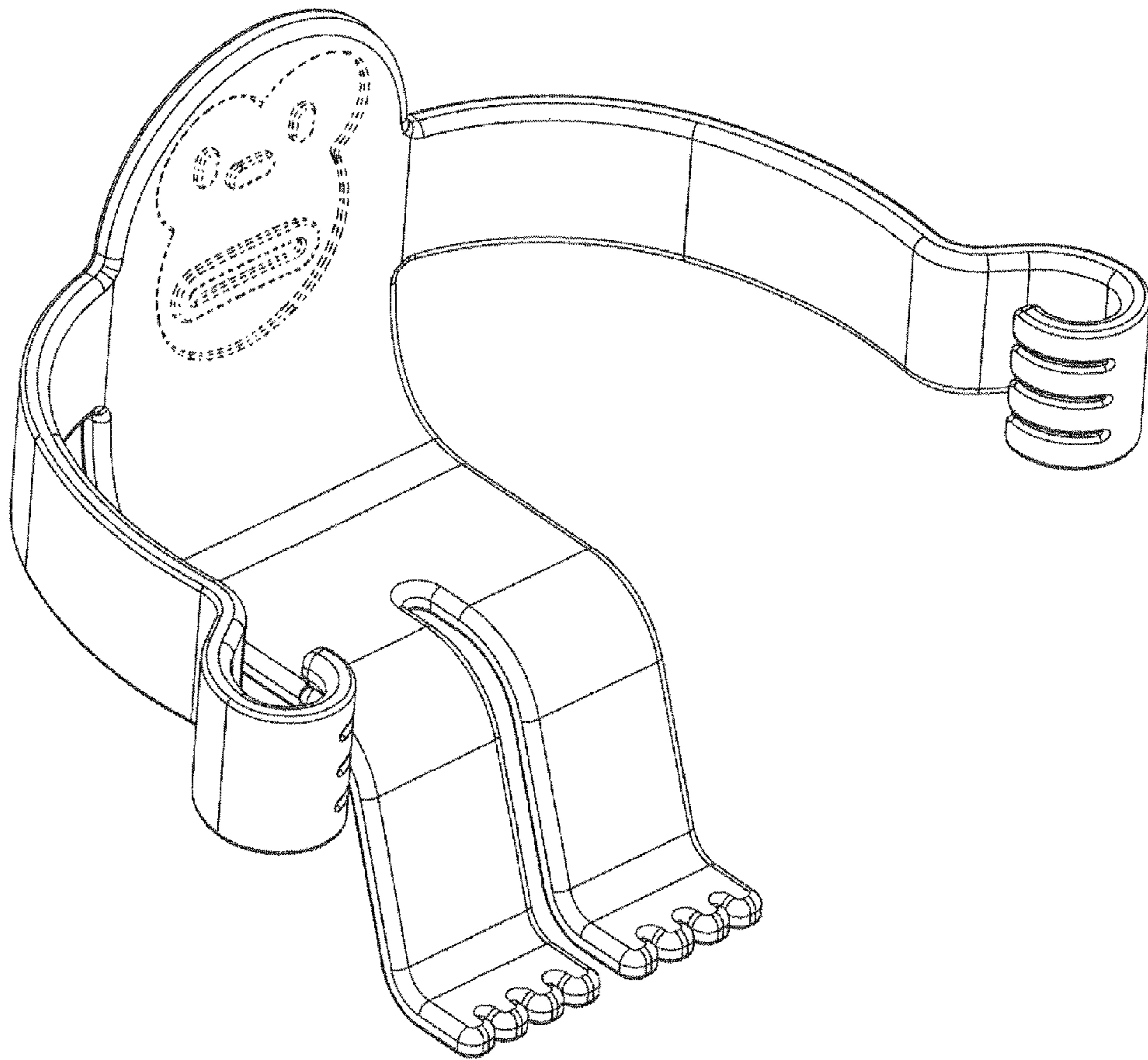


FIG. 13

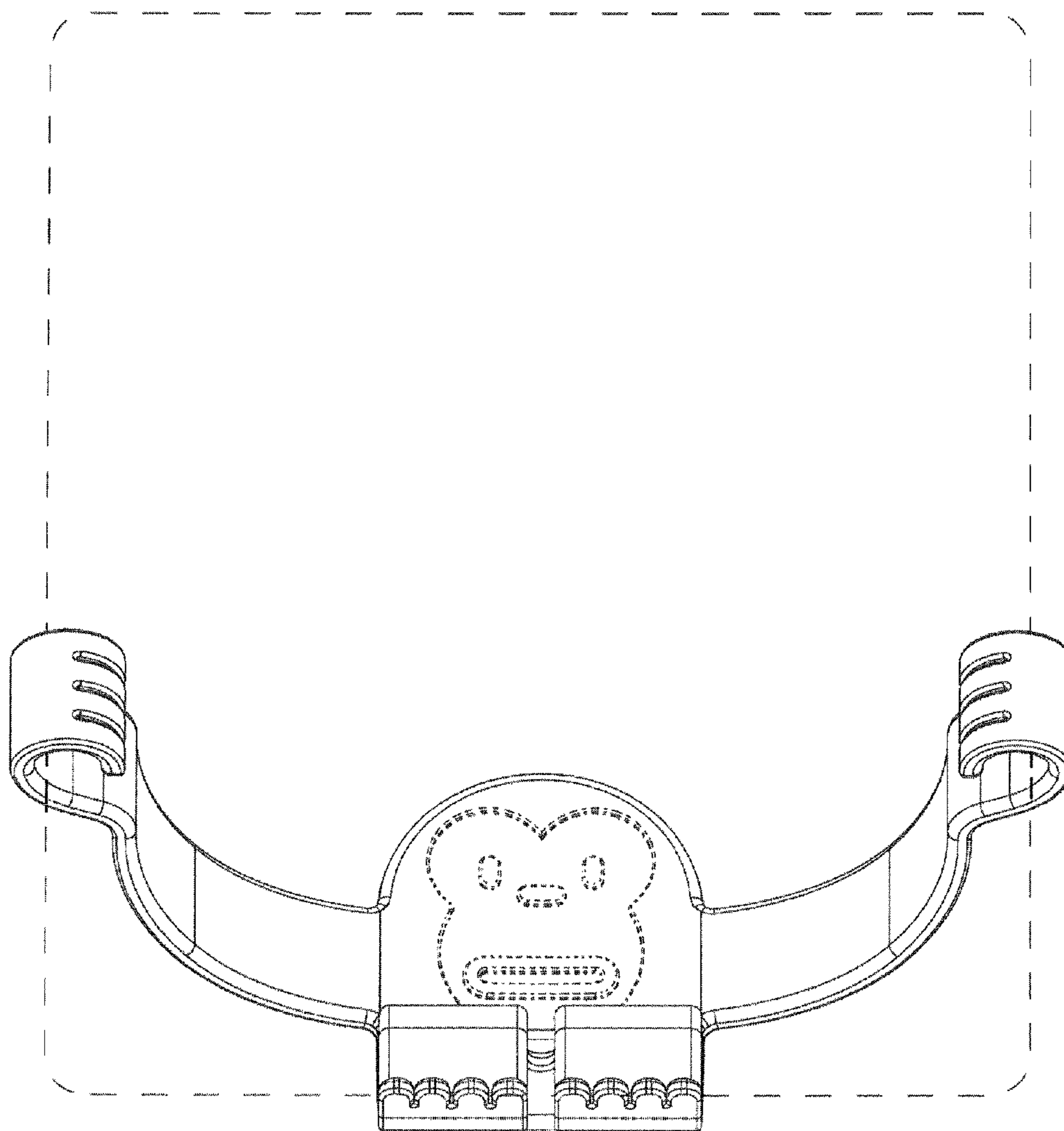


FIG. 14

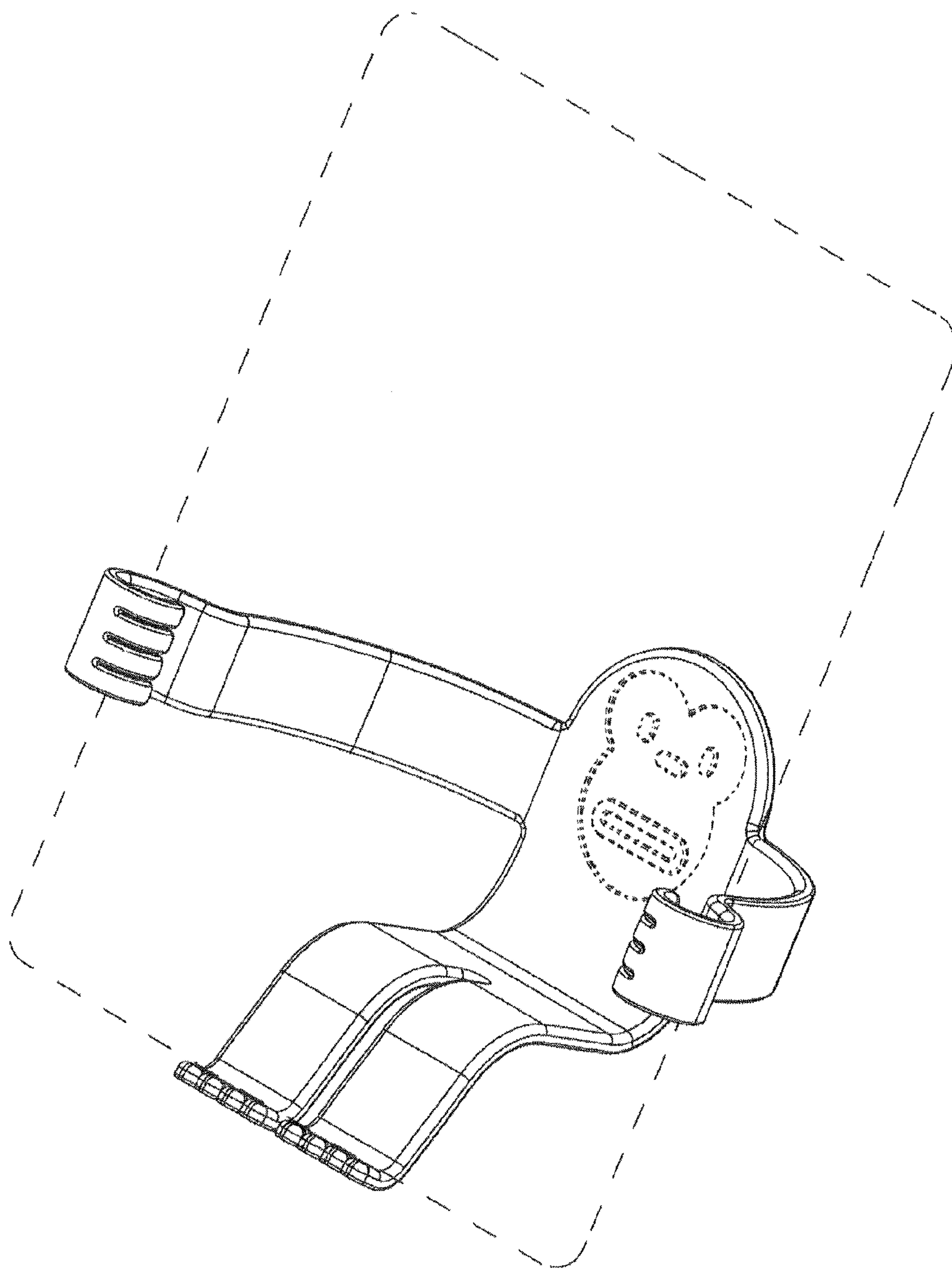


FIG. 15

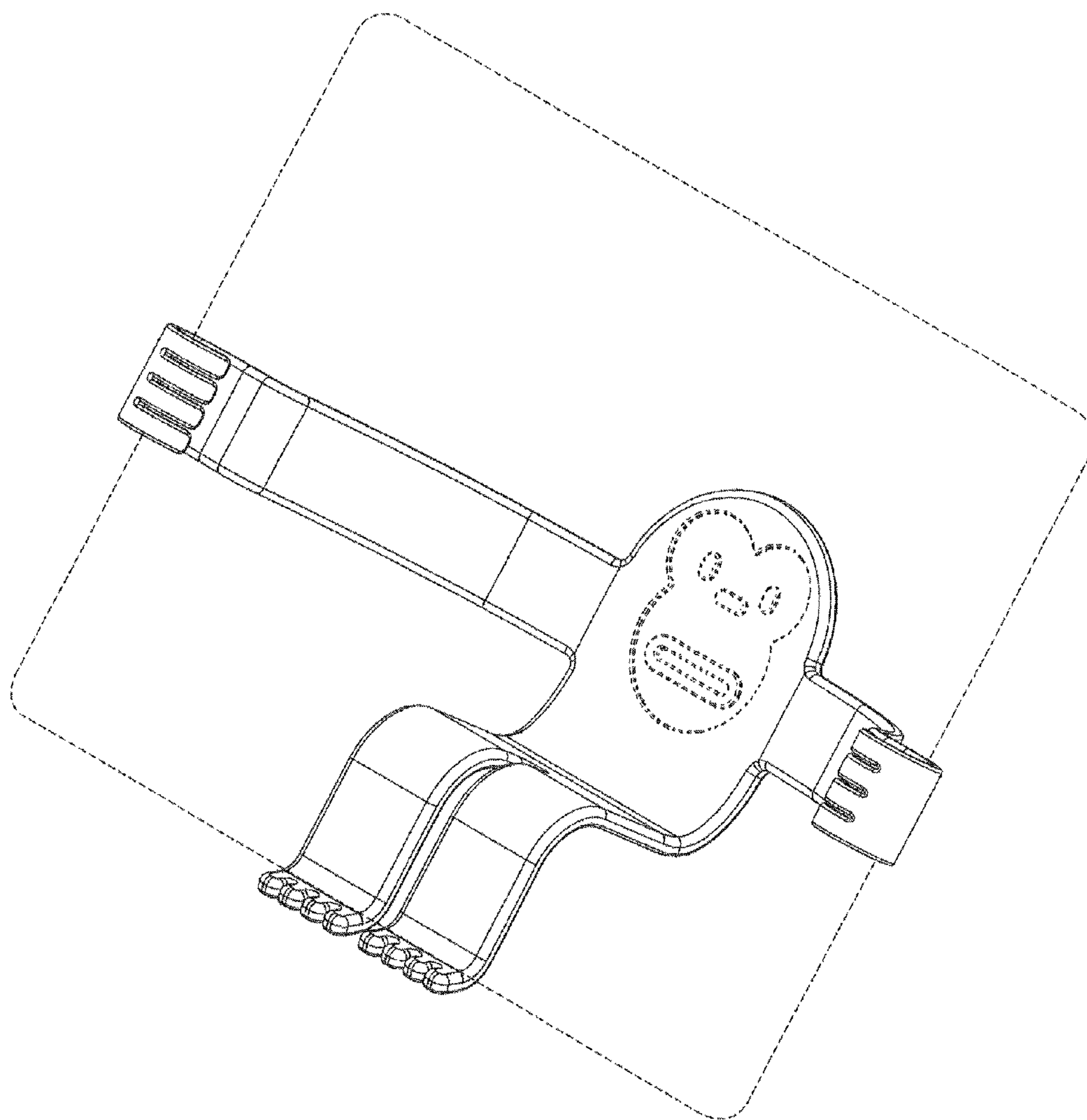


FIG. 16

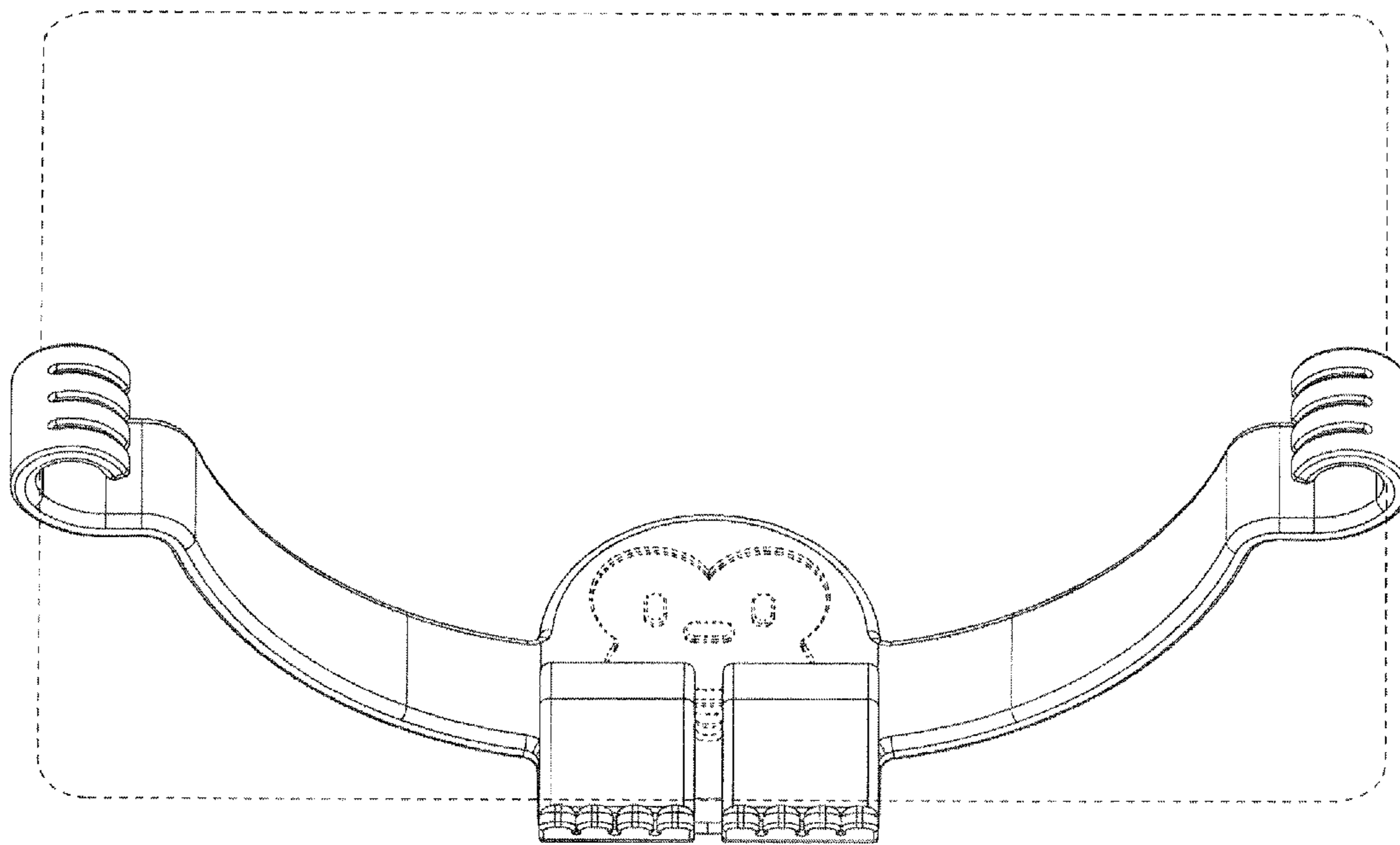


FIG. 17