



US00D682281S

(12) **United States Design Patent**
Barnard et al.

(10) **Patent No.:** **US D682,281 S**

(45) **Date of Patent:** **** May 14, 2013**

- (54) **ELECTRONIC DEVICE HOLDER**
- (75) Inventors: **Brandon Barnard**, Evansville, IN (US);
Karl Fritze, Hastings, MN (US)
- (73) Assignee: **Aspire Innovation, LLC**, Evansville, IN (US)

D603,322 S *	11/2009	Nicieja	D12/415
D631,424 S *	1/2011	Riddiford	D12/415
D645,033 S *	9/2011	Quong et al.	D14/253
D657,356 S *	4/2012	Wikel	D14/253
D657,795 S *	4/2012	Smith et al.	D14/447
D666,205 S *	8/2012	Li et al.	D14/452
8,251,325 B2 *	8/2012	Molter	248/222.51
8,282,060 B2 *	10/2012	Fan	248/291.1
2012/0175474 A1 *	7/2012	Barnard et al.	248/122.1

(**) Term: **14 Years**

* cited by examiner

(21) Appl. No.: **29/407,176**

Primary Examiner — Angela J Lee

(22) Filed: **Nov. 23, 2011**

(74) *Attorney, Agent, or Firm* — Merchant & Gould P.C.

(51) **LOC (9) Cl.** **08-07**

(57) **CLAIM**

(52) **U.S. Cl.**

The ornamental design for an electronic device holder, as shown and described.

USPC **D14/447**

(58) **Field of Classification Search** D14/447,
D14/448, 451, 452, 440, 432, 434, 439, 457,
D14/238.1, 217, 251, 252, 253, 239, 250;
D6/406.3, 406.4, 406.5, 406.6; 361/679.09,
361/679.26, 679.27, 679.28, 679.29, 679.3,
361/679.55, 679.56; 248/917-924, 133,
248/136, 139, 150, 176.1, 188.6, 288.31

DESCRIPTION

See application file for complete search history.

FIG. 1 is a rear, top, right side perspective view of an electronic device holder in accordance with our new design, the electronic device holder shown attached to an electronic device;

(56) **References Cited**

U.S. PATENT DOCUMENTS

D253,594 S *	12/1979	Antenbring	D14/451
7,441,734 B2 *	10/2008	Liou	248/205.5
D592,206 S *	5/2009	O'Brien	D14/253
7,542,052 B2 *	6/2009	Solomon et al.	345/659

FIG. 2 is a rear view thereof;
FIG. 3 is a top view thereof;
FIG. 4 is a bottom view thereof; and,
FIG. 5 is a right side view thereof, with the left side view being a mirror image of the right side view.

The broken lines in the Figures are for illustrative purposes only and form no part of the claimed design.

1 Claim, 4 Drawing Sheets

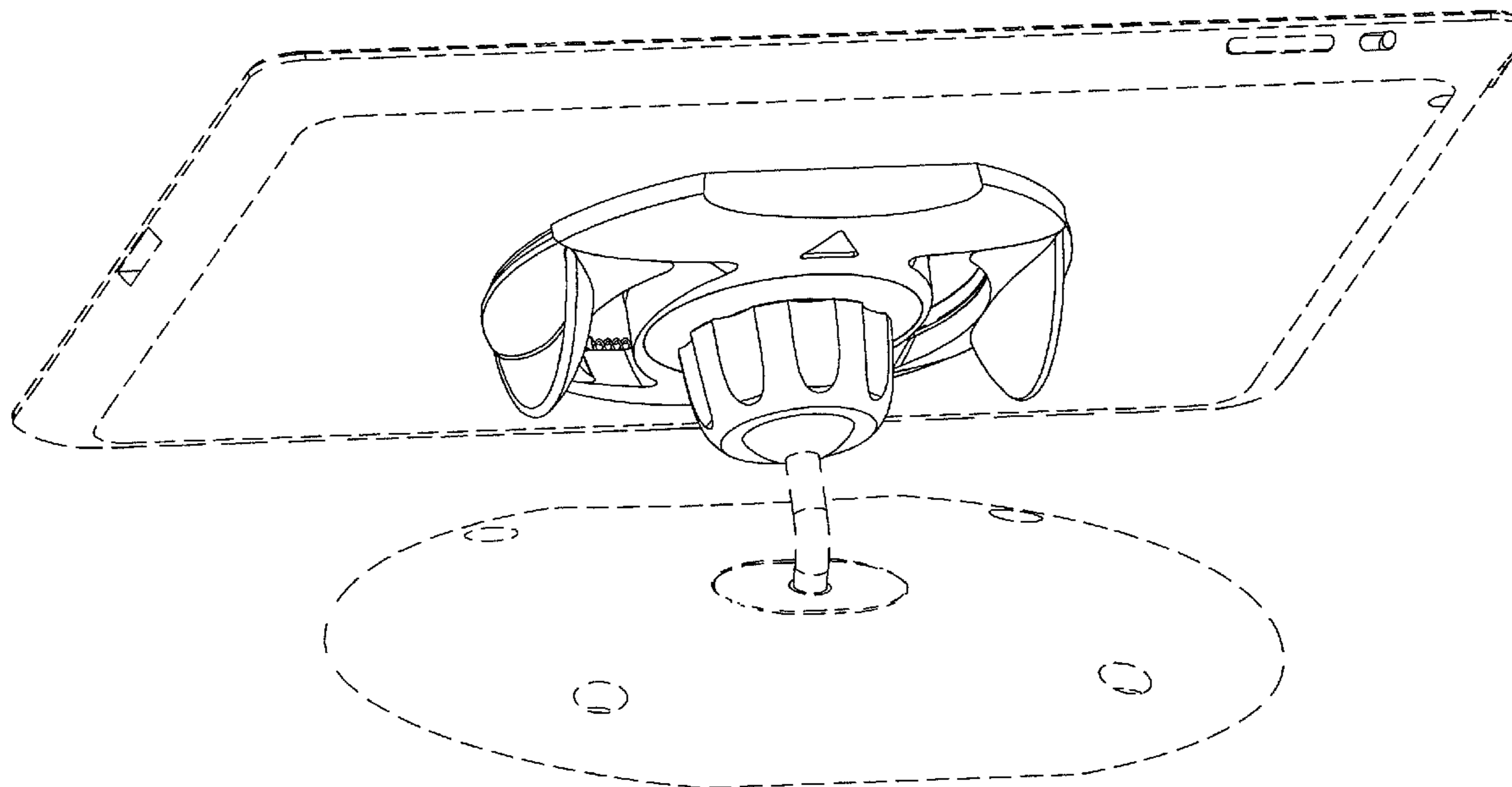


FIG. 1

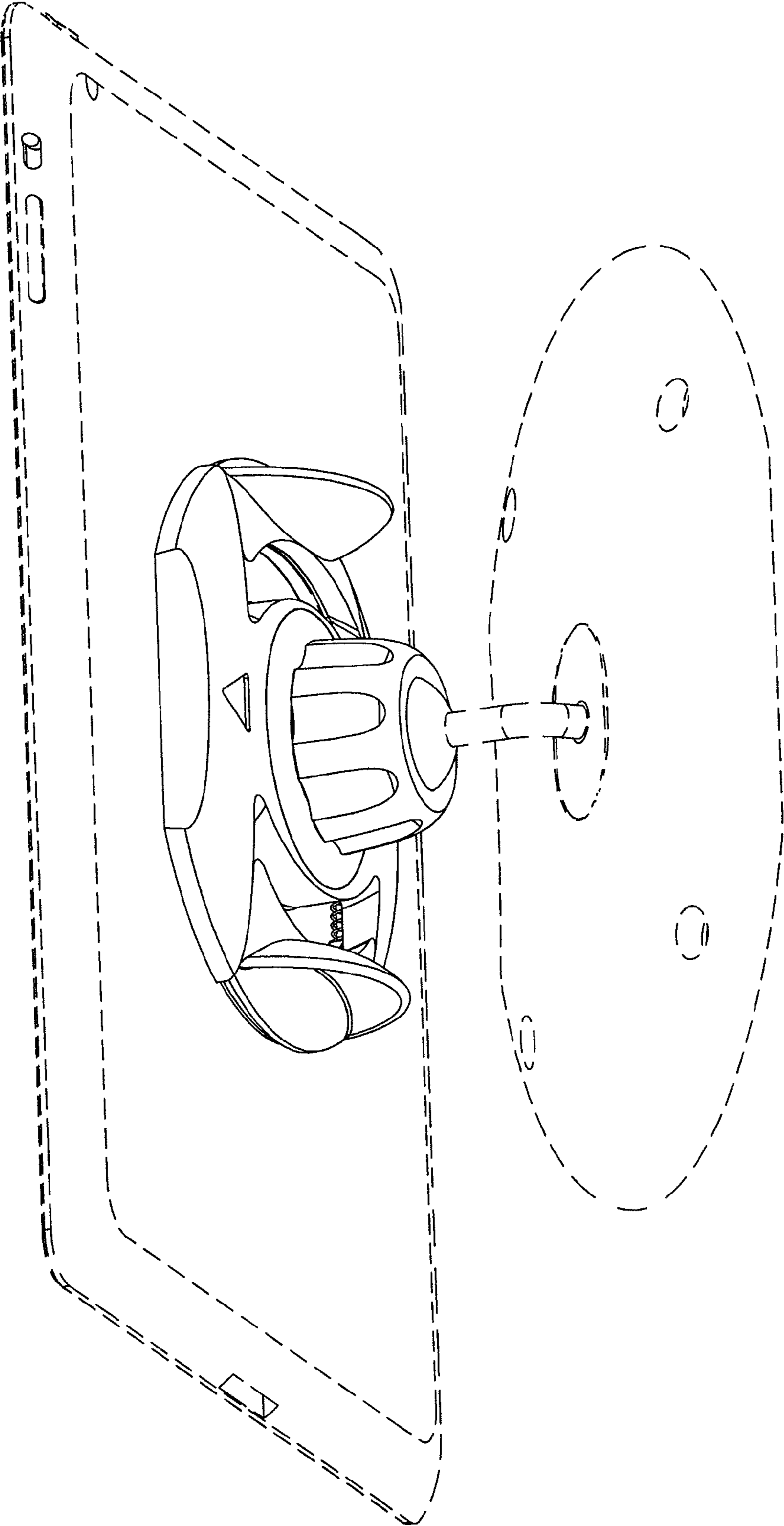


FIG. 2

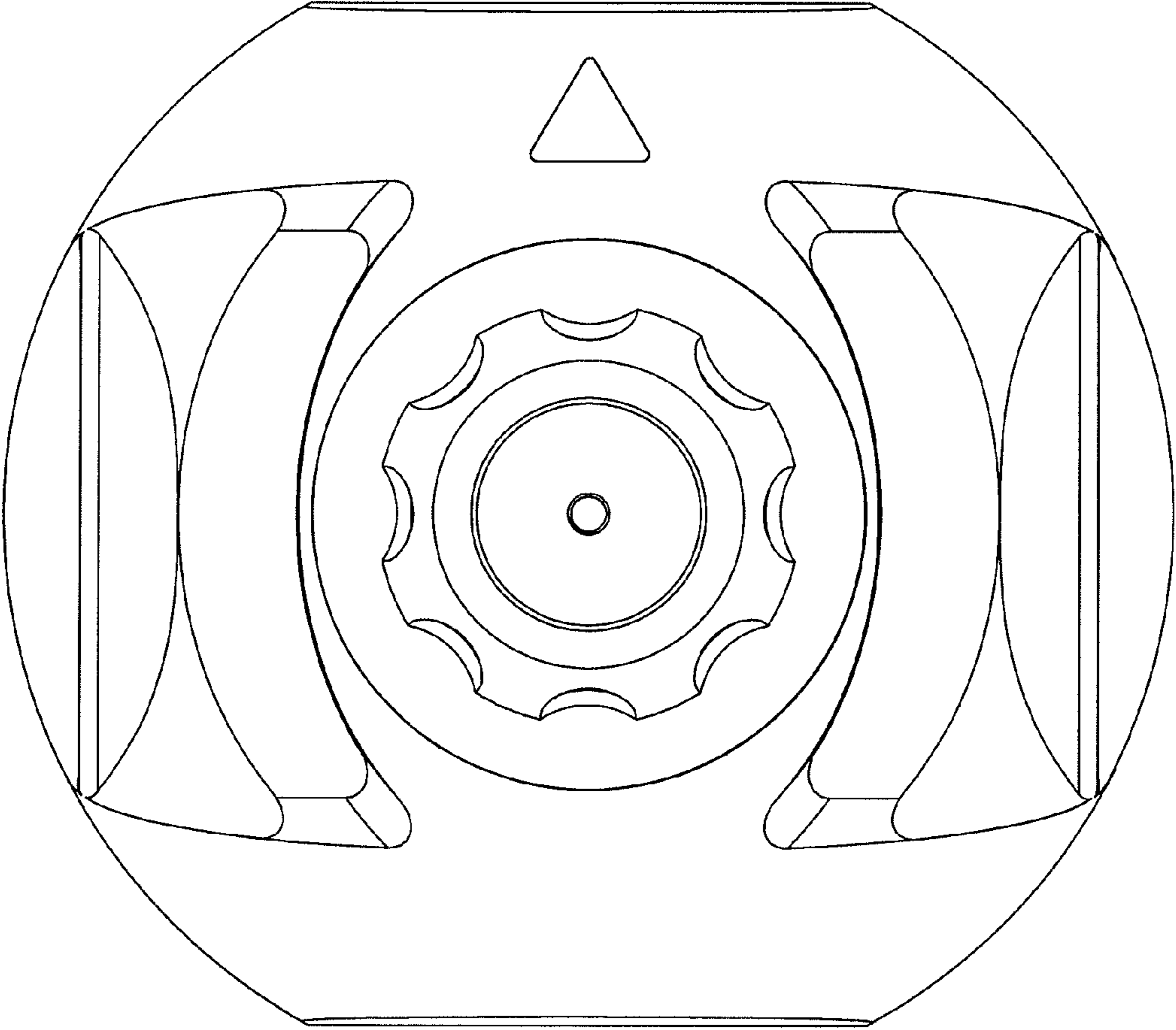


FIG. 3

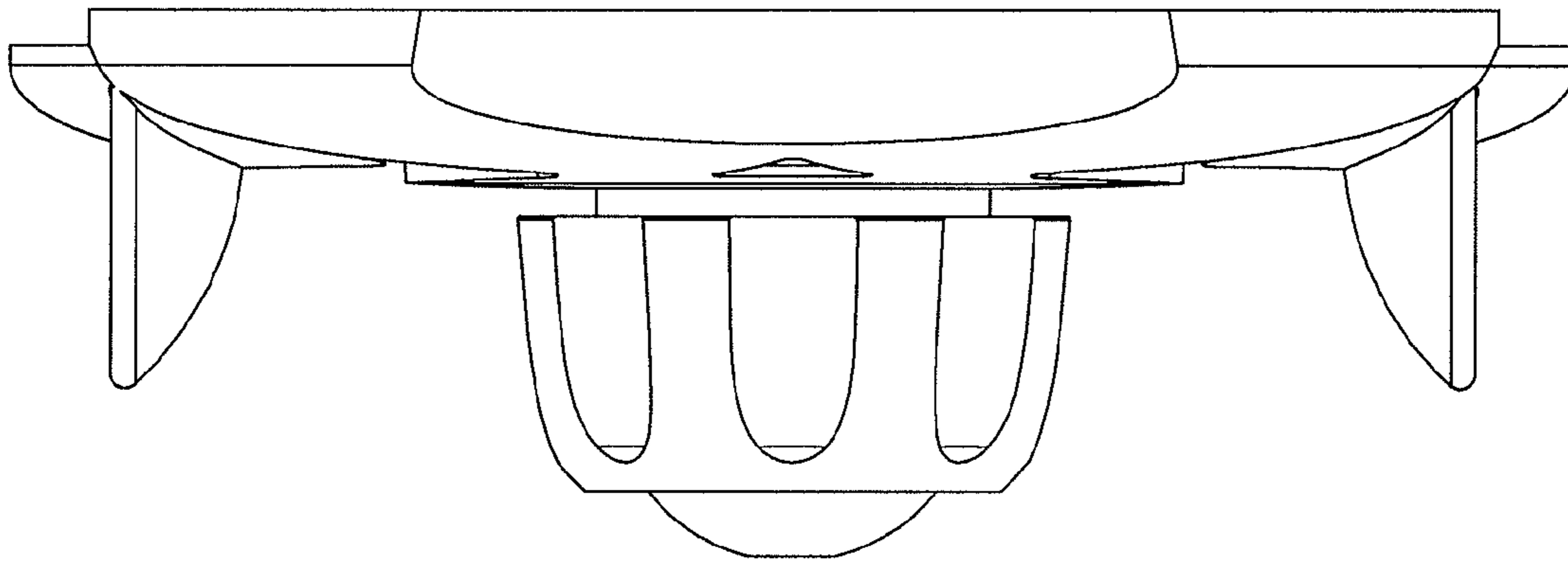


FIG. 4

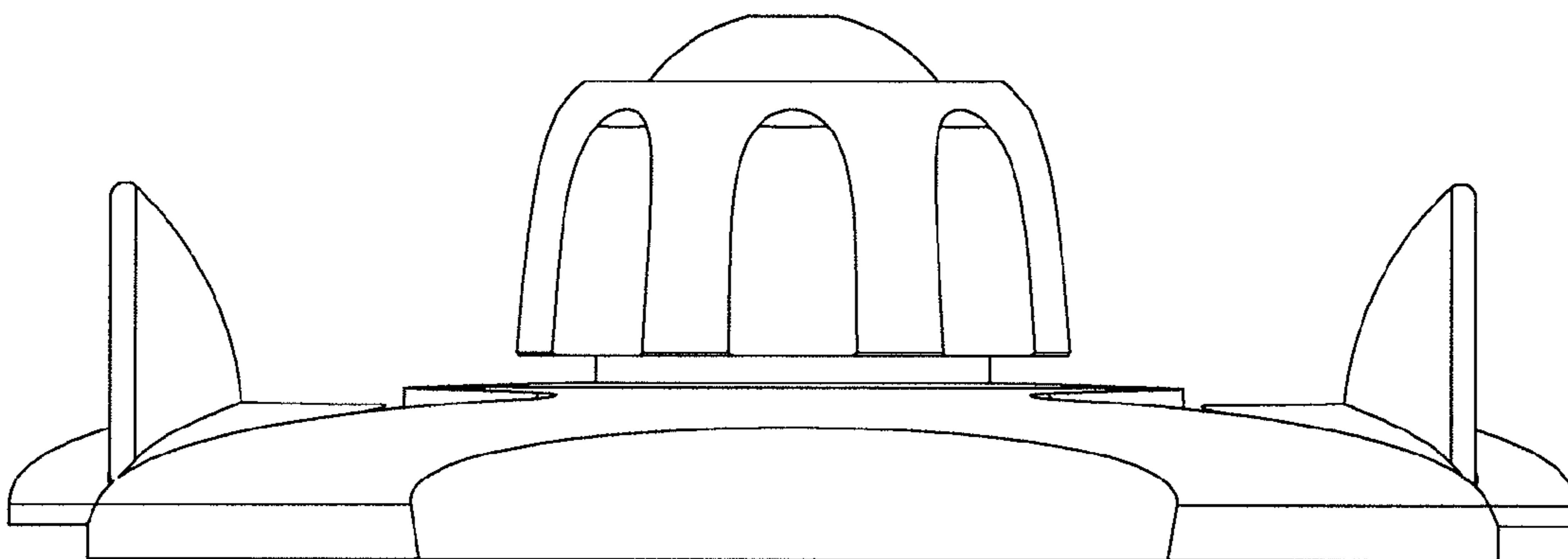


FIG. 5

