



US00D682280S

(12) **United States Design Patent**  
**Vaughan et al.**

(10) **Patent No.:** **US D682,280 S**

(45) **Date of Patent:** **\*\* May 14, 2013**

(54) **SECURITY BEZEL FOR A COMPUTING DEVICE**

(75) Inventors: **Brooks Vaughan**, Tomball, TX (US);  
**Keith J. Kuehn**, Magnolia, TX (US)

(73) Assignee: **Hewlett-Packard Development Company, L.P.**, Houston, TX (US)

(\*\*) Term: **14 Years**

(21) Appl. No.: **29/408,110**

(22) Filed: **Dec. 7, 2011**

(51) **LOC (9) Cl.** ..... **14-02**

(52) **U.S. Cl.**  
USPC ..... **D14/444**

(58) **Field of Classification Search** ..... D14/240,  
D14/300, 301, 308, 313, 349-356, 364-368,  
D14/441-446; D13/162, 184, 199;  
312/223.1-223.3, 351.11; 360/99.01-99.12;  
369/34.01-36.01; 361/679.31-679.33, 679.37,  
361/679.39, 679.46, 679.53, 679.4, 679.57,  
361/679.58; D8/330-331; 70/6, 14, 174,  
70/199, 443

See application file for complete search history.

(56) **References Cited**

U.S. PATENT DOCUMENTS

D323,491	S	*	1/1992	Lakoski et al.	.....	D14/442
5,305,621	A	*	4/1994	Broadwater	.....	70/14
5,397,176	A	*	3/1995	Allen et al.	.....	312/223.2
6,088,229	A	*	7/2000	Seto et al.	.....	361/726
6,128,185	A	*	10/2000	Fuhs et al.	.....	361/679.57
6,246,572	B1	*	6/2001	Myers et al.	.....	361/679.57
6,816,370	B2	*	11/2004	Searby et al.	.....	361/679.58
7,054,144	B2	*	5/2006	Heistand et al.	.....	361/679.57
D632,689	S	*	2/2011	Busri et al.	.....	D14/356
7,974,092	B2	*	7/2011	Zhang	.....	361/679.58
2009/0243445	A1	*	10/2009	Vaughan et al.	.....	312/223.1
2011/0279972	A1	*	11/2011	Xue	.....	361/679.57

\* cited by examiner

*Primary Examiner* — Freda S Nunn

(57) **CLAIM**

The ornamental design for a security bezel for a computing device, as shown and described.

**DESCRIPTION**

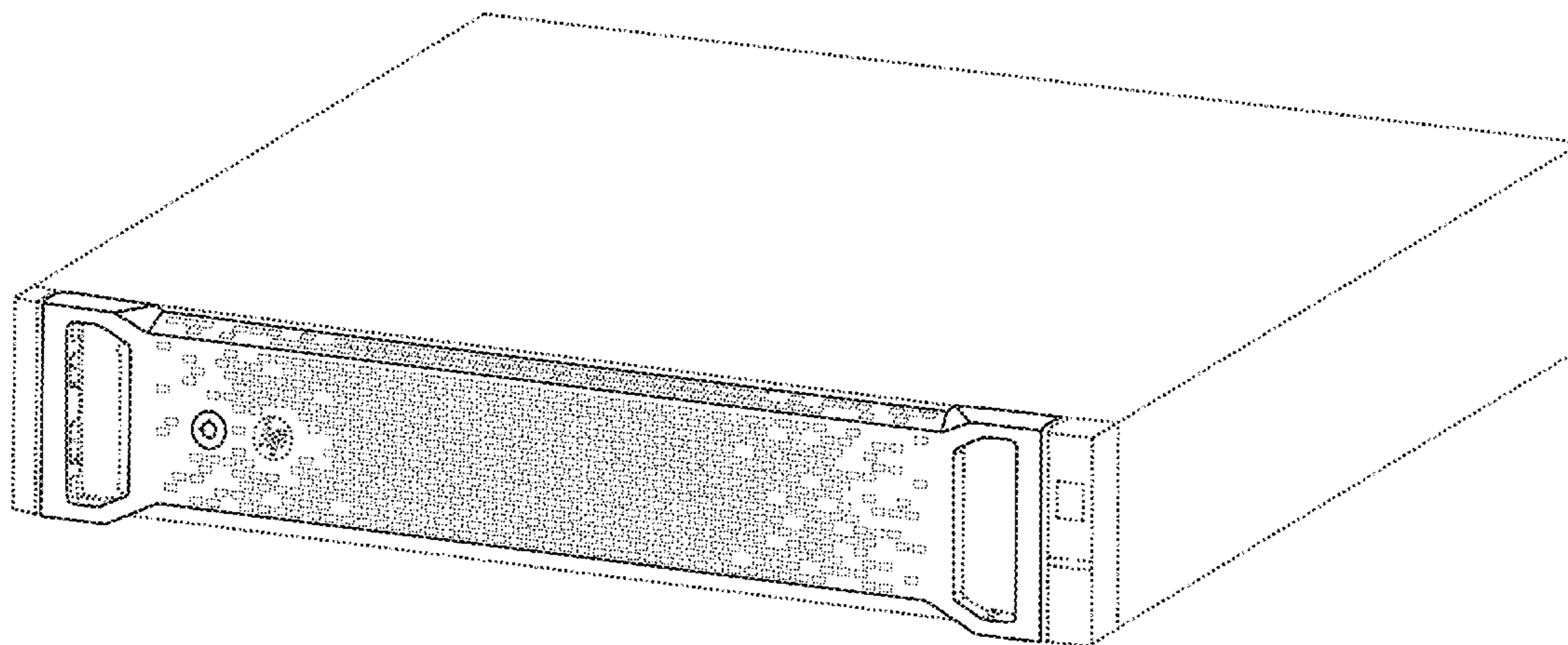
FIG. 1 is a front perspective view of a security bezel for a computing device;

FIG. 2 is a front view of the security bezel for a computing device; and,

FIG. 3 is a top view of the security bezel for a computing device.

The broken lines shown in the drawings illustrate portions of the security bezel for a computing device and form no part of the claimed design.

**1 Claim, 3 Drawing Sheets**



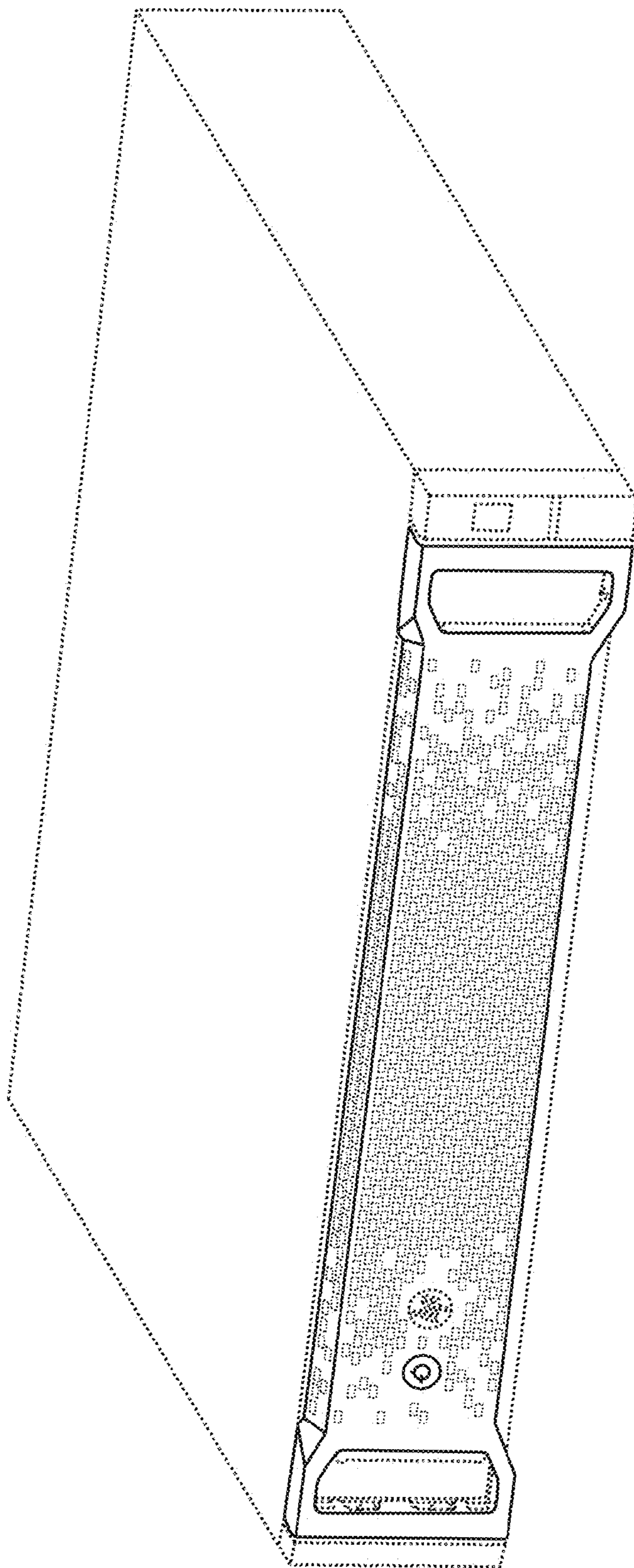


FIG. 1

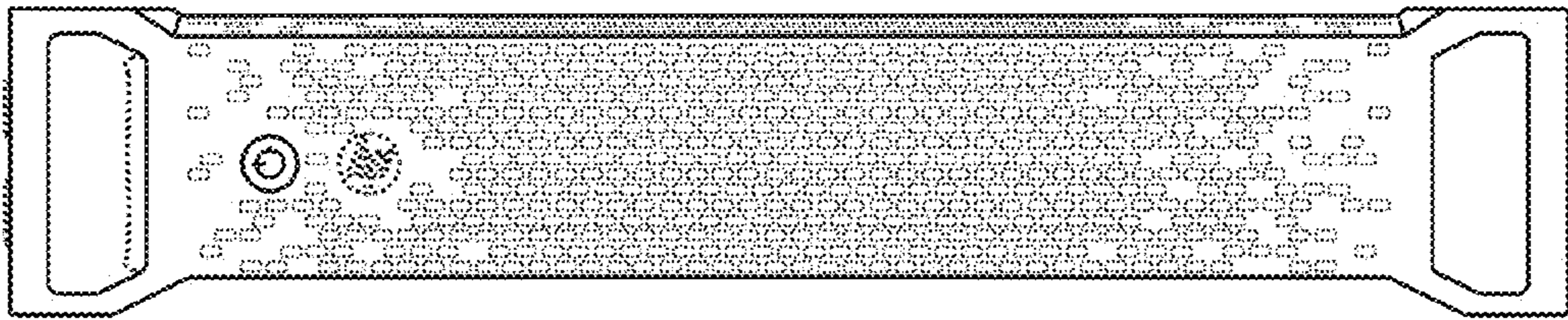


FIG. 2



FIG. 3