



US00D682279S

(12) **United States Design Patent**
Fuchs

(10) **Patent No.:** **US D682,279 S**

(45) **Date of Patent:** **** May 14, 2013**

(54) **CASE FOR A TABLET COMPUTING DEVICE**

(76) Inventor: **Christian Fuchs, Saalfelden (AT)**

(**) Term: **14 Years**

(21) Appl. No.: **29/409,239**

(22) Filed: **Dec. 21, 2011**

(30) **Foreign Application Priority Data**

Aug. 30, 2011 (EM) 001909698-0001

(51) **LOC (9) Cl.** **14-02**

(52) **U.S. Cl.**
USPC **D14/440**

(58) **Field of Classification Search** D14/250,
D14/251, 253, 240, 217, 496, 440, 203.3,
D14/203.4, 203.5, 203.8, 432, 439, 300;
D3/218, 215, 201, 276, 900, 301, 303; 220/4.02;
248/309.1; 361/679.56, 679.03, 683, 679.09;
379/426, 433.11, 455; 455/575.1, 575.8;
190/100; 206/305, 320; D9/742, 443; 345/173
See application file for complete search history.

(56) **References Cited**

U.S. PATENT DOCUMENTS

4,044,980	A *	8/1977	Cummins	248/456
4,467,920	A *	8/1984	Smith	206/457
D286,773	S *	11/1986	Pauser	D14/299
4,718,550	A *	1/1988	Johnson	206/387.13
D306,583	S *	3/1990	Krolopp et al.	D14/137
D386,677	S *	11/1997	Abiteboul	D3/271.5
D398,527	S *	9/1998	Maceachern et al.	D9/432
6,158,588	A *	12/2000	Conti	206/457
D546,878	S *	7/2007	Bharma	D19/26
D579,975	S *	11/2008	Brown	D19/26
D600,699	S *	9/2009	Johnston et al.	D14/440
D602,017	S *	10/2009	Andre et al.	D14/341
D603,166	S *	11/2009	Becker	D3/301
D607,157	S *	12/2009	Ciciora	D30/160
D611,045	S *	3/2010	Andre et al.	D14/327

D621,125	S *	8/2010	Heintzelman	D99/28
7,861,995	B2 *	1/2011	Liou	248/454
D634,313	S *	3/2011	Fitzpatrick et al.	D14/250
D637,596	S *	5/2011	Akana et al.	D14/341
D639,806	S *	6/2011	Lee et al.	D14/345
D639,816	S *	6/2011	Bau	D14/447
D642,615	S *	8/2011	Naimi	D19/26
D652,831	S *	1/2012	Lee et al.	D14/315
D658,173	S *	4/2012	Kim	D14/345
D659,139	S *	5/2012	Gengler	D14/392
D662,100	S *	6/2012	Van Den Nieuwenhuizen et al.	D14/440
D663,304	S *	7/2012	Akana et al.	D14/440
8,230,992	B2 *	7/2012	Law et al.	206/320

(Continued)

Primary Examiner — Cynthia Underwood

(74) *Attorney, Agent, or Firm* — Scully, Scott, Murphy & Presser, P.C.

(57) **CLAIM**

The ornamental design for a case for a tablet computing device, as shown and described.

DESCRIPTION

FIG. 1 illustrates a front perspective view of a case for a tablet computing device shown in an unfolded condition of use according to an embodiment of my new and ornamental design;

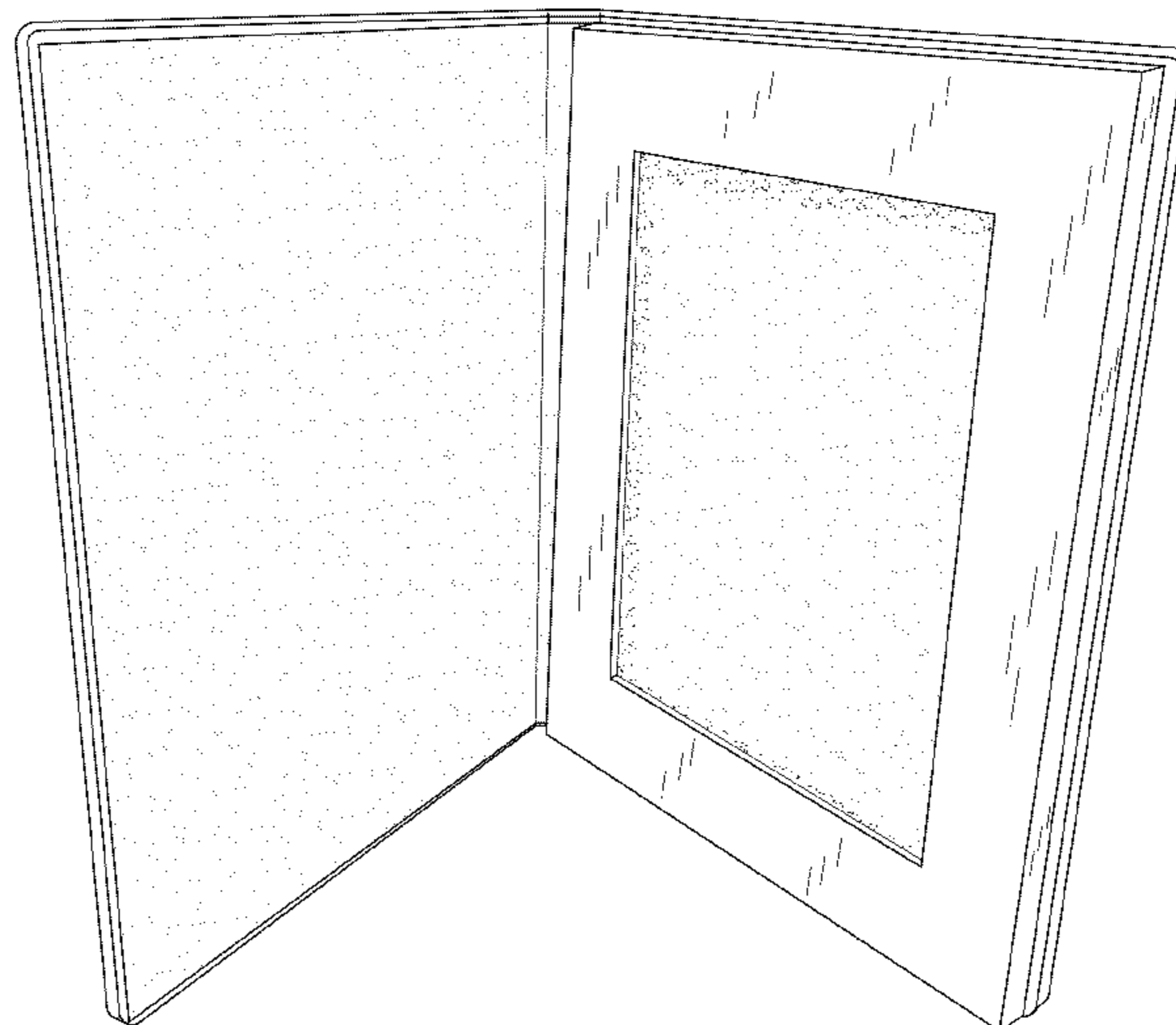
FIG. 2 illustrates a top perspective view of the case for a tablet computing device shown in a partially unfolded condition of use, shown in FIG. 1;

FIG. 3 illustrates a left perspective view of the case for a tablet computing device shown in a partially unfolded condition of use;

FIG. 4 illustrates a back perspective view of the spine of the case for a tablet computing device shown in a partially unfolded condition of use; and,

FIG. 5 illustrates a top perspective view of the case for a tablet computing device shown in an unfolded condition of use.

1 Claim, 5 Drawing Sheets



US D682,279 S

Page 2

U.S. PATENT DOCUMENTS

D665,810 S *	8/2012	Jones et al.	D14/440	2010/0300909 A1*	12/2010	Hung	206/320
2001/0040561 A1*	11/2001	Weinzierl et al.	345/169	2012/0043231 A1*	2/2012	Perrier et al.	206/216
2010/0294909 A1*	11/2010	Hauser et al.	248/456	* cited by examiner				

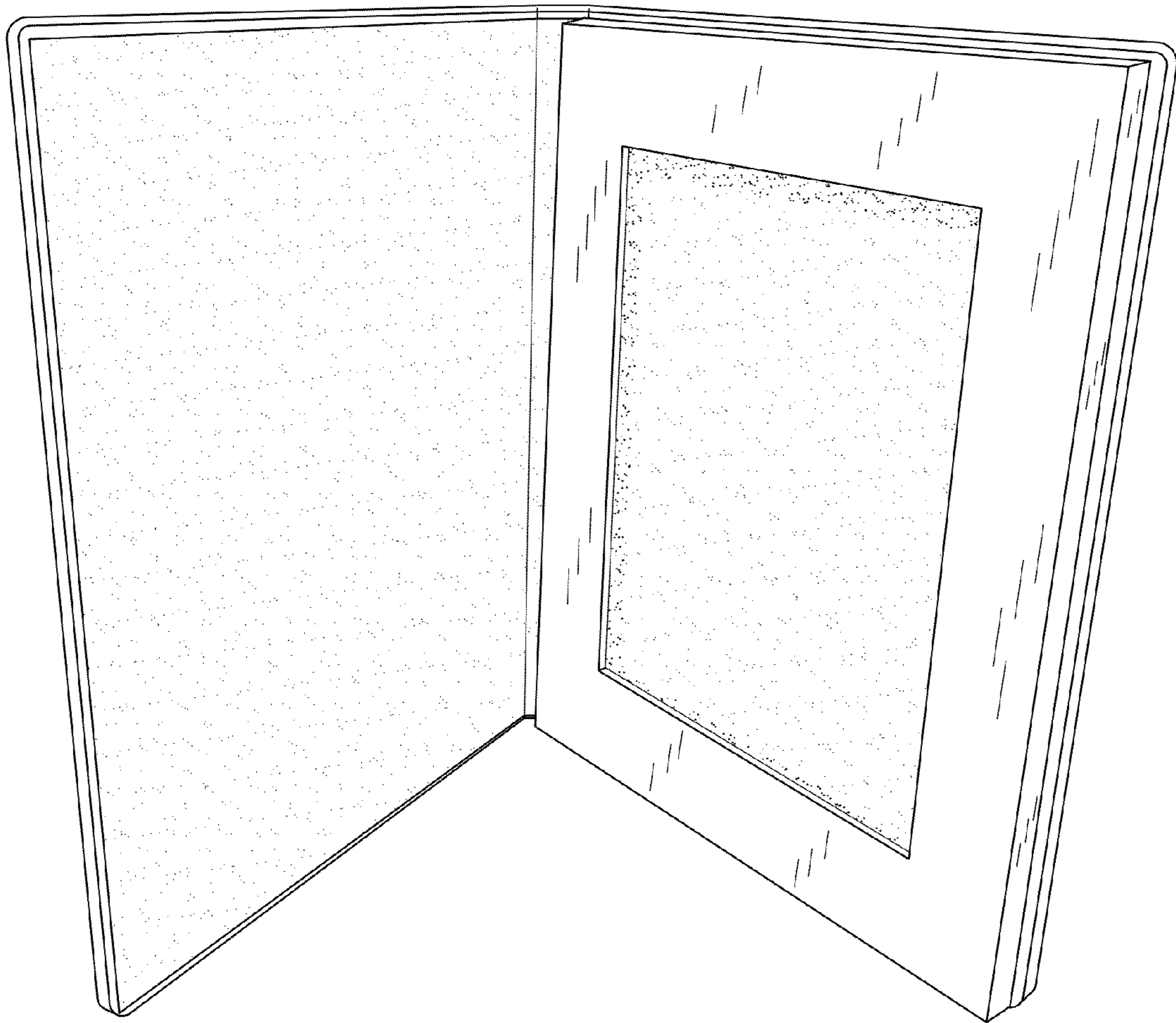


FIG. 1

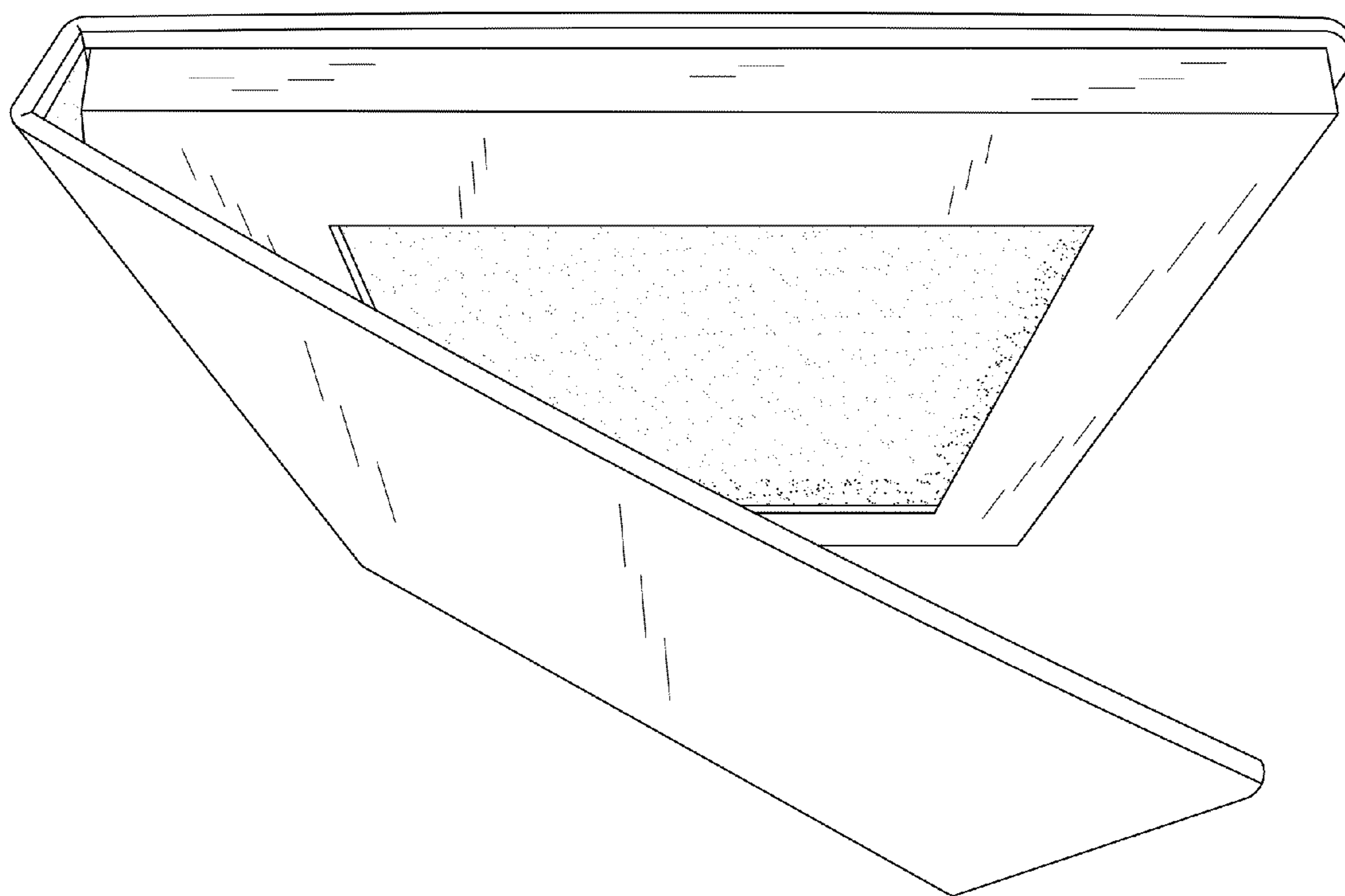


FIG. 2

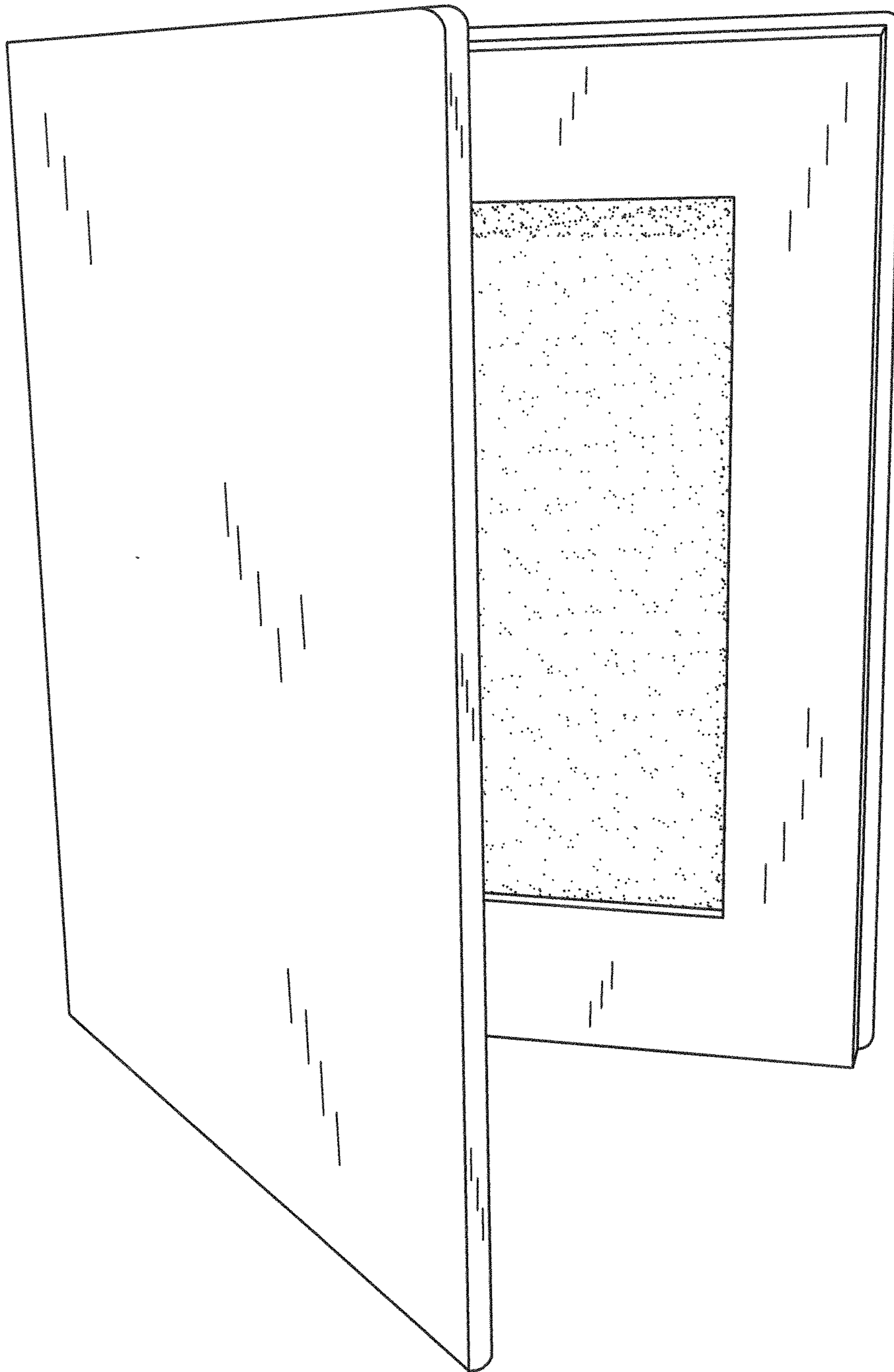


FIG. 3

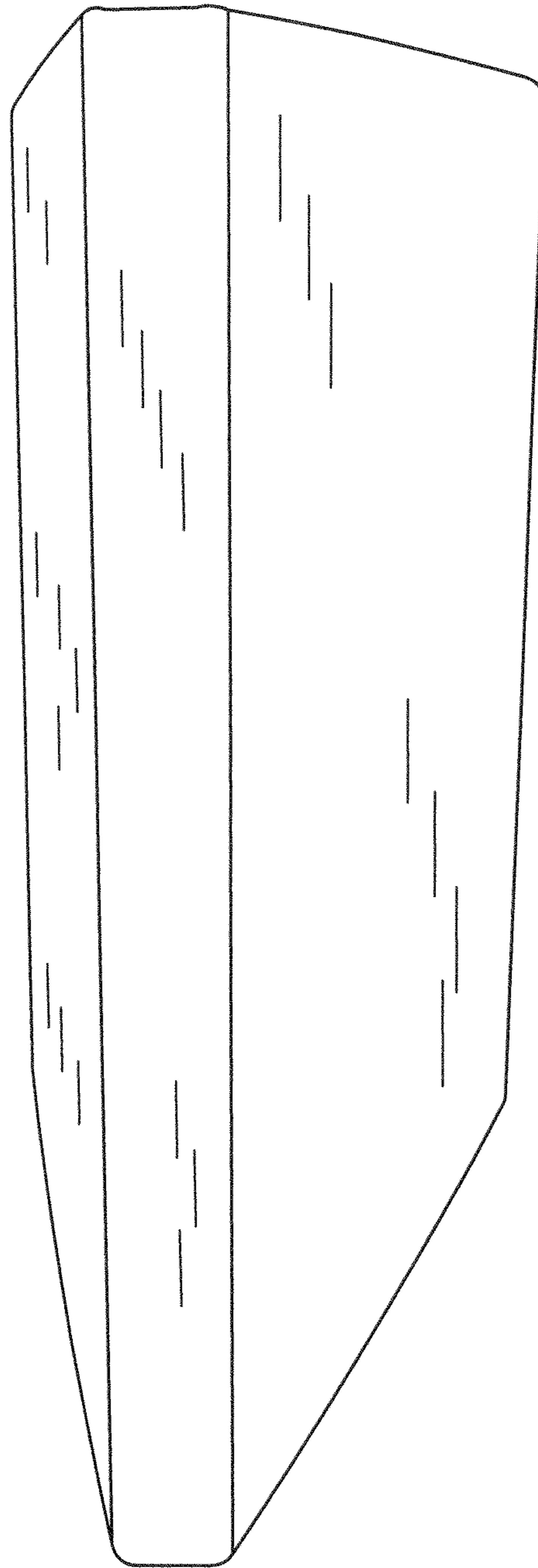


FIG. 4

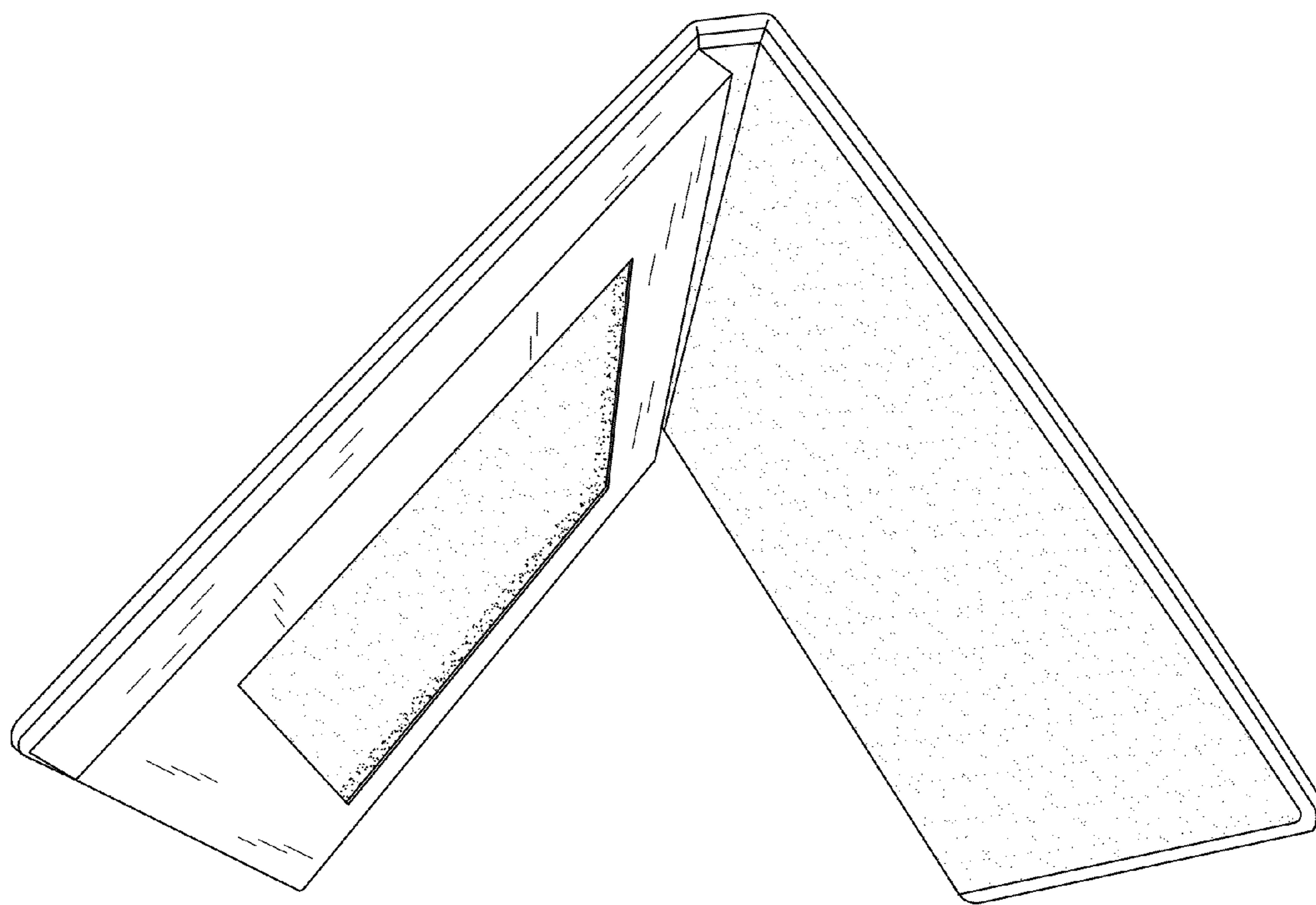


FIG. 5