



US00D682277S

(12) **United States Design Patent**
Tasselli et al.

(10) **Patent No.:** **US D682,277 S**
(45) **Date of Patent:** **** May 14, 2013**

- (54) **CODED INFORMATION READER**
- (75) Inventors: **Corrado Tasselli**, Turin (IT); **Stefano Vassura**, Rastignano (IT); **Monica Alegiani**, Silvi (IT); **Manlio Galanti**, San Giovanni in Persiceto (IT)
- (73) Assignee: **Datalogic IP Tech S.R.L.**, Lippo di Calderara di Reno (BO) (IT)

- (**) Term: **14 Years**
- (21) Appl. No.: **29/425,821**
- (22) Filed: **Jun. 27, 2012**

- (30) **Foreign Application Priority Data**
Dec. 30, 2011 (EM) 1970237
- (51) **LOC (9) Cl.** **14-02**
- (52) **U.S. Cl.**
USPC **D14/428**; D14/426
- (58) **Field of Classification Search** D14/420, D14/426-430, 453, 346, 341, 347, 412; D13/107, D13/184; 358/473; 235/462.43, 462.45, 462.47, 235/462.48, 462.44, 462.46, 487, 472.01, 235/472.02; 16/110.1, 430, 431; 439/133, 439/135; 709/219, 201; 710/73; 320/114, 320/115, 123; 361/679; 382/313, 321; 455/575.1, 455/561, 572
See application file for complete search history.

- (56) **References Cited**
U.S. PATENT DOCUMENTS
D344,501 S 2/1994 Gong et al.
D362,435 S 9/1995 Charych et al.
5,475,206 A 12/1995 Reddersen et al.
D376,989 S 12/1996 McCain
D388,076 S 12/1997 Swift et al.
5,736,726 A 4/1998 VanHorn et al.
5,744,791 A 4/1998 Isaac et al.

- D396,714 S 8/1998 Nuovo et al.
- 5,801,371 A 9/1998 Kahn et al.
- D400,199 S 10/1998 Fitch et al.
- 5,850,078 A 12/1998 Giordano et al.
- D405,077 S 2/1999 Urushihata et al.
- D406,585 S 3/1999 Vuolteenaho et al.
- D414,171 S 9/1999 Swift et al.
- D414,172 S 9/1999 Hetfield et al.
- D414,470 S 9/1999 Chacon et al.

(Continued)

FOREIGN PATENT DOCUMENTS

- DE 20016762 U1 1/2001
- EP 1128314 A1 8/2001

Primary Examiner — Susan Moon Lee

(74) *Attorney, Agent, or Firm* — Duane Morris LLP

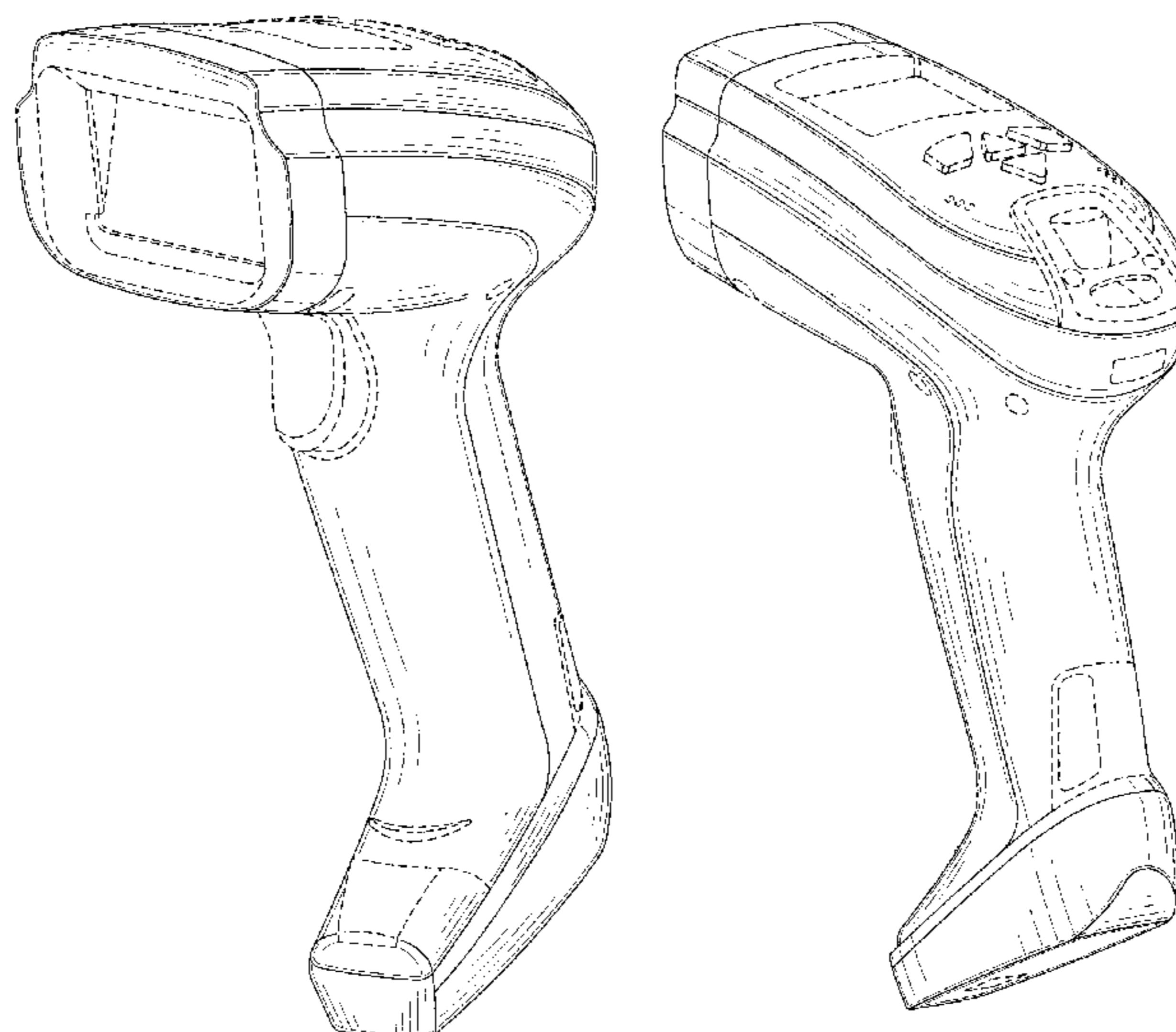
(57) **CLAIM**

We claim the ornamental design for a coded information reader, as shown and described:

DESCRIPTION

FIG. 1 is a perspective front view of a coded information reader according to the present invention.
 FIG. 2 is a perspective rear view of the coded information reader of FIG. 1.
 FIG. 3 is a front view of the coded information reader of FIG. 1.
 FIG. 4 is a rear view of the coded information reader of FIG. 1.
 FIG. 5 is a right side view of the coded information reader of FIG. 1.
 FIG. 6 is a left side view of the coded information reader of FIG. 1.
 FIG. 7 is a top view of the coded information reader of FIG. 1; and,
 FIG. 8 is a bottom view of the coded information reader of FIG. 1.
 Broken lines and unshaded portions contained within broken lines are not claimed.

1 Claim, 8 Drawing Sheets



US D682,277 S

U.S. PATENT DOCUMENTS					
D414,760 S	10/1999	Hetfield et al.	7,222,789 B2	5/2007	Longacre et al.
5,965,863 A	10/1999	Parker et al.	D552,606 S	10/2007	Swanson et al.
D418,500 S	1/2000	Giordano et al.	D556,750 S	12/2007	Fitch et al.
D420,680 S	2/2000	Curtis	D556,761 S	12/2007	MacGregor et al.
D421,004 S	2/2000	Curtis	D558,206 S *	12/2007	Watanabe D14/428
D425,057 S	5/2000	Finkbeiner	D562,825 S	2/2008	Fitch et al.
D427,090 S	6/2000	Washburn et al.	D566,713 S	4/2008	Ah
D428,883 S	8/2000	Mizusugi et al.	D570,843 S	6/2008	Mazzone et al.
D431,562 S	10/2000	Bhatia et al.	D574,830 S	8/2008	Tasselli et al.
D433,017 S	10/2000	Martinez	D574,832 S	8/2008	MacGregor et al.
D435,557 S	12/2000	Eisenberg et al.	D588,596 S	3/2009	Mazzone et al.
6,158,662 A	12/2000	Kahn et al.	D599,799 S	9/2009	Di Bari
D436,104 S	1/2001	Bhatia et al.	D606,076 S	12/2009	Di Bari
D439,898 S	4/2001	Ober et al.	D606,544 S	12/2009	Di Bari
6,234,394 B1	5/2001	Kahn et al.	D611,943 S	3/2010	Boyd
D446,524 S	8/2001	Bontly et al.	D613,290 S	4/2010	Arnold et al.
6,321,990 B1	11/2001	Giordano et al.	D614,626 S	4/2010	Dai et al.
6,330,973 B1	12/2001	Bridgelall et al.	D614,627 S	4/2010	Lerner et al.
6,352,204 B2	3/2002	Hattersley et al.	D615,085 S	5/2010	Ma et al.
D456,809 S	5/2002	Schlieffers	D618,688 S	6/2010	Ingold et al.
D456,810 S	5/2002	Schlieffers	D619,138 S	7/2010	Ingold et al.
D459,728 S	7/2002	Roberts et al.	D622,726 S	8/2010	Alegiani et al.
6,412,698 B2	7/2002	Bontly	D628,198 S	11/2010	Fitch et al.
6,415,982 B2	7/2002	Bridgelall et al.	D629,001 S	12/2010	Palmer et al.
D461,189 S	8/2002	Bontly	D633,502 S	3/2011	Alegiani
D462,357 S	9/2002	Jenkins	D634,744 S	3/2011	Palmer et al.
D463,425 S	9/2002	Jenkins	D638,422 S	5/2011	Reed et al.
D464,645 S	10/2002	O'Neil	8,186,592 B2 *	5/2012	Fletcher 235/454
6,478,226 B2	11/2002	Canini et al.	8,282,006 B2 *	10/2012	Longacre et al. 235/472.01
D467,918 S	12/2002	Fitch et al.	D677,258 S	3/2013	Mistkawi
D470,145 S	2/2003	Schlieffers et al.	2001/0045466 A1	11/2001	Bontly
D470,497 S	2/2003	Byun et al.	2002/0023961 A1	2/2002	Itou et al.
6,517,003 B2	2/2003	Vassura et al.	2002/0056755 A1	5/2002	Canini et al.
D473,872 S	4/2003	Ausems et al.	2002/0096566 A1	7/2002	Schwartz et al.
6,561,428 B2 *	5/2003	Meier et al. 235/462.25	2002/0125323 A1	9/2002	Marrs et al.
D476,300 S	6/2003	Pottie et al.	2002/0148902 A1	10/2002	Schlieffers
6,595,422 B1	7/2003	Doljack	2002/0171745 A1	11/2002	Ehrhart
6,607,132 B1 *	8/2003	Dvorkis et al. 235/462.43	2003/0080193 A1	5/2003	Ryan et al.
D486,460 S	2/2004	Bey et al.	2003/0089775 A1	5/2003	Yeakley et al.
6,758,403 B1	7/2004	Keys et al.	2004/0094627 A1	5/2004	Parker et al.
6,824,060 B2 *	11/2004	Barkan 235/462.25	2004/0134990 A1 *	7/2004	Fitch et al. 235/472.01
6,824,061 B1	11/2004	Hattersley et al.	2005/0017078 A1	1/2005	Bhatia et al.
6,832,729 B1	12/2004	Perry et al.	2005/0023358 A1	2/2005	Byun et al.
D501,207 S	1/2005	Ohta et al.	2005/0068201 A1	3/2005	Wulff et al.
6,883,713 B2	4/2005	Schlieffers	2005/0161511 A1	7/2005	Parker et al.
D505,422 S	5/2005	Kakizaki et al.	2005/0167504 A1	8/2005	Meier et al.
6,959,865 B2	11/2005	Walczyk et al.	2006/0289654 A1 *	12/2006	Robinson et al. 235/462.46
6,983,130 B2	1/2006	Chien et al.	2009/0218405 A1 *	9/2009	Joseph et al. 235/462.42
D518,043 S	3/2006	Barness et al.	2010/0308116 A1 *	12/2010	Sani et al. 235/472.01
D518,057 S	3/2006	Johnson et al.	2011/0024506 A1 *	2/2011	Nunnink 235/472.01
7,055,747 B2	6/2006	Havens et al.	2011/0069877 A1 *	3/2011	Vincenzi 382/135
7,090,132 B2	8/2006	Havens et al.	2011/0073658 A1 *	3/2011	Vassura et al. 235/472.01
D529,943 S	10/2006	Chiu et al.	2011/0132984 A1 *	6/2011	Fletcher 235/454
7,147,162 B2	12/2006	Fitch et al.	2011/0290889 A1 *	12/2011	Tamburrini et al. 235/470
D537,828 S	3/2007	Croley et al.	2012/0256002 A1 *	10/2012	O'Donnell et al. 235/472.01
D538,285 S	3/2007	MacGregor et al.	2012/0319645 A1 *	12/2012	O'Donnell et al. 320/108
D541,283 S	4/2007	MacGregor et al.	2013/0008964 A1 *	1/2013	Hawley et al. 235/472.01
D542,802 S	5/2007	Woodcock			

* cited by examiner

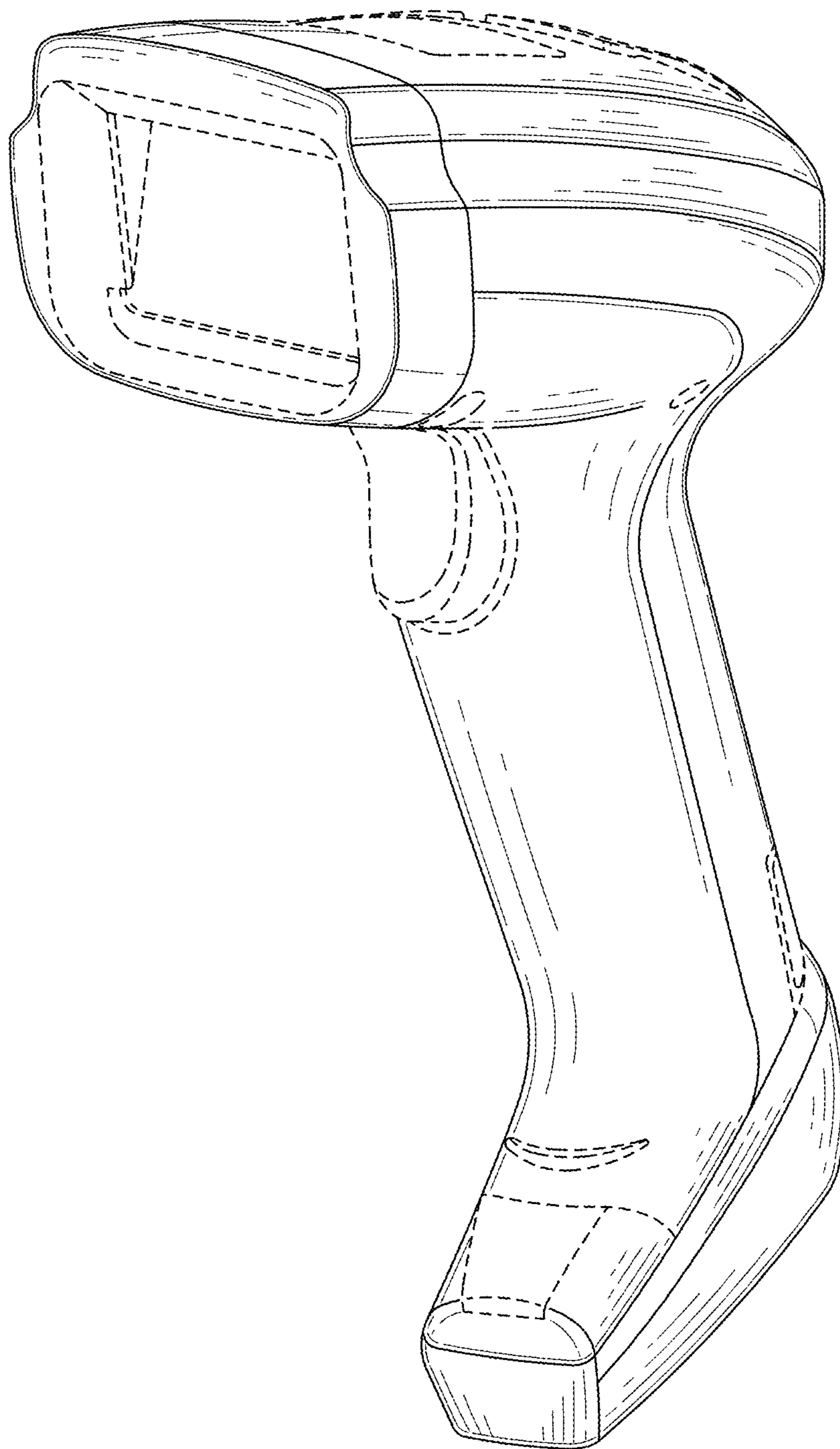


FIG. 1

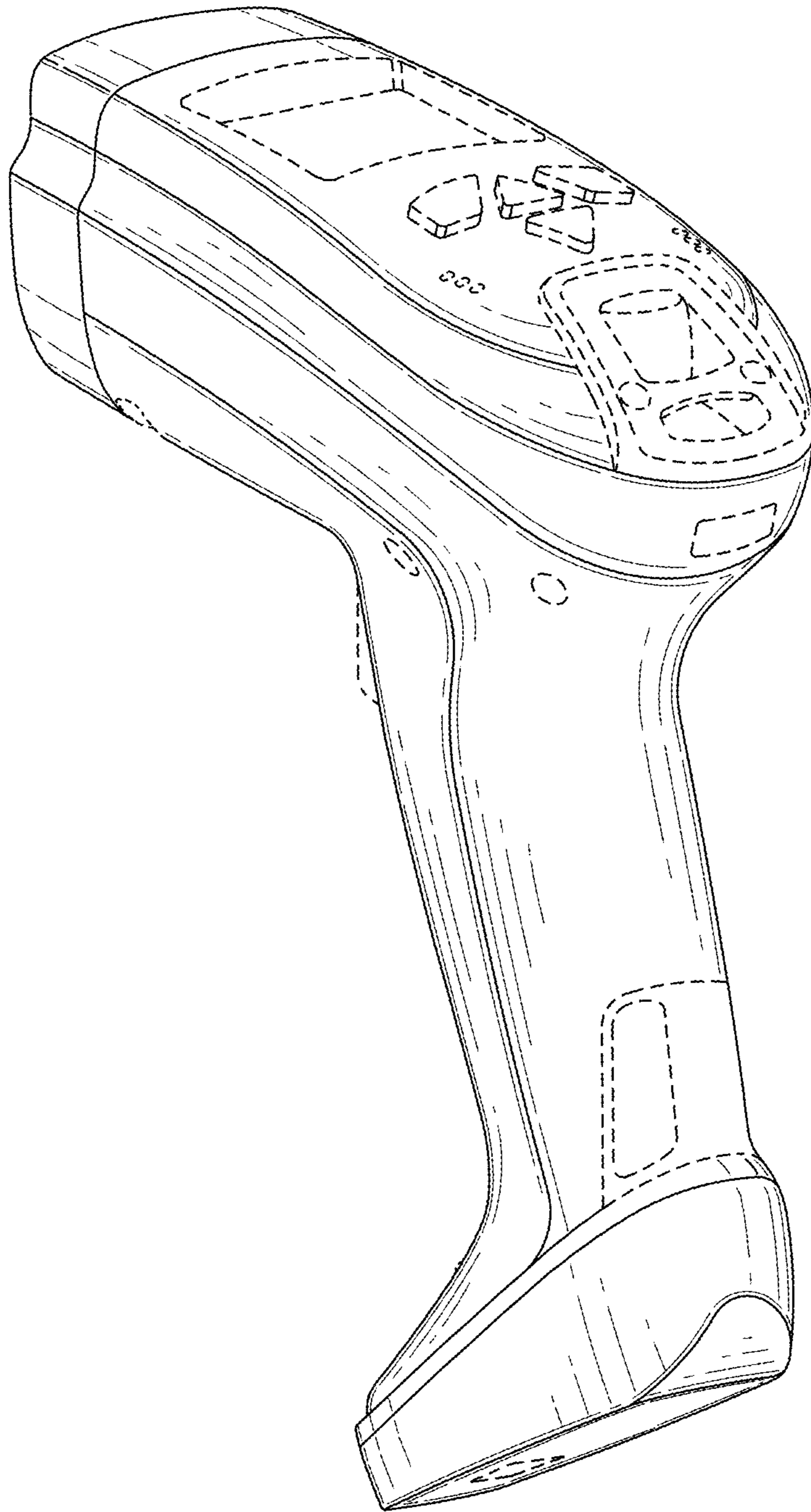


FIG. 2

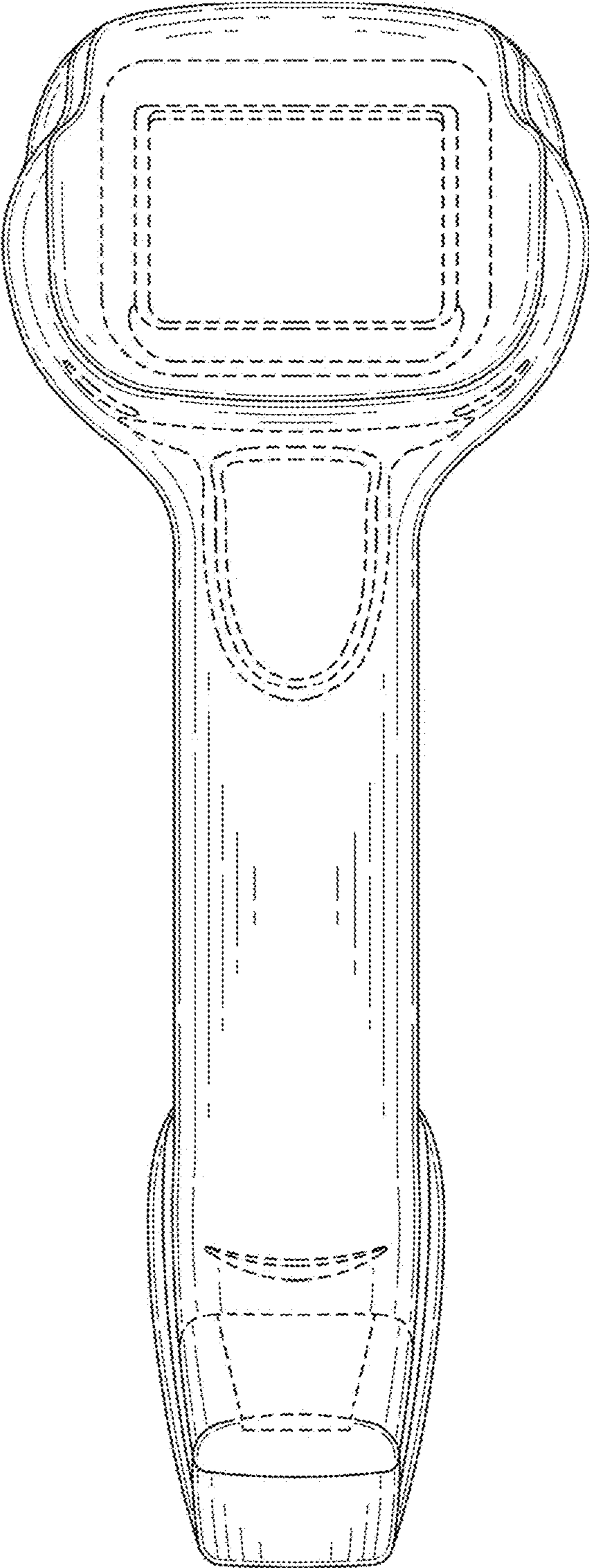


FIG. 3

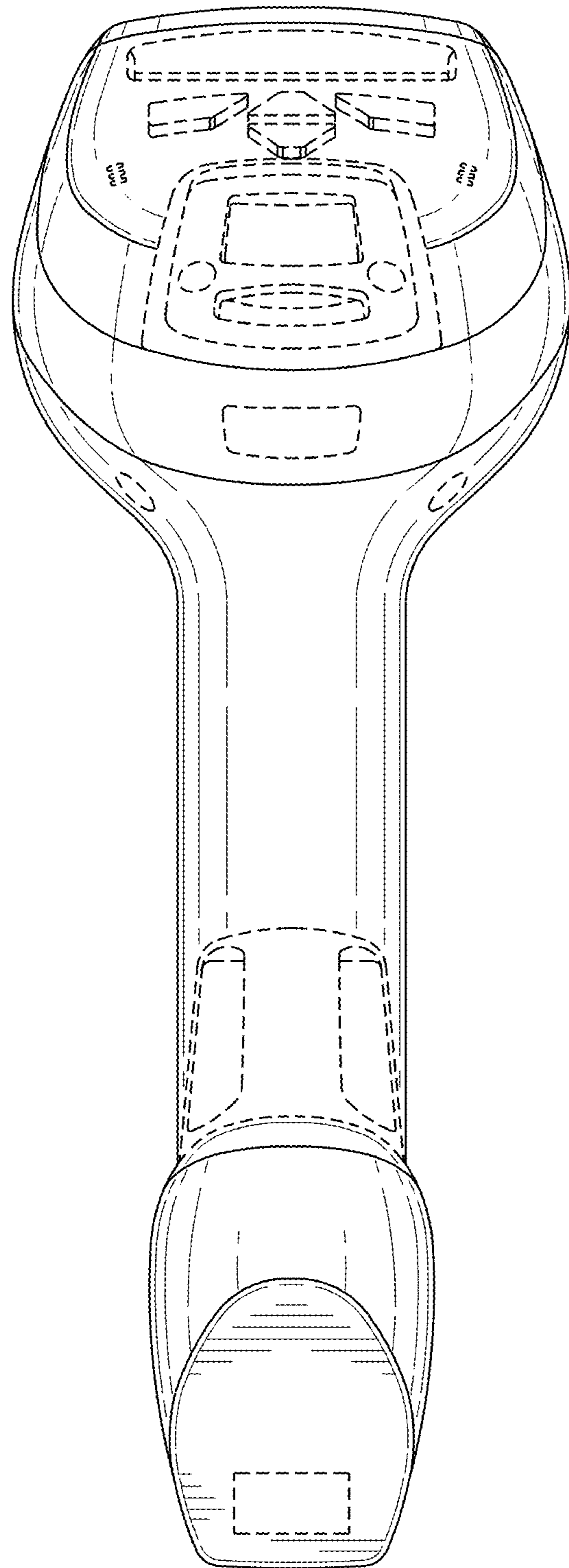


FIG. 4

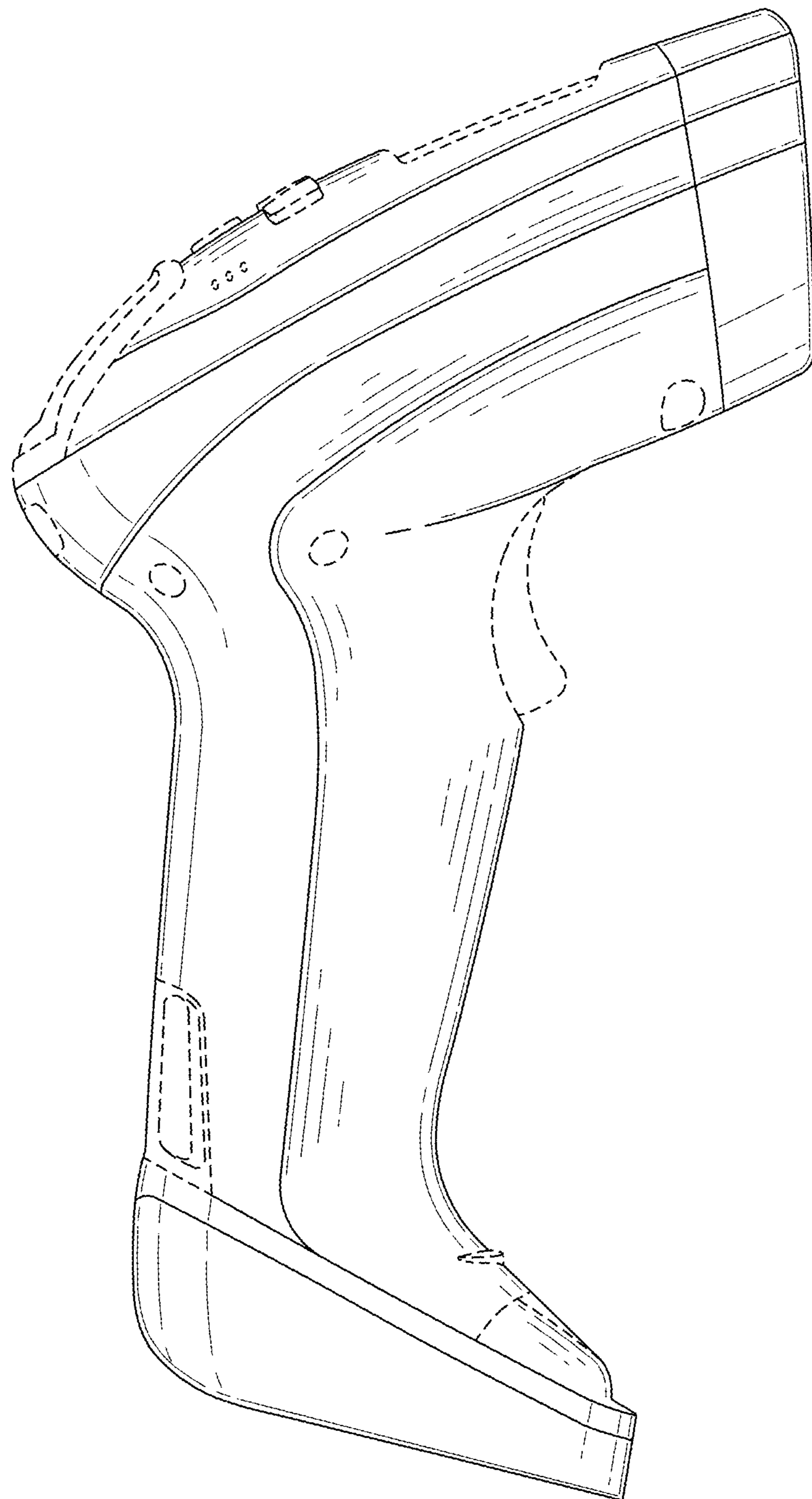


FIG. 5

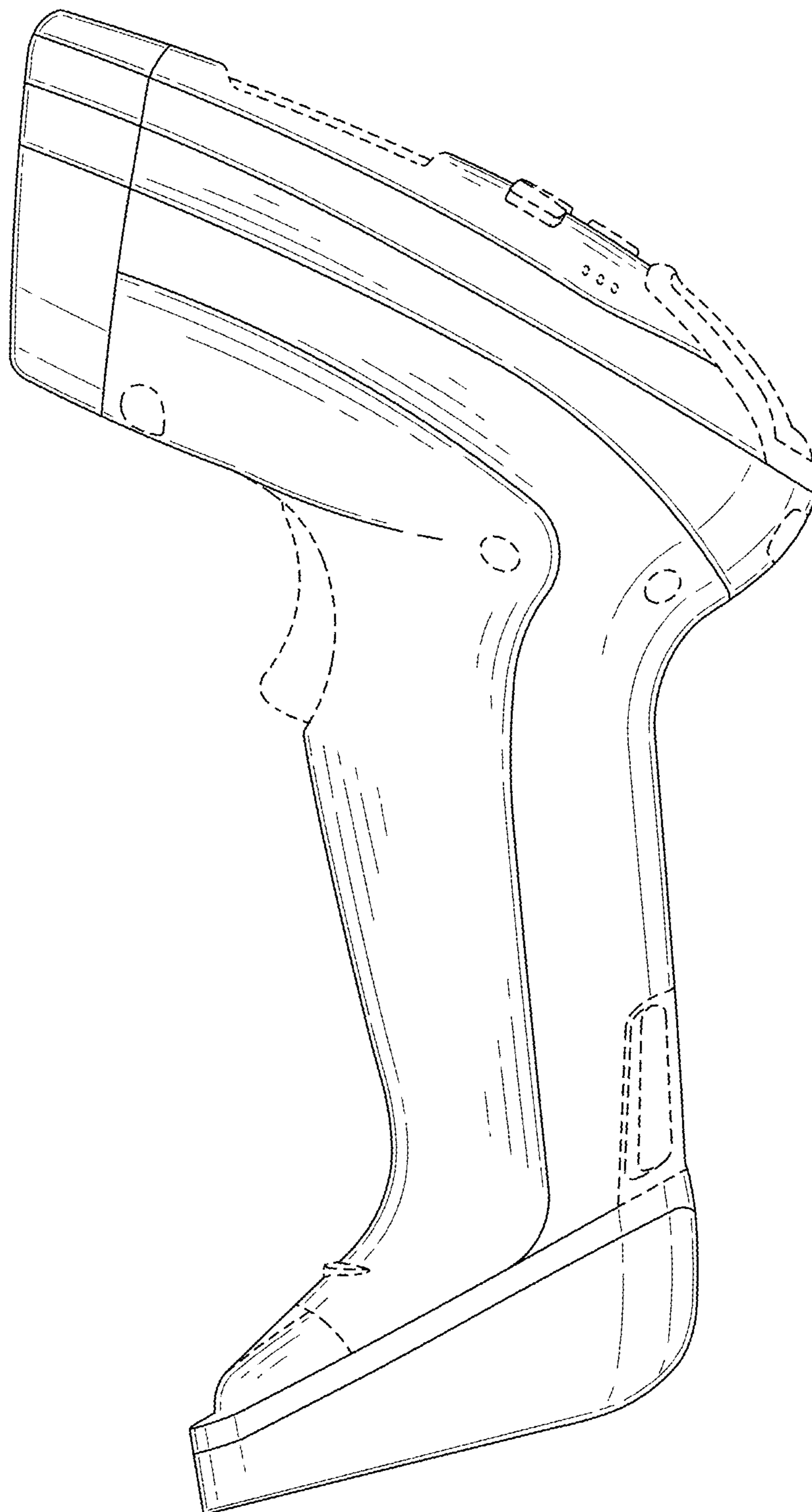


FIG. 6

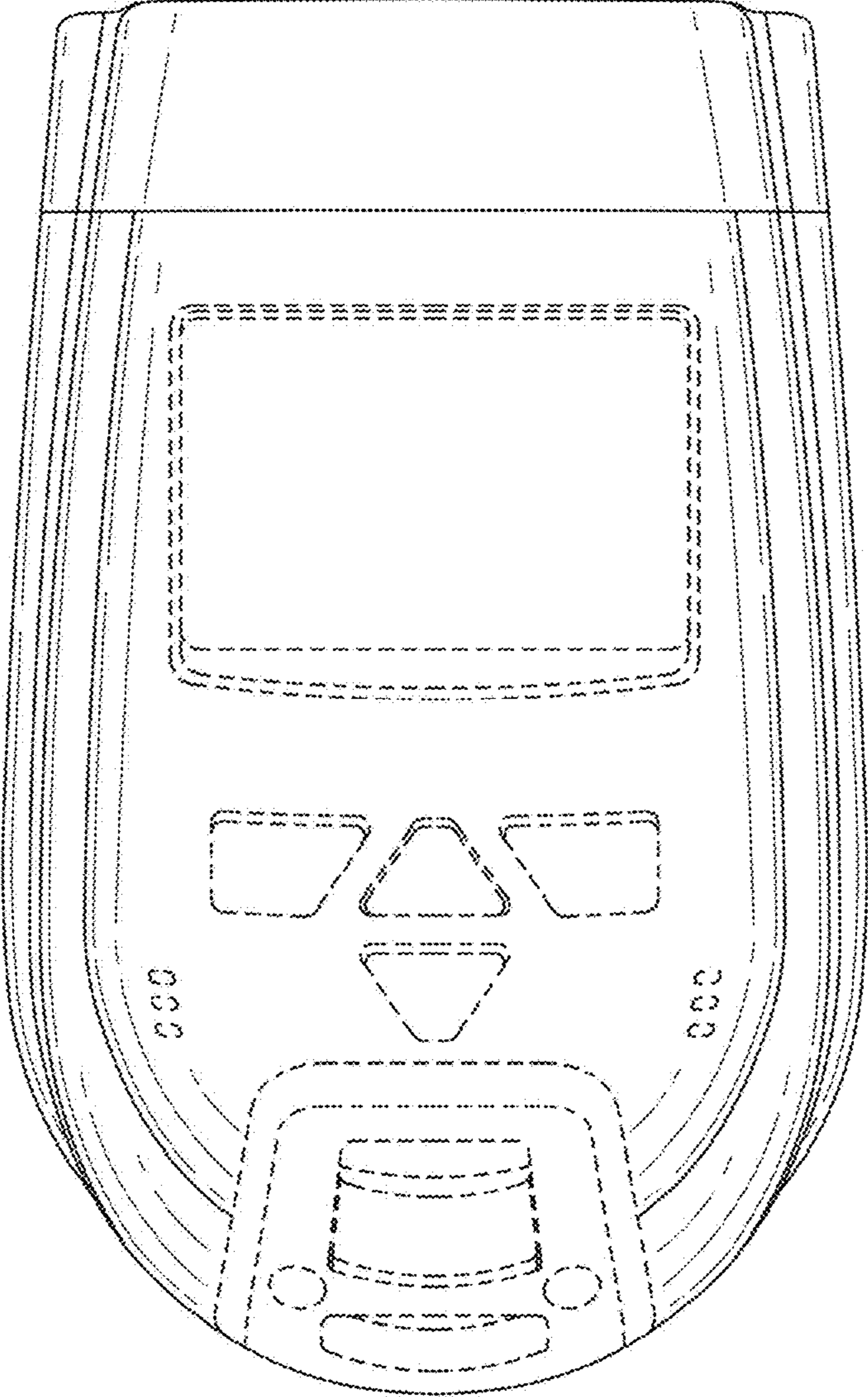


FIG. 7

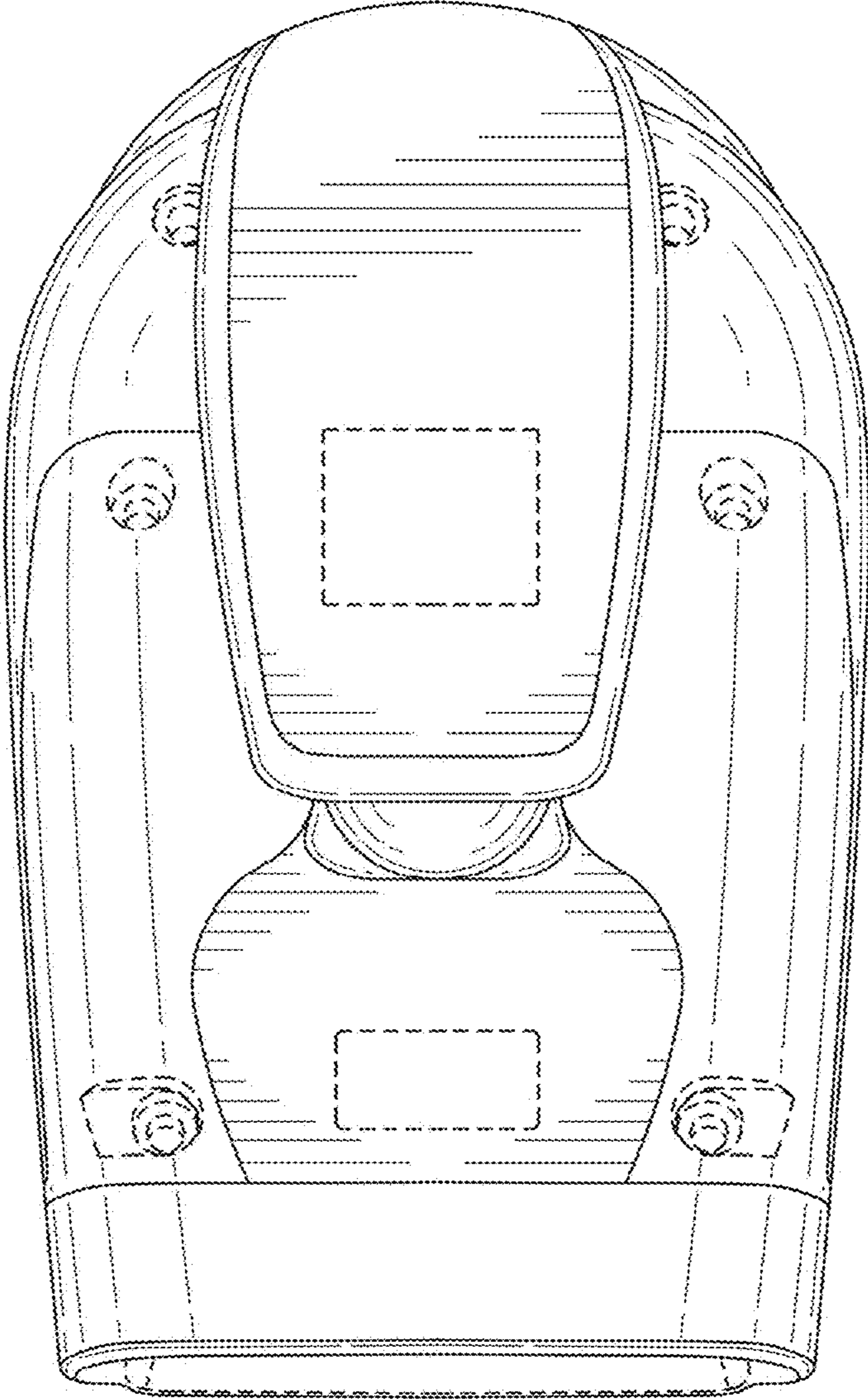


FIG. 8