



US00D682275S

(12) **United States Design Patent**  
**Nakata**

(10) **Patent No.:** **US D682,275 S**

(45) **Date of Patent:** **\*\* May 14, 2013**

(54) **STRETCHABLE STYLUS PEN**

(71) Applicant: **Wacom Co., Ltd.**, Kazo (JP)

(72) Inventor: **Takaaki Nakata**, Kuki (JP)

(73) Assignee: **Wacom Co., Ltd.**, Kazo-shi (JP)

(\*\*) Term: **14 Years**

(21) Appl. No.: **29/439,884**

(22) Filed: **Dec. 17, 2012**

(30) **Foreign Application Priority Data**

Jun. 18, 2012 (JP) ..... 2012-014432

(51) **LOC (9) Cl.** ..... **14-02**

(52) **U.S. Cl.**  
USPC ..... **D14/411**

(58) **Field of Classification Search** ..... D8/61;  
D14/411; D19/35, 36, 41-51, 54-58; 401/55,  
401/99, 100, 104-107, 196, 197, 202, 208,  
401/209, 213, 192, 195, 243; 708/107; 345/179,  
345/173; 178/19.01; 700/94  
See application file for complete search history.

(56) **References Cited**

**U.S. PATENT DOCUMENTS**

D364,424 S \* 11/1995 Shimizu ..... D19/51  
D395,875 S \* 7/1998 Aiken et al. .... D14/411  
D415,197 S \* 10/1999 Izushima ..... D19/48  
D418,163 S \* 12/1999 Rosen ..... D19/51  
D456,411 S \* 4/2002 Kourushi ..... D14/411  
D497,387 S \* 10/2004 Cetera ..... D19/36

(Continued)

**FOREIGN PATENT DOCUMENTS**

JP D1073390 S 6/2000  
JP D1073432 S 6/2000

*Primary Examiner* — Austin Murphy

(74) *Attorney, Agent, or Firm* — Christensen O'Connor Johnson Kindness PLLC

(57) **CLAIM**

The ornamental design for a stretchable stylus pen, as shown and described.

**DESCRIPTION**

FIG. 1 is a right side elevation view of a stretchable stylus pen showing my new design, wherein the stretchable stylus pen is shown in an extended position, and wherein the left side elevation view of the stretchable stylus pen is a mirror image of the right side elevation view;

FIG. 2 is a bottom plan view thereof;

FIG. 3 is a top plan view thereof;

FIG. 4 is a front elevation view thereof;

FIG. 5 is a rear elevation view thereof;

FIG. 6 is a front bottom right isometric view thereof;

FIG. 7 is a front bottom right isometric view thereof, with the stretchable stylus pen shown in a retracted position;

FIG. 8 is a right side elevation view of an alternative embodiment of the stretchable stylus pen shown in FIG. 1, wherein the stretchable stylus pen is shown in an extended position, and wherein the left side elevation view of the stretchable stylus pen is a mirror image of the right side elevation view;

FIG. 9 is a bottom plan view thereof;

FIG. 10 is a top plan view thereof;

FIG. 11 is a front elevation view thereof;

FIG. 12 is a rear elevation view thereof;

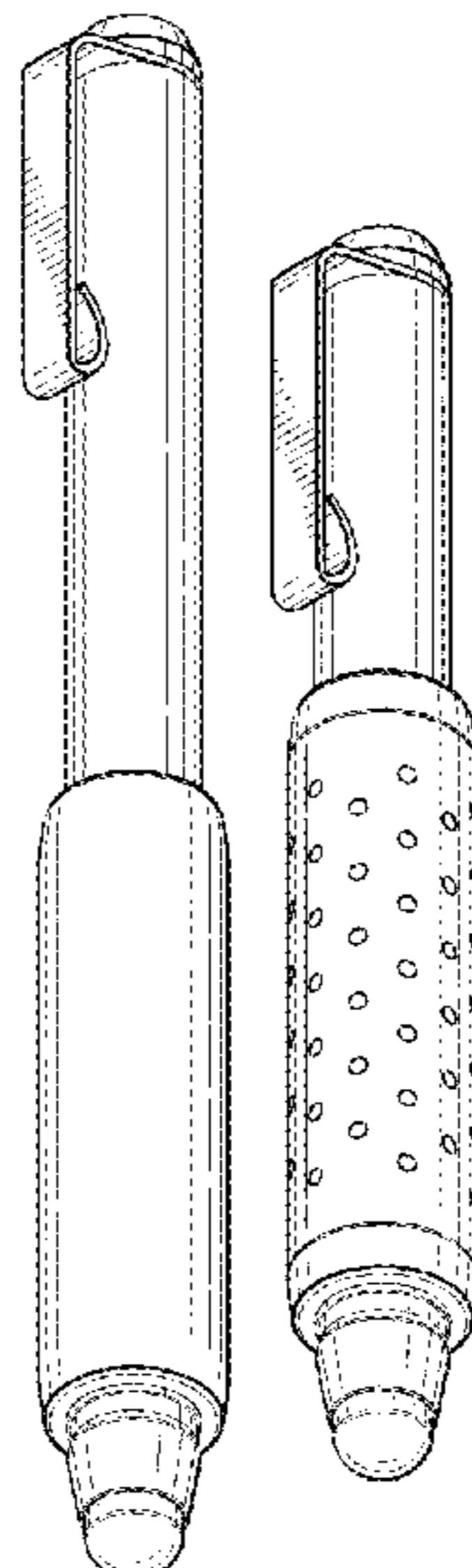
FIG. 13 is a front bottom right isometric view thereof;

FIG. 14 is a front bottom right isometric view thereof, with the stretchable stylus pen shown in a retracted position;

FIG. 15 is a front bottom right isometric view of the stretchable stylus pen of FIG. 8, shown in an extended position with a cap attached thereto; and,

FIG. 16 is a front bottom right isometric view of the stretchable stylus pen of FIG. 8, shown in a retracted position with a cap attached thereto.

**1 Claim, 5 Drawing Sheets**



# US D682,275 S

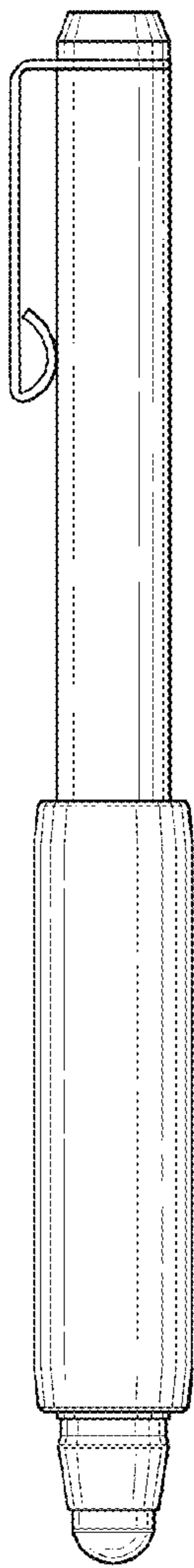
Page 2

---

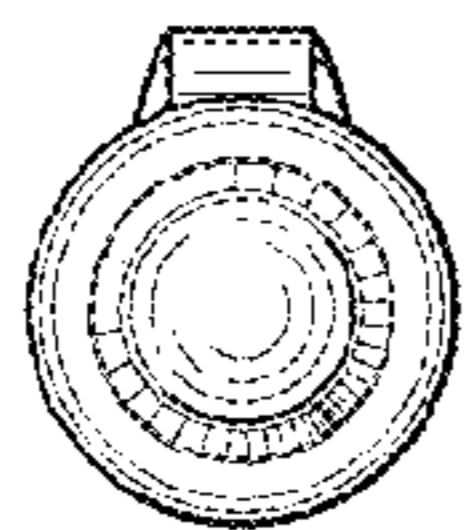
## U.S. PATENT DOCUMENTS

D538,854 S *	3/2007	Nakazawa .....	D19/51	D644,227 S *	8/2011	Son .....	D14/411
D595,352 S *	6/2009	Ikeda .....	D19/48	D655,292 S *	3/2012	Nakata .....	D14/411
D628,640 S *	12/2010	Wang .....	D19/50	D669,896 S *	10/2012	Nakata .....	D14/411
D642,619 S *	8/2011	Kermoal .....	D19/48				

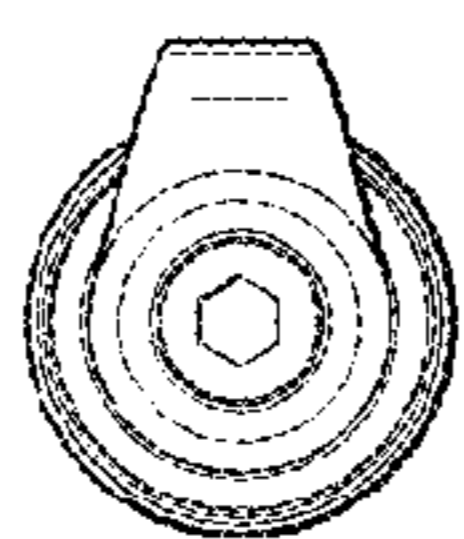
\* cited by examiner



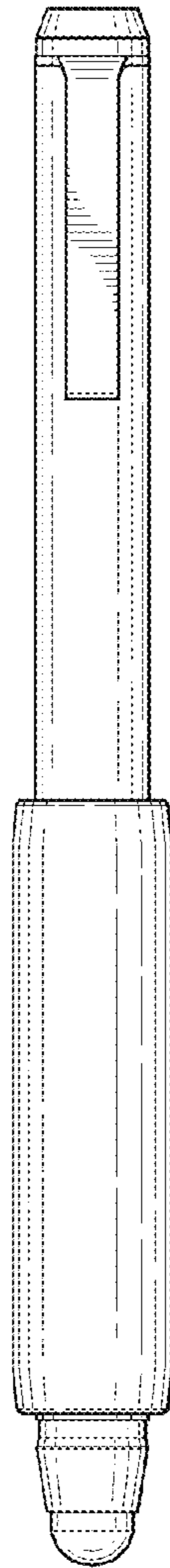
*Fig. 1.*



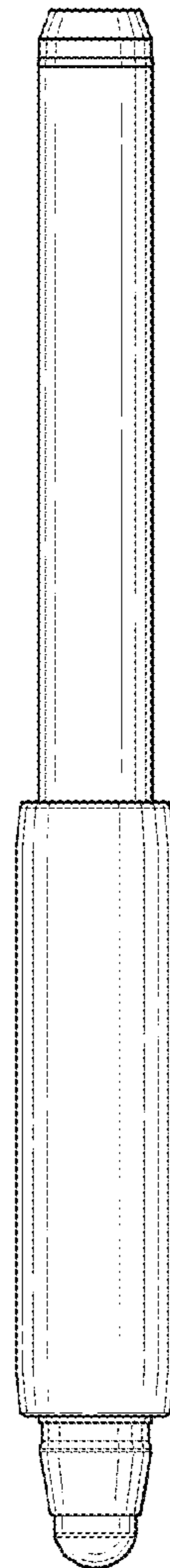
*Fig. 2.*



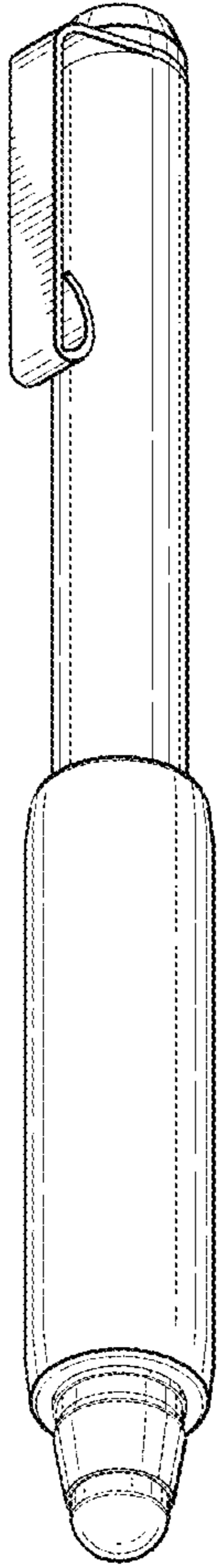
*Fig. 3.*



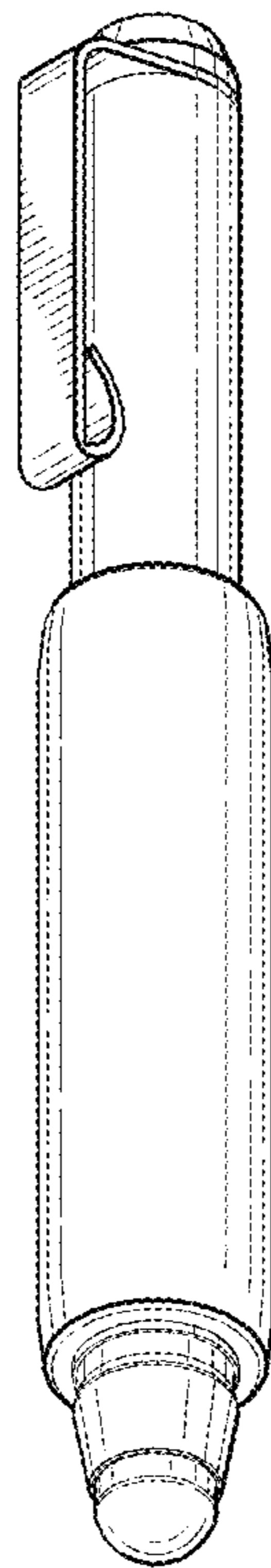
*Fig. 4.*



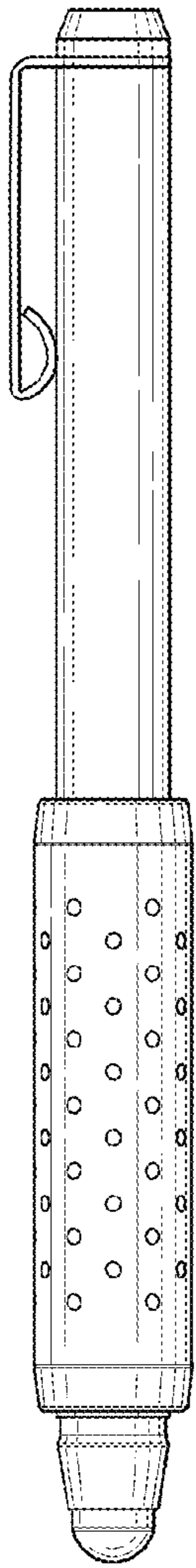
*Fig. 5.*



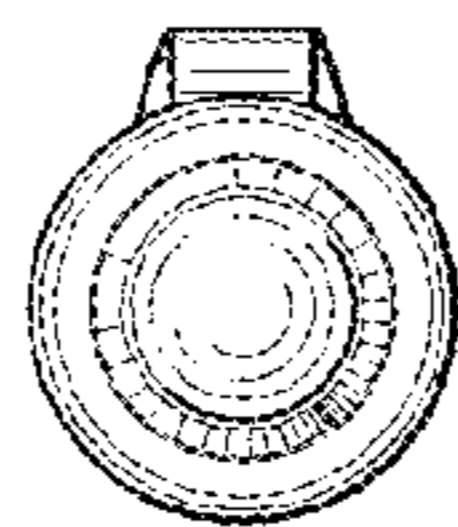
*Fig. 6.*



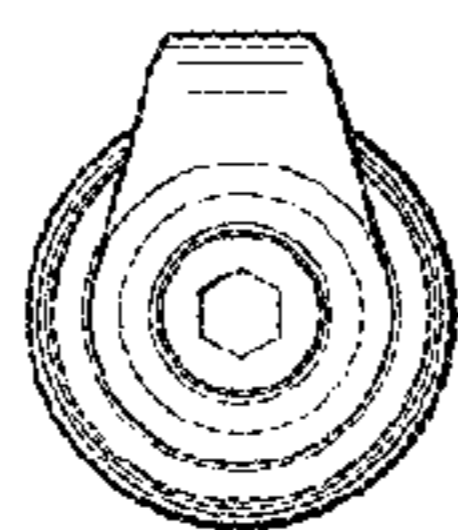
*Fig. 7.*



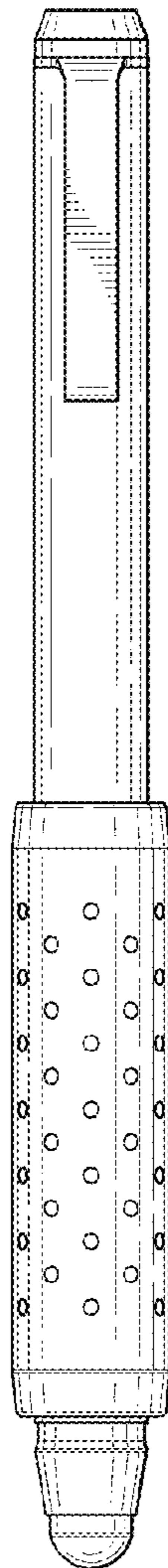
*Fig. 8.*



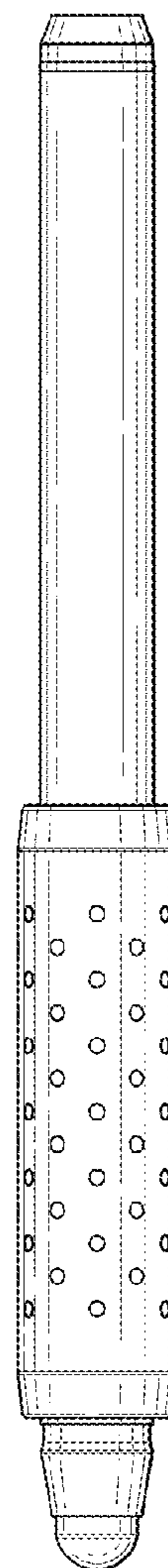
*Fig. 9.*



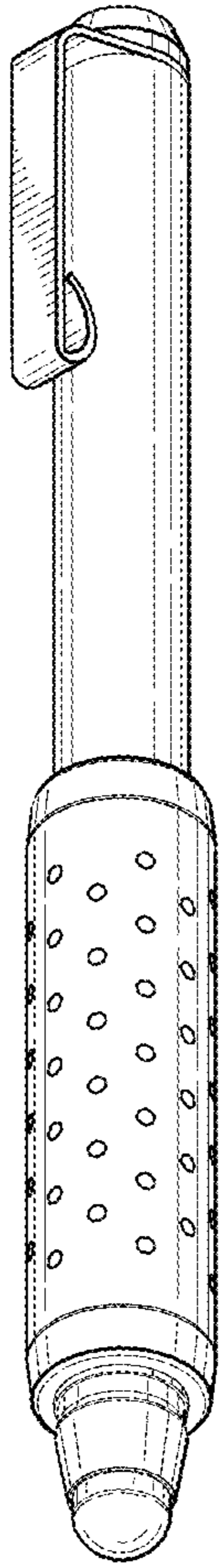
*Fig. 10.*



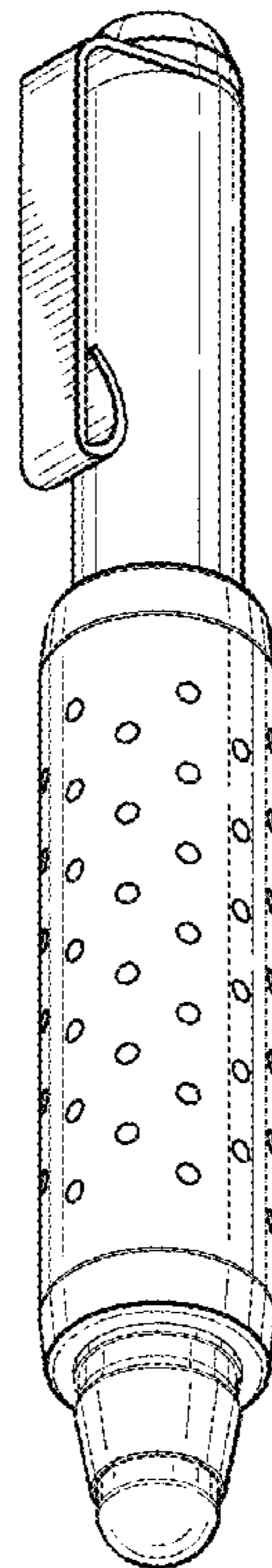
*Fig. 11.*



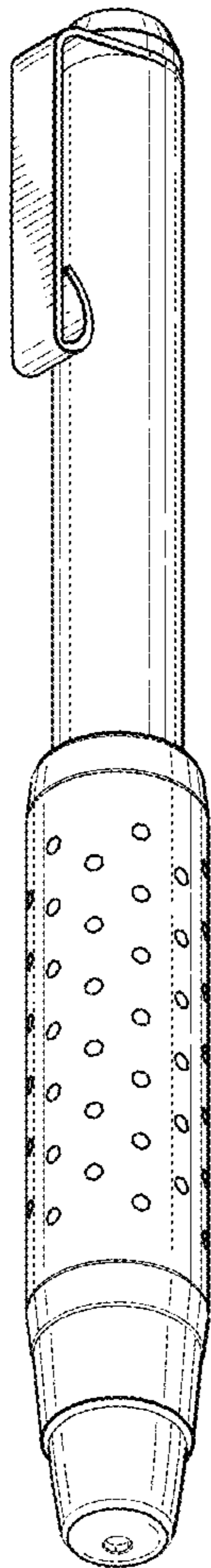
*Fig. 12.*



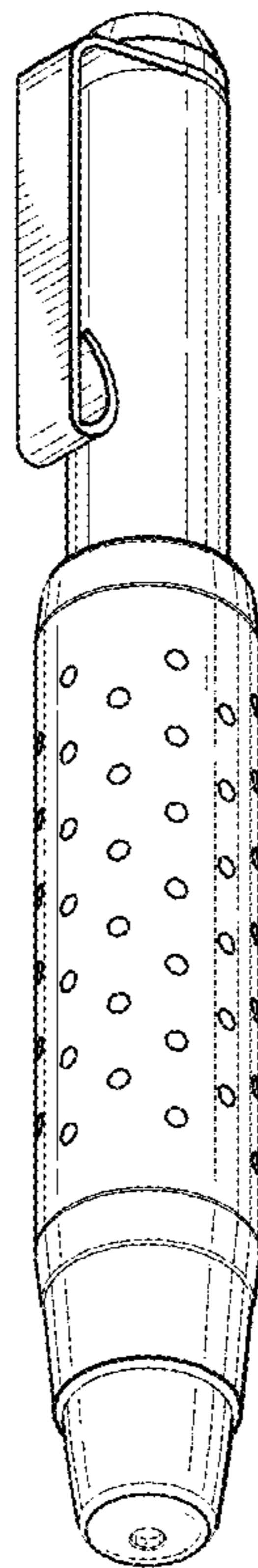
*Fig. 13.*



*Fig. 14.*



*Fig. 15.*



*Fig. 16.*