



US00D682272S

(12) **United States Design Patent**
Kim et al.

(10) **Patent No.:** **US D682,272 S**
(45) **Date of Patent:** **** May 14, 2013**

(54) **MONITOR**

(76) Inventors: **Hee-Bong Kim**, Gimpo (KR);
Gyoo-Sang Choi, Suwon (KR);
Eui-Seok Kim, Seongnam (KR)

(**) Term: **14 Years**

(21) Appl. No.: **29/426,896**

(22) Filed: **Jul. 11, 2012**

(30) **Foreign Application Priority Data**

Jan. 16, 2012 (KR) 30-2012-0002080

(51) **LOC (9) Cl.** **14-02**

(52) **U.S. Cl.**
USPC **D14/374**

(58) **Field of Classification Search** D14/371-375,
D14/125-129, 336, 337; 341/12; 345/104,
345/156, 168, 173; 348/180, 184, 325, 739;
349/1, 2, 11, 62; 361/679.05-679.07, 679.21;
D6/300, 308

See application file for complete search history.

(56) **References Cited**

U.S. PATENT DOCUMENTS

D439,224 S	3/2001	Kita
D471,893 S	3/2003	Jung
D472,897 S	4/2003	Park
D494,941 S	8/2004	Kim
D499,386 S	12/2004	Yang
D512,424 S	12/2005	Kim
D520,975 S	5/2006	Kim et al.
D521,511 S	5/2006	Kim et al.
D521,996 S	5/2006	Kim et al.
D521,997 S	5/2006	Park et al.
D524,313 S	7/2006	Boo et al.
D527,003 S	8/2006	Kim et al.
D528,115 S	9/2006	Yoon
D528,116 S	9/2006	Won et al.

D529,019 S	9/2006	Lim
D529,910 S	10/2006	Ota
D529,911 S	10/2006	Yamashiro et al.
D532,764 S	11/2006	Kim et al.
D533,848 S	12/2006	Lee et al.
D534,510 S	1/2007	Kang et al.
D534,883 S	1/2007	Kang et al.
D535,267 S	1/2007	Kang et al.
D536,677 S	2/2007	Kim et al.
D537,072 S	2/2007	Kim et al.

(Continued)

FOREIGN PATENT DOCUMENTS

KR	3001890590000	11/1996
KR	3001890600000	11/1996

(Continued)

OTHER PUBLICATIONS

U.S. Appl. No. 29/419,038, Applicant: Lee, et al., filed Apr. 24, 2012, entitled Monitor.

(Continued)

Primary Examiner — Freda S Nunn
(74) *Attorney, Agent, or Firm* — Wood, Herron & Evans, LLP

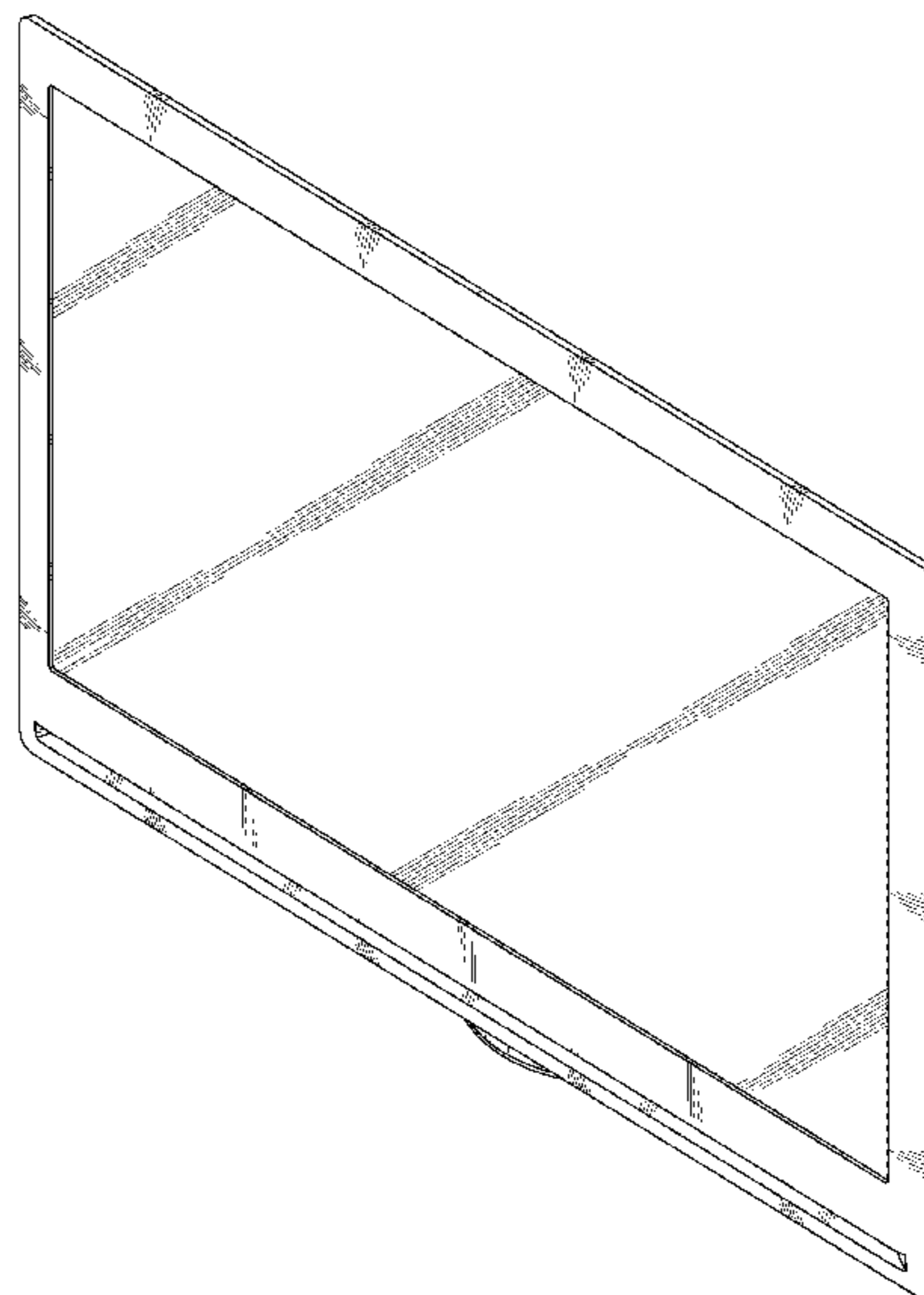
(57) **CLAIM**

The ornamental design for a monitor, as shown and described.

DESCRIPTION

FIG. 1 is a top front perspective view of a monitor showing our new design;
FIG. 2 is a front elevational view thereof;
FIG. 3 is a rear elevational view thereof;
FIG. 4 is a left side elevational view thereof
FIG. 5 is a right side elevational view thereof;
FIG. 6 is a top plan view thereof; and,
FIG. 7 is a bottom plan view thereof.

1 Claim, 5 Drawing Sheets



US D682,272 S

U.S. PATENT DOCUMENTS					
D537,079 S	2/2007	Park	D573,559 S	7/2008	Kim et al.
D539,242 S	3/2007	Lee et al.	D573,584 S	7/2008	Kim
D539,281 S	3/2007	Kim et al.	D575,247 S	8/2008	Lee
D539,767 S	4/2007	Kang et al.	D576,622 S	9/2008	Park
D540,277 S	4/2007	Kim et al.	D579,003 S	10/2008	Kim et al.
D540,780 S	4/2007	Kim	D579,889 S	11/2008	Noh
D541,236 S	4/2007	Kim et al.	D579,915 S	11/2008	Yeo
D541,763 S	5/2007	Kim	D582,365 S	12/2008	Yang et al.
D541,766 S	5/2007	Kita	D582,366 S	12/2008	Yang et al.
D541,774 S	5/2007	Kita	D582,867 S	12/2008	Song et al.
D541,775 S	5/2007	Kita	D583,801 S	12/2008	Son et al.
D542,746 S	5/2007	Kim	D584,258 S	1/2009	Yang et al.
D542,747 S	5/2007	Kim et al.	D584,286 S	1/2009	Kim
D542,748 S	5/2007	Kim et al.	D584,288 S	1/2009	Kim
D542,749 S	5/2007	Kim et al.	D584,309 S	1/2009	Kim et al.
D543,163 S	5/2007	Yang et al.	D584,310 S	1/2009	Kim et al.
D543,164 S	5/2007	Yang et al.	D584,729 S	1/2009	Kim et al.
D544,849 S	6/2007	Yang et al.	D586,781 S	2/2009	Kim
D545,300 S	6/2007	Hong et al.	D586,782 S	2/2009	Kim
D545,312 S	6/2007	Kim	D586,785 S	2/2009	Kim
D545,313 S	6/2007	Kim	D586,811 S	2/2009	Kim et al.
D545,314 S	6/2007	Kim	D587,237 S	2/2009	Son et al.
D545,315 S	6/2007	Kim	D587,712 S	3/2009	Park et al.
D545,316 S	6/2007	Kim	D588,103 S	3/2009	Lee et al.
D545,776 S	7/2007	Kwon	D588,104 S	3/2009	Lee et al.
D545,778 S	7/2007	Isshiki	D588,117 S	3/2009	Arai
D545,820 S	7/2007	Won et al.	D588,576 S	3/2009	Son et al.
D546,331 S	7/2007	Kim	D591,269 S	4/2009	Kim et al.
D547,276 S	7/2007	Yang et al.	D592,179 S	5/2009	Ichinose et al.
D547,313 S	7/2007	Kim	D592,621 S	5/2009	Han
D548,205 S	8/2007	Kim et al.	D593,068 S	5/2009	Kim et al.
D548,206 S	8/2007	Han	D593,069 S	5/2009	Son et al.
D548,222 S	8/2007	Kim	D593,974 S	6/2009	Yang et al.
D548,708 S	8/2007	Park et al.	D597,041 S	7/2009	Cho et al.
D551,186 S	9/2007	Yang et al.	D597,977 S	8/2009	Won et al.
D551,194 S	9/2007	Kim et al.	D597,978 S	8/2009	Won et al.
D551,636 S	9/2007	Kang et al.	D598,899 S	8/2009	Tkachuk
D551,655 S	9/2007	Kim	D601,104 S	9/2009	Kim
D551,665 S	9/2007	Tom et al.	D603,816 S	11/2009	Kim et al.
D552,090 S	10/2007	Kita	D603,817 S	11/2009	Kim et al.
D552,509 S	10/2007	Walkup et al.	D605,148 S	12/2009	Boo et al.
D553,108 S	10/2007	Won et al.	D605,149 S	12/2009	Kim et al.
D554,601 S	11/2007	Won et al.	D605,160 S	12/2009	Eaton
D556,159 S	11/2007	Park et al.	D607,426 S	1/2010	Yang
D556,160 S	11/2007	Lee et al.	D608,311 S	1/2010	Lee et al.
D556,709 S	12/2007	Kim et al.	D608,314 S	1/2010	Boo et al.
D556,755 S	12/2007	Lee et al.	D609,658 S	2/2010	Kim et al.
D556,756 S	12/2007	Kataoka et al.	D610,143 S	2/2010	Park et al.
D556,757 S	12/2007	Kim et al.	D611,918 S	* 3/2010	Shih et al. D14/126
D558,201 S	12/2007	Park et al.	D614,596 S	4/2010	Won et al.
D558,696 S	1/2008	Park et al.	D615,509 S	5/2010	Song et al.
D560,209 S	1/2008	Kim et al.	D615,510 S	5/2010	Won et al.
D560,211 S	1/2008	Kim et al.	D615,511 S	5/2010	Shin et al.
D560,686 S	1/2008	Kim	D615,938 S	5/2010	Song et al.
D561,130 S	2/2008	Won et al.	D615,963 S	5/2010	Cho et al.
D561,134 S	2/2008	Kim et al.	D616,842 S	6/2010	Kim
D561,135 S	2/2008	Won et al.	D616,884 S	6/2010	Kim et al.
D561,136 S	2/2008	Won et al.	D618,189 S	* 6/2010	Honda D14/126
D561,141 S	2/2008	Cho et al.	D619,979 S	7/2010	Lee et al.
D561,142 S	2/2008	Oh	D620,461 S	7/2010	Han et al.
D561,161 S	2/2008	Cho	D620,901 S	8/2010	Won et al.
D562,788 S	2/2008	Asanuma et al.	D620,902 S	8/2010	Kim et al.
7,336,478 B2	2/2008	Jang	D620,903 S	8/2010	Song et al.
D564,472 S	3/2008	Won et al.	D622,235 S	8/2010	Lee et al.
D564,990 S	* 3/2008	Ueno D14/126	D624,047 S	9/2010	Kim
D565,521 S	4/2008	Yang et al.	D624,048 S	9/2010	Kim
D567,198 S	4/2008	Yang et al.	D625,278 S	10/2010	Kim et al.
D567,199 S	4/2008	Kim et al.	D626,101 S	10/2010	Kim et al.
D567,203 S	4/2008	Park	D628,556 S	12/2010	Lee et al.
D569,818 S	5/2008	Kim et al.	D629,388 S	12/2010	Son et al.
D570,333 S	6/2008	Cho	D630,209 S	1/2011	Lee et al.
D570,828 S	6/2008	Cho	D631,868 S	2/2011	Chung
D570,841 S	6/2008	Kim et al.	D632,291 S	2/2011	Park
D571,785 S	6/2008	Kim	D634,302 S	3/2011	Chung et al.
D571,786 S	6/2008	Cho	D634,323 S	3/2011	Park et al.
D572,680 S	7/2008	Lee et al.	D634,745 S	3/2011	Park et al.
D572,682 S	7/2008	Won et al.	D635,569 S	4/2011	Park
D573,118 S	7/2008	Yang et al.	D635,975 S	4/2011	Seo et al.
			D635,976 S	4/2011	Lee et al.

US D682,272 S

Page 3

D657,789 S 4/2012 Lee et al.
D657,790 S 4/2012 Lee et al.
D657,791 S 4/2012 Kim et al.
D657,792 S 4/2012 Lee et al.
D658,176 S 4/2012 Lee et al.
D661,303 S 6/2012 Fukusawa
D664,541 S 7/2012 Kim et al.
D664,542 S 7/2012 Lee et al.
D664,956 S 8/2012 Lee et al.
D667,826 S 9/2012 Lee et al.

FOREIGN PATENT DOCUMENTS

KR 3001954000000 3/1997
KR 3003049270000 8/2002
KR 3003832320000 6/2005
KR 3003879930000 8/2005
KR 3004144010000 5/2006
KR 3004230930000 8/2006
KR 3005011860000 8/2006
KR 3004261490000 9/2006
KR 3004261500000 9/2006
KR 3004230920001 10/2006
KR 3004293530000 11/2006
KR 3004293530001 11/2006
KR 3004339210000 12/2006
KR 3004388560001 2/2007
KR 3004388560002 3/2007
KR 3004745330000 1/2008
KR 3004772070000 1/2008
KR 3004808250000 3/2008
KR 3004809710000 3/2008
KR 3004745330001 4/2008
KR 3004873790000 4/2008
KR 3004873800000 4/2008
KR 3004873810000 4/2008
KR 3005845050000 1/2011
KR 3006046450000 7/2011
KR 3006046460000 7/2011
KR 3006076840000 8/2011

KR 3006077890000 8/2011
KR 3006077900000 8/2011
KR 3006080880000 8/2011
KR 3006084850000 8/2011

OTHER PUBLICATIONS

U.S. Appl. No. 29/423,296, Applicant: Lee, et al., filed May 30, 2012, entitled Monitor.
U.S. Appl. No. 29/425,733, Applicant: Gyoo-Sang Choi, filed Jun. 26, 2012, entitled Monitor.
U.S. Appl. No. 29/425,734, Applicant: Kim, et al., filed Jun. 26, 2012, entitled Monitor.
U.S. Appl. No. 29/427,737, Applicant: Bo-Kyung Seong, filed Jul. 21, 2012, entitled Monitor.
U.S. Appl. No. 29/434,700, Applicant: Kim et al., filed Oct. 16, 2012, entitled Monitor.
U.S. Appl. No. 29/419,916, Applicant: Lee, et al., filed May 2, 2012, entitled Monitor.
U.S. Appl. No. 29/422,777, Applicant: Lee, et al., filed May 23, 2012, entitled Monitor.
U.S. Appl. No. 29/428,391, Applicant: Kim et al., filed Jul. 30, 2012, entitled Monitor.
U.S. Appl. No. 29/428,394, Applicant: Seo et al., filed Jul. 30, 2012, entitled Monitor.
U.S. Appl. No. 29/428,573, Applicant: Seo et al., filed Aug. 1, 2012, entitled Monitor.
U.S. Appl. No. 29/428,580, Applicant: Won et al., filed Aug. 1, 2012, entitled Monitor.
U.S. Appl. No. 29/431,761, Applicant: Seo et al., filed Sep. 11, 2012, entitled Monitor.
U.S. Appl. No. 29/426,696, Applicant: Seong, et al., filed Jul. 9, 2012, entitled Monitor.
U.S. Appl. No. 29/427,157, Applicant: Lee, et al., filed Jul. 15, 2012, entitled Monitor.

* cited by examiner

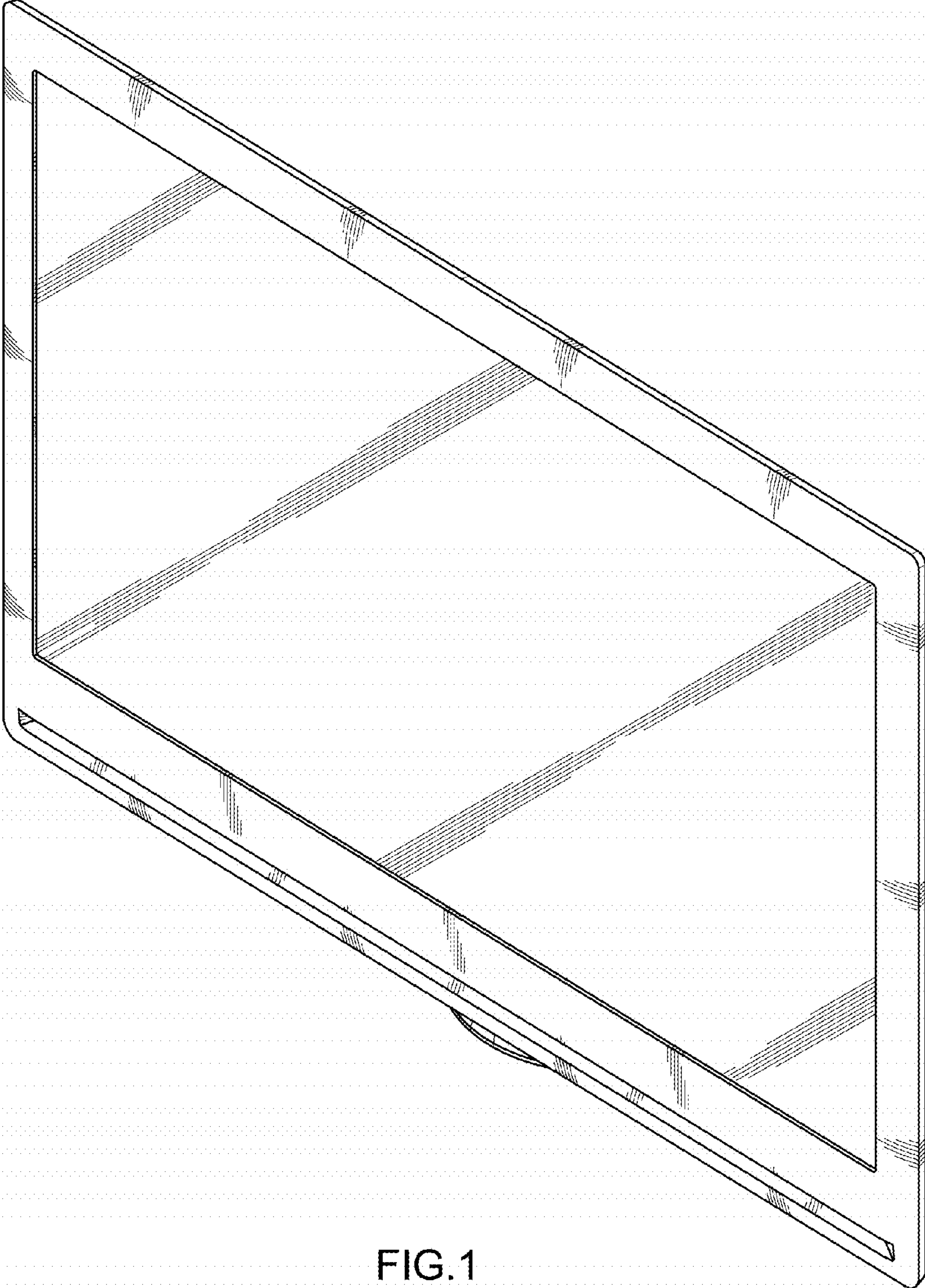


FIG. 1

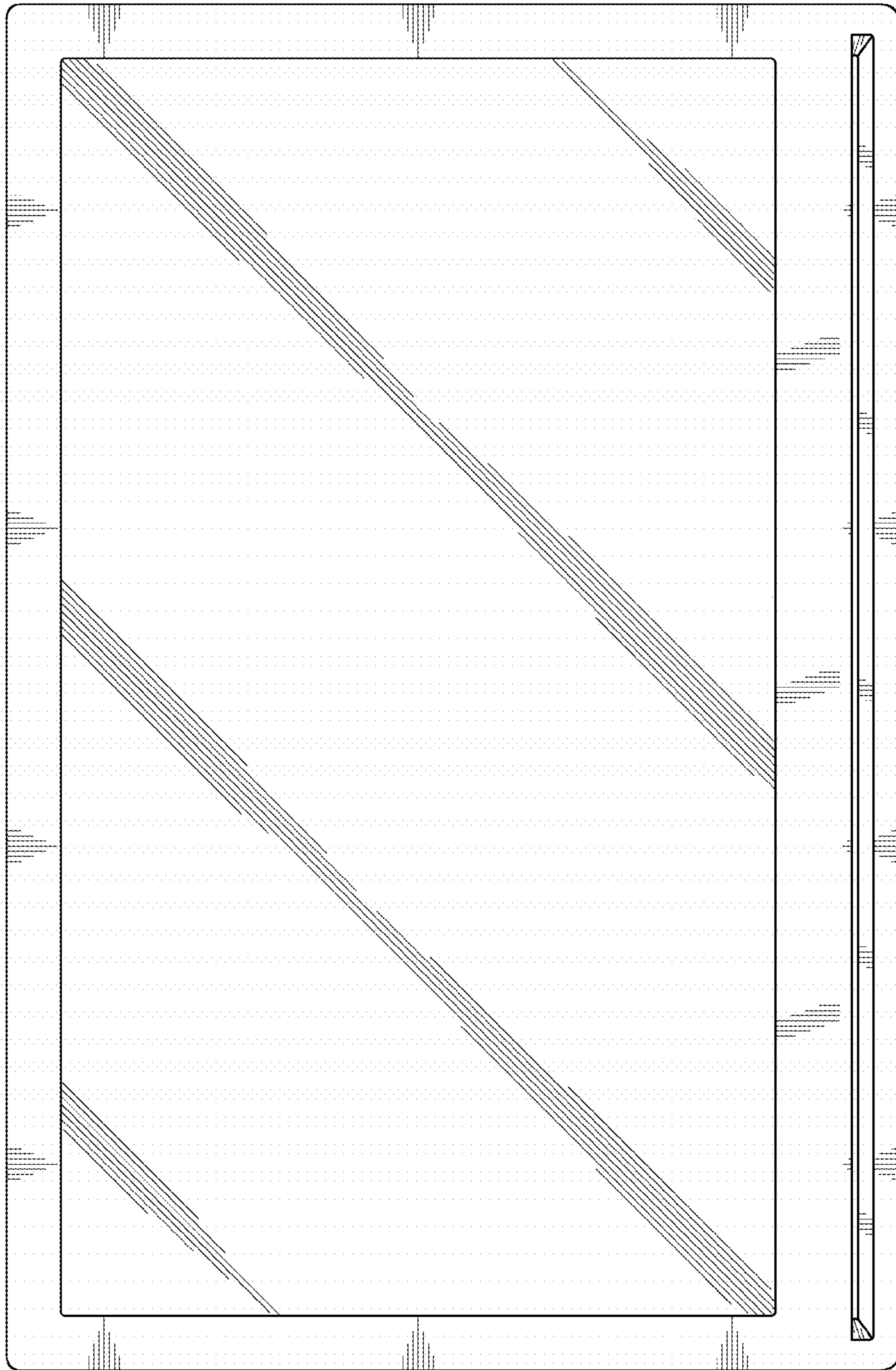


FIG.2

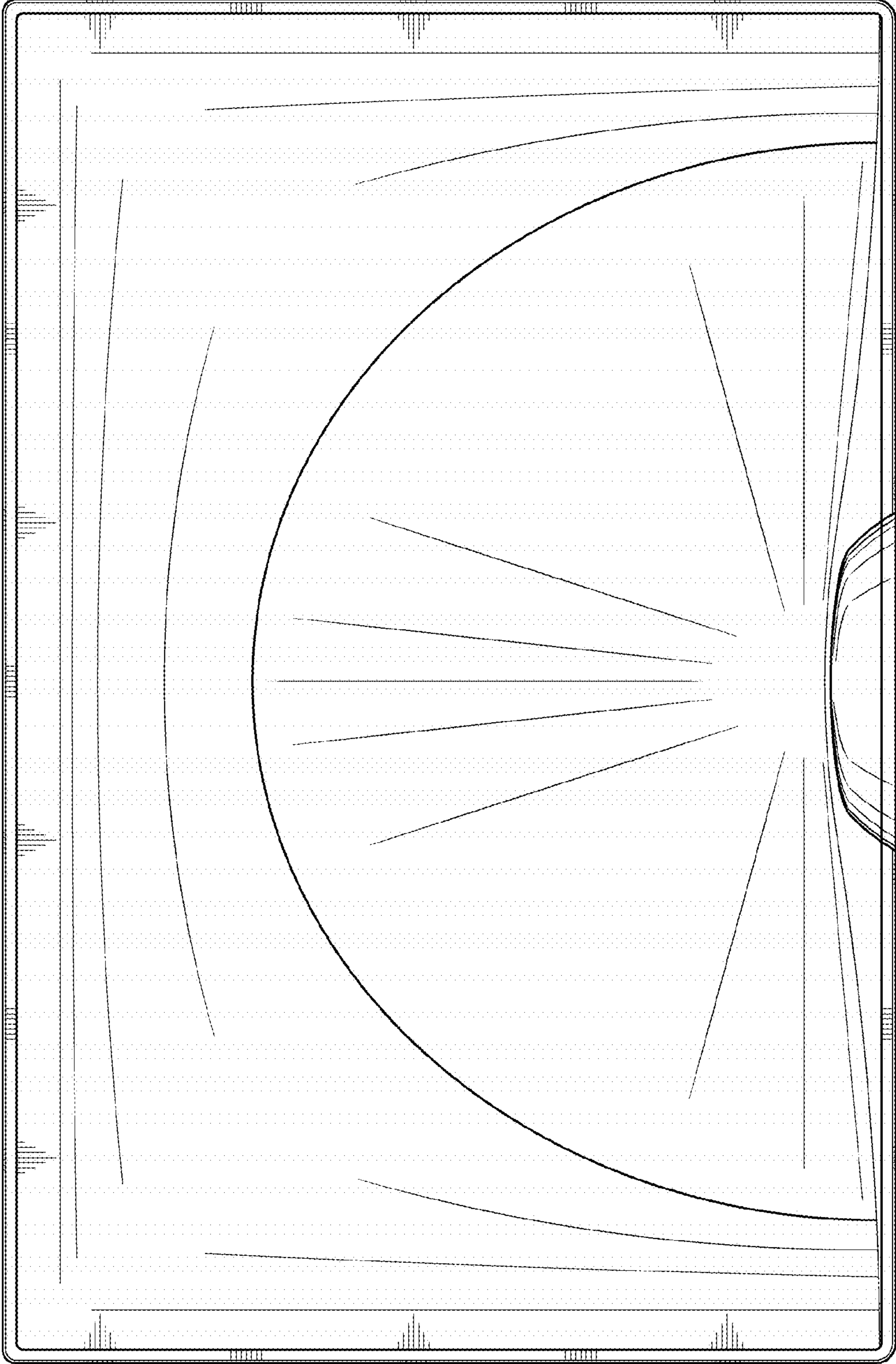


FIG.3

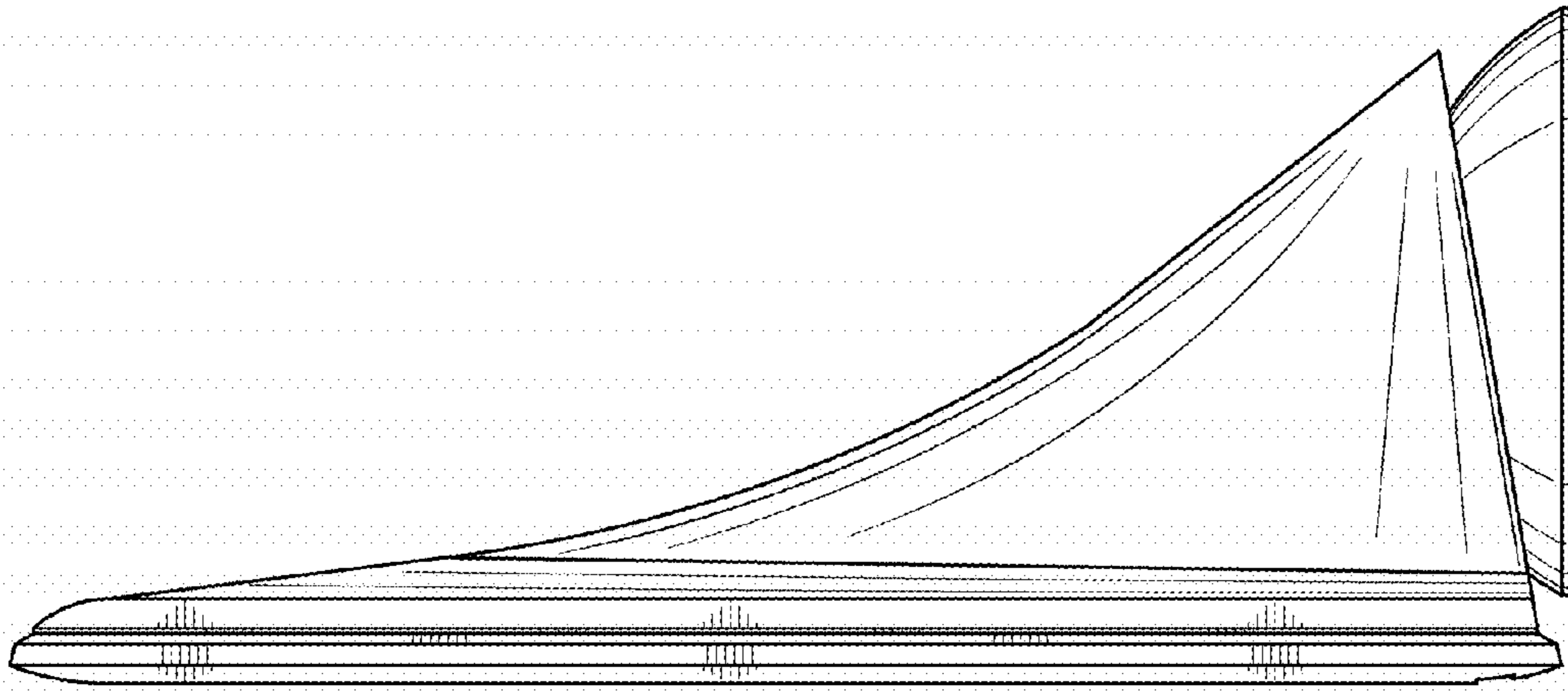


FIG. 5

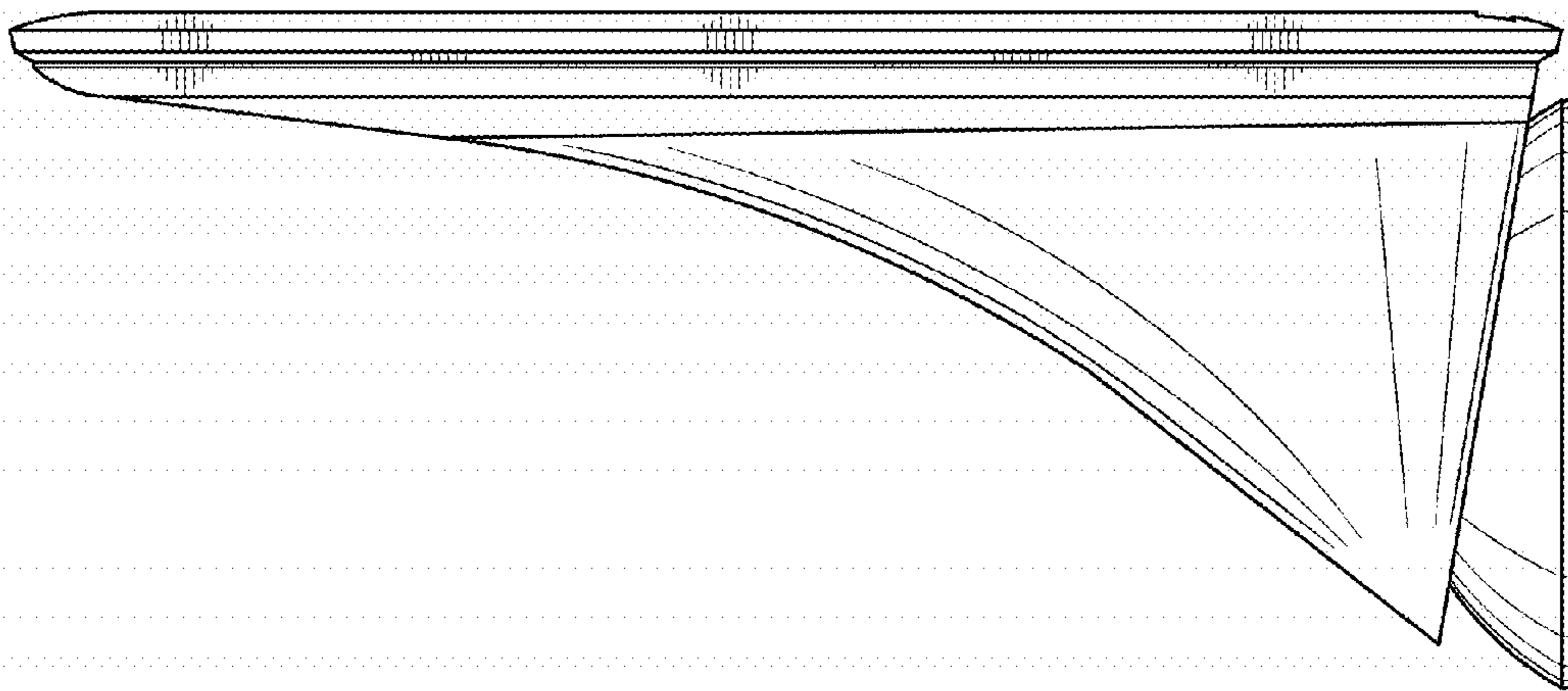


FIG. 4

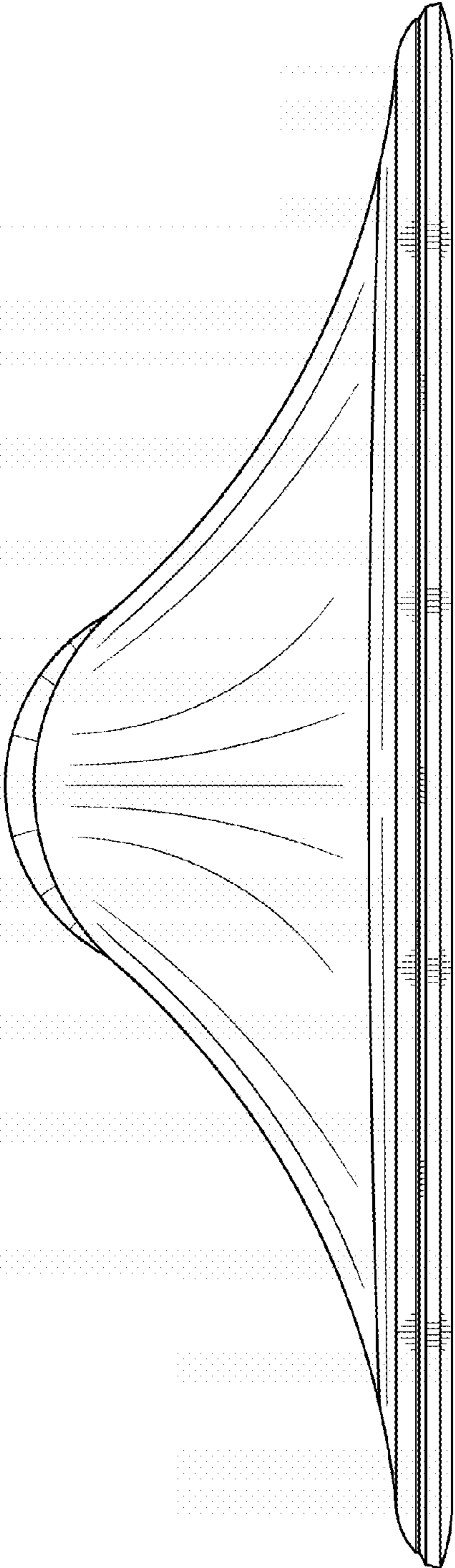


FIG. 6

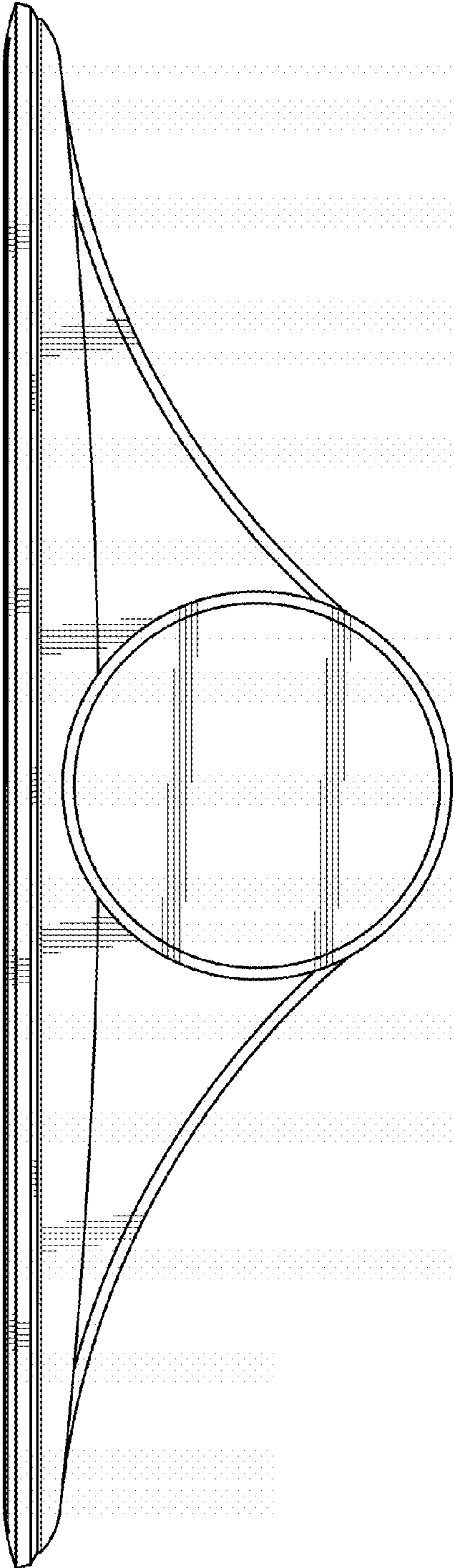


FIG. 7

UNITED STATES PATENT AND TRADEMARK OFFICE
CERTIFICATE OF CORRECTION

PATENT NO. : D682,272 S
APPLICATION NO. : 29/426896
DATED : May 14, 2013
INVENTOR(S) : Hee-Bong Kim et al.

Page 1 of 1

It is certified that error appears in the above-identified patent and that said Letters Patent is hereby corrected as shown below:

Item (73), the assignee of record needs to be added to the Title page of the patent:

--(73) Assignee: Samsung Electronics Co., Ltd., Suwon-Si (KR)--

Signed and Sealed this
Twelfth Day of November, 2013



Teresa Stanek Rea
Deputy Director of the United States Patent and Trademark Office