



US00D682270S

(12) **United States Design Patent**
Lee et al.

(10) **Patent No.:** **US D682,270 S**
(45) **Date of Patent:** **** May 14, 2013**

(54) **MONITOR**

(75) Inventors: **Jung-Hyun Lee**, Seoul (KR); **Tae-Yeon Won**, Seoul (KR)

(73) Assignee: **Samsung Electronics Co., Ltd.**, Suwon-Si (KR)

(**) Term: **14 Years**

(21) Appl. No.: **29/419,916**

(22) Filed: **May 2, 2012**

(30) **Foreign Application Priority Data**

Nov. 18, 2011 (KR) 30-2011-0048590

(51) **LOC (9) Cl.** **14-02**

(52) **U.S. Cl.**
USPC **D14/374**

(58) **Field of Classification Search** D14/371-375,
D14/125-129, 336, 337; 341/12; 345/104,
345/156, 168, 173; 348/180, 184, 325, 739;
349/1, 2, 11, 62; 361/679.05-679.07, 679.21;
D6/300, 308

See application file for complete search history.

(56) **References Cited**

U.S. PATENT DOCUMENTS

| | | |
|------------|---------|-------------|
| D439,224 S | 3/2001 | Kita |
| D471,893 S | 3/2003 | Jung |
| D472,897 S | 4/2003 | Park |
| D494,941 S | 8/2004 | Kim |
| D499,386 S | 12/2004 | Yang |
| D512,424 S | 12/2005 | Kim |
| D520,975 S | 5/2006 | Kim et al. |
| D521,511 S | 5/2006 | Kim et al. |
| D521,996 S | 5/2006 | Kim et al. |
| D521,997 S | 5/2006 | Park et al. |
| D524,313 S | 7/2006 | Boo et al. |
| D527,003 S | 8/2006 | Kim et al. |

| | | |
|------------|---------|------------------|
| D528,115 S | 9/2006 | Yoon |
| D528,116 S | 9/2006 | Won et al. |
| D529,019 S | 9/2006 | Lim |
| D529,910 S | 10/2006 | Ota |
| D529,911 S | 10/2006 | Yamashiro et al. |
| D532,764 S | 11/2006 | Kim et al. |
| D533,848 S | 12/2006 | Lee et al. |
| D534,510 S | 1/2007 | Kang et al. |
| D534,883 S | 1/2007 | Kang et al. |
| D535,267 S | 1/2007 | Kang et al. |

(Continued)

FOREIGN PATENT DOCUMENTS

| | | |
|----|---------------|---------|
| KR | 3001890590000 | 11/1996 |
| KR | 3001890600000 | 11/1996 |

(Continued)

OTHER PUBLICATIONS

U.S. Appl. No. 29/393,955, Applicant: Lee, et al., filed Jun. 10, 2011 entitled Monitor for Computer.

(Continued)

Primary Examiner — Freda S Nunn
(74) *Attorney, Agent, or Firm* — Wood, Herron & Evans, LLP

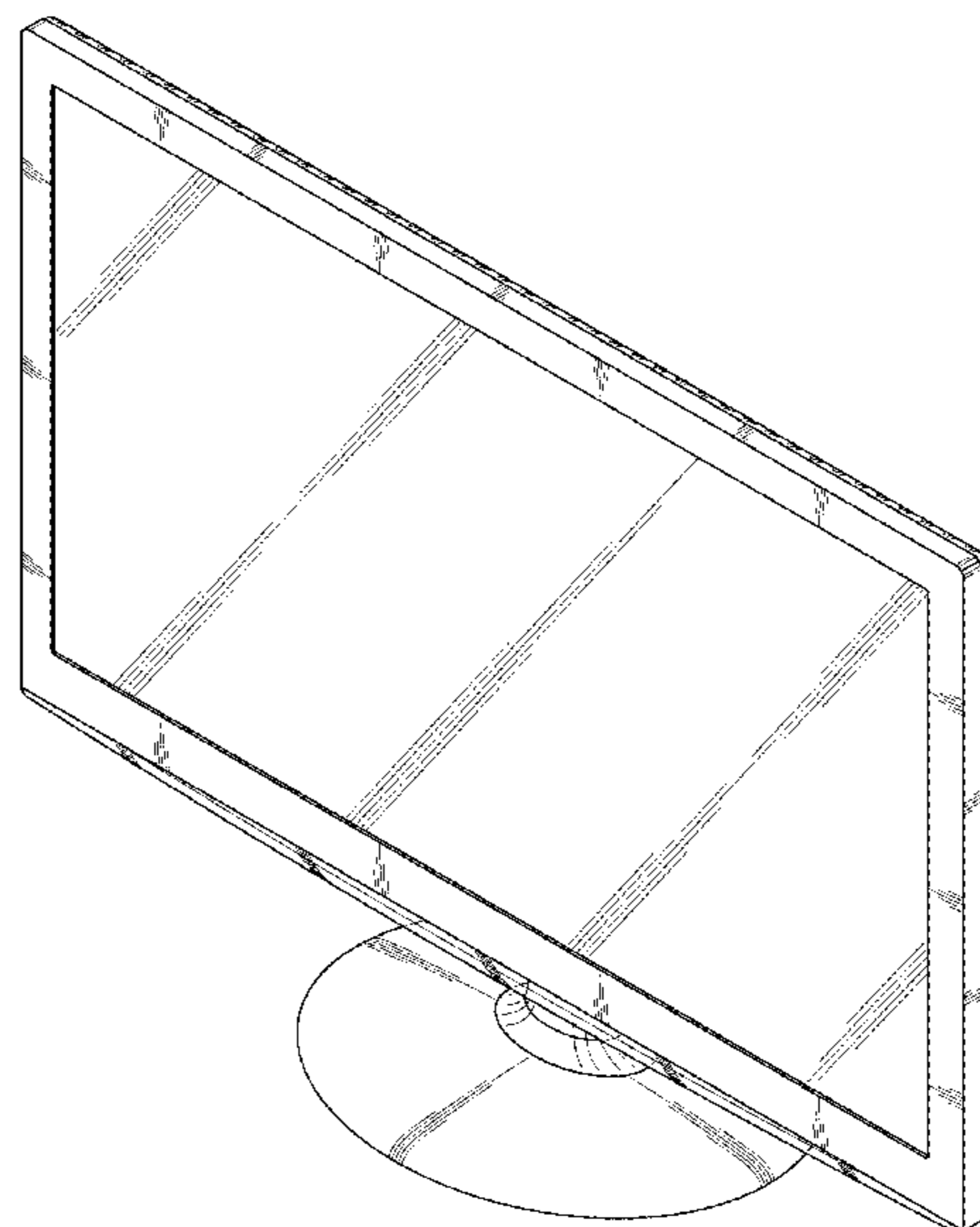
(57) **CLAIM**

The ornamental design for a monitor, as shown and described.

DESCRIPTION

FIG. 1 is a top front perspective view of a monitor showing our new design;
FIG. 2 is a front elevational view thereof;
FIG. 3 is a rear elevational view thereof;
FIG. 4 is a left side elevational view thereof;
FIG. 5 is a right side elevational view thereof;
FIG. 6 is a top plan view thereof; and,
FIG. 7 is a bottom plan view thereof.

1 Claim, 7 Drawing Sheets



US D682,270 S

| U.S. PATENT DOCUMENTS | | | | | |
|-----------------------|---------|----------------|--------------|---------|--------------------------|
| D536,677 S | 2/2007 | Kim et al. | D573,118 S | 7/2008 | Yang et al. |
| D537,072 S | 2/2007 | Kim et al. | D573,559 S | 7/2008 | Kim et al. |
| D537,079 S | 2/2007 | Park | D573,584 S | 7/2008 | Kim |
| D539,242 S | 3/2007 | Lee et al. | D575,247 S | 8/2008 | Lee |
| D539,281 S | 3/2007 | Kim et al. | D576,622 S | 9/2008 | Park |
| D539,767 S | 4/2007 | Kang et al. | D579,003 S | 10/2008 | Kim et al. |
| D540,277 S | 4/2007 | Kim et al. | D579,889 S | 11/2008 | Noh |
| D540,780 S | 4/2007 | Kim | D579,915 S | 11/2008 | Yeo |
| D541,236 S | 4/2007 | Kim et al. | D582,365 S | 12/2008 | Yang et al. |
| D541,763 S | 5/2007 | Kim | D582,366 S | 12/2008 | Yang et al. |
| D541,766 S | 5/2007 | Kita | D582,867 S | 12/2008 | Song et al. |
| D541,774 S | 5/2007 | Kita | D583,801 S | 12/2008 | Son et al. |
| D541,775 S | 5/2007 | Kita | D584,258 S | 1/2009 | Yang et al. |
| D542,746 S | 5/2007 | Kim | D584,286 S | 1/2009 | Kim |
| D542,747 S | 5/2007 | Kim et al. | D584,288 S | 1/2009 | Kim |
| D542,748 S | 5/2007 | Kim et al. | D584,309 S | 1/2009 | Kim et al. |
| D542,749 S | 5/2007 | Kim et al. | D584,310 S | 1/2009 | Kim et al. |
| D543,163 S | 5/2007 | Yang et al. | D584,729 S | 1/2009 | Kim et al. |
| D543,164 S | 5/2007 | Yang et al. | D586,781 S | 2/2009 | Kim |
| D544,849 S | 6/2007 | Yang et al. | D586,782 S | 2/2009 | Kim |
| D545,300 S | 6/2007 | Hong et al. | D586,785 S | 2/2009 | Kim |
| D545,312 S | 6/2007 | Kim | D586,811 S | 2/2009 | Kim et al. |
| D545,313 S | 6/2007 | Kim | D587,237 S | 2/2009 | Son et al. |
| D545,314 S | 6/2007 | Kim | D587,712 S | 3/2009 | Park et al. |
| D545,315 S | 6/2007 | Kim | D588,103 S | 3/2009 | Lee et al. |
| D545,316 S | 6/2007 | Kim | D588,104 S | 3/2009 | Lee et al. |
| D545,776 S | 7/2007 | Kwon | D588,117 S | 3/2009 | Arai |
| D545,778 S | 7/2007 | Isshiki | D588,576 S | 3/2009 | Son et al. |
| D545,820 S | 7/2007 | Won et al. | D591,269 S | 4/2009 | Kim et al. |
| D546,331 S | 7/2007 | Kim | D592,179 S | 5/2009 | Ichinose et al. |
| D547,276 S | 7/2007 | Yang et al. | D592,621 S | 5/2009 | Han |
| D547,313 S | 7/2007 | Kim | D593,068 S | 5/2009 | Kim et al. |
| D548,205 S | 8/2007 | Kim et al. | D593,069 S | 5/2009 | Son et al. |
| D548,206 S | 8/2007 | Han | D593,974 S | 6/2009 | Yang et al. |
| D548,222 S | 8/2007 | Kim | D597,041 S | 7/2009 | Cho et al. |
| D548,708 S | 8/2007 | Park et al. | D597,977 S | 8/2009 | Won et al. |
| D551,186 S | 9/2007 | Yang et al. | D597,978 S | 8/2009 | Won et al. |
| D551,194 S | 9/2007 | Kim et al. | D598,899 S | 8/2009 | Tkachuk |
| D551,636 S | 9/2007 | Kang et al. | D601,104 S | 9/2009 | Kim |
| D551,655 S | 9/2007 | Kim | D603,816 S | 11/2009 | Kim et al. |
| D551,665 S | 9/2007 | Tom et al. | D603,817 S | 11/2009 | Kim et al. |
| D552,090 S | 10/2007 | Kita | D605,148 S | 12/2009 | Boo et al. |
| D552,509 S | 10/2007 | Walkup et al. | D605,149 S | 12/2009 | Kim et al. |
| D553,108 S | 10/2007 | Won et al. | D605,160 S | 12/2009 | Eaton |
| D554,601 S | 11/2007 | Won et al. | D607,426 S | 1/2010 | Yang |
| D556,159 S | 11/2007 | Park et al. | D608,311 S | 1/2010 | Lee et al. |
| D556,160 S | 11/2007 | Lee et al. | D608,314 S | 1/2010 | Boo et al. |
| D556,709 S | 12/2007 | Kim et al. | D609,658 S | 2/2010 | Kim et al. |
| D556,755 S | 12/2007 | Lee et al. | D610,143 S | 2/2010 | Park et al. |
| D556,756 S | 12/2007 | Kataoka et al. | D614,596 S | 4/2010 | Won et al. |
| D556,757 S | 12/2007 | Kim et al. | D615,509 S | 5/2010 | Song et al. |
| D558,201 S | 12/2007 | Park et al. | D615,510 S | 5/2010 | Won et al. |
| D558,696 S | 1/2008 | Park et al. | D615,511 S | 5/2010 | Shin et al. |
| D560,209 S | 1/2008 | Kim et al. | D615,938 S | 5/2010 | Song et al. |
| D560,211 S | 1/2008 | Kim et al. | D615,963 S | 5/2010 | Cho et al. |
| D560,686 S | 1/2008 | Kim | D616,842 S | 6/2010 | Kim |
| D561,130 S | 2/2008 | Won et al. | D616,884 S | 6/2010 | Kim et al. |
| D561,134 S | 2/2008 | Kim et al. | D619,979 S | 7/2010 | Lee et al. |
| D561,135 S | 2/2008 | Won et al. | D620,461 S | 7/2010 | Han et al. |
| D561,136 S | 2/2008 | Won et al. | D620,901 S | 8/2010 | Won et al. |
| D561,141 S | 2/2008 | Cho et al. | D620,902 S | 8/2010 | Kim et al. |
| D561,142 S | 2/2008 | Oh | D620,903 S | 8/2010 | Song et al. |
| D561,161 S | 2/2008 | Cho | D622,235 S | 8/2010 | Lee et al. |
| D562,788 S | 2/2008 | Asanuma et al. | D624,047 S | 9/2010 | Kim |
| 7,336,478 B2 | 2/2008 | Jang | D624,048 S | 9/2010 | Kim |
| D564,472 S | 3/2008 | Won et al. | D625,278 S | 10/2010 | Kim et al. |
| D565,521 S | 4/2008 | Yang et al. | D626,101 S | 10/2010 | Kim et al. |
| D567,198 S | 4/2008 | Yang et al. | D628,556 S | 12/2010 | Lee et al. |
| D567,199 S | 4/2008 | Kim et al. | D629,388 S | 12/2010 | Son et al. |
| D567,203 S | 4/2008 | Park | D630,209 S | 1/2011 | Lee et al. |
| D569,818 S | 5/2008 | Kim et al. | D631,868 S | 2/2011 | Chung |
| D570,333 S | 6/2008 | Cho | D632,291 S | 2/2011 | Park |
| D570,828 S | 6/2008 | Cho | D634,302 S | 3/2011 | Chung et al. |
| D570,841 S | 6/2008 | Kim et al. | D634,323 S | 3/2011 | Park et al. |
| D571,785 S | 6/2008 | Kim | D634,745 S | 3/2011 | Park et al. |
| D571,786 S | 6/2008 | Cho | D635,140 S * | 3/2011 | Tsai et al. D14/374 |
| D572,680 S | 7/2008 | Lee et al. | D635,569 S | 4/2011 | Park |
| D572,682 S | 7/2008 | Won et al. | D635,975 S | 4/2011 | Seo et al. |
| | | | D635,976 S | 4/2011 | Lee et al. |

US D682,270 S

Page 3

| | | |
|------------|--------|------------|
| D657,789 S | 4/2012 | Lee et al. |
| D657,790 S | 4/2012 | Lee et al. |
| D657,791 S | 4/2012 | Kim et al. |
| D657,792 S | 4/2012 | Lee et al. |
| D658,176 S | 4/2012 | Lee et al. |
| D661,303 S | 6/2012 | Fukusawa |

| | | |
|----|---------------|--------|
| KR | 3006046460000 | 7/2011 |
| KR | 3006076840000 | 8/2011 |
| KR | 3006077890000 | 8/2011 |
| KR | 3006077900000 | 8/2011 |
| KR | 3006080880000 | 8/2011 |
| KR | 3006084850000 | 8/2011 |

FOREIGN PATENT DOCUMENTS

| | | |
|----|---------------|---------|
| KR | 3001954000000 | 3/1997 |
| KR | 3003049270000 | 8/2002 |
| KR | 3003832320000 | 6/2005 |
| KR | 3003879930000 | 8/2005 |
| KR | 3004144010000 | 5/2006 |
| KR | 3004230930000 | 8/2006 |
| KR | 3005011860000 | 8/2006 |
| KR | 3004261490000 | 9/2006 |
| KR | 3004261500000 | 9/2006 |
| KR | 3004230920001 | 10/2006 |
| KR | 3004293530000 | 11/2006 |
| KR | 3004293530001 | 11/2006 |
| KR | 3004339210000 | 12/2006 |
| KR | 3004388560001 | 2/2007 |
| KR | 3004388560002 | 3/2007 |
| KR | 3004745330000 | 1/2008 |
| KR | 3004772070000 | 1/2008 |
| KR | 3004808250000 | 3/2008 |
| KR | 3004809710000 | 3/2008 |
| KR | 3004745330001 | 4/2008 |
| KR | 3004873790000 | 4/2008 |
| KR | 3004873800000 | 4/2008 |
| KR | 3004873810000 | 4/2008 |
| KR | 3005845050000 | 1/2011 |
| KR | 3006046450000 | 7/2011 |

OTHER PUBLICATIONS

U.S. Appl. No. 29/393,889, Applicant: Kim, et al., filed Jun. 10, 2011 entitled Monitor for Computer.

U.S. Appl. No. 29/393,886, Applicant: Lee, et al., filed Jun. 10, 2011 entitled Monitor for Computer.

U.S. Appl. No. 29/397,053, Applicant: Lee, et al., filed Jul. 11, 2011, entitled Monitor for Computer.

U.S. Appl. No. 29/419,038, Applicant: Lee, et al., filed Apr. 24, 2012, entitled Monitor.

U.S. Appl. No. 29/426,896, Applicant: Kim, et al., filed Jul. 11, 2012, entitled Monitor.

U.S. Appl. No. 29/422,777, Applicant: Lee, et al., filed May 23, 2012, entitled Monitor.

U.S. Appl. No. 29/423,296, Applicant: Lee, et al., filed May 30, 2012, entitled Monitor.

U.S. Appl. No. 29/425,733, Applicant: Gyoo-Sang Choi, filed Jun. 26, 2012, entitled Monitor.

U.S. Appl. No. 29/425,734, Applicant: Kim, et al., filed Jun. 26, 2012, entitled Monitor.

U.S. Appl. No. 29/426,696, Applicant: Seong, et al., filed Jul. 9, 2012, entitled Monitor.

* cited by examiner

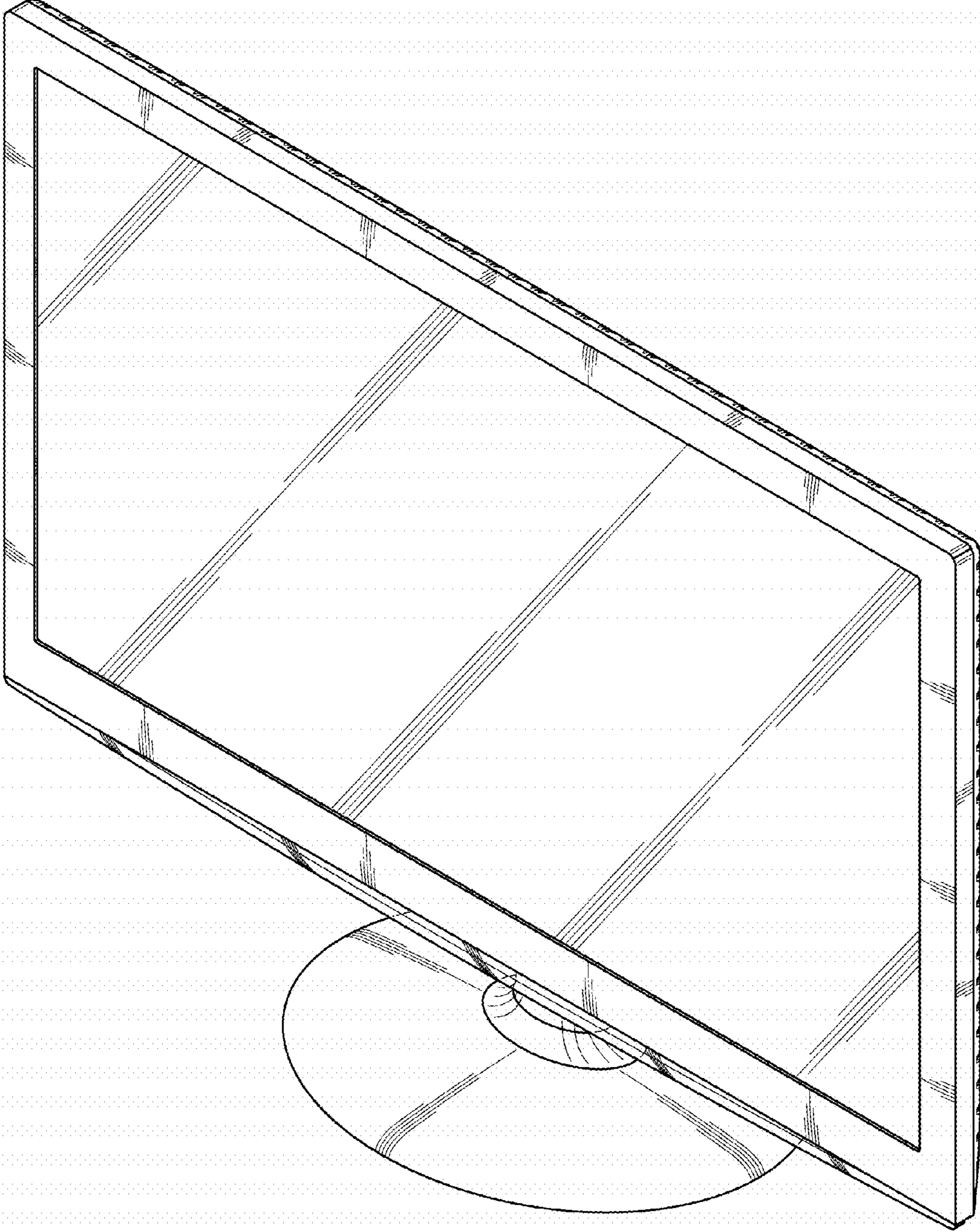
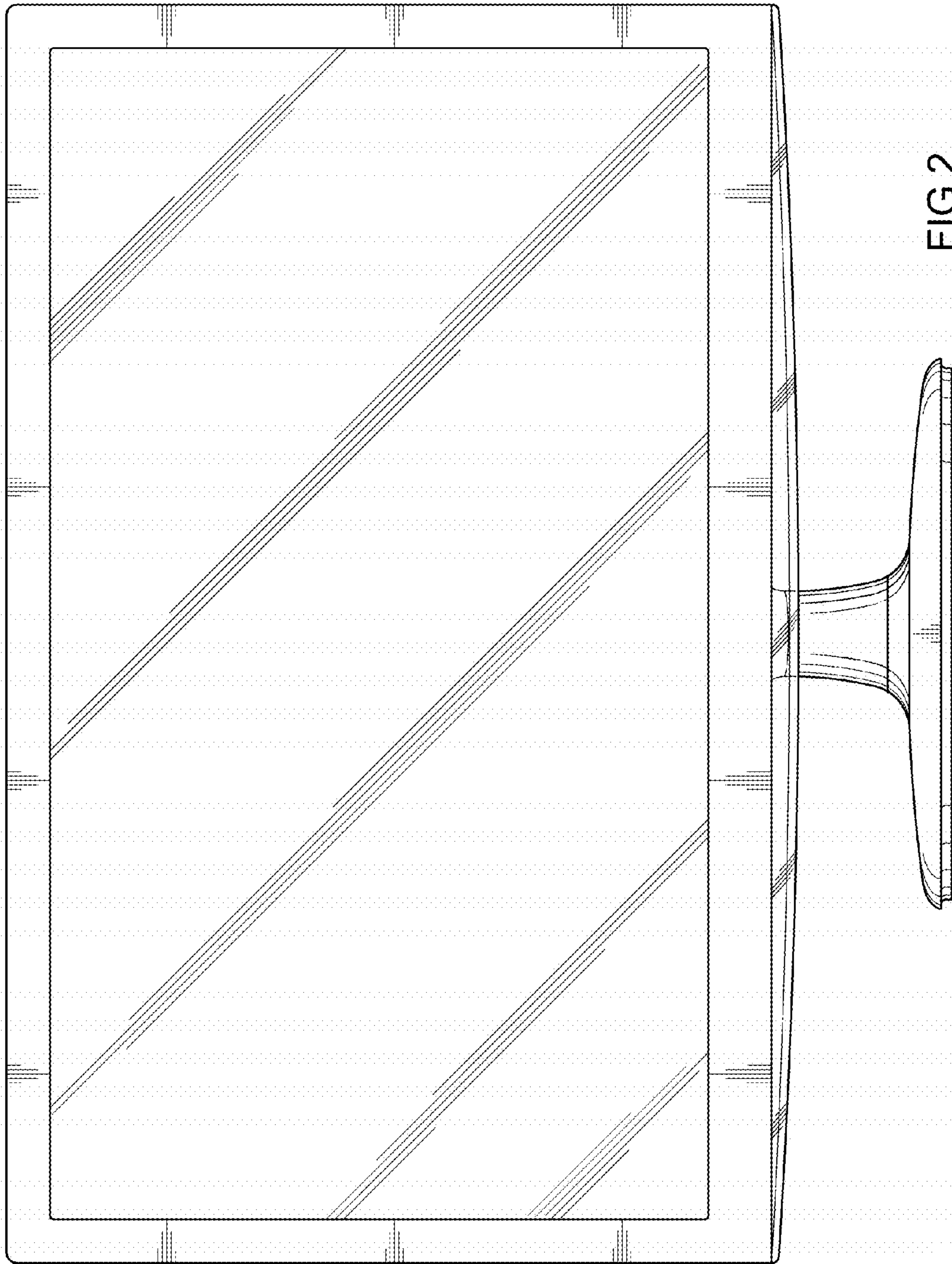


FIG. 1



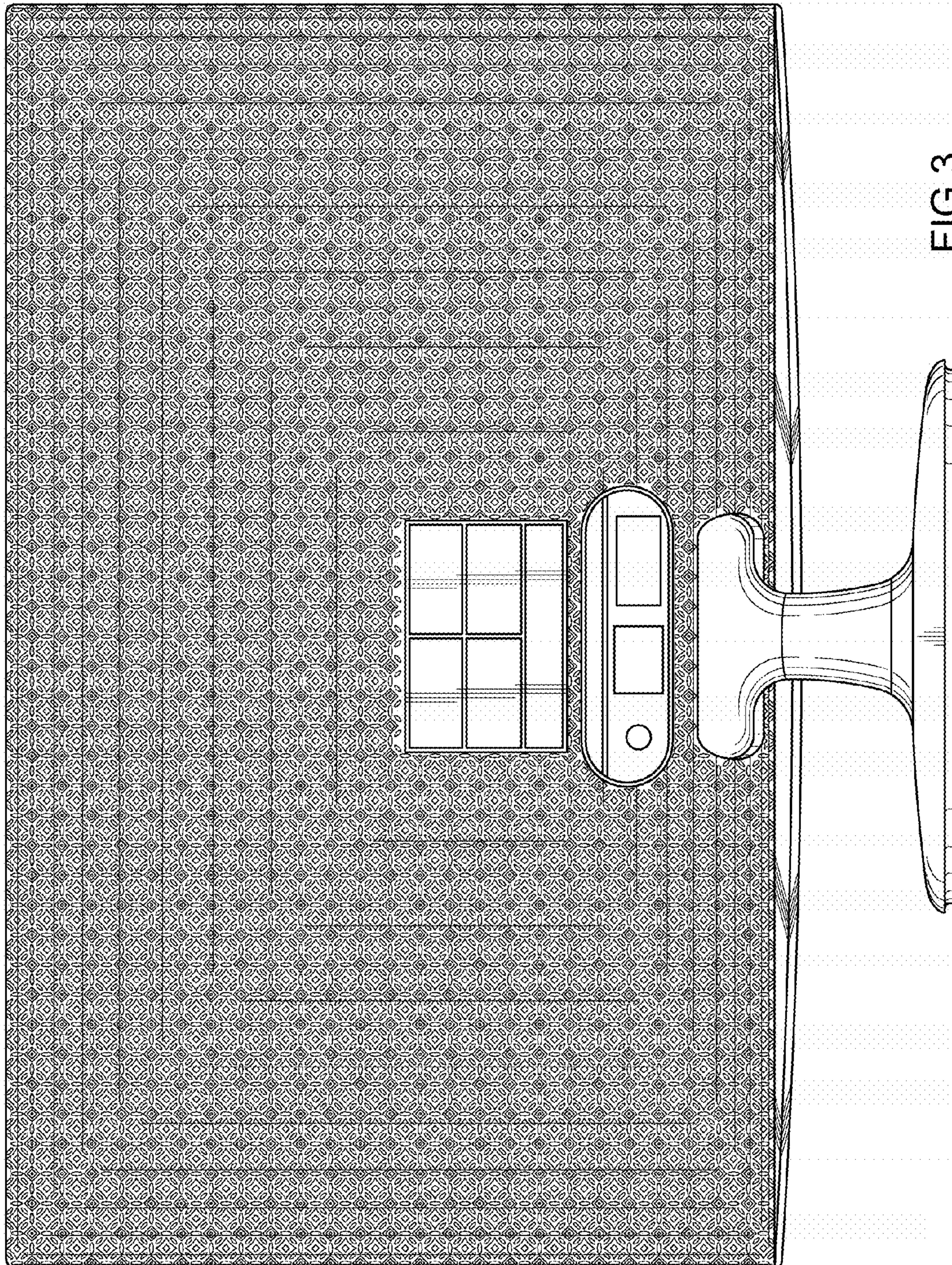


FIG.3

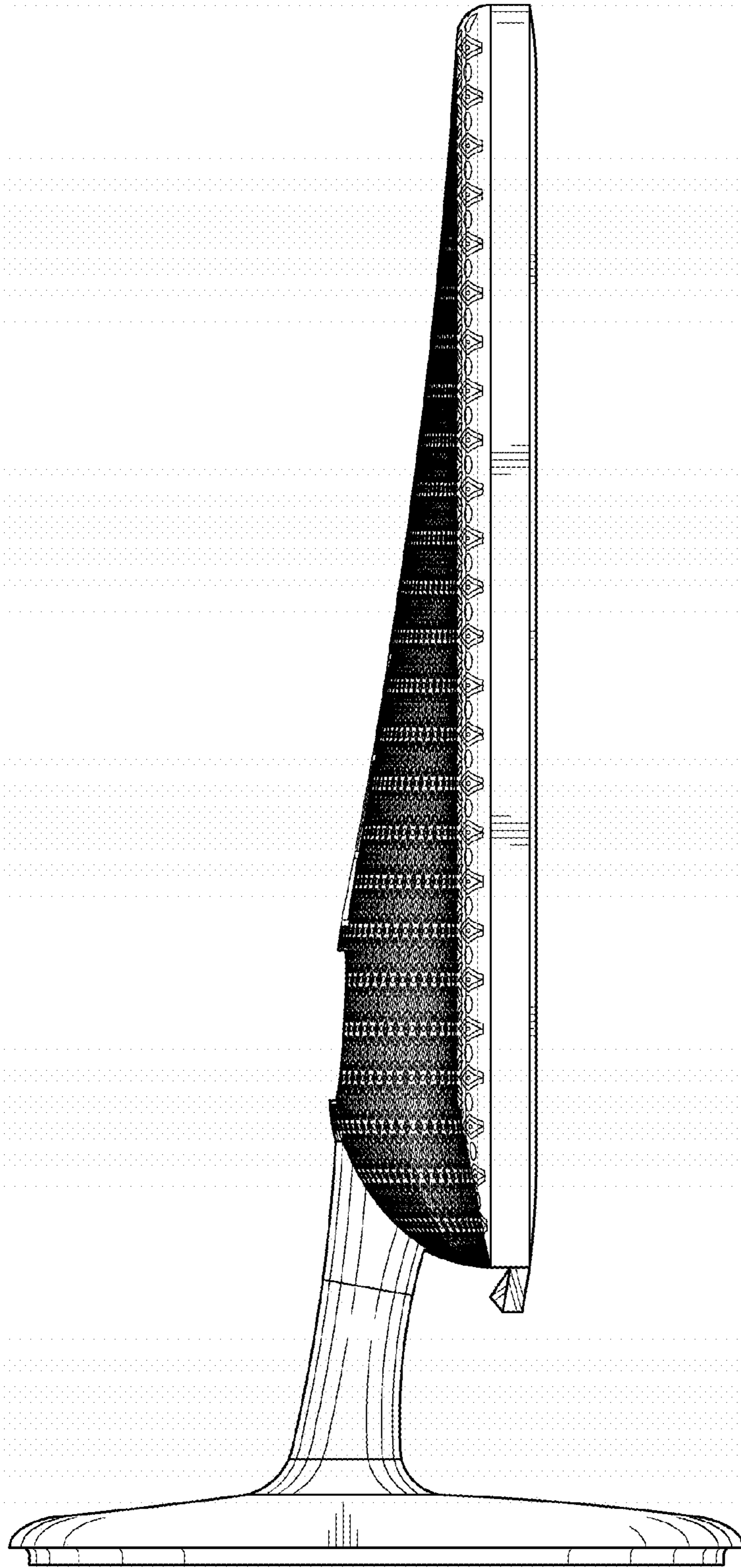


FIG.4

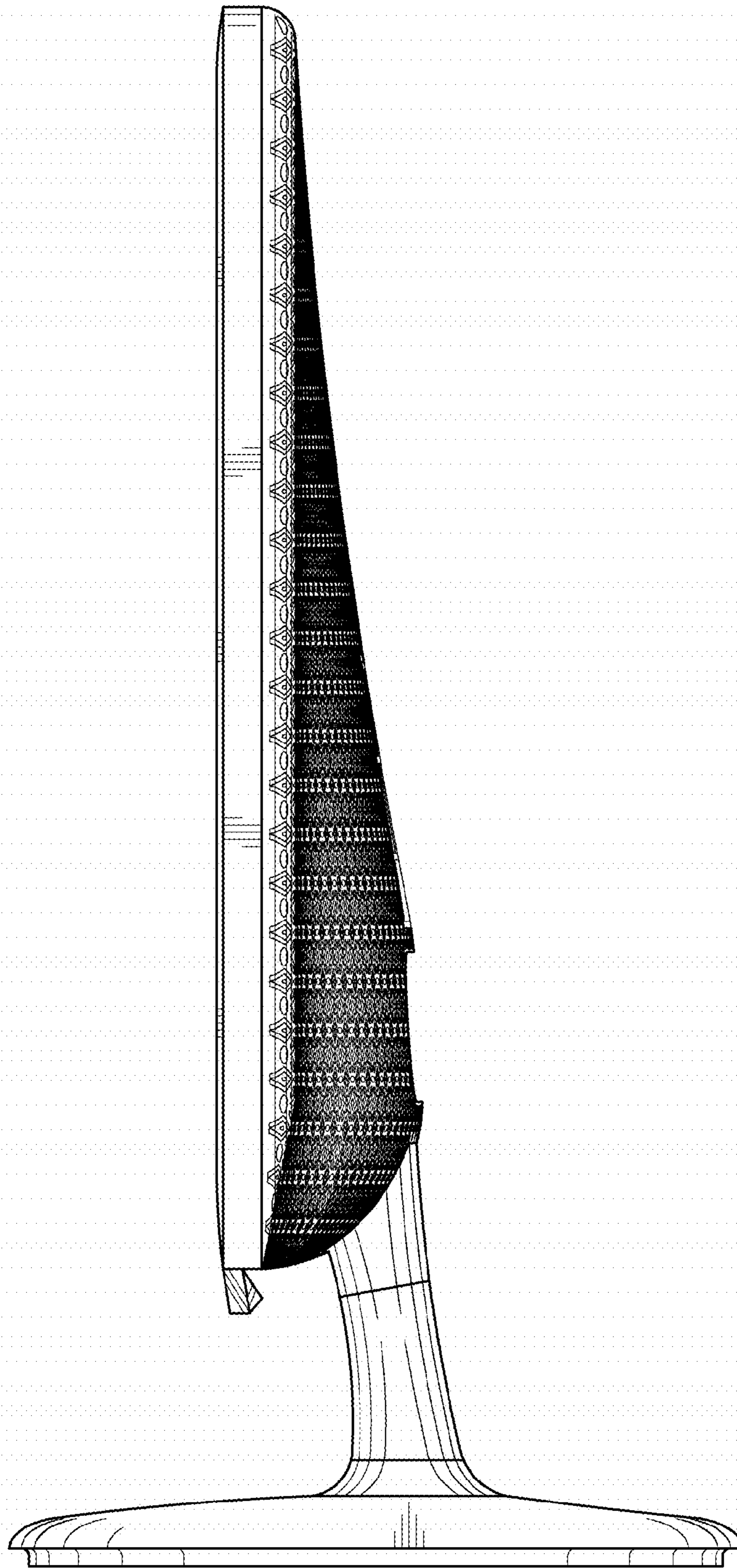


FIG. 5

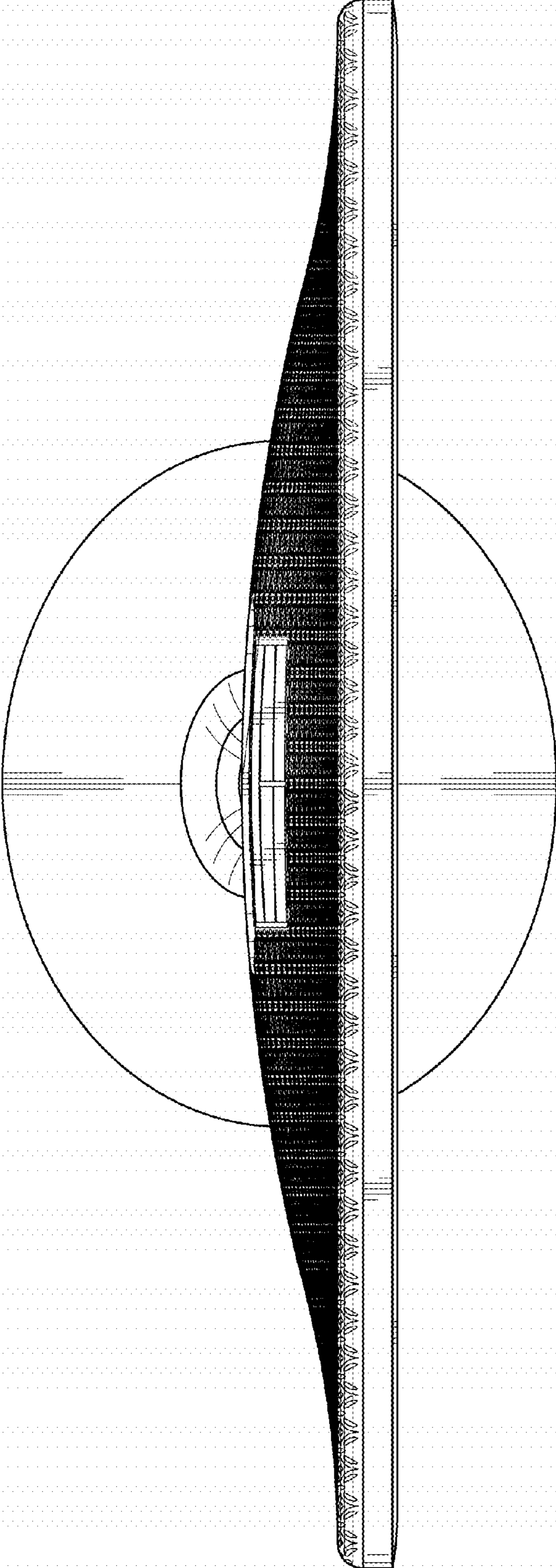


FIG.6

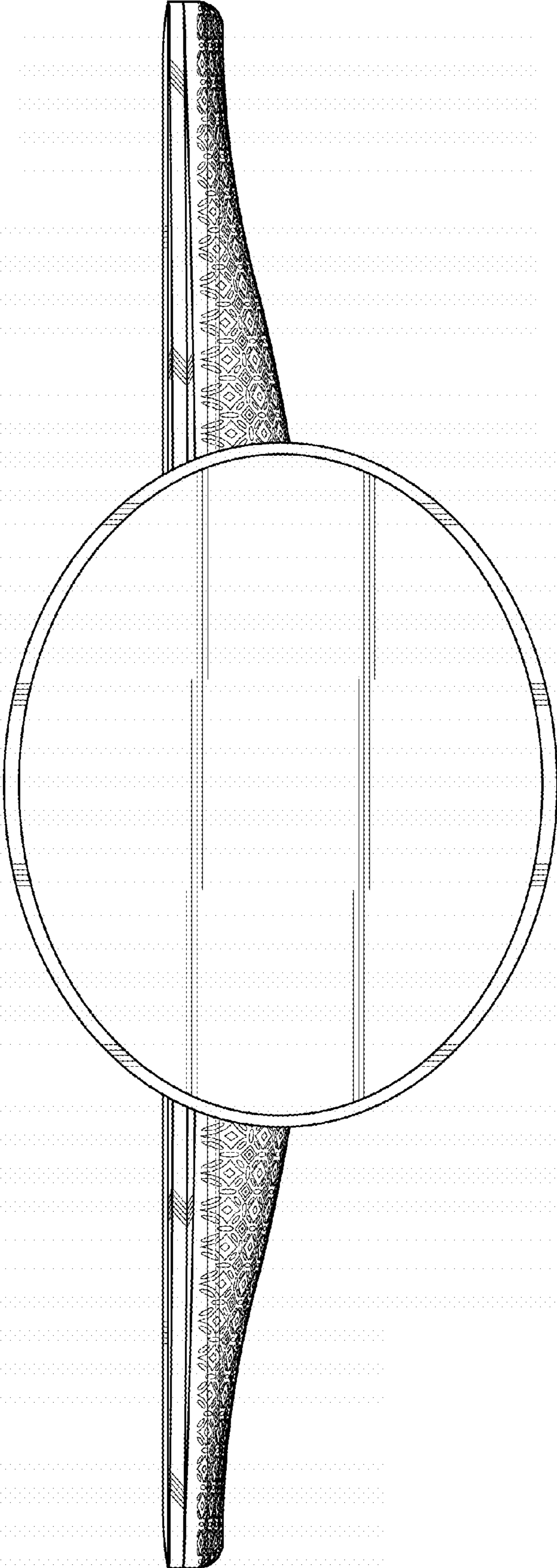


FIG.7