



US00D682269S

(12) **United States Design Patent**  
**Lee et al.**

(10) **Patent No.:** **US D682,269 S**  
(45) **Date of Patent:** **\*\* May 14, 2013**

(54) **MONITOR**

(75) Inventors: **Min-Hee Lee**, Seoul (KR); **Koung-Won Park**, Seoul (KR); **Tae-Yeon Won**, Seoul (KR); **Yun-Je Kang**, Yongin (KR)

(73) Assignee: **Samsung Electronics Co., Ltd.**, Suwon-Si (KR)

(\*\*) Term: **14 Years**

(21) Appl. No.: **29/419,038**

(22) Filed: **Apr. 24, 2012**

(30) **Foreign Application Priority Data**

Oct. 25, 2011 (KR) ..... 30-2011-0044579

(51) **LOC (9) Cl.** ..... **14-02**

(52) **U.S. Cl.**  
USPC ..... **D14/374**

(58) **Field of Classification Search** ..... D14/371-375,  
D14/125-129, 336, 337; 341/12; 345/104,  
345/156, 168, 173; 348/180, 184, 325, 739;  
349/1, 2, 11, 62; 361/679.05-679.07, 679.21;  
D6/300, 308  
See application file for complete search history.

(56) **References Cited**

**U.S. PATENT DOCUMENTS**

D439,224 S 3/2001 Kita  
D471,893 S 3/2003 Jung  
D472,897 S 4/2003 Park  
D494,941 S 8/2004 Kim  
D499,386 S 12/2004 Yang  
D512,424 S 12/2005 Kim  
D520,975 S 5/2006 Kim et al.  
D521,511 S 5/2006 Kim et al.  
D521,996 S 5/2006 Kim et al.  
D521,997 S 5/2006 Park et al.  
D524,313 S 7/2006 Boo et al.

D527,003 S 8/2006 Kim et al.  
D528,115 S 9/2006 Yoon  
D528,116 S 9/2006 Won et al.  
D529,019 S 9/2006 Lim  
D529,910 S 10/2006 Ota  
D529,911 S 10/2006 Yamashiro et al.  
D532,764 S 11/2006 Kim et al.  
D533,848 S 12/2006 Lee et al.  
D534,510 S 1/2007 Kang et al.  
D534,883 S 1/2007 Kang et al.

(Continued)

**FOREIGN PATENT DOCUMENTS**

KR 3001890590000 11/1996  
KR 3001890600000 11/1996

(Continued)

**OTHER PUBLICATIONS**

U.S. Appl. No. 29/393,955, Applicant: Lee, et al., filed Jun. 10, 2011 entitled Monitor for Computer.

(Continued)

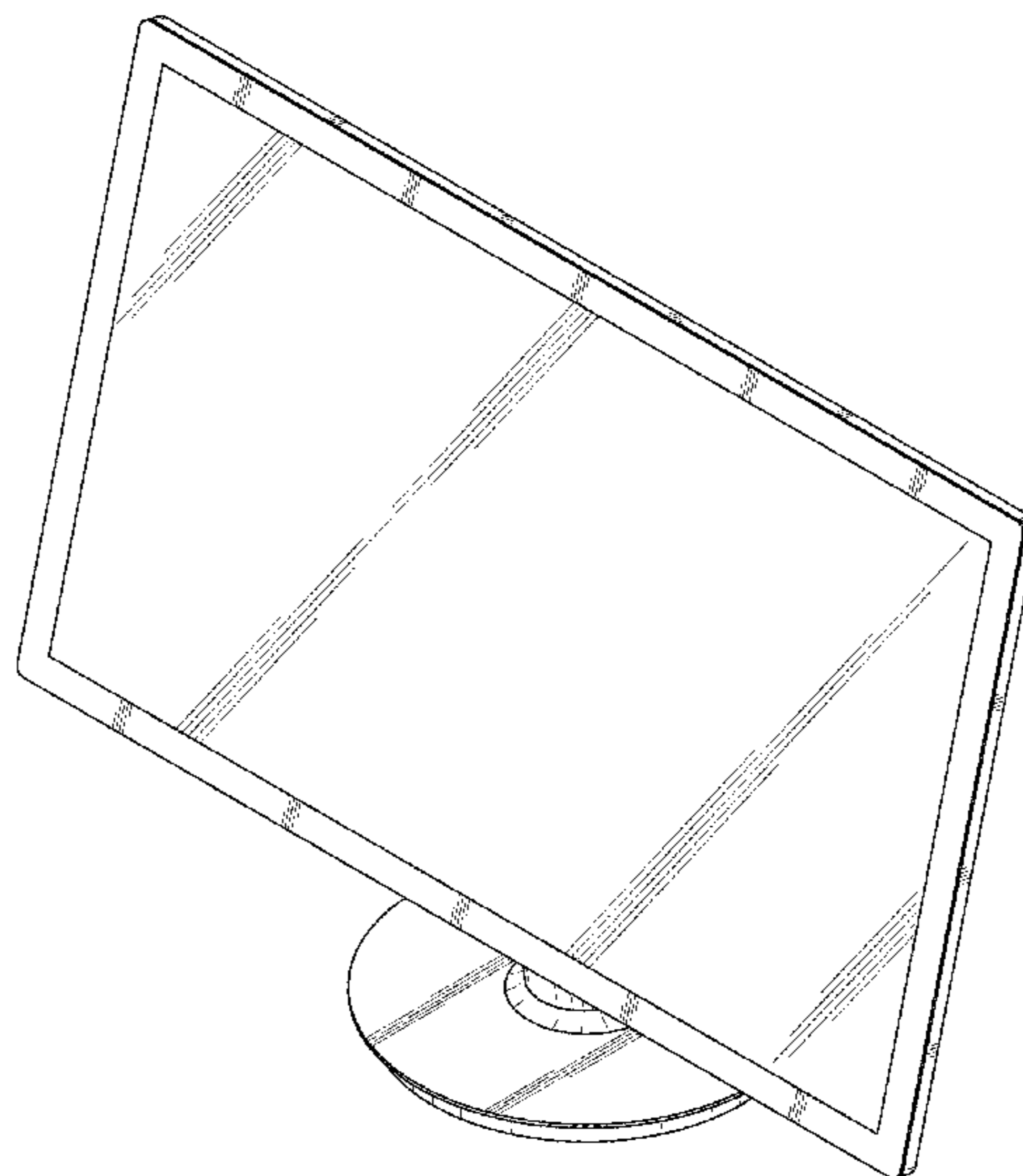
*Primary Examiner* — Freda S Nunn  
(74) *Attorney, Agent, or Firm* — Wood, Herron & Evans, LLP

(57) **CLAIM**  
The ornamental design for a monitor, as shown and described.

**DESCRIPTION**

FIG. 1 is a top front perspective view of a monitor showing our new design;  
FIG. 2 is a front elevational view thereof;  
FIG. 3 is a rear elevational view thereof;  
FIG. 4 is a left side elevational view thereof;  
FIG. 5 is a right side elevational view thereof;  
FIG. 6 is a top plan view thereof; and,  
FIG. 7 is a bottom plan view thereof.

**1 Claim, 5 Drawing Sheets**



# US D682,269 S

| U.S. PATENT DOCUMENTS |         |                |              |         |                          |
|-----------------------|---------|----------------|--------------|---------|--------------------------|
| D535,267 S            | 1/2007  | Kang et al.    | D572,682 S   | 7/2008  | Won et al.               |
| D536,677 S            | 2/2007  | Kim et al.     | D573,118 S   | 7/2008  | Yang et al.              |
| D537,072 S            | 2/2007  | Kim et al.     | D573,559 S   | 7/2008  | Kim et al.               |
| D537,079 S            | 2/2007  | Park           | D573,584 S   | 7/2008  | Kim                      |
| D539,242 S            | 3/2007  | Lee et al.     | D575,247 S   | 8/2008  | Lee                      |
| D539,281 S            | 3/2007  | Kim et al.     | D576,622 S   | 9/2008  | Park                     |
| D539,767 S            | 4/2007  | Kang et al.    | D579,003 S   | 10/2008 | Kim et al.               |
| D540,277 S            | 4/2007  | Kim et al.     | D579,889 S   | 11/2008 | Noh                      |
| D540,780 S            | 4/2007  | Kim            | D579,915 S   | 11/2008 | Yeo                      |
| D541,236 S            | 4/2007  | Kim et al.     | D582,365 S   | 12/2008 | Yang et al.              |
| D541,763 S            | 5/2007  | Kim            | D582,366 S   | 12/2008 | Yang et al.              |
| D541,766 S            | 5/2007  | Kita           | D582,867 S   | 12/2008 | Song et al.              |
| D541,774 S            | 5/2007  | Kita           | D583,801 S   | 12/2008 | Son et al.               |
| D541,775 S            | 5/2007  | Kita           | D584,258 S   | 1/2009  | Yang et al.              |
| D542,746 S            | 5/2007  | Kim            | D584,286 S   | 1/2009  | Kim                      |
| D542,747 S            | 5/2007  | Kim et al.     | D584,288 S   | 1/2009  | Kim                      |
| D542,748 S            | 5/2007  | Kim et al.     | D584,309 S   | 1/2009  | Kim et al.               |
| D542,749 S            | 5/2007  | Kim et al.     | D584,310 S   | 1/2009  | Kim et al.               |
| D543,163 S            | 5/2007  | Yang et al.    | D584,729 S   | 1/2009  | Kim et al.               |
| D543,164 S            | 5/2007  | Yang et al.    | D586,781 S   | 2/2009  | Kim                      |
| D544,849 S            | 6/2007  | Yang et al.    | D586,782 S   | 2/2009  | Kim                      |
| D545,300 S            | 6/2007  | Hong et al.    | D586,785 S   | 2/2009  | Kim                      |
| D545,312 S            | 6/2007  | Kim            | D586,811 S   | 2/2009  | Kim et al.               |
| D545,313 S            | 6/2007  | Kim            | D587,237 S   | 2/2009  | Son et al.               |
| D545,314 S            | 6/2007  | Kim            | D587,712 S   | 3/2009  | Park et al.              |
| D545,315 S            | 6/2007  | Kim            | D588,103 S   | 3/2009  | Lee et al.               |
| D545,316 S            | 6/2007  | Kim            | D588,104 S   | 3/2009  | Lee et al.               |
| D545,776 S            | 7/2007  | Kwon           | D588,117 S   | 3/2009  | Arai                     |
| D545,778 S            | 7/2007  | Isshiki        | D588,576 S   | 3/2009  | Son et al.               |
| D545,820 S            | 7/2007  | Won et al.     | D591,269 S   | 4/2009  | Kim et al.               |
| D546,331 S            | 7/2007  | Kim            | D592,179 S   | 5/2009  | Ichinose et al.          |
| D547,276 S            | 7/2007  | Yang et al.    | D592,621 S   | 5/2009  | Han                      |
| D547,313 S            | 7/2007  | Kim            | D593,068 S   | 5/2009  | Kim et al.               |
| D548,205 S            | 8/2007  | Kim et al.     | D593,069 S   | 5/2009  | Son et al.               |
| D548,206 S            | 8/2007  | Han            | D593,974 S   | 6/2009  | Yang et al.              |
| D548,222 S            | 8/2007  | Kim            | D597,041 S   | 7/2009  | Cho et al.               |
| D548,708 S            | 8/2007  | Park et al.    | D597,977 S   | 8/2009  | Won et al.               |
| D551,186 S            | 9/2007  | Yang et al.    | D597,978 S   | 8/2009  | Won et al.               |
| D551,194 S            | 9/2007  | Kim et al.     | D598,899 S   | 8/2009  | Tkachuk                  |
| D551,636 S            | 9/2007  | Kang et al.    | D601,104 S   | 9/2009  | Kim                      |
| D551,655 S            | 9/2007  | Kim            | D603,816 S   | 11/2009 | Kim et al.               |
| D551,665 S            | 9/2007  | Tom et al.     | D603,817 S   | 11/2009 | Kim et al.               |
| D552,090 S            | 10/2007 | Kita           | D605,148 S   | 12/2009 | Boo et al.               |
| D552,509 S            | 10/2007 | Walkup et al.  | D605,149 S   | 12/2009 | Kim et al.               |
| D553,108 S            | 10/2007 | Won et al.     | D605,160 S   | 12/2009 | Eaton                    |
| D554,601 S            | 11/2007 | Won et al.     | D607,426 S   | 1/2010  | Yang                     |
| D556,159 S            | 11/2007 | Park et al.    | D608,311 S   | 1/2010  | Lee et al.               |
| D556,160 S            | 11/2007 | Lee et al.     | D608,314 S   | 1/2010  | Boo et al.               |
| D556,709 S            | 12/2007 | Kim et al.     | D609,658 S   | 2/2010  | Kim et al.               |
| D556,755 S            | 12/2007 | Lee et al.     | D610,143 S   | 2/2010  | Park et al.              |
| D556,756 S            | 12/2007 | Kataoka et al. | D614,596 S   | 4/2010  | Won et al.               |
| D556,757 S            | 12/2007 | Kim et al.     | D615,509 S   | 5/2010  | Song et al.              |
| D558,201 S            | 12/2007 | Park et al.    | D615,510 S   | 5/2010  | Won et al.               |
| D558,696 S            | 1/2008  | Park et al.    | D615,511 S   | 5/2010  | Shin et al.              |
| D560,209 S            | 1/2008  | Kim et al.     | D615,938 S   | 5/2010  | Song et al.              |
| D560,211 S            | 1/2008  | Kim et al.     | D615,963 S   | 5/2010  | Cho et al.               |
| D560,686 S            | 1/2008  | Kim            | D616,842 S   | 6/2010  | Kim                      |
| D561,130 S            | 2/2008  | Won et al.     | D616,884 S   | 6/2010  | Kim et al.               |
| D561,134 S            | 2/2008  | Kim et al.     | D619,979 S   | 7/2010  | Lee et al.               |
| D561,135 S            | 2/2008  | Won et al.     | D620,461 S   | 7/2010  | Han et al.               |
| D561,136 S            | 2/2008  | Won et al.     | D620,901 S   | 8/2010  | Won et al.               |
| D561,141 S            | 2/2008  | Cho et al.     | D620,902 S   | 8/2010  | Kim et al.               |
| D561,142 S            | 2/2008  | Oh             | D620,903 S   | 8/2010  | Song et al.              |
| D561,161 S            | 2/2008  | Cho            | D622,235 S   | 8/2010  | Lee et al.               |
| D562,788 S            | 2/2008  | Asanuma et al. | D624,047 S   | 9/2010  | Kim                      |
| 7,336,478 B2          | 2/2008  | Jang           | D624,048 S   | 9/2010  | Kim                      |
| D564,472 S            | 3/2008  | Won et al.     | D625,278 S   | 10/2010 | Kim et al.               |
| D565,521 S            | 4/2008  | Yang et al.    | D626,101 S   | 10/2010 | Kim et al.               |
| D567,198 S            | 4/2008  | Yang et al.    | D628,556 S   | 12/2010 | Lee et al.               |
| D567,199 S            | 4/2008  | Kim et al.     | D629,388 S   | 12/2010 | Son et al.               |
| D567,203 S            | 4/2008  | Park           | D630,209 S   | 1/2011  | Lee et al.               |
| D569,818 S            | 5/2008  | Kim et al.     | D631,868 S   | 2/2011  | Chung                    |
| D570,333 S            | 6/2008  | Cho            | D632,291 S   | 2/2011  | Park                     |
| D570,828 S            | 6/2008  | Cho            | D634,302 S   | 3/2011  | Chung et al.             |
| D570,841 S            | 6/2008  | Kim et al.     | D634,323 S   | 3/2011  | Park et al.              |
| D571,785 S            | 6/2008  | Kim            | D634,745 S   | 3/2011  | Park et al.              |
| D571,786 S            | 6/2008  | Cho            | D635,140 S * | 3/2011  | Tsai et al. .... D14/374 |
| D572,680 S            | 7/2008  | Lee et al.     | D635,569 S   | 4/2011  | Park                     |
|                       |         |                | D635,975 S   | 4/2011  | Seo et al.               |

# US D682,269 S

Page 3

D635,976 S 4/2011 Lee et al.  
D657,789 S 4/2012 Lee et al.  
D657,790 S 4/2012 Lee et al.  
D657,791 S 4/2012 Kim et al.  
D657,792 S 4/2012 Lee et al.  
D658,176 S 4/2012 Lee et al.

## FOREIGN PATENT DOCUMENTS

KR 300195400000 3/1997  
KR 3003049270000 8/2002  
KR 3003832320000 6/2005  
KR 3003879930000 8/2005  
KR 3004144010000 5/2006  
KR 3004230930000 8/2006  
KR 3005011860000 8/2006  
KR 3004261490000 9/2006  
KR 3004261500000 9/2006  
KR 3004230920001 10/2006  
KR 3004293530000 11/2006  
KR 3004293530001 11/2006  
KR 3004339210000 12/2006  
KR 3004388560001 2/2007  
KR 3004388560002 3/2007  
KR 3004745330000 1/2008  
KR 3004772070000 1/2008  
KR 3004808250000 3/2008  
KR 3004809710000 3/2008

KR 3004745330001 4/2008  
KR 3004873790000 4/2008  
KR 3004873800000 4/2008  
KR 3004873810000 4/2008  
KR 3005845050000 1/2011  
KR 3006046450000 7/2011  
KR 3006046460000 7/2011  
KR 3006076840000 8/2011  
KR 3006077890000 8/2011  
KR 3006077900000 8/2011  
KR 3006080880000 8/2011  
KR 3006084850000 8/2011

## OTHER PUBLICATIONS

U.S. Appl. No. 29/393,889, Applicant: Kim, et al., filed Jun. 10, 2011  
entitled Monitor for Computer.  
U.S. Appl. No. 29/393,886, Applicant: Lee, et al., filed Jun. 10, 2011  
entitled Monitor for Computer.  
U.S. Appl. No. 29/397,053, Applicant: Lee, et al., filed Jul. 11, 2011,  
entitled Monitor for Computer.  
U.S. Appl. No. 29/397,070, Applicant: Naoto Fukusawa, filed Jul. 11,  
2011, entitled Monitor-Attached Computer.  
U.S. Appl. No. 29/419,916, Applicant: Lee, et al., filed May 2, 2012,  
entitled Monitor.

\* cited by examiner

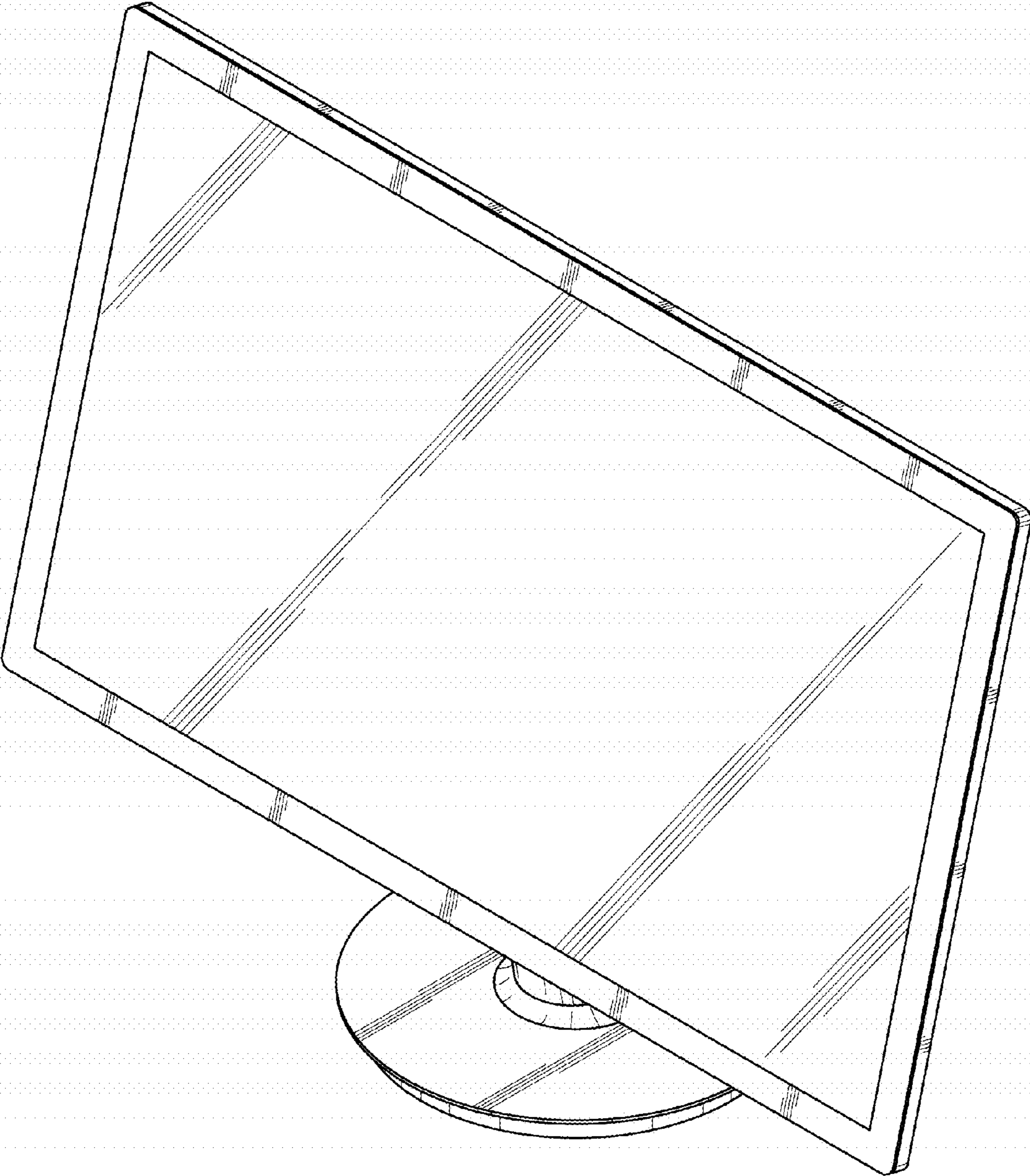


FIG.1

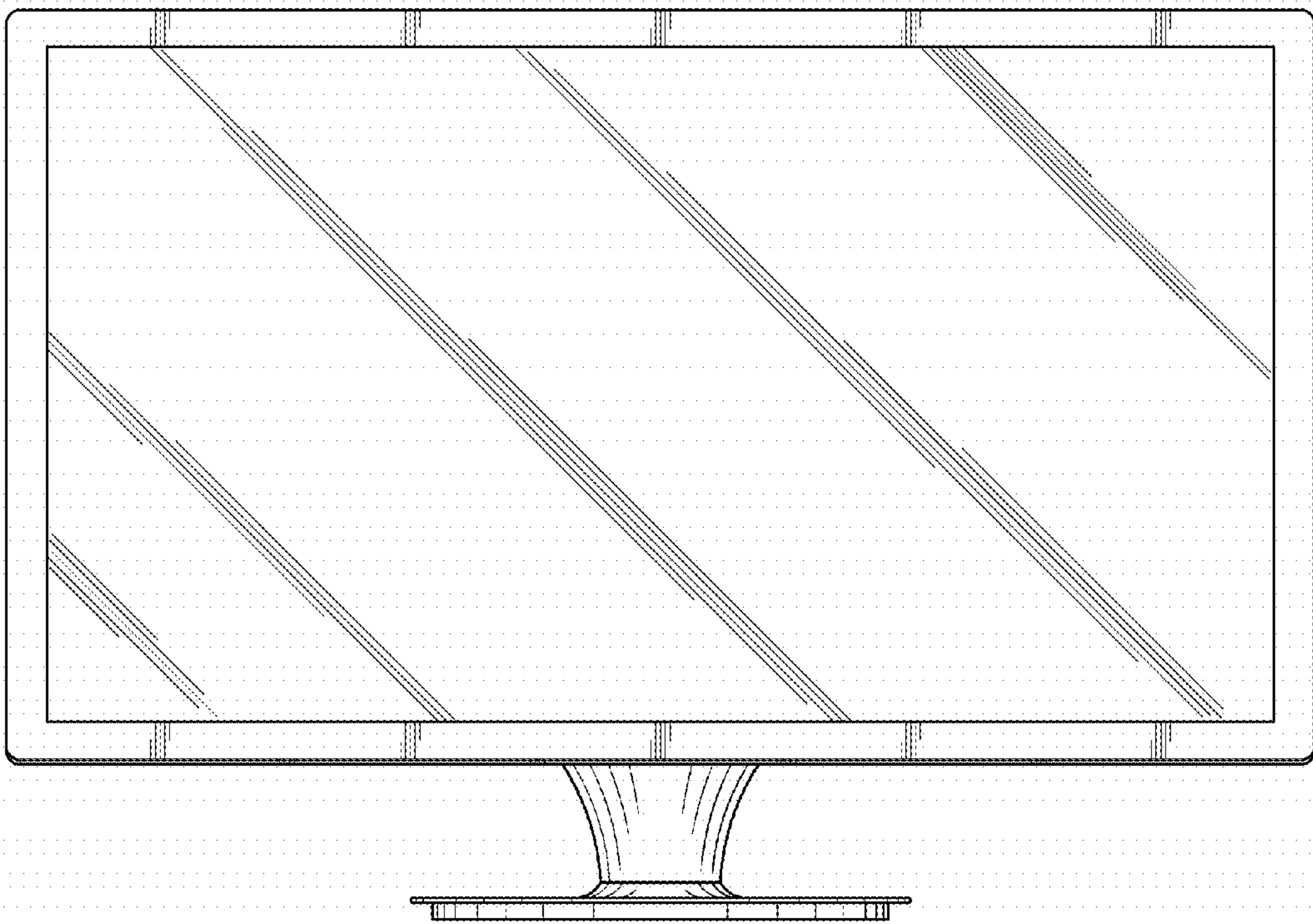


FIG.2

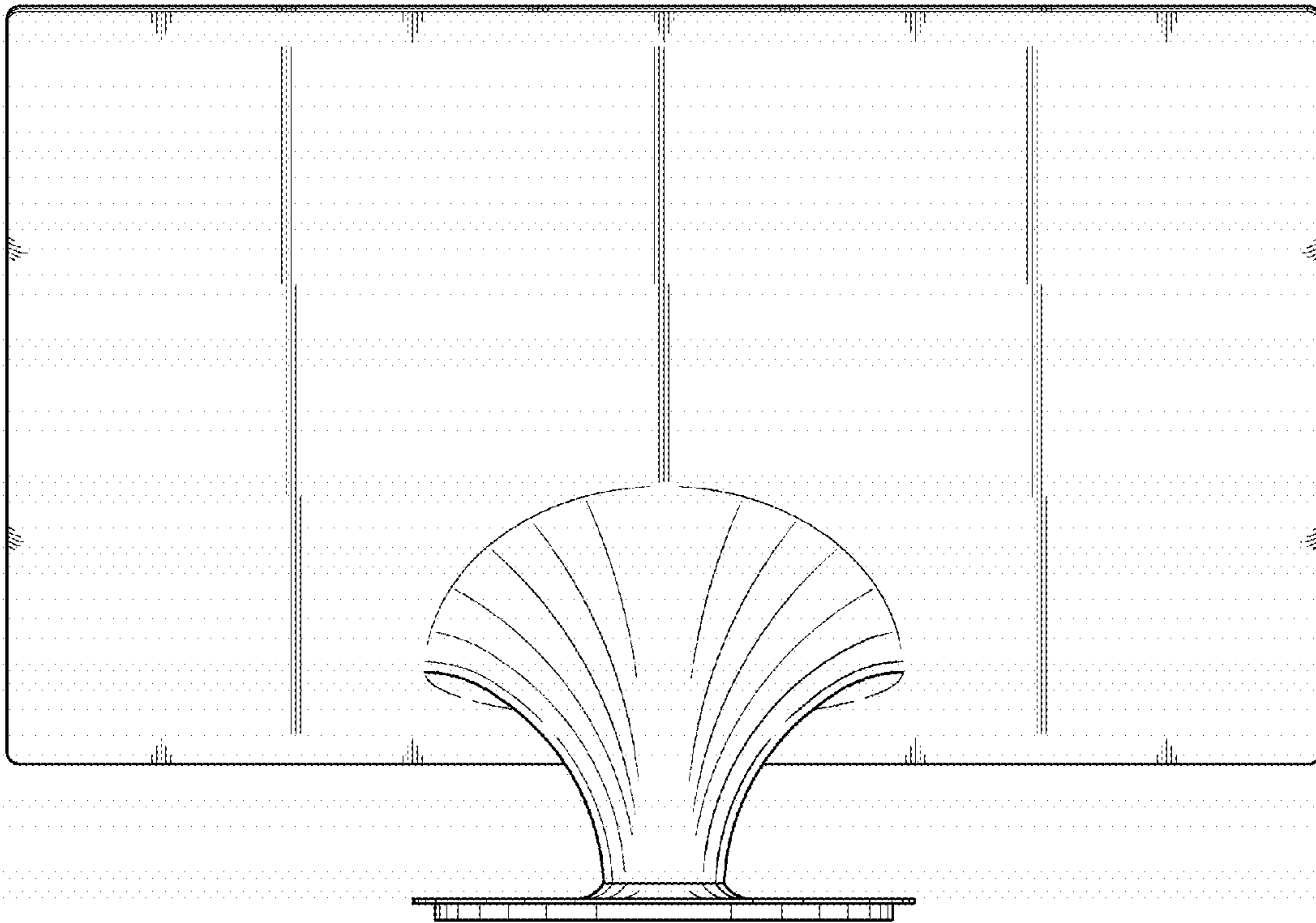


FIG.3

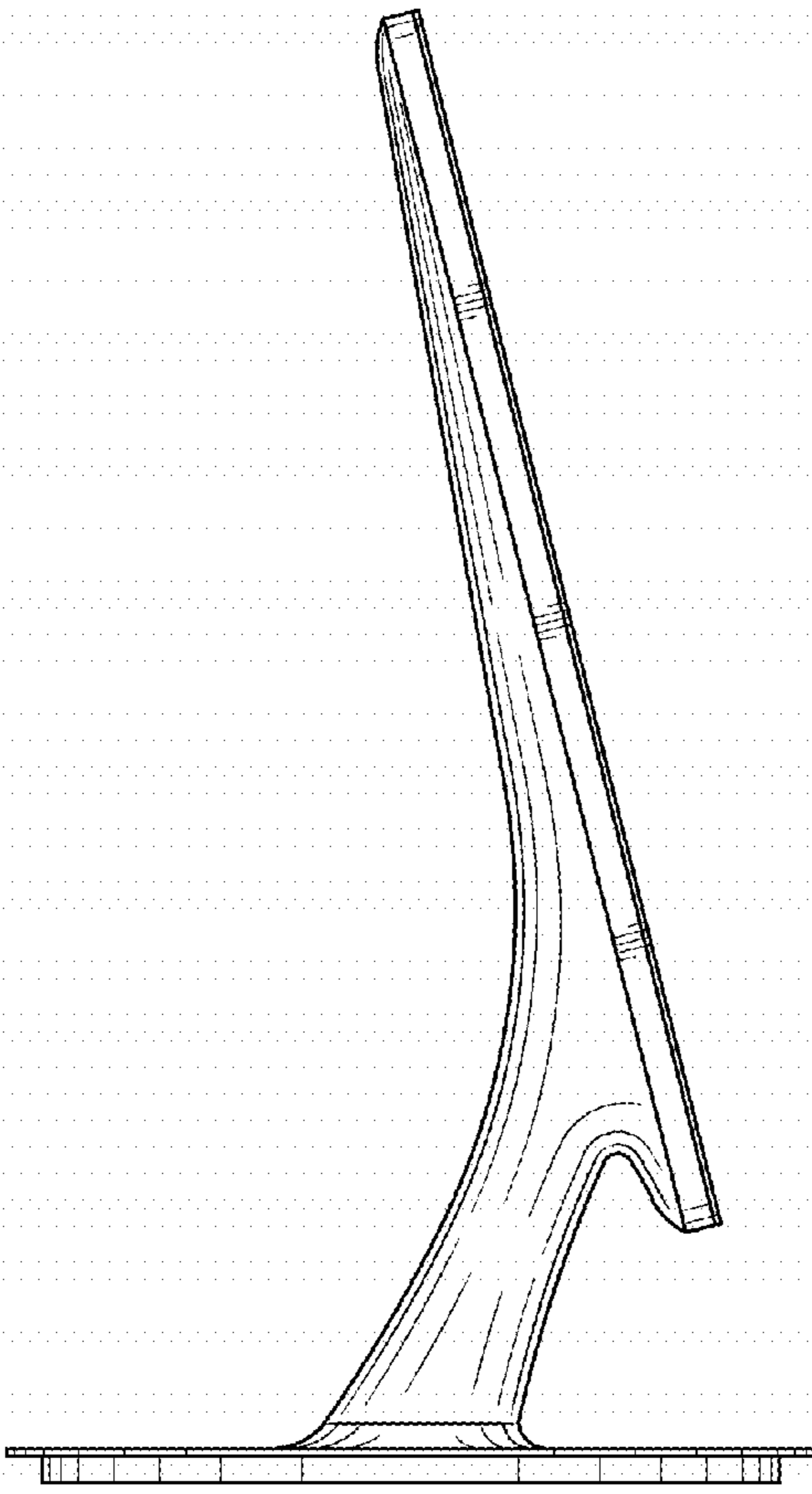


FIG. 4

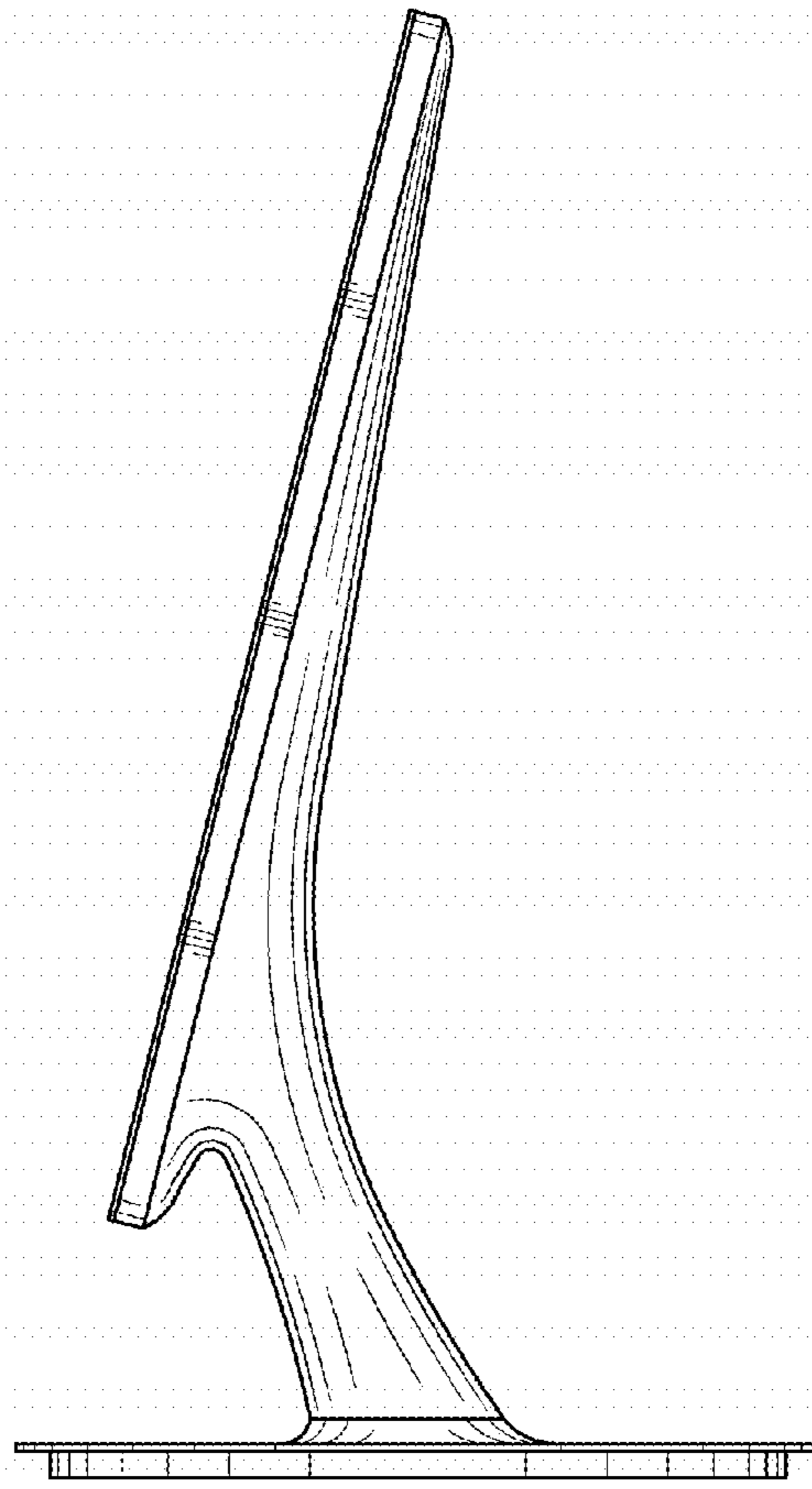


FIG. 5

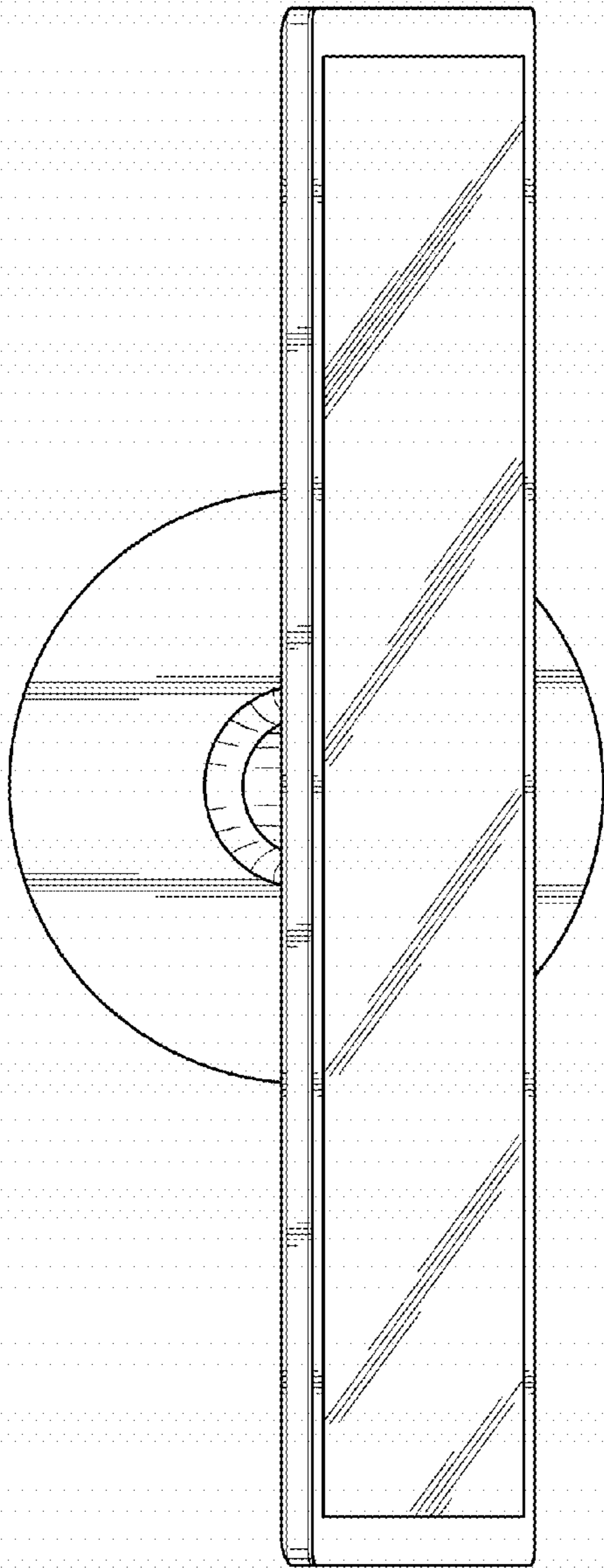


FIG. 6

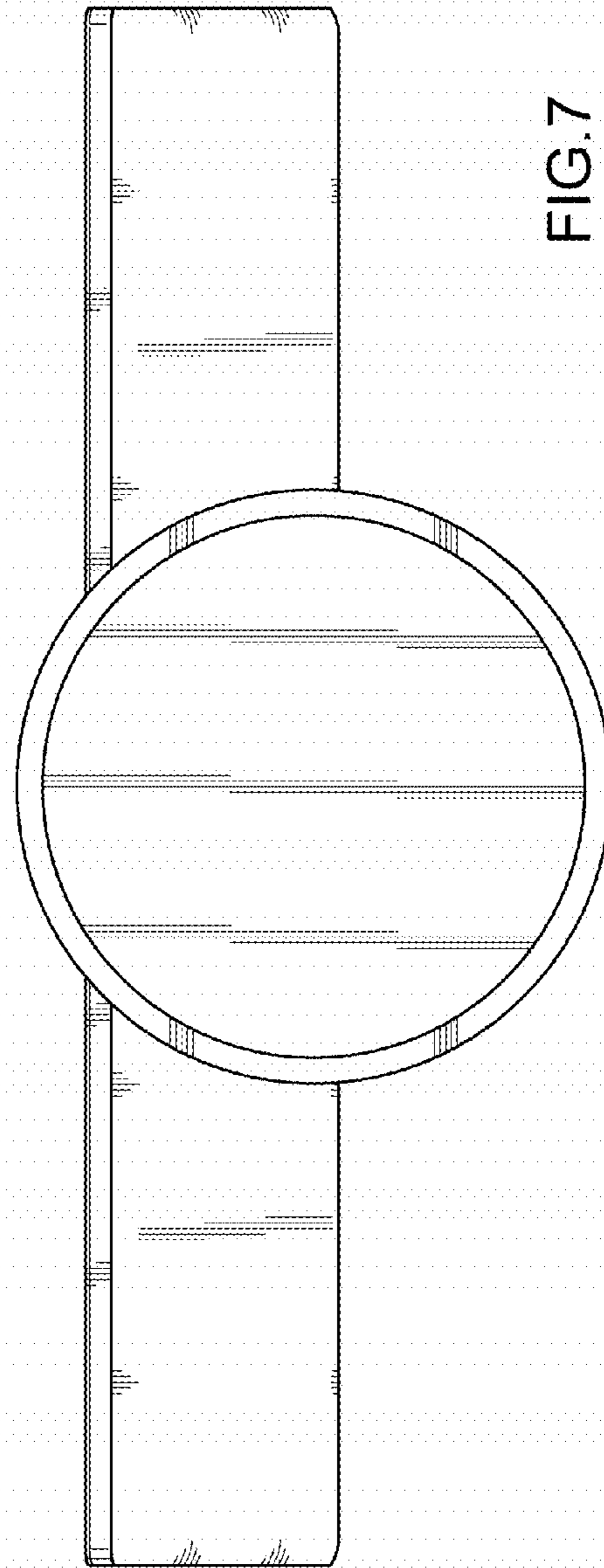


FIG. 7