



US00D682268S

(12) **United States Design Patent**  
**Ricks et al.**

(10) **Patent No.:** **US D682,268 S**

(45) **Date of Patent:** **\*\* May 14, 2013**

(54) **SINGLE EYE DISPLAY**

(75) Inventors: **Theodore K. Ricks**, Rochester, NY  
(US); **Tyler Porter**, Rochester, NY (US)

(73) Assignee: **Vuzix Corporation**, Rochester, NY (US)

(\*\*) Term: **14 Years**

(21) Appl. No.: **29/418,959**

(22) Filed: **Apr. 24, 2012**

(51) **LOC (9) Cl.** ..... **14-02**

(52) **U.S. Cl.**  
USPC ..... **D14/372; D16/330**

(58) **Field of Classification Search** ..... D14/356-358,  
D14/361, 370, 372, 385, 388, 432-439, 447,  
D14/458, 474, 480.1, 483, 484.1, 217, 239,  
D14/299; D8/349, 354, 395; D16/100, 330;  
345/7-9; 351/158

See application file for complete search history.

(56) **References Cited**

**U.S. PATENT DOCUMENTS**

D371,549 S *	7/1996	Ronzani et al.	.....	D14/372
D402,651 S *	12/1998	Depay et al.	.....	D14/372
D559,250 S *	1/2008	Pombo	.....	D14/372
D578,152 S *	10/2008	Oas	.....	D16/330
D591,326 S *	4/2009	Travers et al.	.....	D16/300
D609,236 S *	2/2010	Matsumoto et al.	.....	D14/372
7,901,072 B1 *	3/2011	Eagan et al.	.....	351/158
8,038,292 B2 *	10/2011	Matsumoto et al.	.....	351/158
D659,136 S *	5/2012	Matsumoto	.....	D14/372

D659,137 S *	5/2012	Matsumoto	.....	D14/372
2006/0203084 A1 *	9/2006	Okazaki et al.	.....	348/46
2010/0156836 A1 *	6/2010	Katayama	.....	345/173
2011/0267321 A1 *	11/2011	Hayakawa	.....	345/204

\* cited by examiner

*Primary Examiner* — Austin Murphy

(74) *Attorney, Agent, or Firm* — Metz Lewis Brodman Must O'Keefe LLC

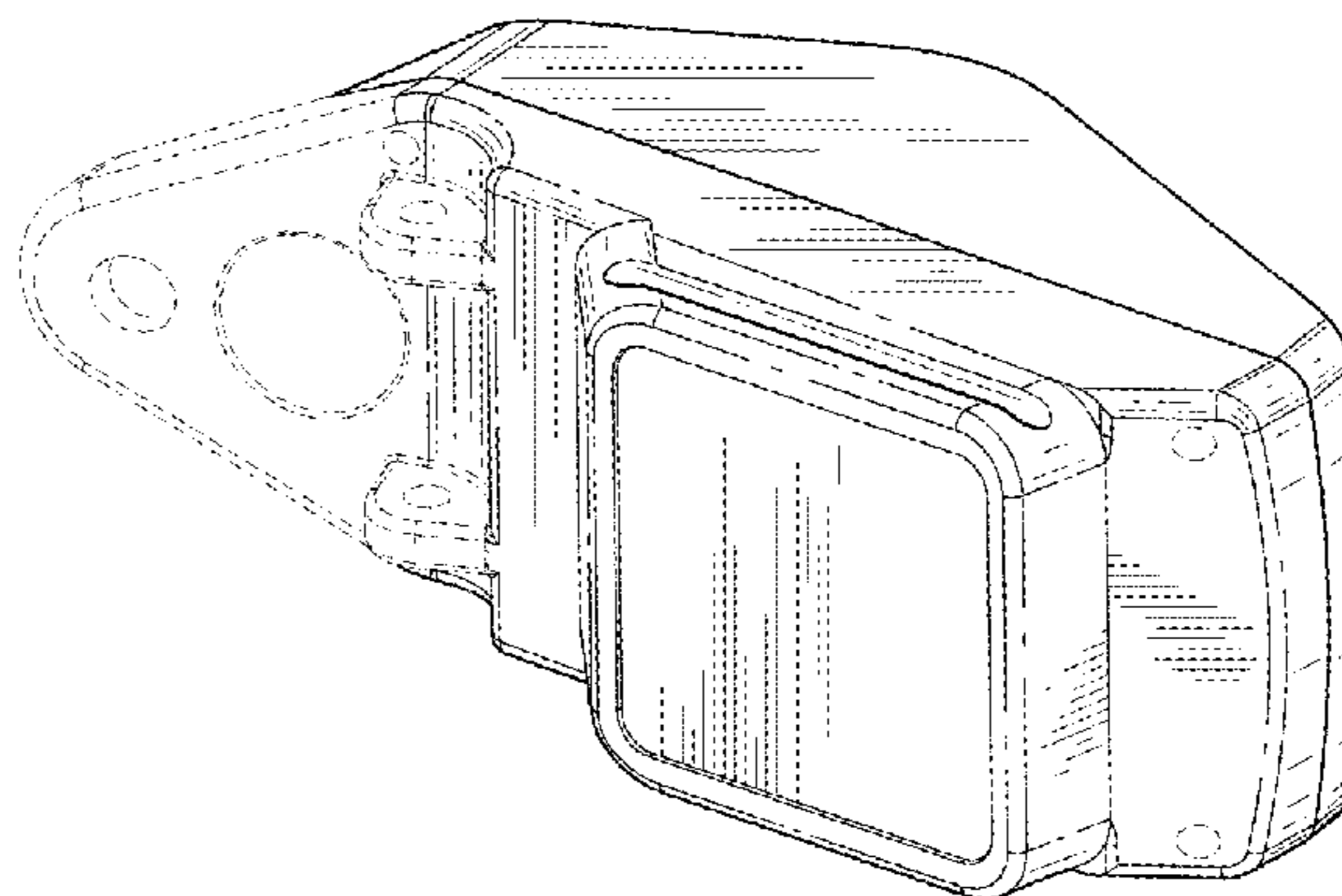
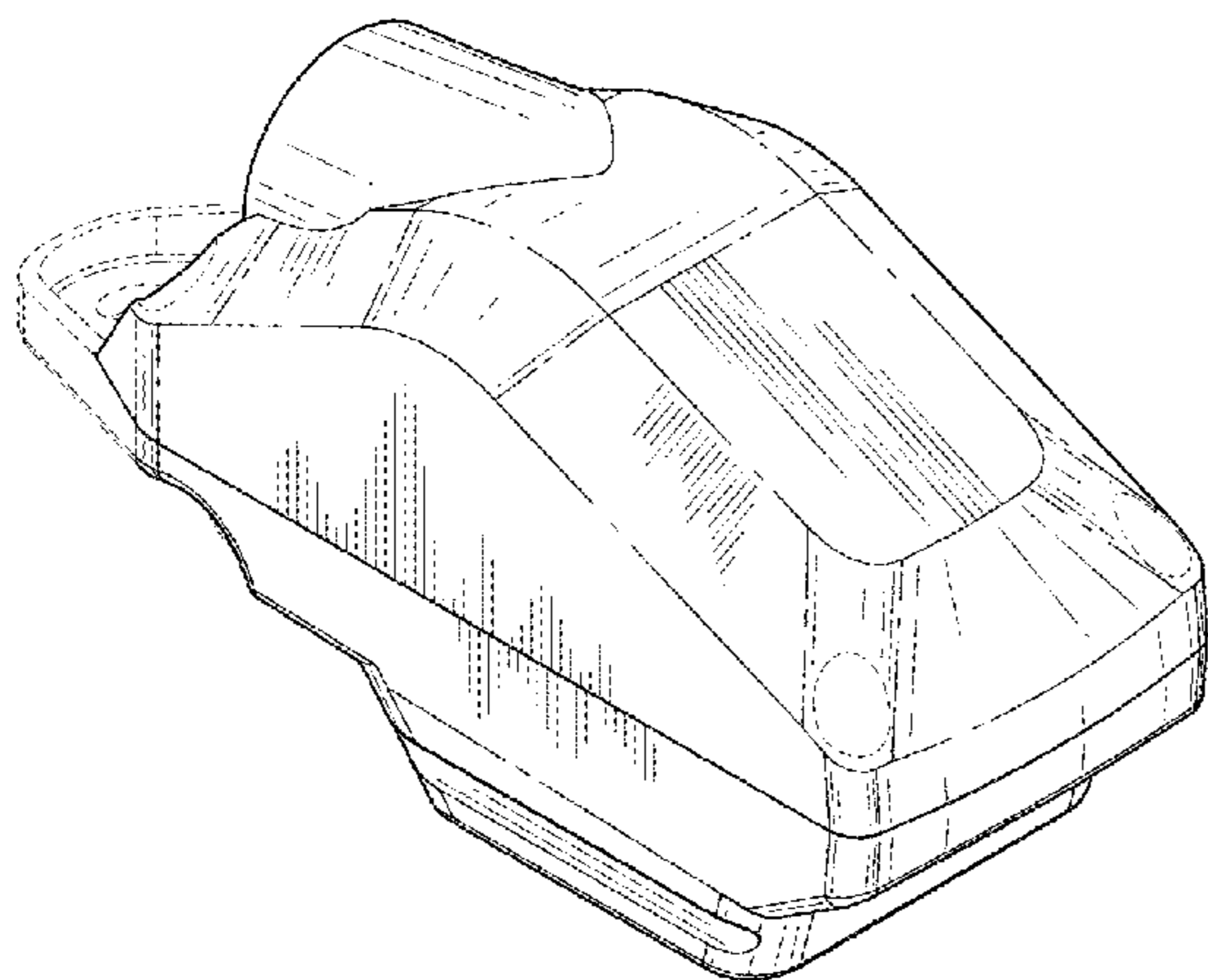
(57) **CLAIM**

The ornamental design for a single eye display, as shown and described herein.

**DESCRIPTION**

FIG. 1 is a top perspective view of a first embodiment of single eye display showing our design;  
FIG. 2 is a front perspective view of the single eye display shown in FIG. 1;  
FIG. 3 is a top plan view of the single eye display shown in FIG. 1;  
FIG. 4 is a rear elevation view of the single eye display shown in FIG. 1;  
FIG. 5 is a front elevation view of the single eye display shown in FIG. 1;  
FIG. 6 is a left side elevation view of the single eye display shown in FIG. 1; and,  
FIG. 7 is a right side elevation view of the single eye display shown in FIG. 1.

**1 Claim, 3 Drawing Sheets**



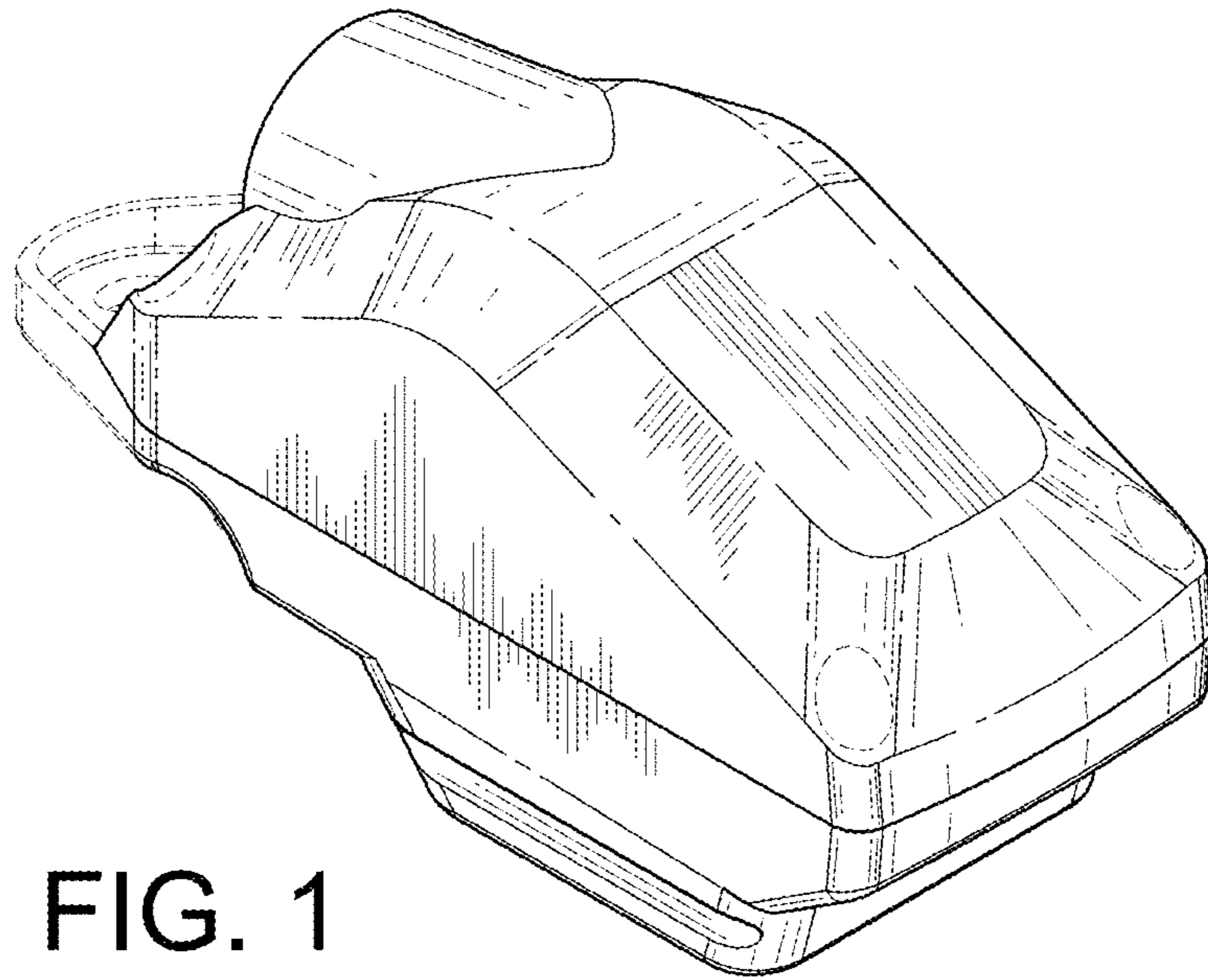


FIG. 1

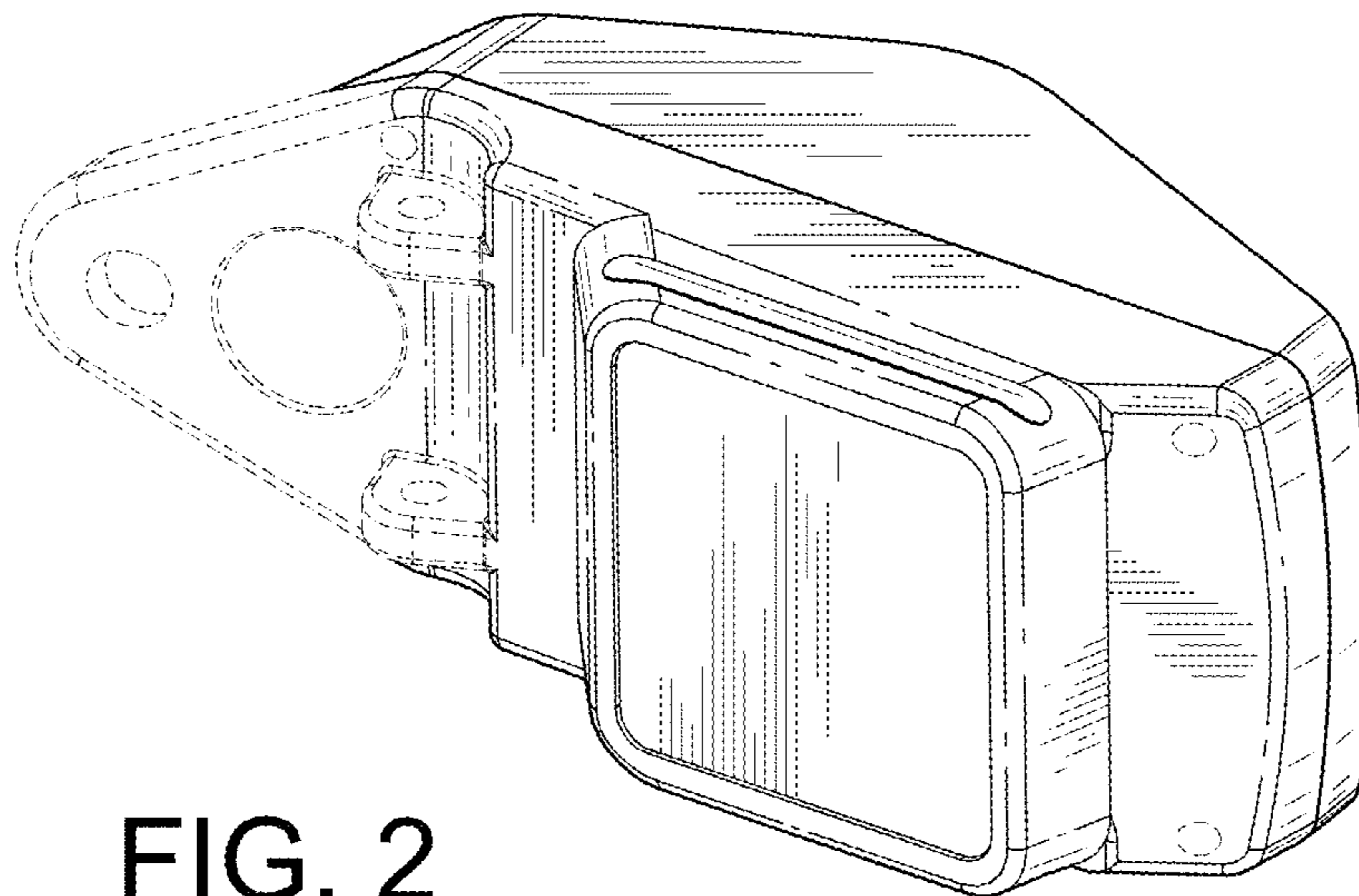


FIG. 2

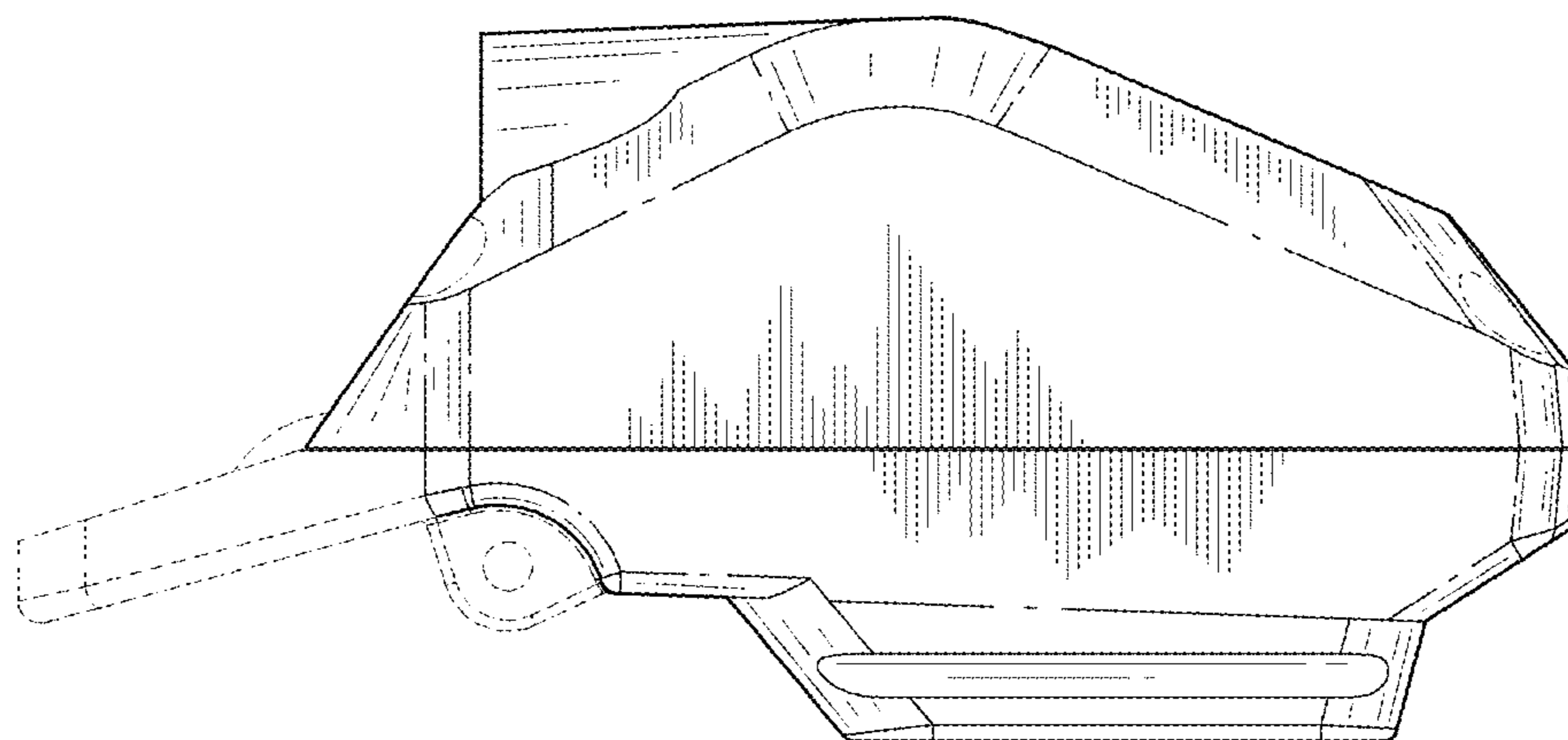


FIG. 3

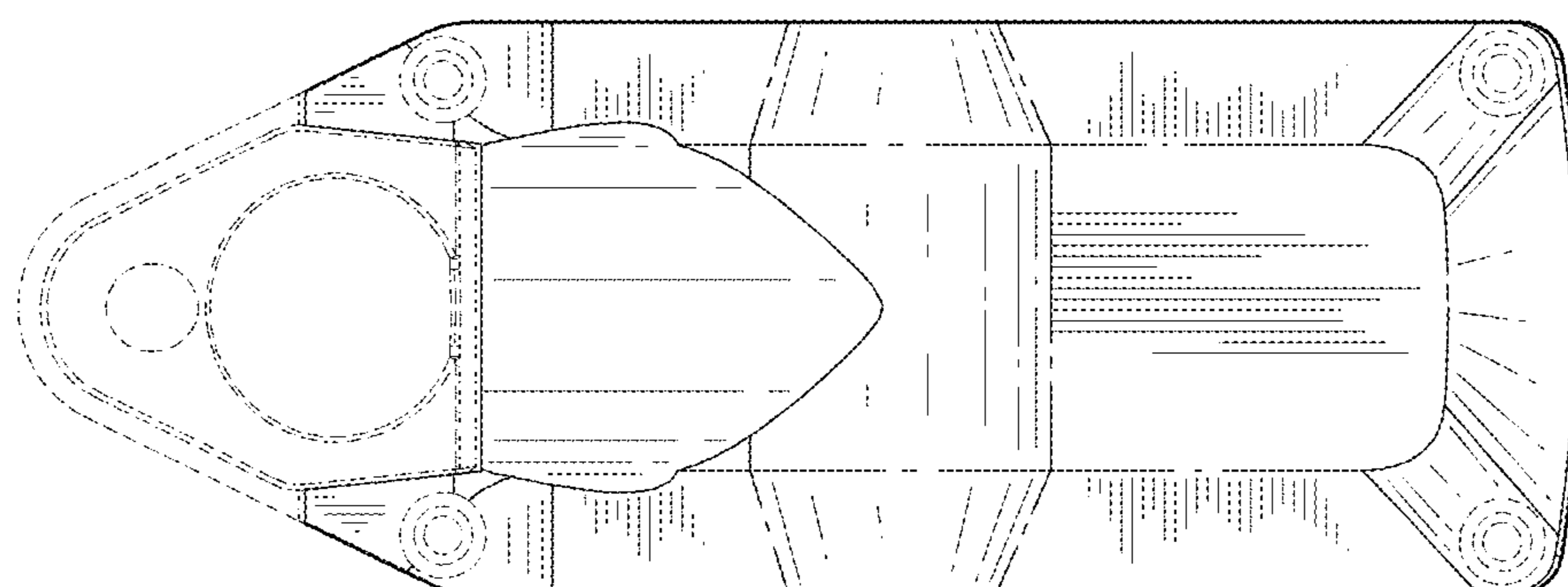


FIG. 4

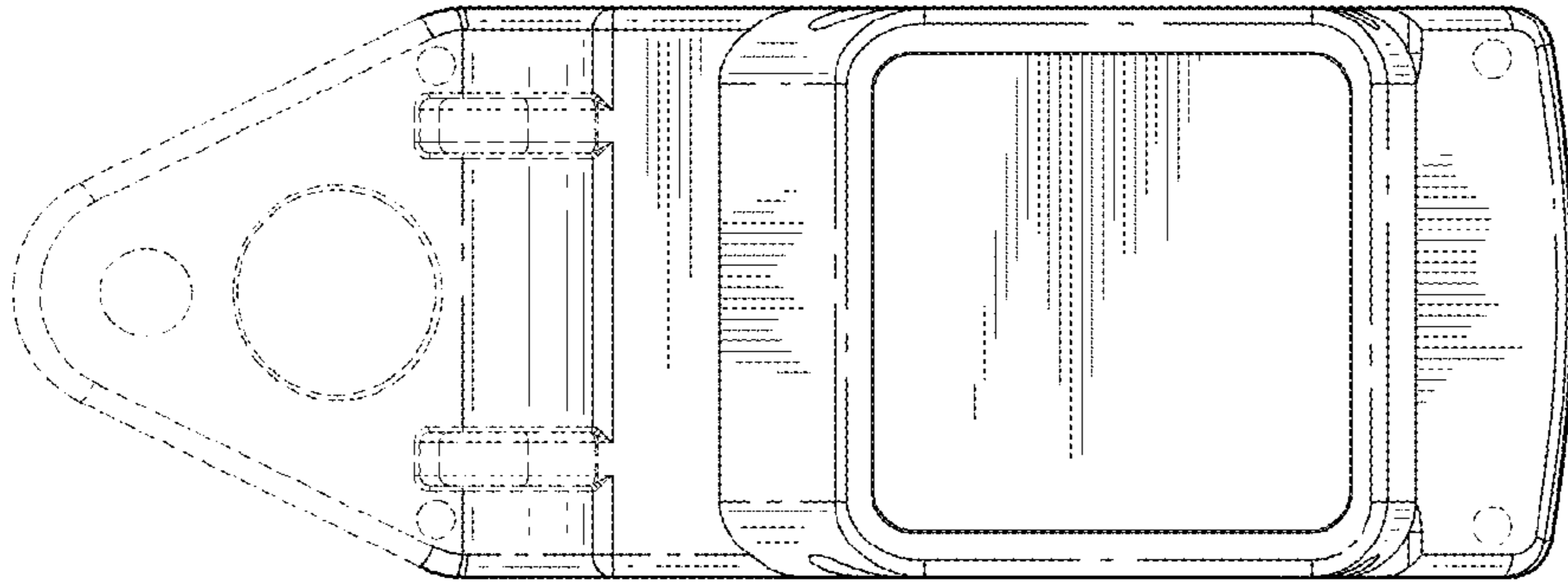


FIG. 5

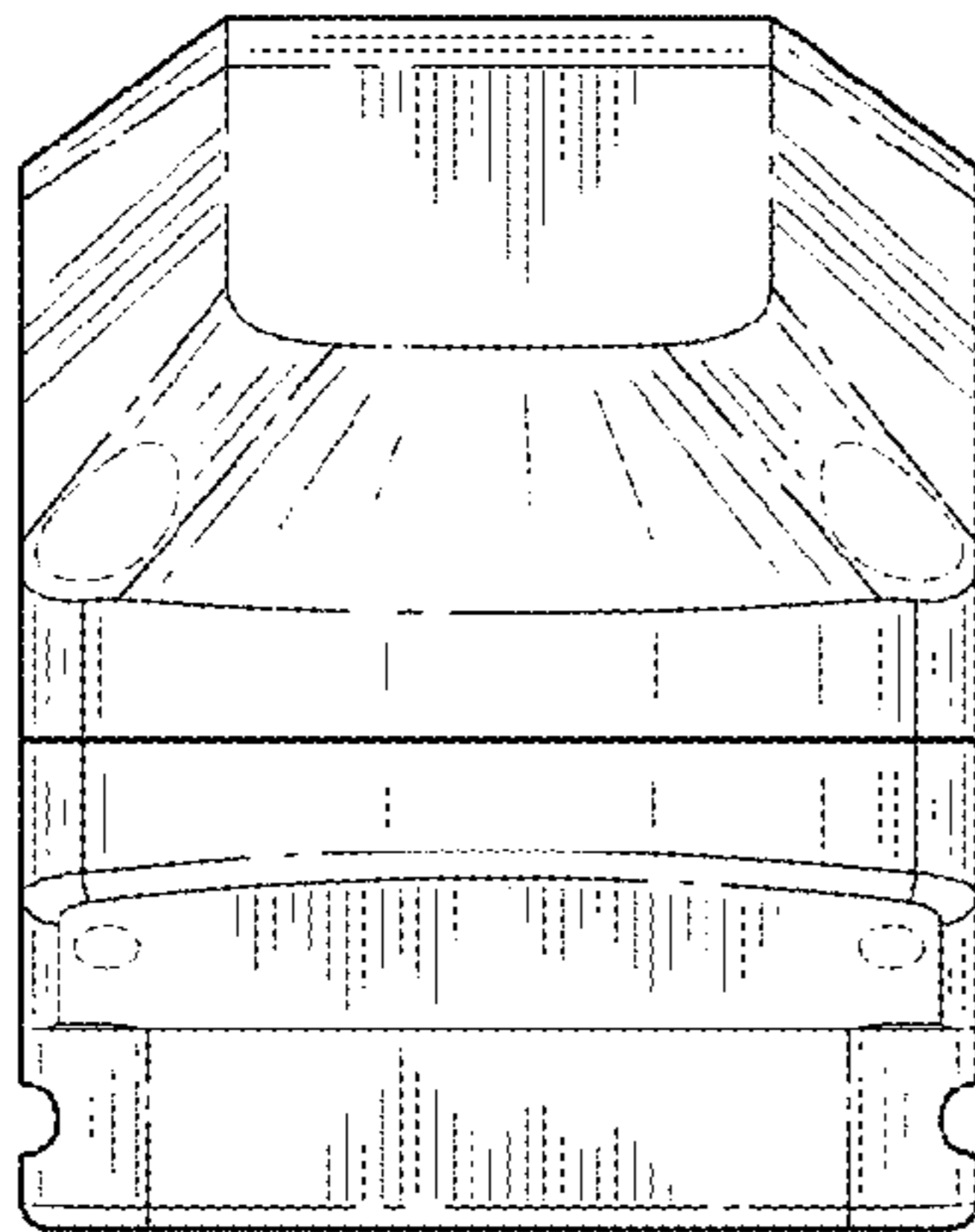


FIG. 6

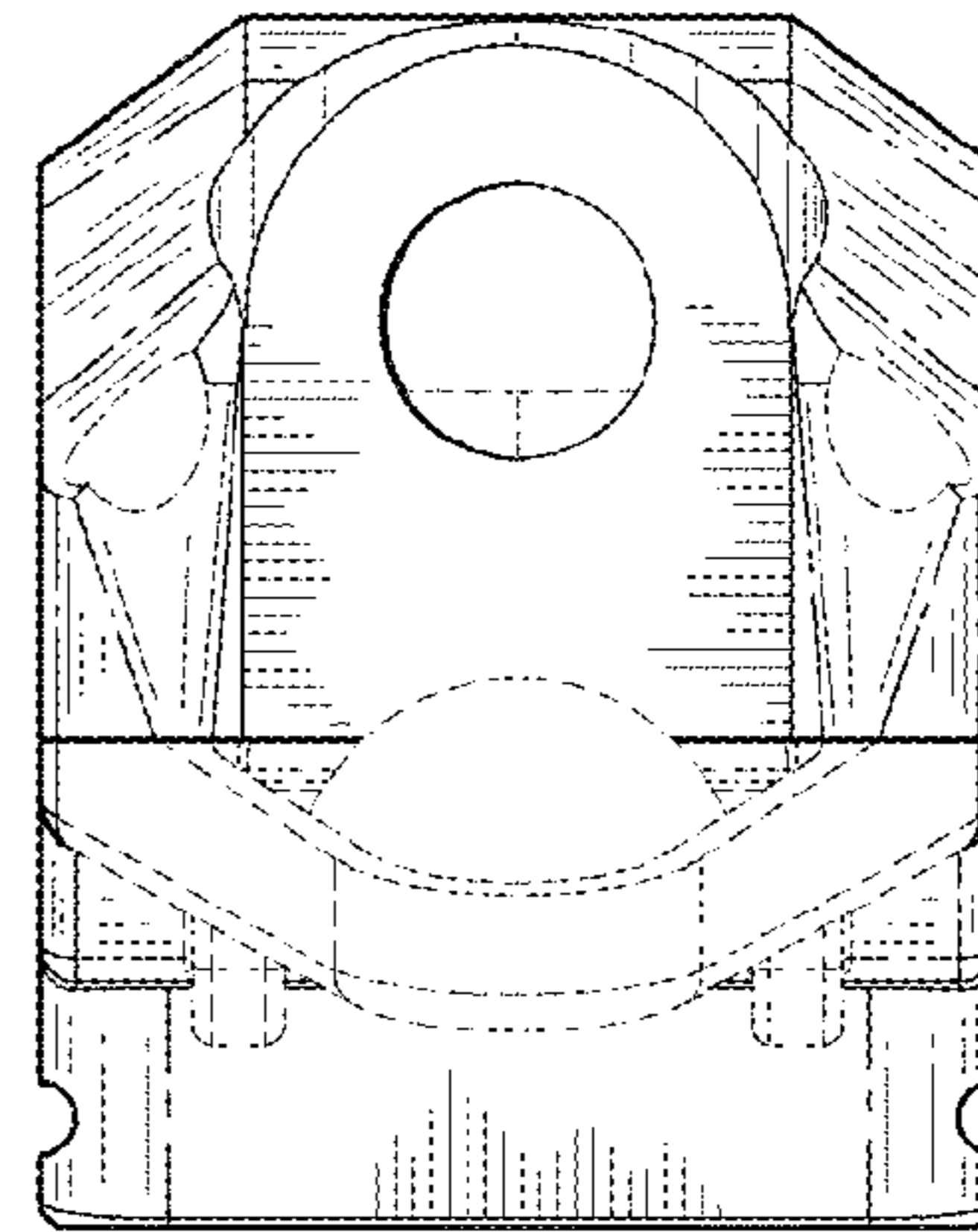


FIG. 7