

US00D682266S

(12) **United States Design Patent**  
**Wu et al.**

(10) **Patent No.:** **US D682,266 S**

(45) **Date of Patent:** **\*\* May 14, 2013**

- (54) **WLAN ADSL DEVICE**
- (75) Inventors: **Chin-Yi Wu**, Taichung (TW);  
**Sheng-Chung Chen**, Hsinchu County (TW)
- (73) Assignee: **Arcadyan Technology Corporation**, Hsinchu (TW)
- (\*\*) Term: **14 Years**
- (21) Appl. No.: **29/392,550**
- (22) Filed: **May 23, 2011**
- (51) **LOC (9) Cl.** ..... **14-02**
- (52) **U.S. Cl.**  
USPC ..... **D14/358; D14/240**
- (58) **Field of Classification Search** ..... D14/300–302, D14/314, 348–370, 383–385, 435, 496, 125, D14/135, 155, 203.1, 203.3, 240–242, 299; D3/273; D9/432; D10/65, 75, 78; D13/103, D13/119, 162, 184, 199; 361/679.31, 679.33–679.45; 312/223.2  
See application file for complete search history.

D510,729 S *	10/2005	Chen et al.	.....	D14/125
D568,315 S *	5/2008	Yano	.....	D14/358
D568,316 S *	5/2008	Yano	.....	D14/358
D574,823 S *	8/2008	Wung	.....	D14/357
D575,801 S *	8/2008	Kusano et al.	.....	D14/496
D638,317 S *	5/2011	Nguyen et al.	.....	D10/65
D644,247 S *	8/2011	Kim et al.	.....	D14/496
D661,670 S *	6/2012	Huang	.....	D14/125

**OTHER PUBLICATIONS**

Arcadyan—AR7502SW—1-port 1×1 11n ADSL2/ADSL2+ Router, [online], [retrieved on Jan. 22, 2013]. Retrieved from the Internet <URL: <http://www.arcadyan.com/contentPage.aspx?type=product-detail&L2id=4&prod2id=1>>.\*

\* cited by examiner

*Primary Examiner* — Karen E Kearney

(74) *Attorney, Agent, or Firm* — Morris Manning & Martin LLP; Tim Tingkang Xia, Esq.

(57) **CLAIM**

The ornamental design for a WLAN ADSL device, as shown and described.

**DESCRIPTION**

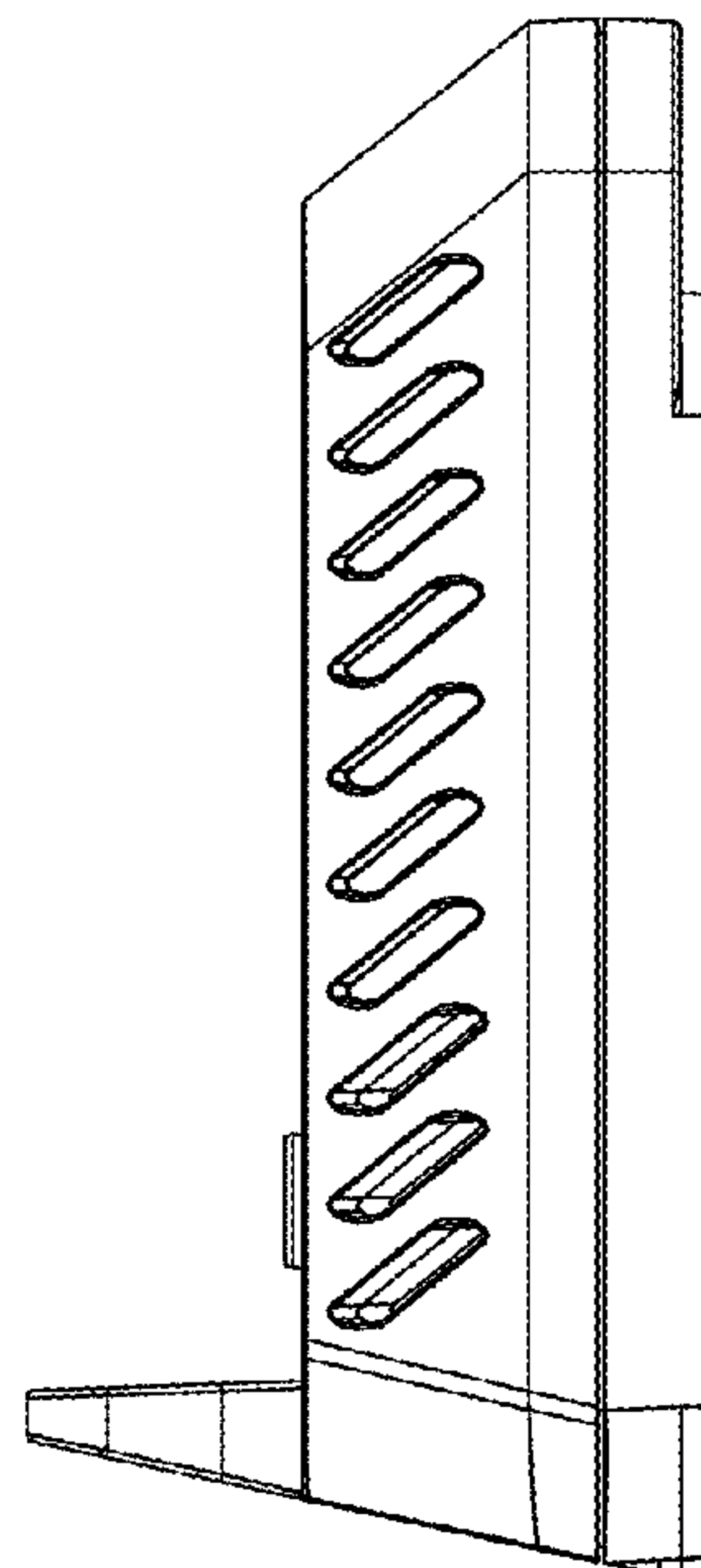
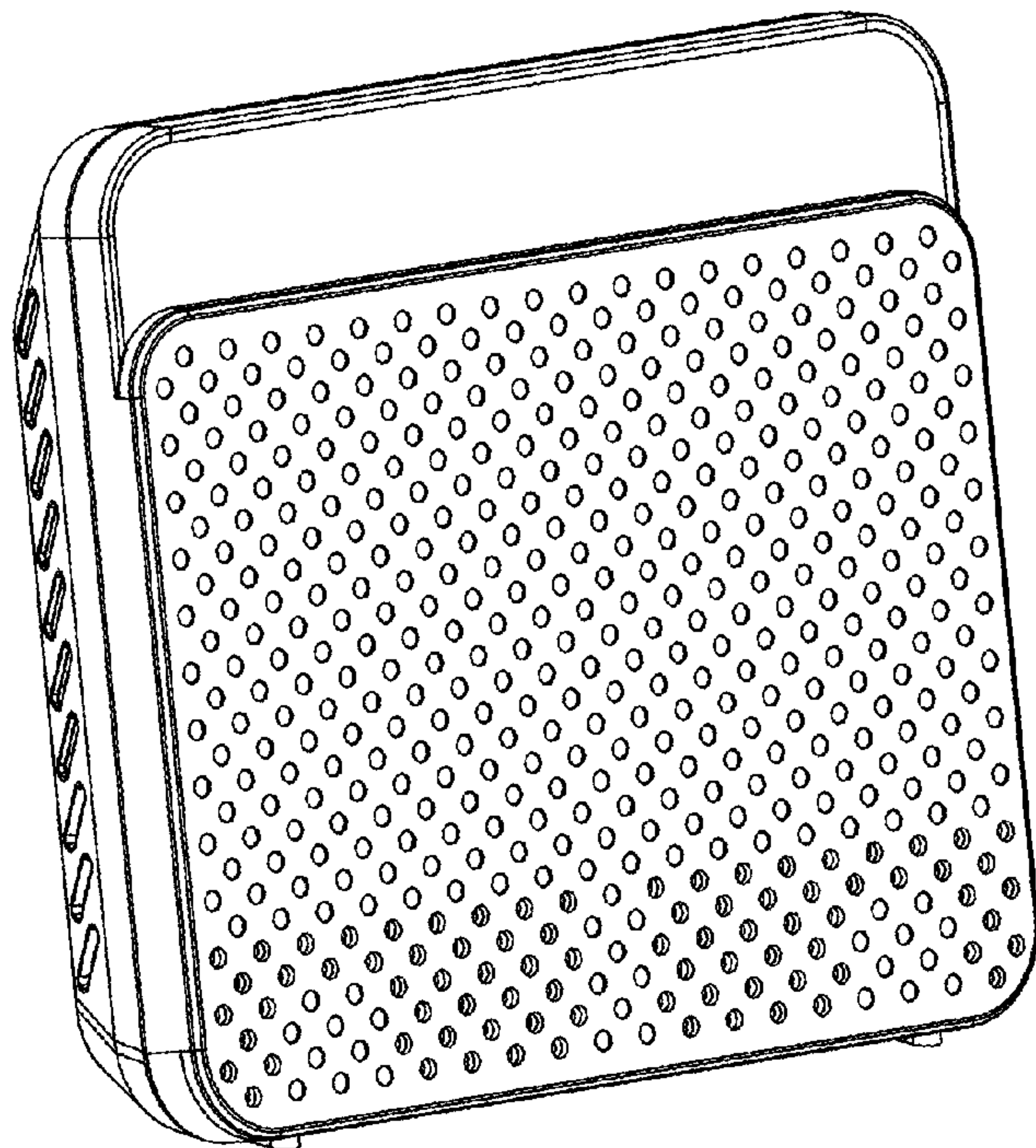
FIG. 1 is a perspective view of a “WLAN ADSL device” showing my new design;  
FIG. 2 is a front elevational view thereof;  
FIG. 3 is a rear elevational view thereof;  
FIG. 4 is a left side elevational view thereof;  
FIG. 5 is a right side elevational view thereof;  
FIG. 6 is a top plan view thereof; and,  
FIG. 7 is a bottom plan view thereof.

**1 Claim, 6 Drawing Sheets**

(56) **References Cited**

**U.S. PATENT DOCUMENTS**

D396,471 S *	7/1998	Kolinen	.....	D14/240
D406,849 S *	3/1999	Tanaka	.....	D14/242
D407,076 S *	3/1999	Renk	.....	D14/301
D420,361 S *	2/2000	Lutz et al.	.....	D14/242
D483,353 S *	12/2003	Hyogo	.....	D14/240
D488,150 S *	4/2004	Chen et al.	.....	D14/242
D493,165 S *	7/2004	Kiple et al.	.....	D14/242
D502,465 S *	3/2005	Laity et al.	.....	D14/242



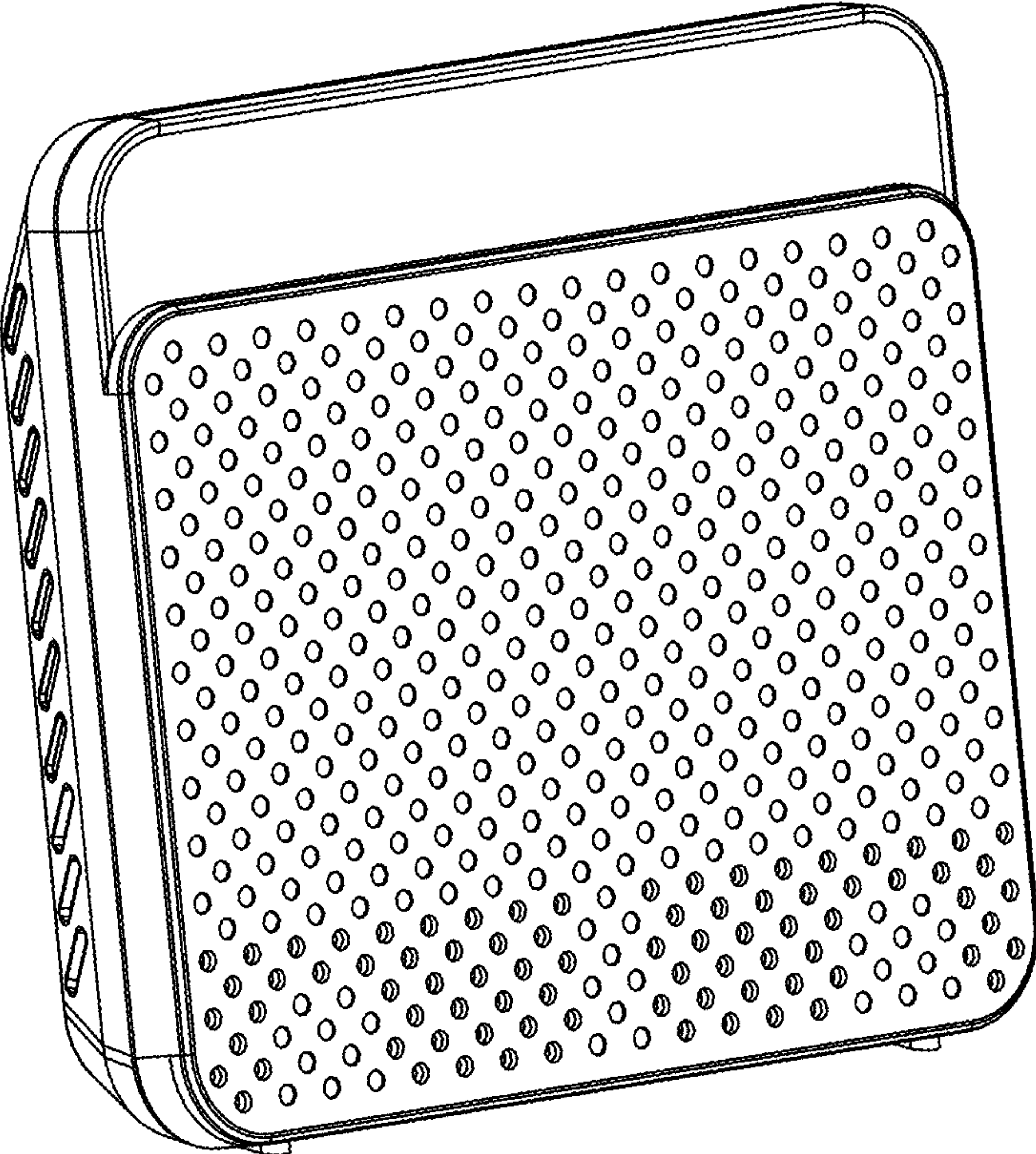


FIG.1

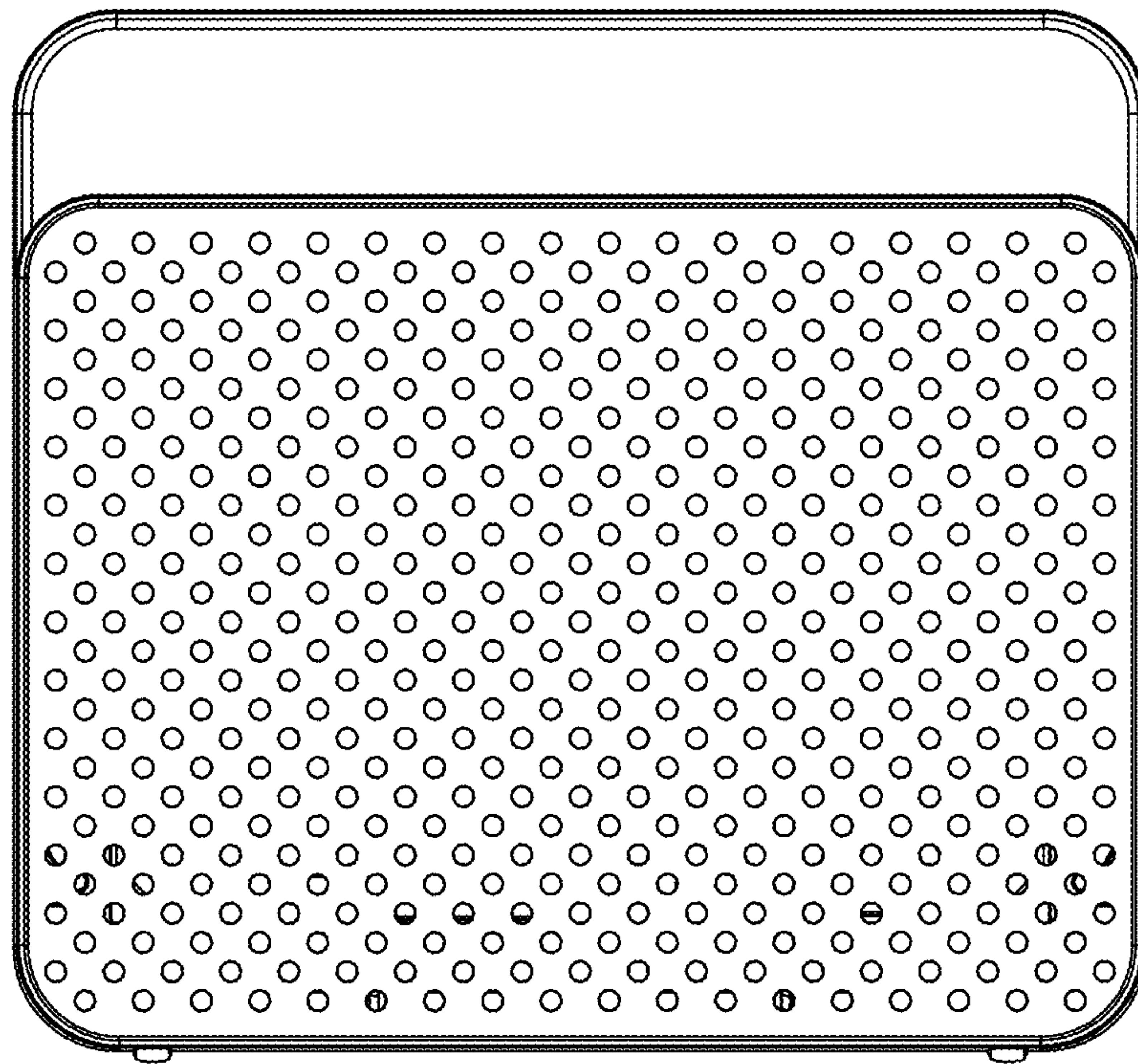


FIG.2



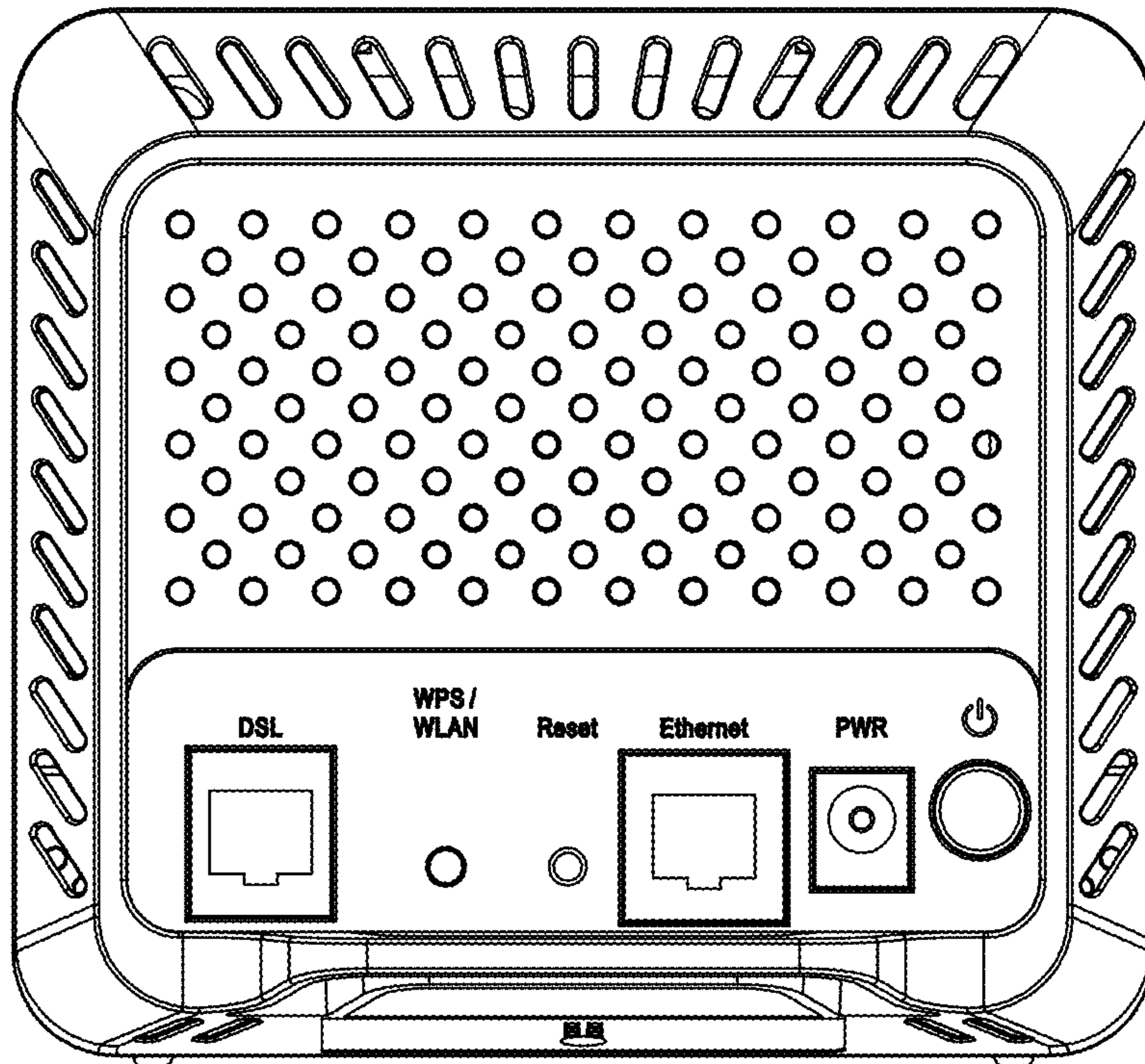


FIG.3

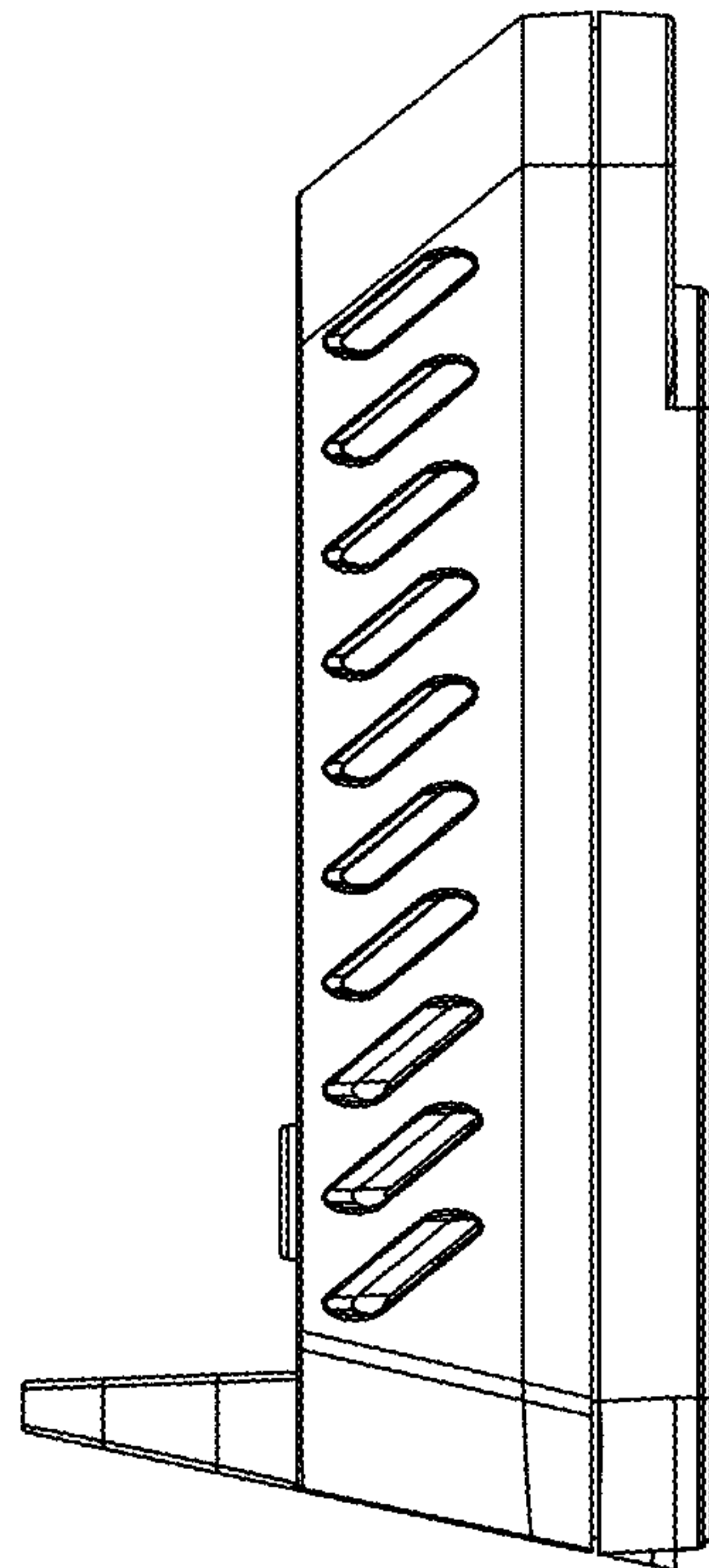


FIG.4

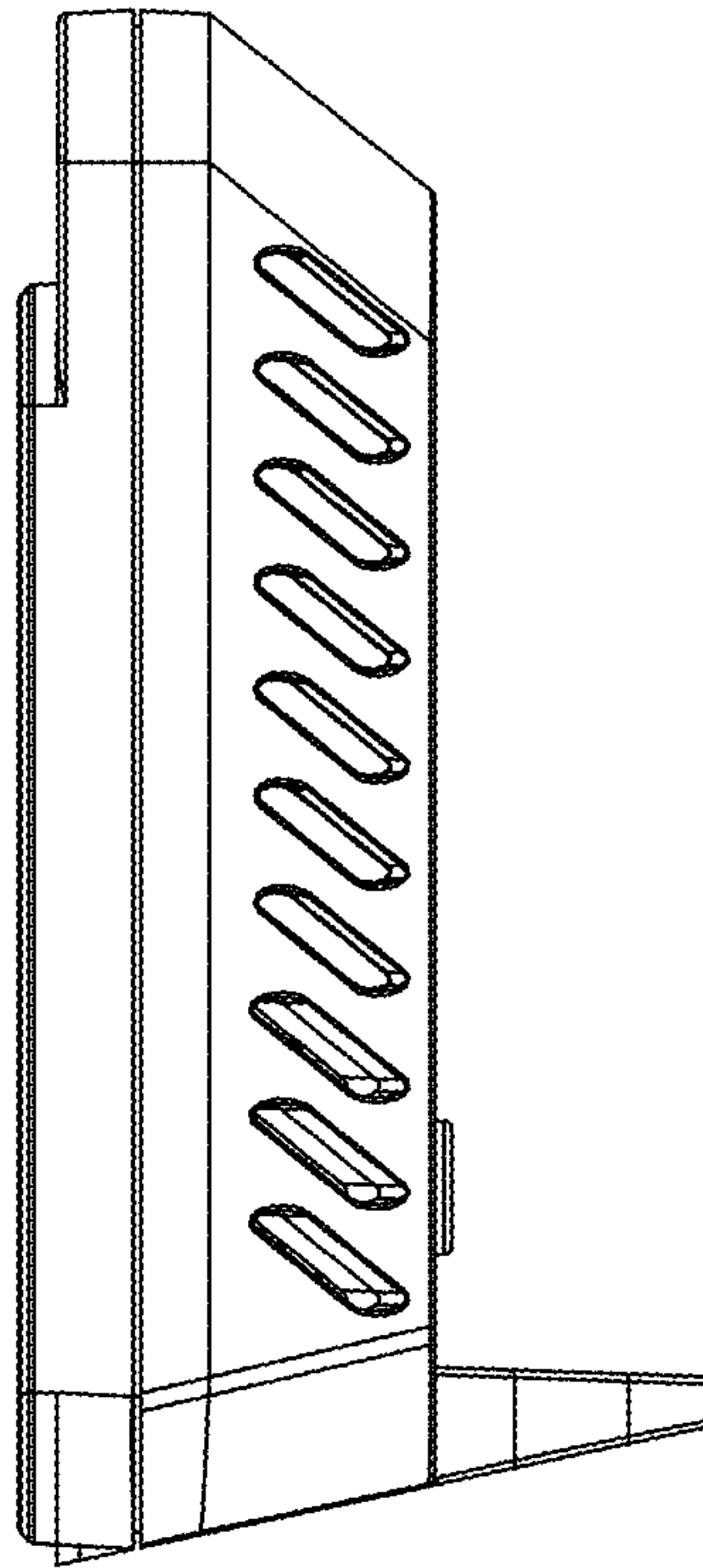


FIG.5

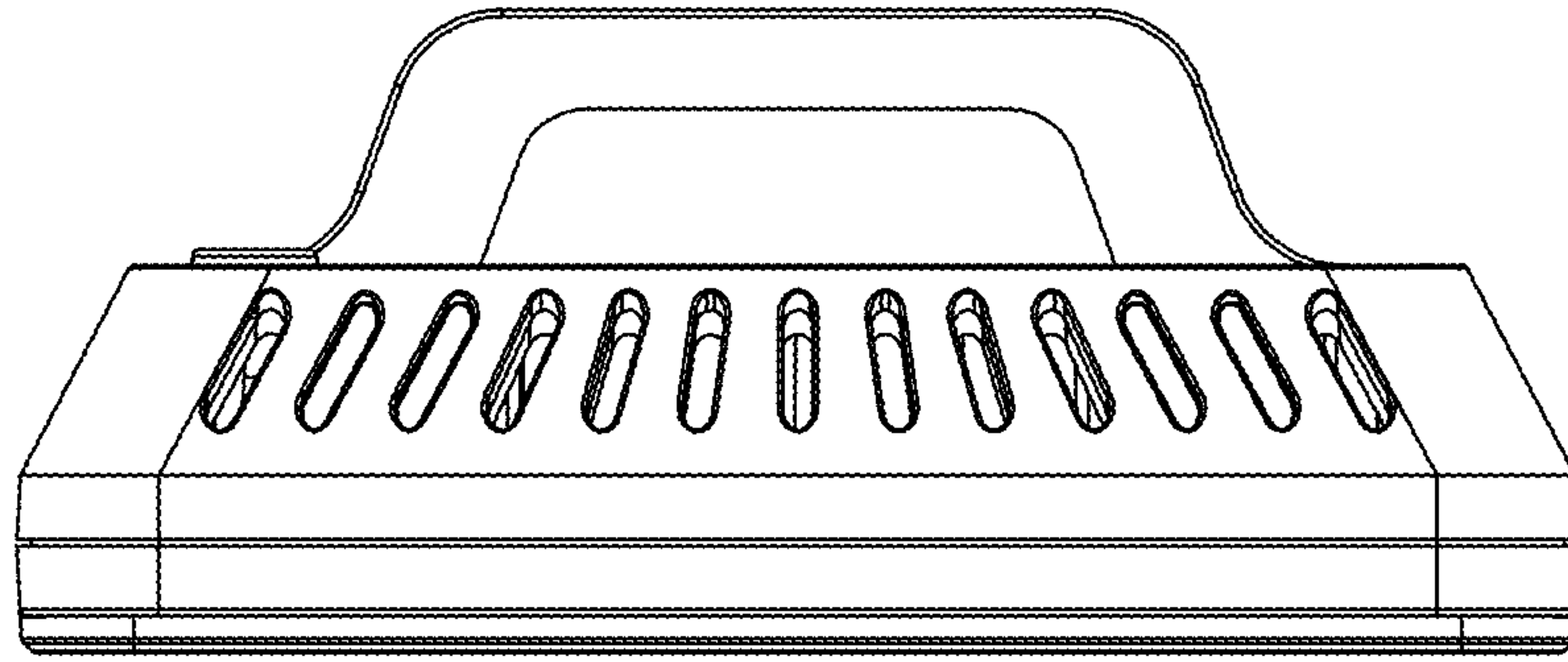


FIG. 6

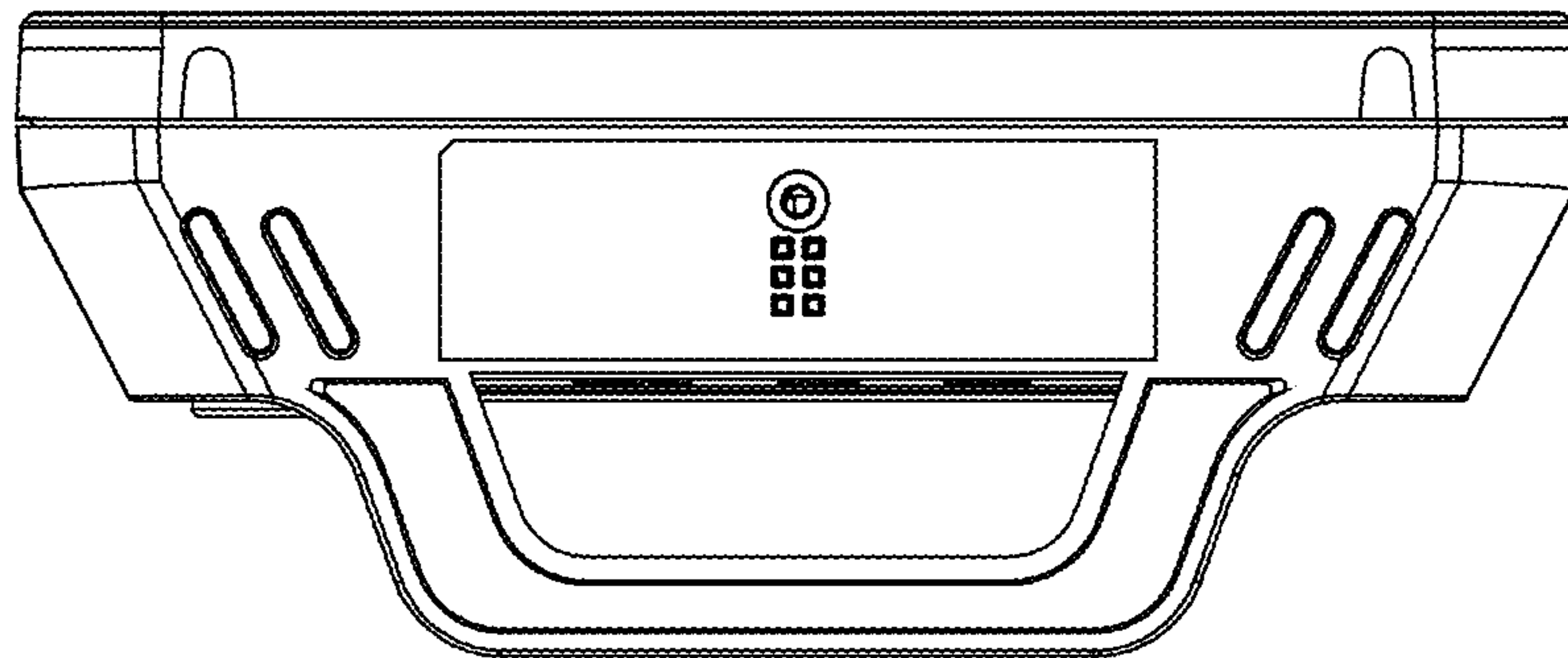


FIG. 7