



US00D682265S

(12) **United States Design Patent**  
**Kuehn et al.**

(10) **Patent No.:** **US D682,265 S**

(45) **Date of Patent:** **\*\* May 14, 2013**

(54) **HARD DRIVE CARRIER**

(56) **References Cited**

(71) Applicant: **Hewlett-Packard Development Company, L.P.**, Houston, TX (US)

U.S. PATENT DOCUMENTS

(72) Inventors: **Keith J. Kuehn**, Magnolia, TX (US);  
**Brooks Vaughan**, Tomball, TX (US)

6,565,163	B2 *	5/2003	Behl et al. ....	312/223.1
D543,543	S *	5/2007	Ng et al. ....	D14/356
D593,101	S *	5/2009	Alfonso et al. ....	D14/444
D593,563	S *	6/2009	Alfonso et al. ....	D14/444
D593,565	S *	6/2009	Dearborn et al. ....	D14/445
D632,689	S *	2/2011	Busri et al. ....	D14/356
2007/0236897	A1 *	10/2007	Chen .....	361/752
2009/0243445	A1 *	10/2009	Vaughan et al. ....	312/223.1

(73) Assignee: **Hewlett-Packard Development Company, L.P.**, Houston, TX (US)

(\*\*) Term: **14 Years**

\* cited by examiner

(21) Appl. No.: **29/444,113**

*Primary Examiner* — Freda S Nunn

(22) Filed: **Jan. 25, 2013**

(57) **CLAIM**

**Related U.S. Application Data**

The ornamental design for a hard drive carrier, as shown and described.

(62) Division of application No. 29/404,733, filed on Oct. 25, 2011, now Pat. No. Des. 678,273.

**DESCRIPTION**

(51) **LOC (9) Cl.** ..... **14-02**

FIG. 1 is a front perspective view of a hard drive carrier, it being understood that the three oval shaped elements shown inside the unclaimed circular element on the front panel are flat and therefore, only the top surface is being claimed.

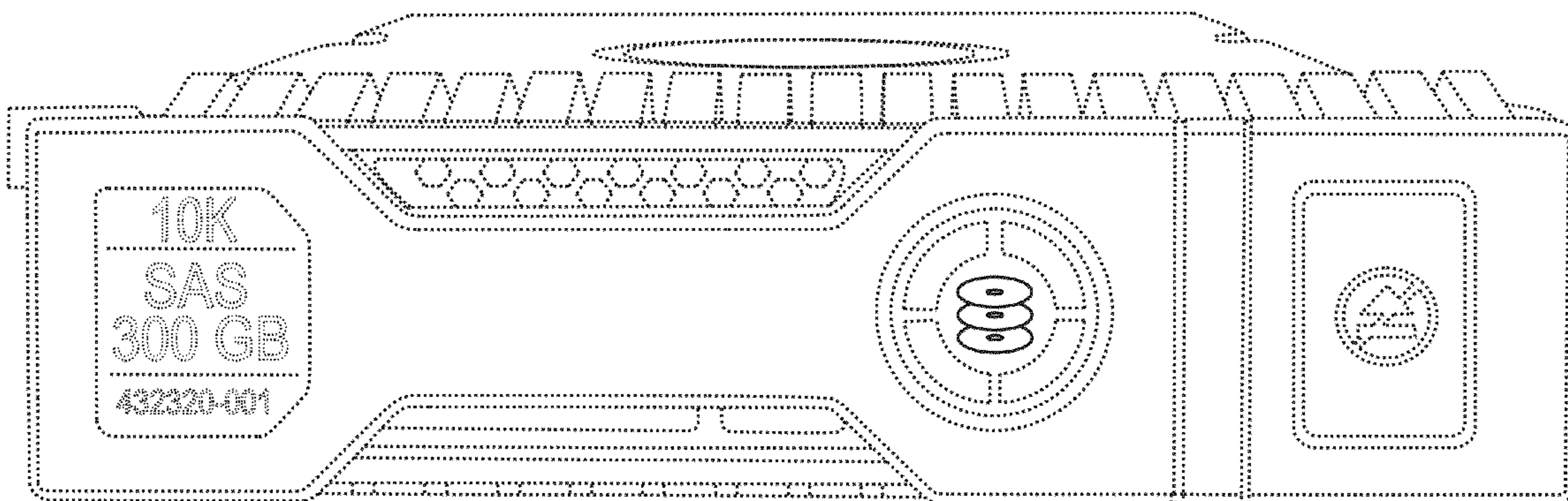
(52) **U.S. Cl.**  
USPC ..... **D14/348**

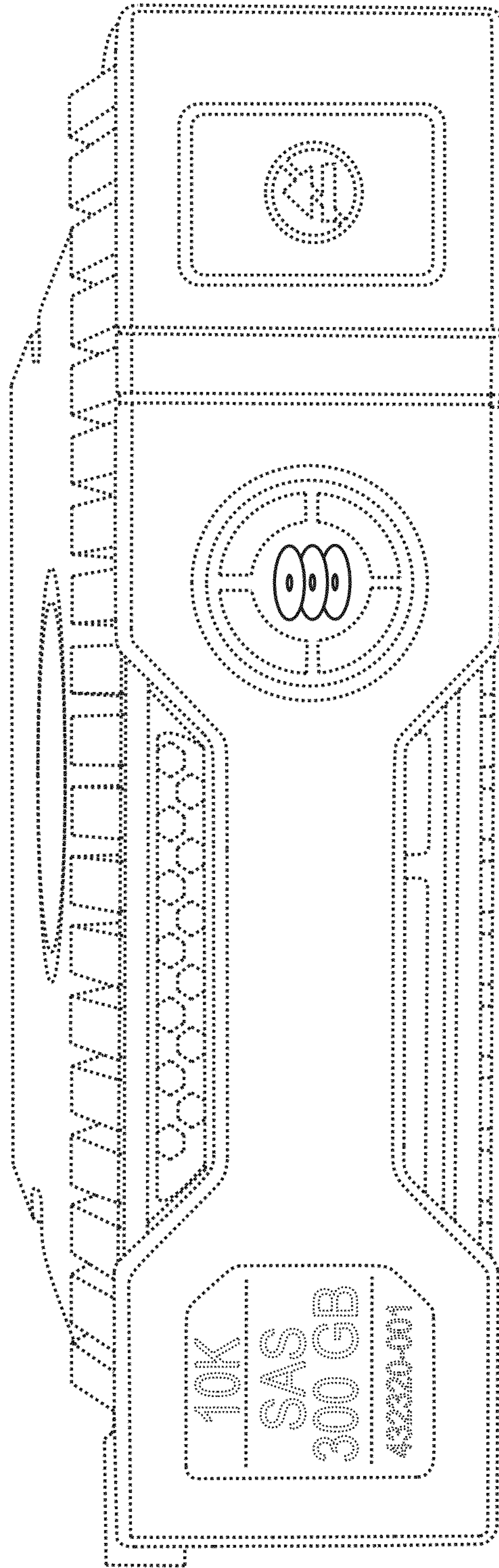
The broken lines showing of various regions and the unshaded areas therein are for the purpose of illustrating the article and form no part of the claimed design.

(58) **Field of Classification Search** ..... D14/240,  
D14/300, 301, 308, 313, 349–356, 364–368,  
D14/441–446; D13/162, 184, 199;  
312/223.1–223.3, 351.11; 360/99.01–99.12;  
369/34.01–36.01; 361/679.31–679.33, 679.37,  
361/679.39, 679.46, 679.53, 679.4

See application file for complete search history.

**1 Claim, 1 Drawing Sheet**





100