



US00D682264S

(12) **United States Design Patent**
Kim et al.

(10) **Patent No.:** **US D682,264 S**
(45) **Date of Patent:** **** May 14, 2013**

(54) **TABLET COMPUTER**

(75) Inventors: **Min-Jung Kim**, Seongnam (KR);
Dong-Seok Lee, Seoul (KR); **Jae-Seung Song**, Seoul (KR)

(73) Assignee: **Samsung Electronics Co., Ltd.**,
Suwon-Si (KR)

(**) Term: **14 Years**

(21) Appl. No.: **29/425,227**

(22) Filed: **Jun. 20, 2012**

(30) **Foreign Application Priority Data**

Jan. 9, 2012 (KR) 30-2012-0001215

(51) **LOC (9) Cl.** **14-02**

(52) **U.S. Cl.**
USPC **D14/345**

(58) **Field of Classification Search** D14/341–347,
D14/336, 337, 371, 374, 138, 496; D10/65;
345/173, 901, 104, 133, 156, 168; 348/180,
348/184, 325, 739, 373, 376; 385/88; 710/62;
455/575.3, 575.1

See application file for complete search history.

(56) **References Cited**

U.S. PATENT DOCUMENTS

D284,084 S 6/1986 Ferrara, Jr.
D306,583 S 3/1990 Krolopp et al.
D321,865 S * 11/1991 Derocher D14/345
D333,574 S 3/1993 Ackeret
D337,569 S 7/1993 Kando
D386,521 S * 11/1997 Eisenbaum D14/345
D445,787 S * 7/2001 Francis D14/345
D500,991 S 1/2005 Niitsu
D504,889 S 5/2005 Andre et al.
D517,545 S * 3/2006 Buckel et al. D14/345

D532,791 S 11/2006 Kim
7,286,803 B2 * 10/2007 Hamasaki et al. 455/90.3
D563,804 S 3/2008 Kimura et al.
D579,930 S 11/2008 Maskatia

(Continued)

FOREIGN PATENT DOCUMENTS

KR 3005985190000 5/2011
KR 3005994750000 5/2011

(Continued)

OTHER PUBLICATIONS

U.S. Appl. No. 29/405,537, Applicant Ik-Sang Kim, filed Nov. 3, 2011, entitled Tablet Computer.

(Continued)

Primary Examiner — Barbara Fox

(74) *Attorney, Agent, or Firm* — Wood, Herron & Evans, LLP

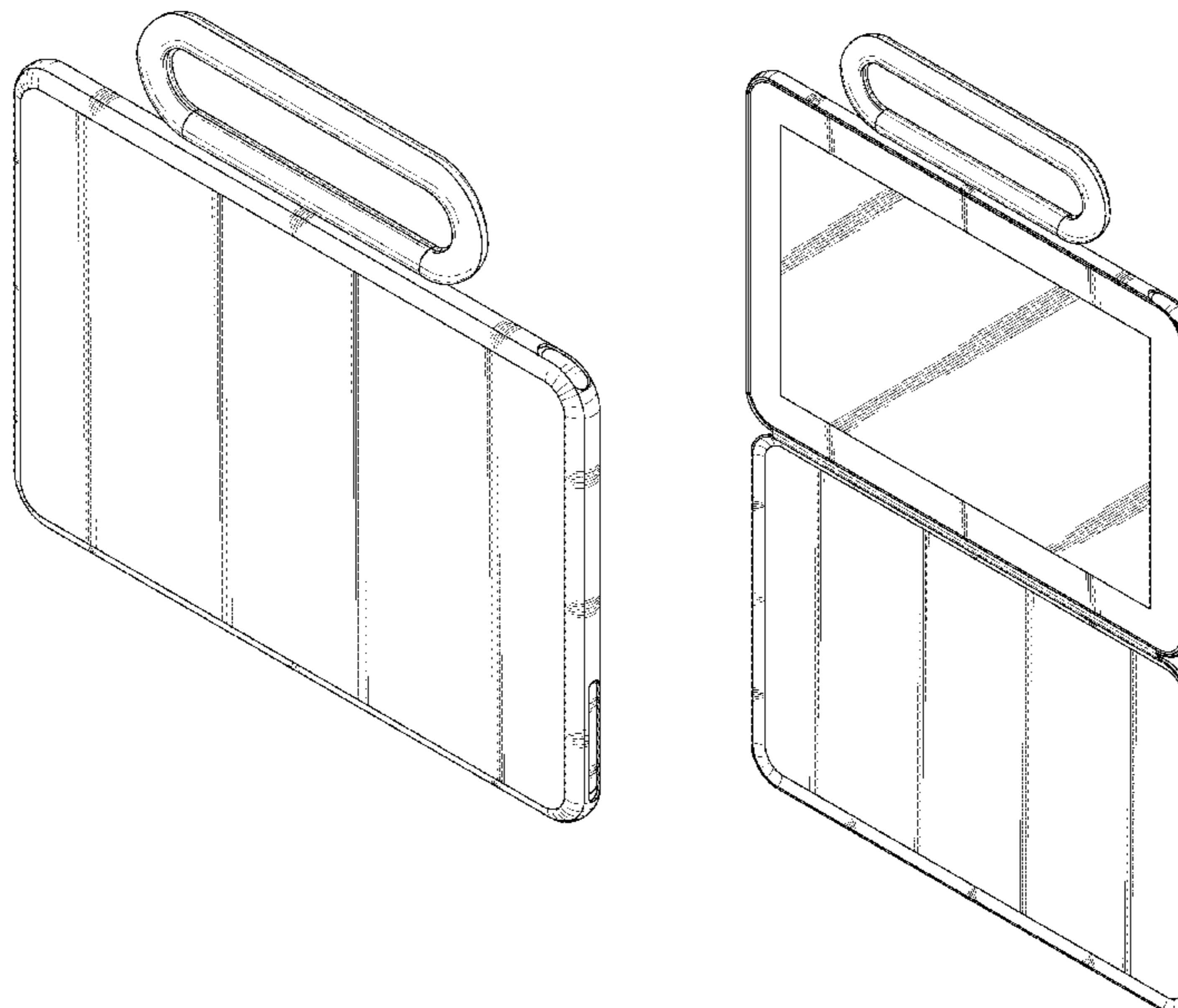
(57) **CLAIM**

The ornamental design for a tablet computer, as shown and described.

DESCRIPTION

FIG. 1 is a top front perspective view of a tablet computer showing our new design;
FIG. 2 is a front elevational view thereof;
FIG. 3 is a rear elevational view thereof;
FIG. 4 is a left side elevational view thereof;
FIG. 5 is a right side elevational view thereof;
FIG. 6 is a top plan view thereof;
FIG. 7 is a bottom plan view thereof;
FIG. 8 is a perspective view thereof when the front cover of the present tablet computer is opened; and,
FIG. 9 is a left side view thereof when the present tablet computer is stood on the floor in a triangular form.

1 Claim, 7 Drawing Sheets



U.S. PATENT DOCUMENTS

| | | | | | | |
|--------------|----|---|---------|-----------------|-------|-----------|
| D580,433 | S | * | 11/2008 | Chiang et al. | | D14/345 |
| D584,738 | S | | 1/2009 | Kim et al. | | |
| D587,704 | S | * | 3/2009 | McCoy | | D14/345 |
| D588,126 | S | * | 3/2009 | Chiang et al. | | D14/345 |
| D590,374 | S | | 4/2009 | Madonna et al. | | |
| D592,210 | S | * | 5/2009 | McCarthy | | D14/345 |
| D592,214 | S | | 5/2009 | Bradford | | |
| D593,091 | S | * | 5/2009 | Behar et al. | | D14/371 |
| D600,457 | S | * | 9/2009 | Ji et al. | | D6/308 |
| 7,591,444 | B2 | * | 9/2009 | Huang | | 248/173 |
| D602,014 | S | | 10/2009 | Andre et al. | | |
| D602,487 | S | | 10/2009 | Maskatia | | |
| D605,626 | S | | 12/2009 | Park | | |
| D610,582 | S | | 2/2010 | Sugitani et al. | | |
| D611,364 | S | | 3/2010 | Lenz et al. | | |
| D613,510 | S | | 4/2010 | Tzeng et al. | | |
| D613,951 | S | | 4/2010 | Tang et al. | | |
| D617,793 | S | | 6/2010 | Chiang et al. | | |
| D622,270 | S | | 8/2010 | Andre et al. | | |
| D627,667 | S | | 11/2010 | Lenz et al. | | |
| D628,913 | S | | 12/2010 | Cheng | | |
| D629,799 | S | | 12/2010 | Andre et al. | | |
| D639,806 | S | * | 6/2011 | Lee et al. | | D14/345 |
| D640,255 | S | | 6/2011 | Lee et al. | | |
| D664,540 | S | | 7/2012 | Kim et al. | | |
| D664,754 | S | | 8/2012 | Klein et al. | | |
| D664,955 | S | | 8/2012 | Kim et al. | | |
| D669,074 | S | * | 10/2012 | Chiu | | D14/371 |
| 2005/0221872 | A1 | * | 10/2005 | Sakai | | 455/575.1 |
| 2009/0231292 | A1 | | 9/2009 | Hsieh et al. | | |

FOREIGN PATENT DOCUMENTS

| | | |
|----|---------------|--------|
| KR | 3006004150000 | 6/2011 |
| KR | 3006004300000 | 6/2011 |
| KR | 3006046440000 | 7/2011 |

OTHER PUBLICATIONS

U.S. Appl. No. 29/407,975, Applicant Chun et al, filed Dec. 6, 2011, entitled Tablet Computer.
 U.S. Appl. No. 29/407,981, Applicant Chun et al, filed Dec. 6, 2011, entitled Cradle for Tablet Computer.
 U.S. Appl. No. 29/407,982, Applicant Lee et al, filed Dec. 6, 2011, entitled Tablet Computer.

U.S. Appl. No. 29/407,984, Applicant Jeon et al., filed Dec. 6, 2011, entitled Tablet Computer.
 U.S. Appl. No. 29/407,989, Applicant Lee et al, filed Dec. 6, 2011, entitled Cradle for Tablet Computer.
 U.S. Appl. No. 29/407,996, Applicant Jeon et al, filed Sep. 21, 2011, entitled Charger for Tablet Computer.
 U.S. Appl. No. 29/408,009, Applicant Song et al, filed Dec. 6, 2011, entitled Tablet Computer.
 U.S. Appl. No. 29/408,017, Applicant Song et al, filed Dec. 6, 2011, entitled Tablet Computer.
 U.S. Appl. No. 29/416,029, Applicant Kim et al., filed Dec. 6, 2011, entitled Tablet Computer.
 U.S. Appl. No. 29/416,032, Applicant Kim et al., filed Mar. 16, 2012, entitled Tablet Computer.
 U.S. Appl. No. 29/418,670, Applicant Song et al., filed Apr. 19, 2012, entitled Tablet Computer.
 U.S. Appl. No. 29/419,893, Applicant Ik-Sang Kim, filed May 2, 2012, entitled Slate Computer.
 U.S. Appl. No. 29/419,907, Applicant Ik-Sang Kim, filed May 2, 2012, entitled Slate Computer.
 U.S. Appl. No. 29/419,911, Applicant Kim et al., filed May 2, 2012, entitled Tablet Computer.
 U.S. Appl. No. 29/420,669, Applicant Lim et al., filed May 11, 2012, entitled Tablet Computer.
 U.S. Appl. No. 29/422,467, Applicant Song et al., filed May 21, 2012, entitled Tablet Computer.
 U.S. Appl. No. 29/425,977, Applicant Ji-Sang Park, filed Jun. 28, 2012, entitled Tablet Computer.
 U.S. Appl. No. 29/425,978, Applicant Lim et al., filed Jun. 28, 2012, entitled Tablet Computer.
 U.S. Appl. No. 29/427,736, Applicant Kim et al., filed Jul. 21, 2012, entitled Tablet Computer.
 U.S. Appl. No. 29/431,774, Applicant Lee et al., filed Sep. 11, 2012, entitled Tablet Computer.
 U.S. Appl. No. 29/425,446, Applicant Kim et al., filed Jun. 22, 2012, entitled Portable Computer.
 U.S. Appl. No. 29/425,732, Applicant Park et al., filed Jun. 26, 2012, entitled Portable Computer.
 U.S. Appl. No. 29/425,828, Applicant Kim et al., filed Jun. 27, 2012, entitled Portable Computer.
 U.S. Appl. No. 29/425,836, Applicant Park et al., filed Jun. 27, 2012, entitled Portable Computer.

* cited by examiner

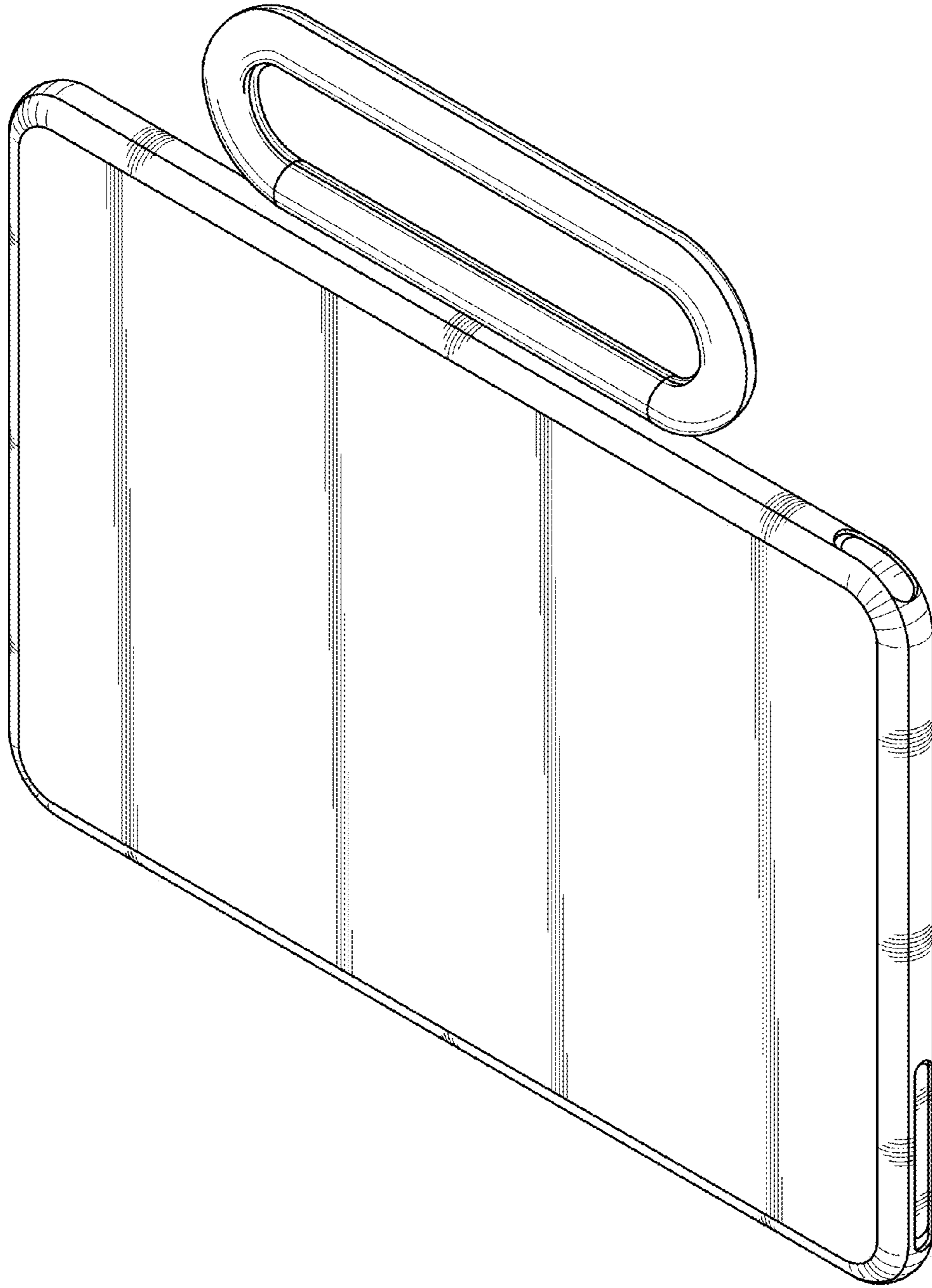


FIG. 1

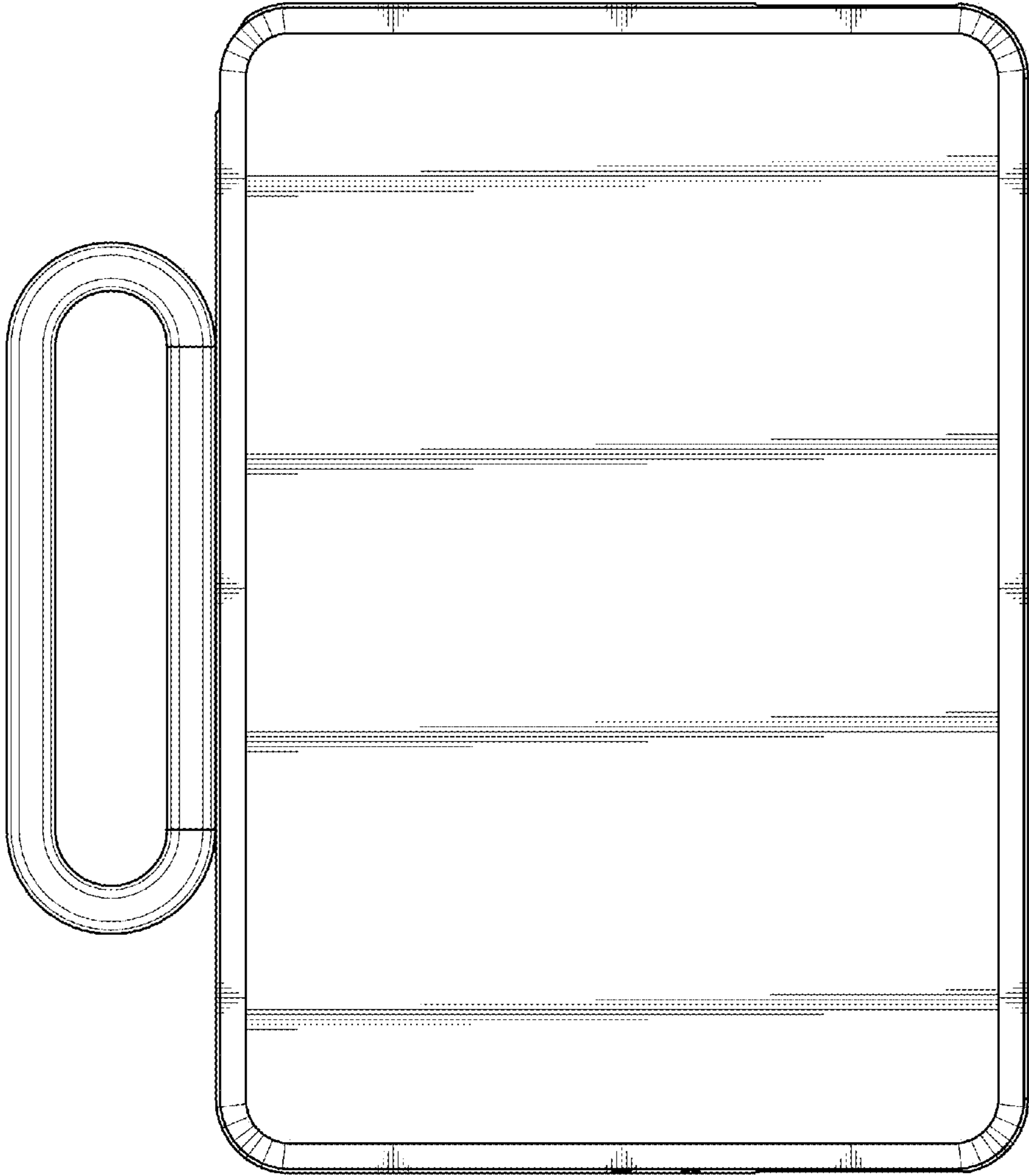


FIG. 2

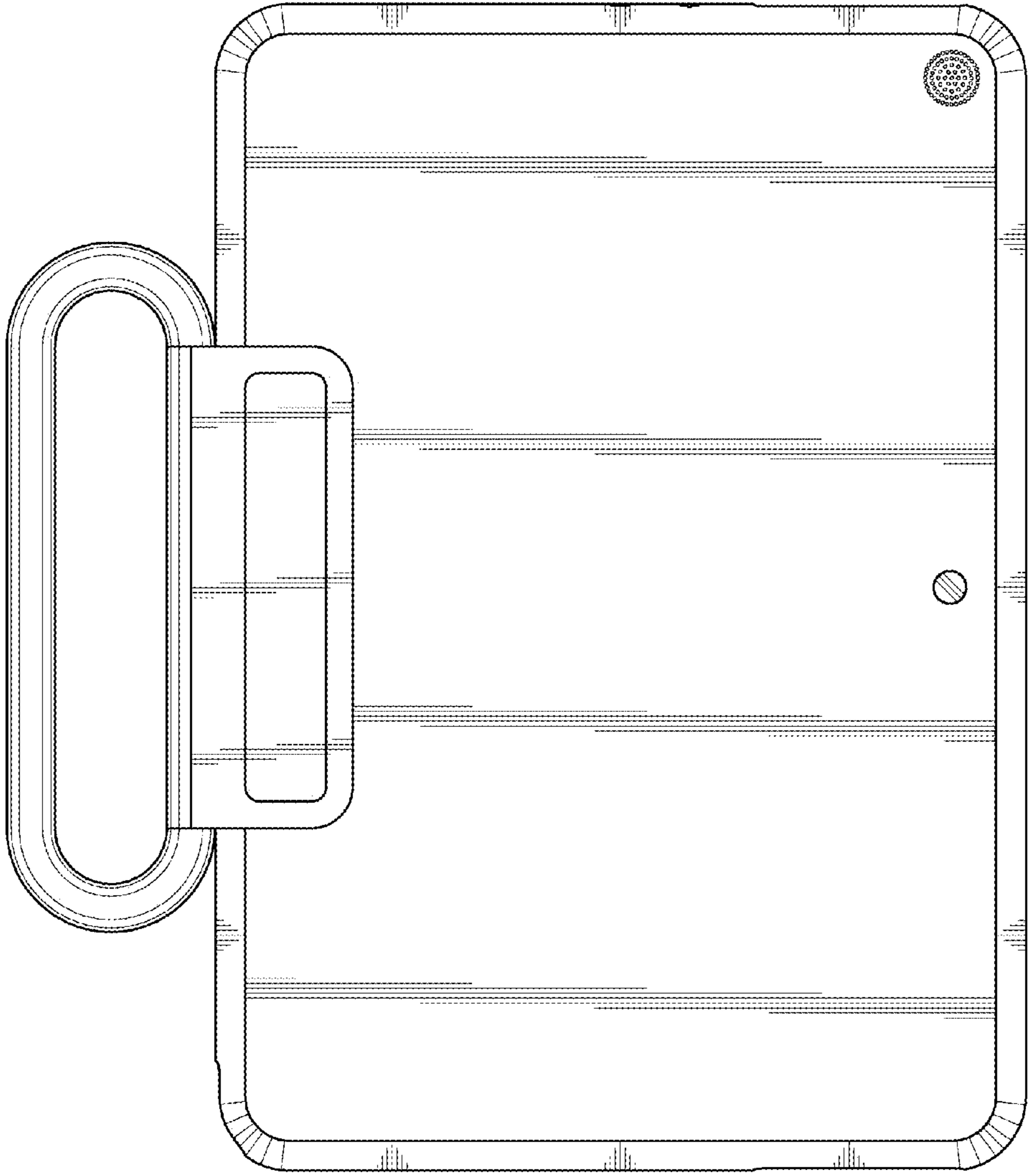


FIG. 3

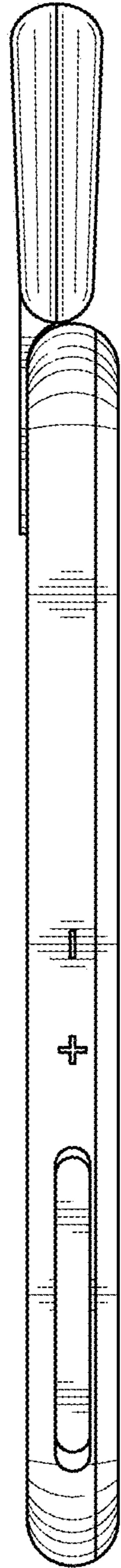


FIG. 4

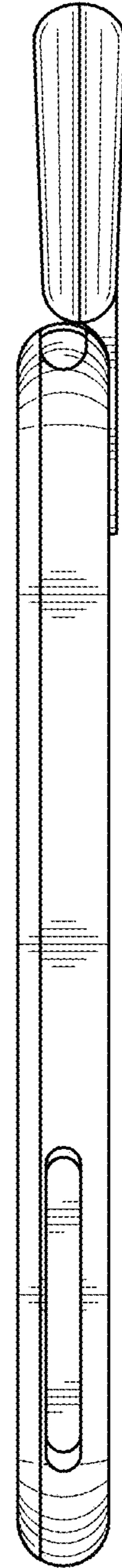


FIG. 5

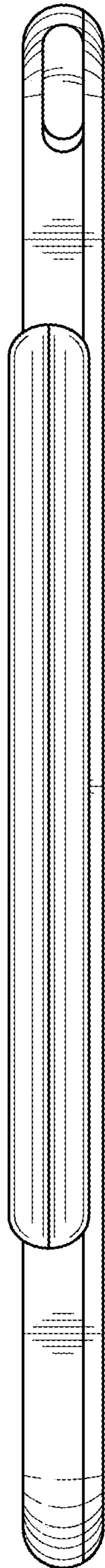


FIG. 6

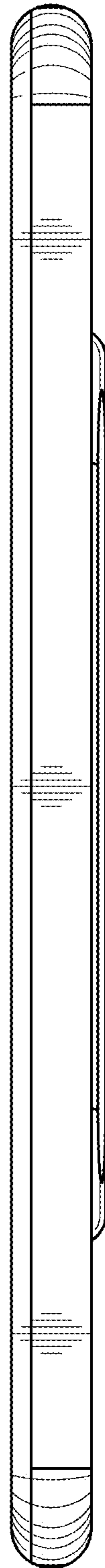


FIG. 7

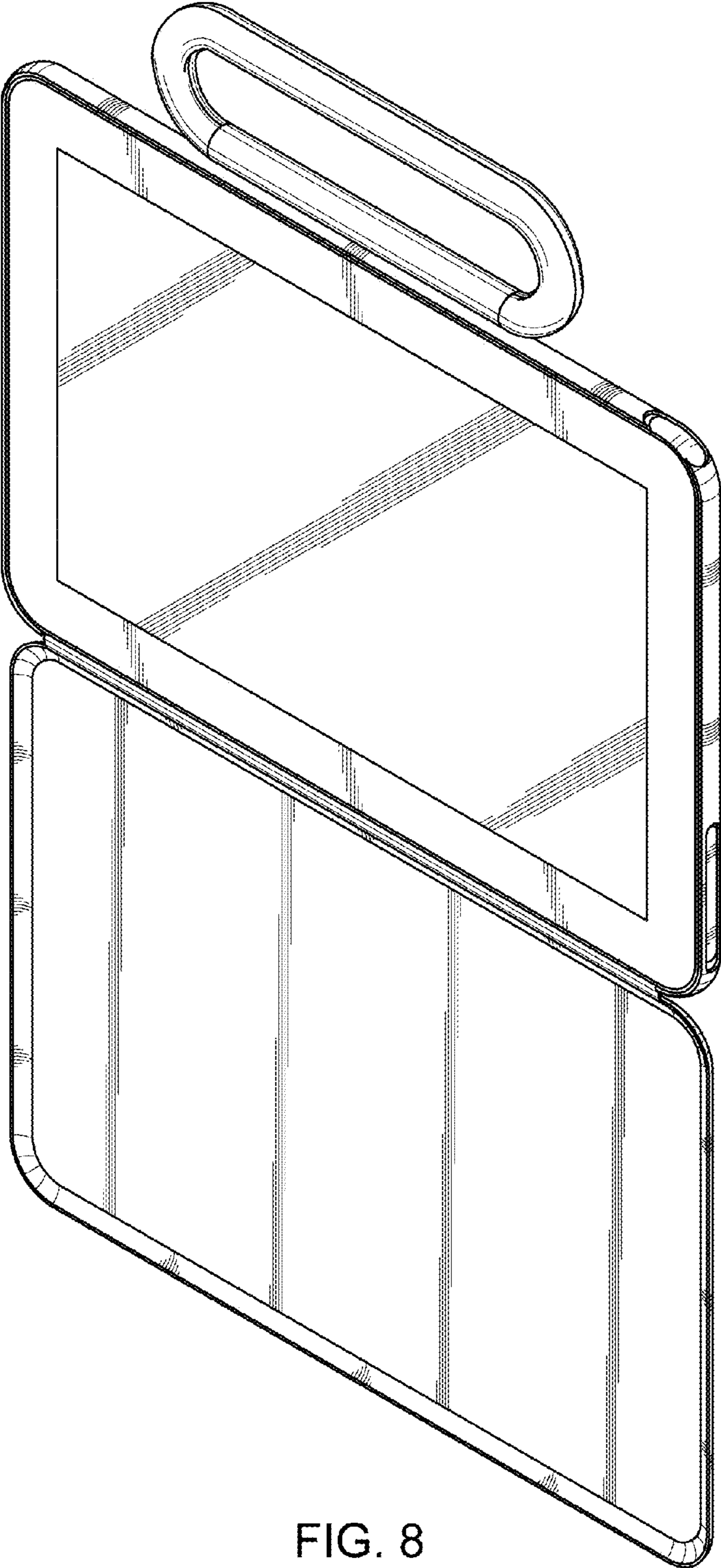


FIG. 8

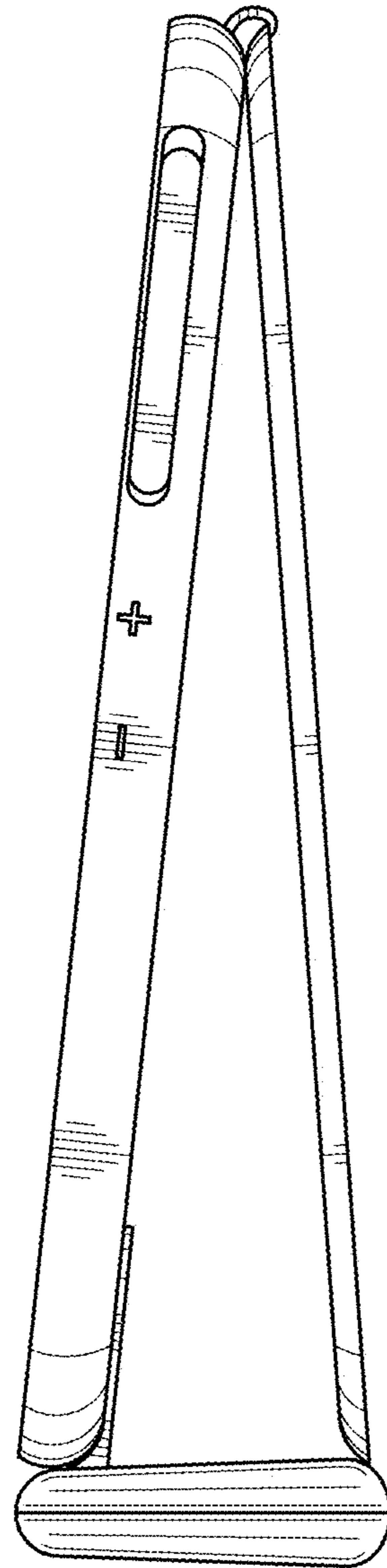


FIG. 9