



US00D682263S

(12) **United States Design Patent**
Kim et al.

(10) **Patent No.:** **US D682,263 S**

(45) **Date of Patent:** **** May 14, 2013**

(54) **TABLET PC**

(75) Inventors: **Dong-Kyun Kim**, Seoul (KR);
Hyung-Shin Park, Seoul (KR)

(73) Assignee: **Samsung Electronics Co., Ltd.**,
Suwon-si (KR)

(**) Term: **14 Years**

(21) Appl. No.: **29/426,453**

(22) Filed: **Jul. 5, 2012**

(30) **Foreign Application Priority Data**

Jan. 25, 2012 (KR) 30-2012-0003405

(51) **LOC (9) Cl.** **14-02**

(52) **U.S. Cl.**
USPC **D14/341**

(58) **Field of Classification Search** D14/341-347,
D14/336, 337, 371, 374, 138, 496; D10/65;
345/173, 901, 104, 133, 156, 168; 348/180,
348/184, 325, 739, 373, 376; 385/88; 710/62;
455/575.3, 575.1

See application file for complete search history.

(56) **References Cited**

U.S. PATENT DOCUMENTS

D360,621 S * 7/1995 Schoening D14/345
D408,383 S * 4/1999 Carter et al. D14/374
D490,807 S * 6/2004 Murata D14/345
D604,730 S * 11/2009 Shih et al. D14/346
D628,575 S * 12/2010 Ko et al. D14/374

D639,296 S * 6/2011 Tseng et al. D14/345
D655,307 S * 3/2012 Maier et al. D14/496
D669,467 S * 10/2012 Ballout D14/336

* cited by examiner

Primary Examiner — Barbara Fox

(74) *Attorney, Agent, or Firm* — NSIP Law

(57) **CLAIM**

The ornamental design for a tablet PC, as shown and described.

DESCRIPTION

FIG. 1 is a front perspective view of a tablet PC showing our new design;

FIG. 2 is a front view of the tablet PC of FIG. 1;

FIG. 3 is a rear view of the tablet PC of FIG. 1;

FIG. 4 is a left-side view of the tablet PC of FIG. 1;

FIG. 5 is a right-side view of the tablet PC of FIG. 1;

FIG. 6 is a top plan view of the tablet PC of FIG. 1;

FIG. 7 is a bottom plan view of the tablet PC of FIG. 1;

FIG. 8 is a rear perspective view of the tablet PC of FIG. 1;

FIG. 9 is a front perspective view of the tablet PC of FIGS. 1-8, shown in an open position;

FIG. 10 is a front view of the tablet PC of FIG. 9;

FIG. 11 is a rear view of the tablet PC of FIG. 9;

FIG. 12 is a left-side view of the tablet PC of FIG. 9;

FIG. 13 is a right-side view of the tablet PC of FIG. 9;

FIG. 14 is a top plan view of the tablet PC of FIG. 9;

FIG. 15 is a bottom plan view of the tablet PC of FIG. 9; and,

FIG. 16 is a rear perspective view of the tablet PC of FIG. 9.

The broken lines shown in the figures represent portions of the tablet PC which form no part of the claimed design.

1 Claim, 16 Drawing Sheets

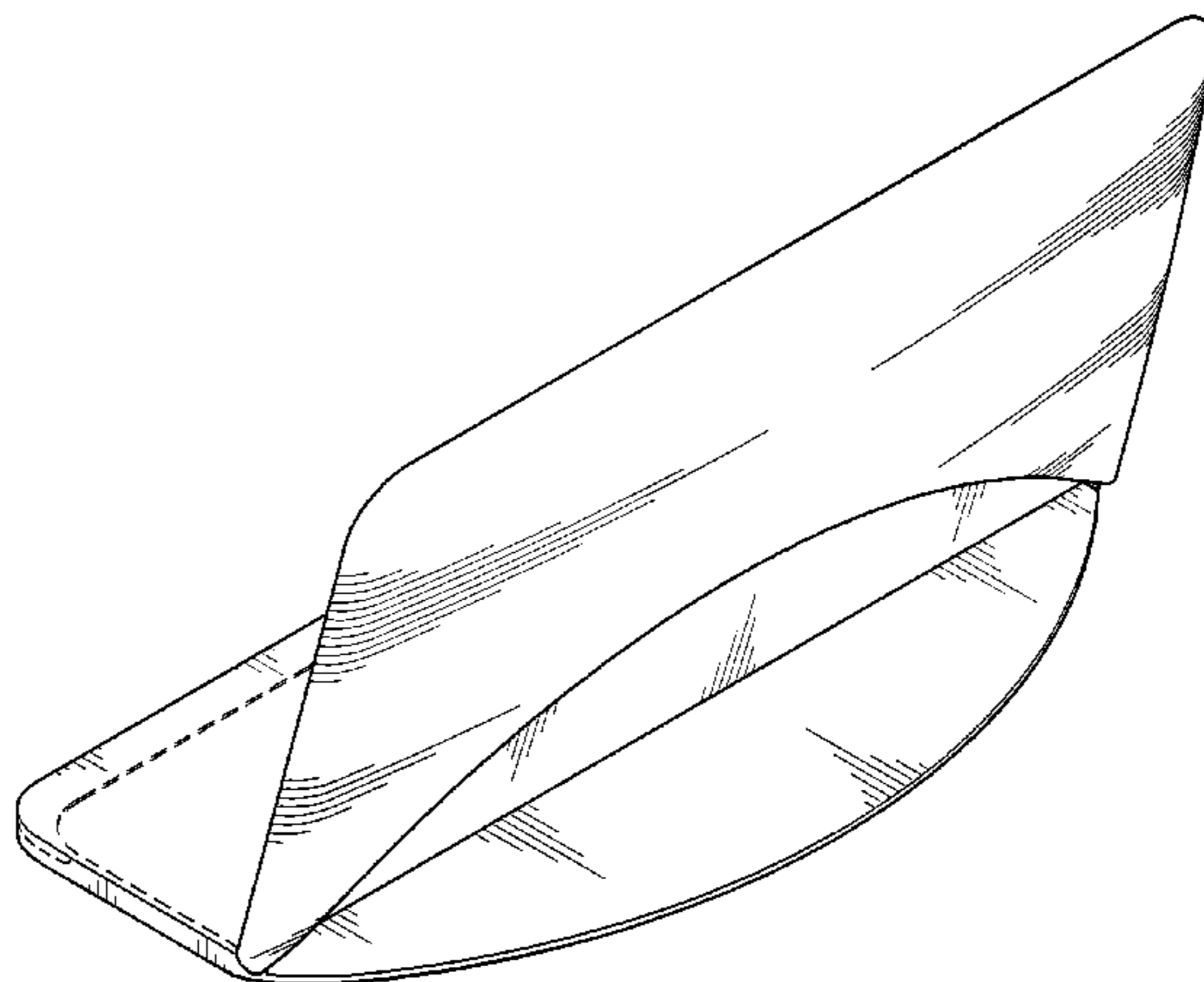
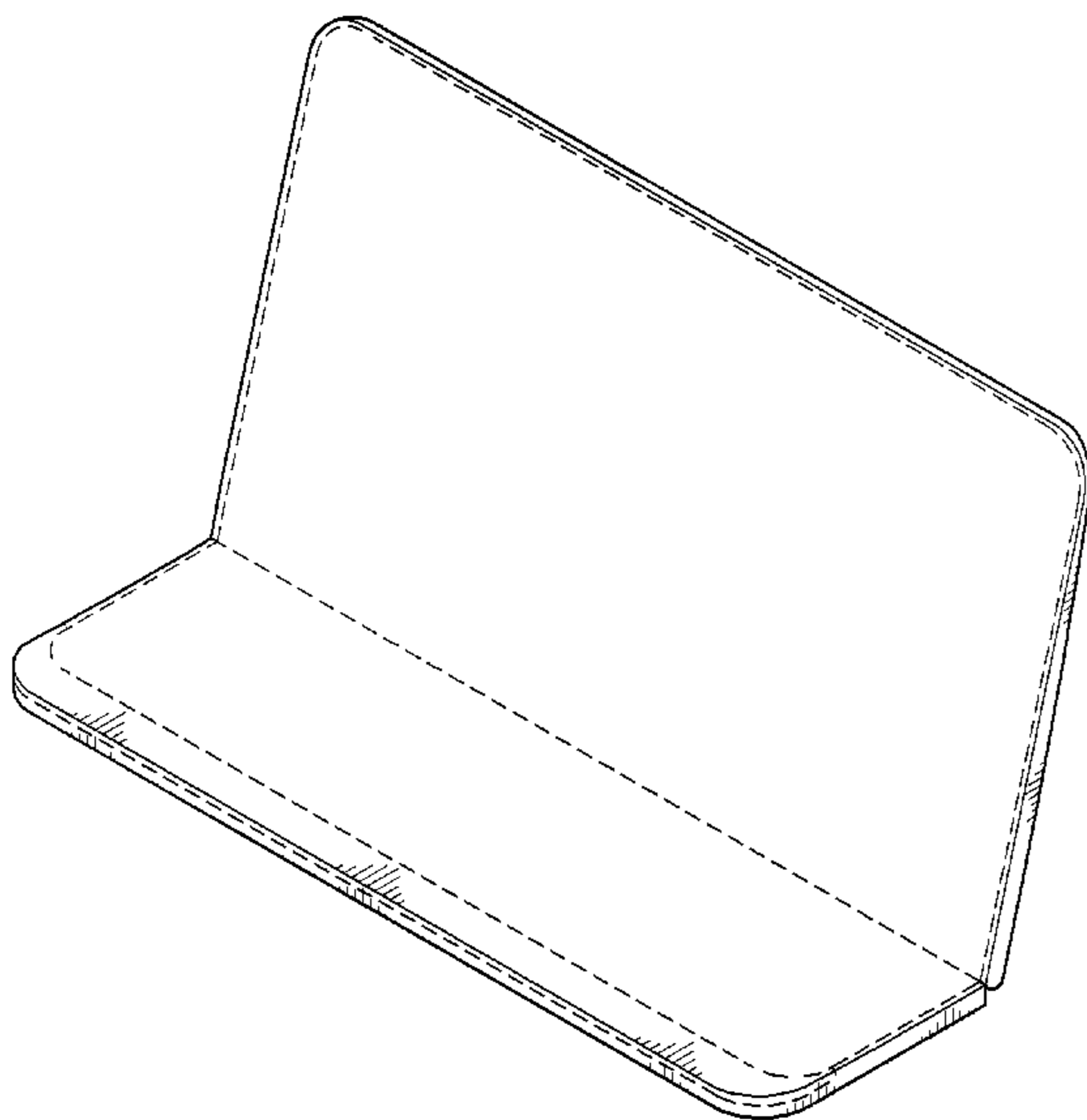


FIG.1

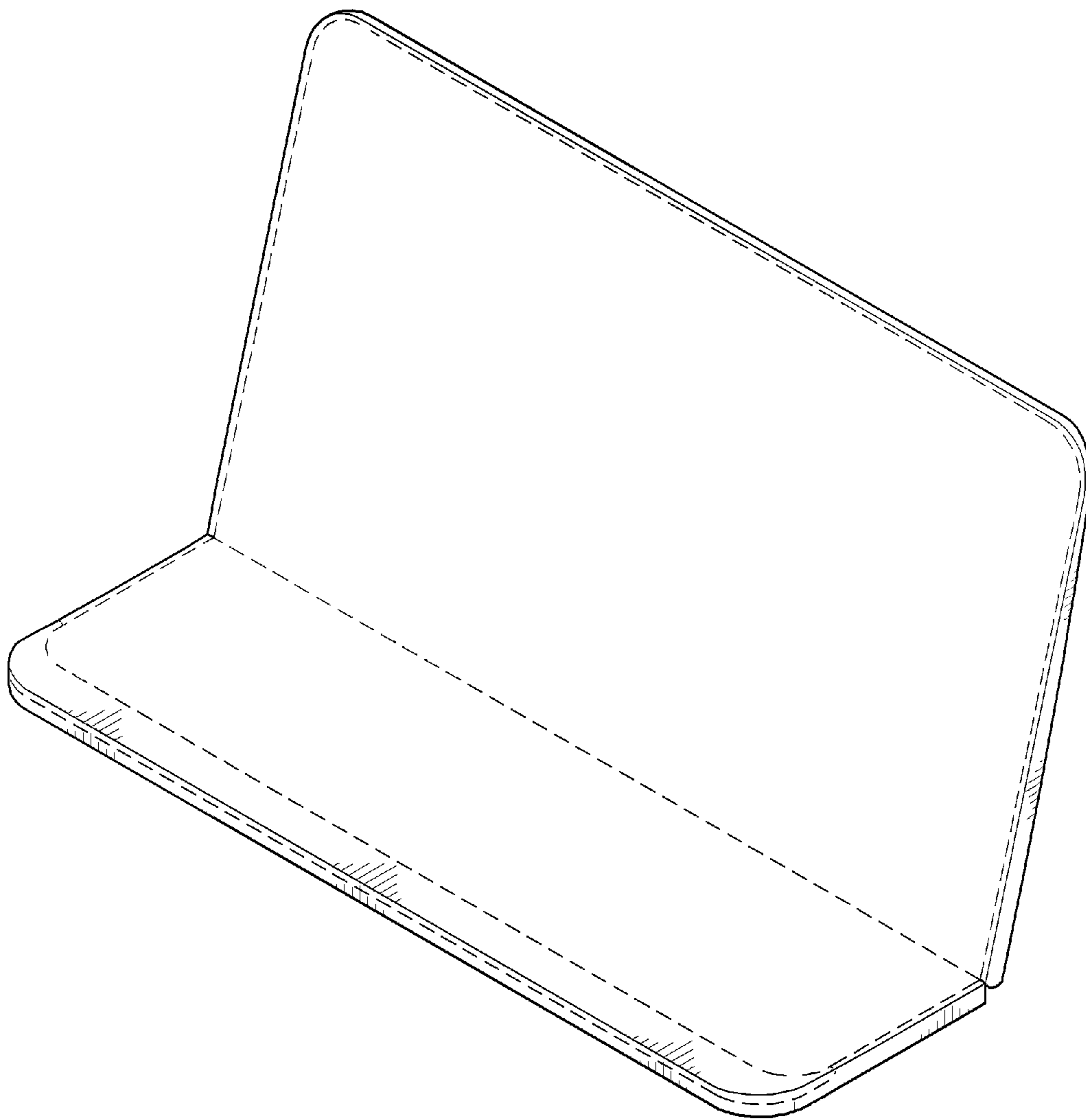


FIG.2

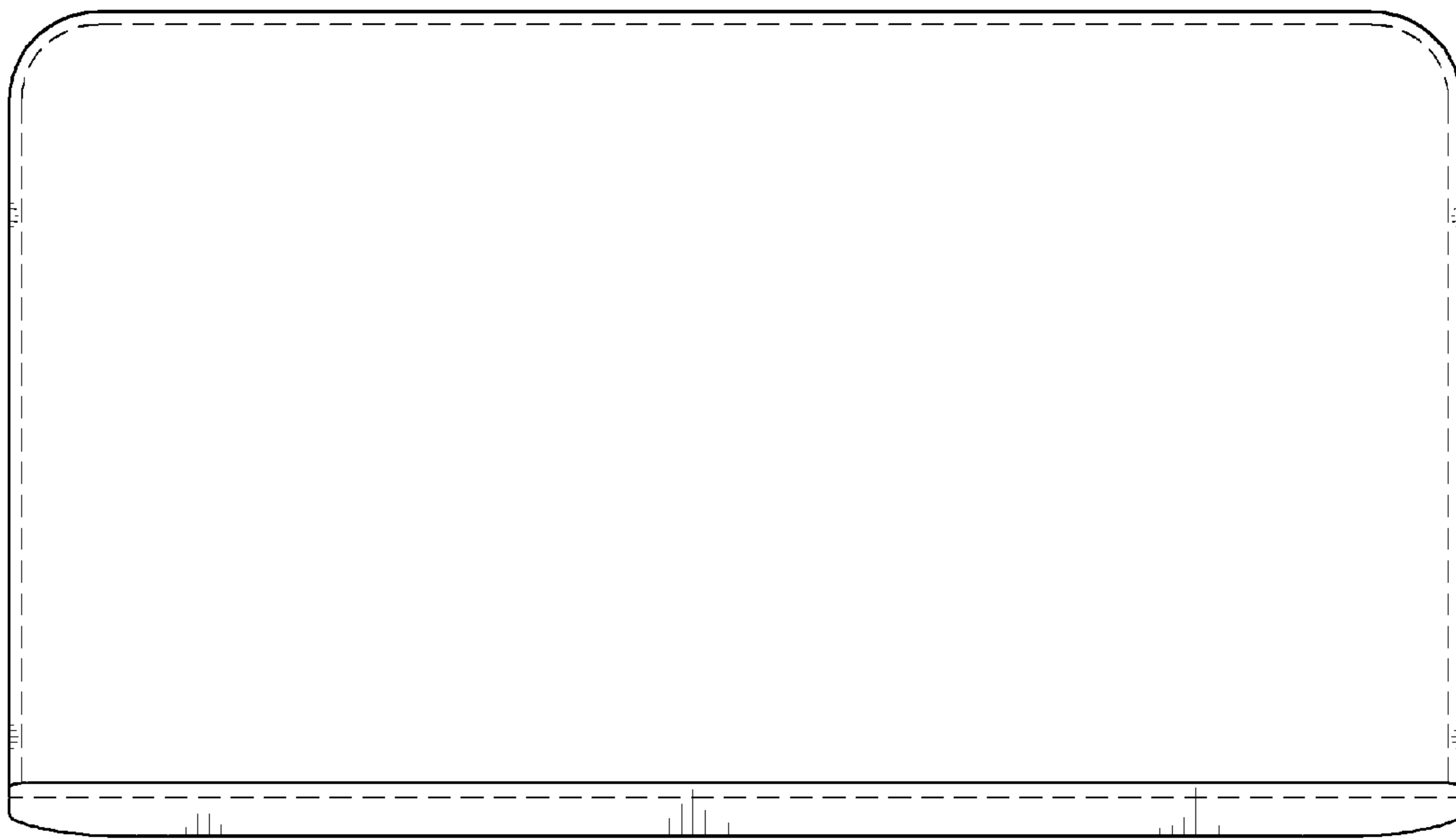


FIG.3

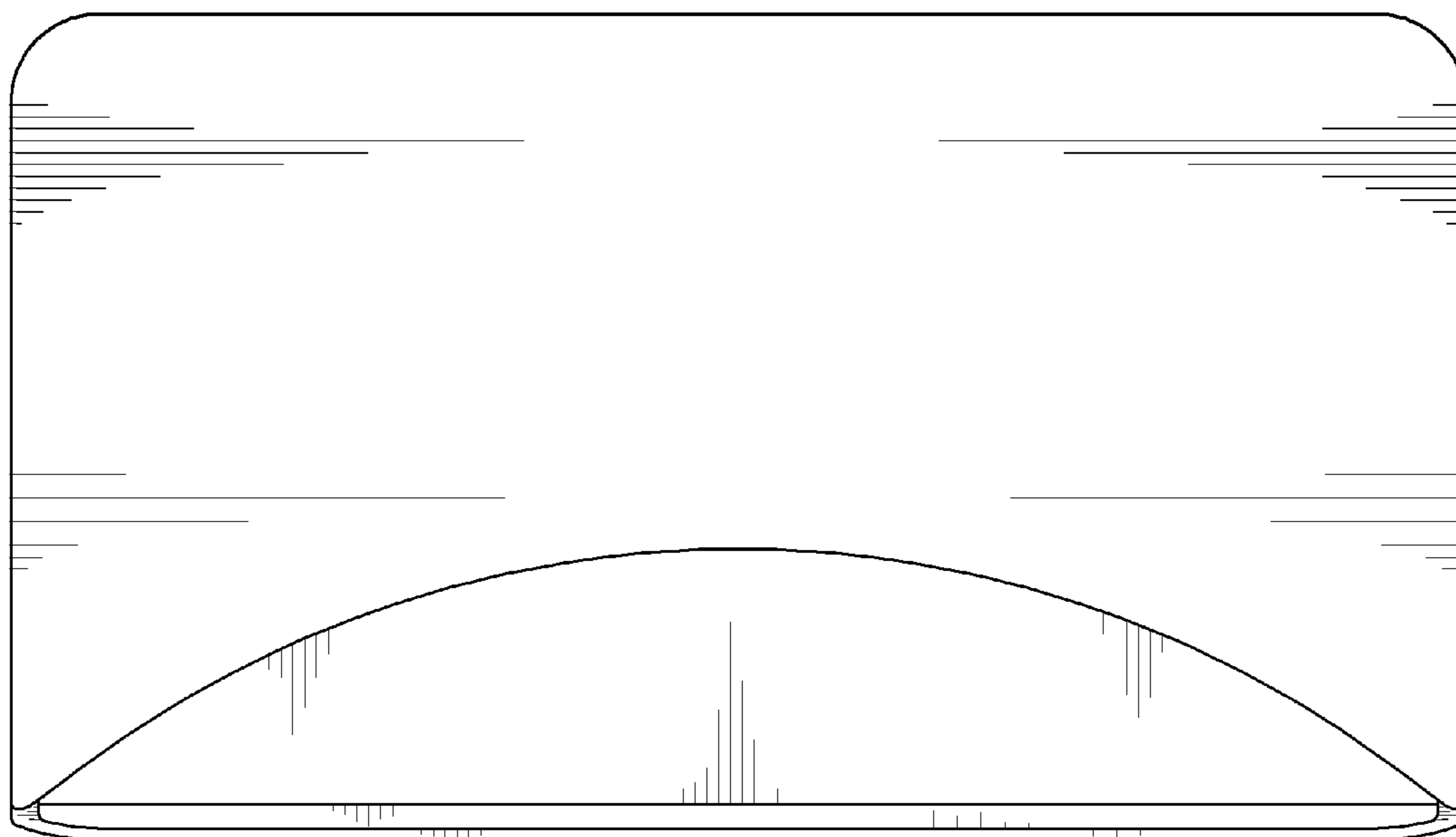


FIG.4

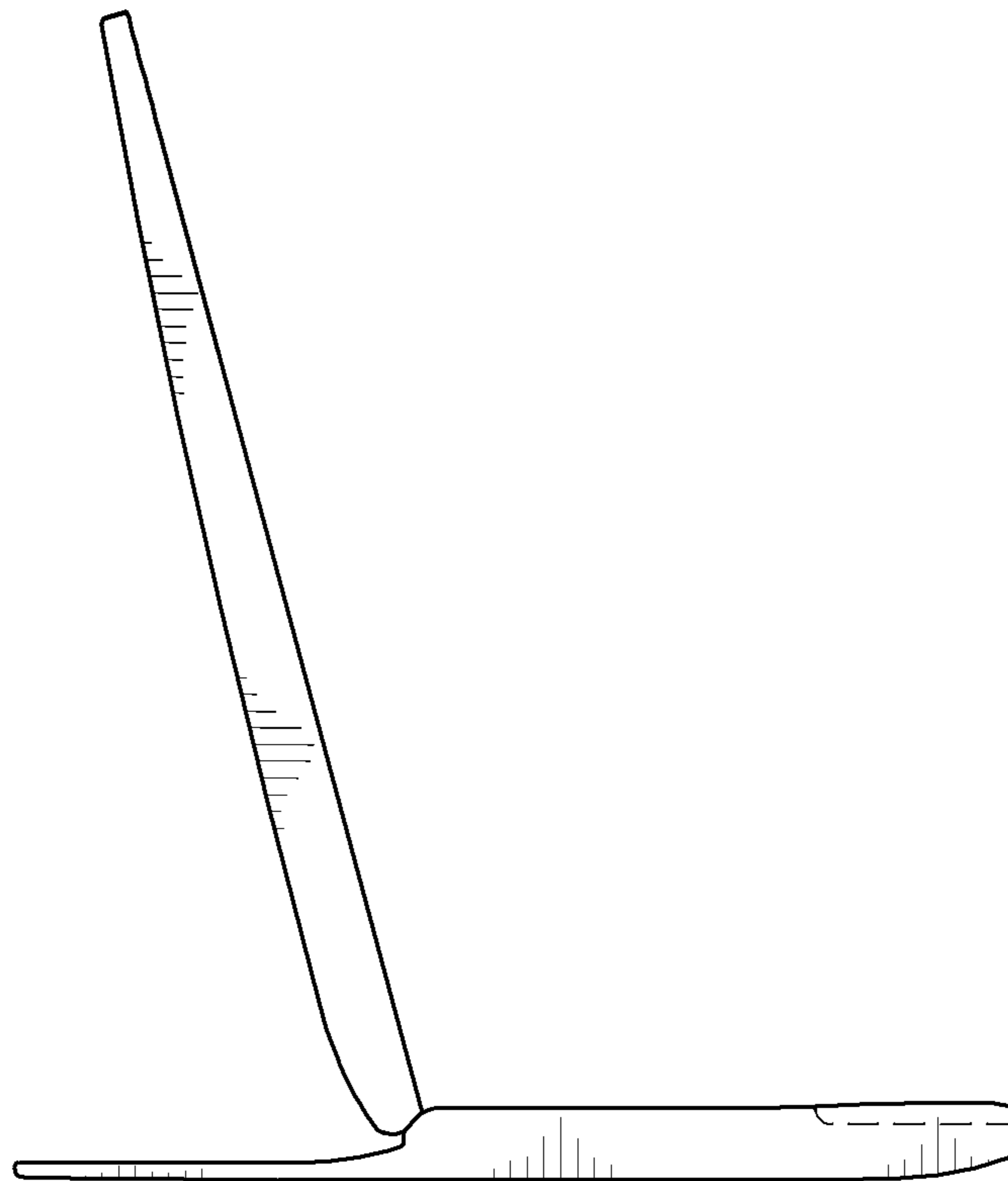


FIG.5

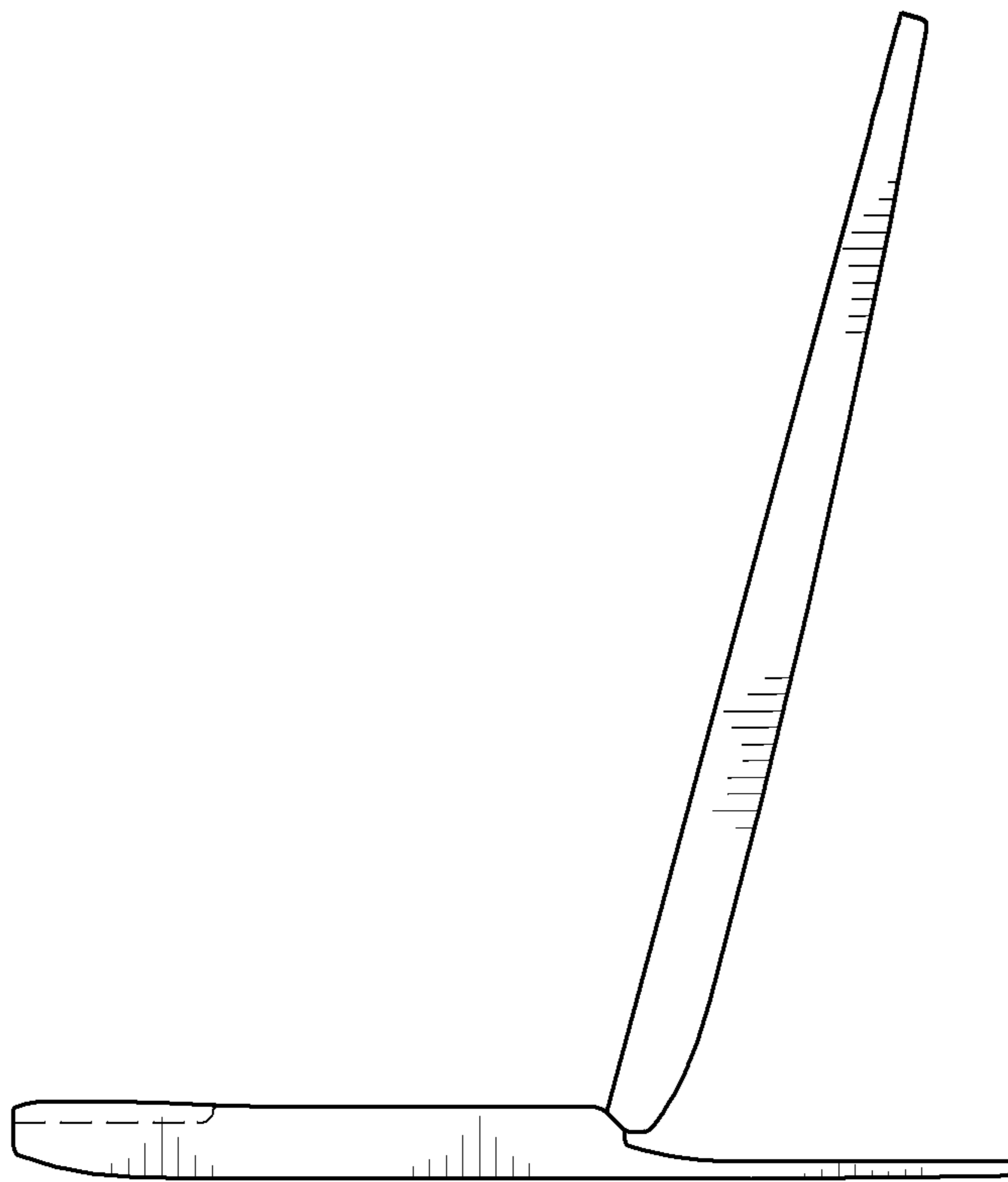


FIG.6

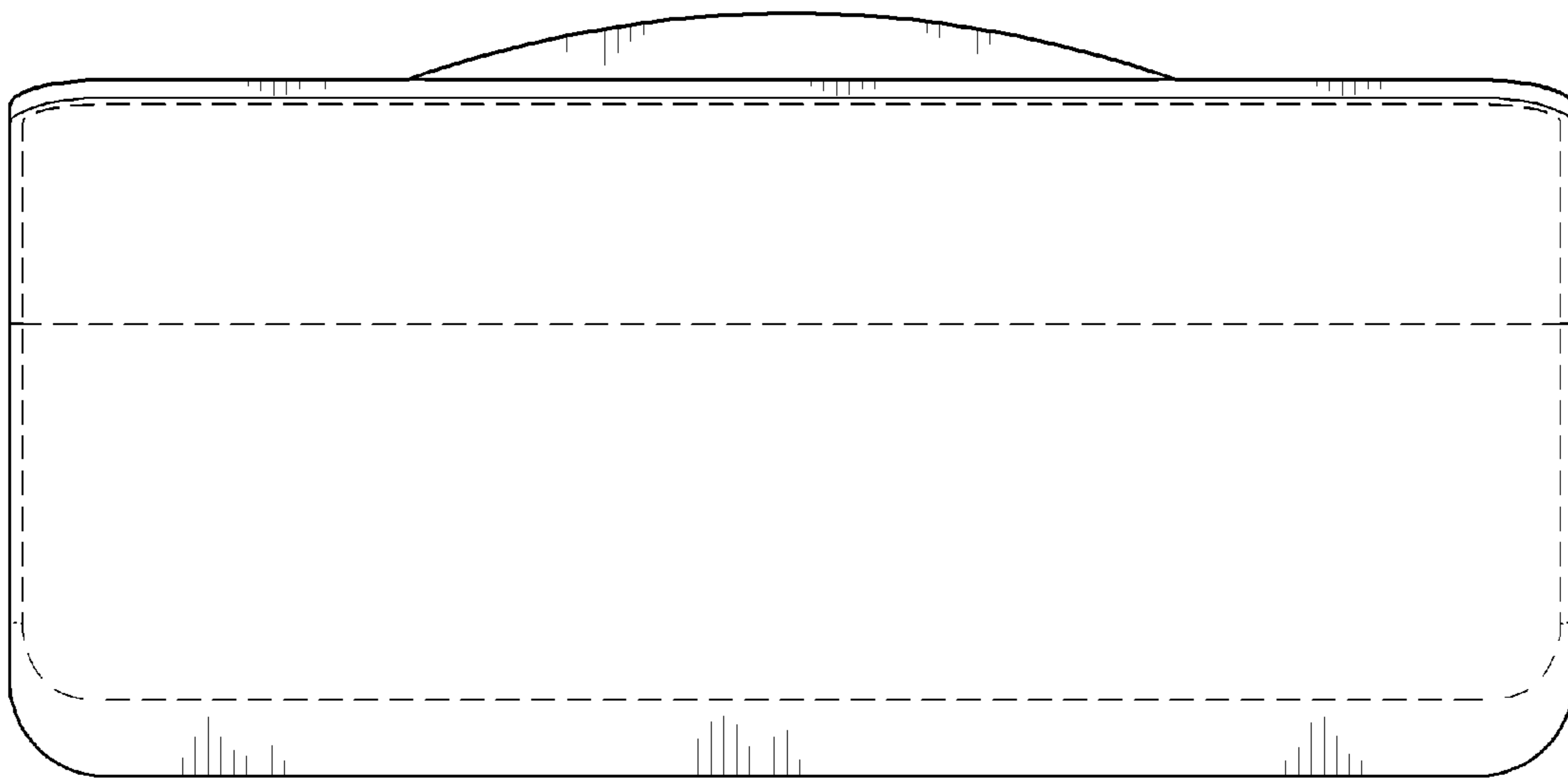


FIG.7

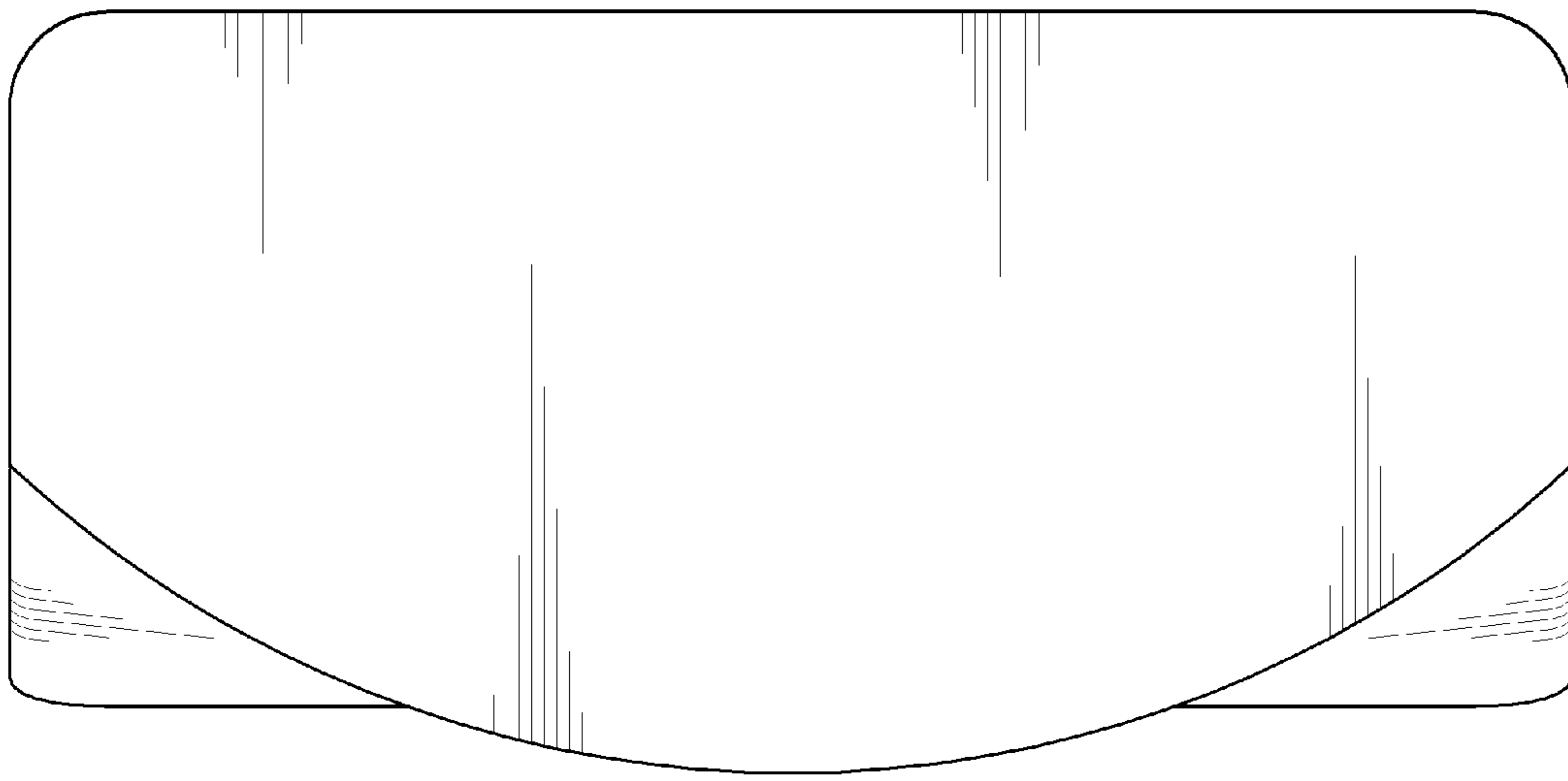


FIG.8

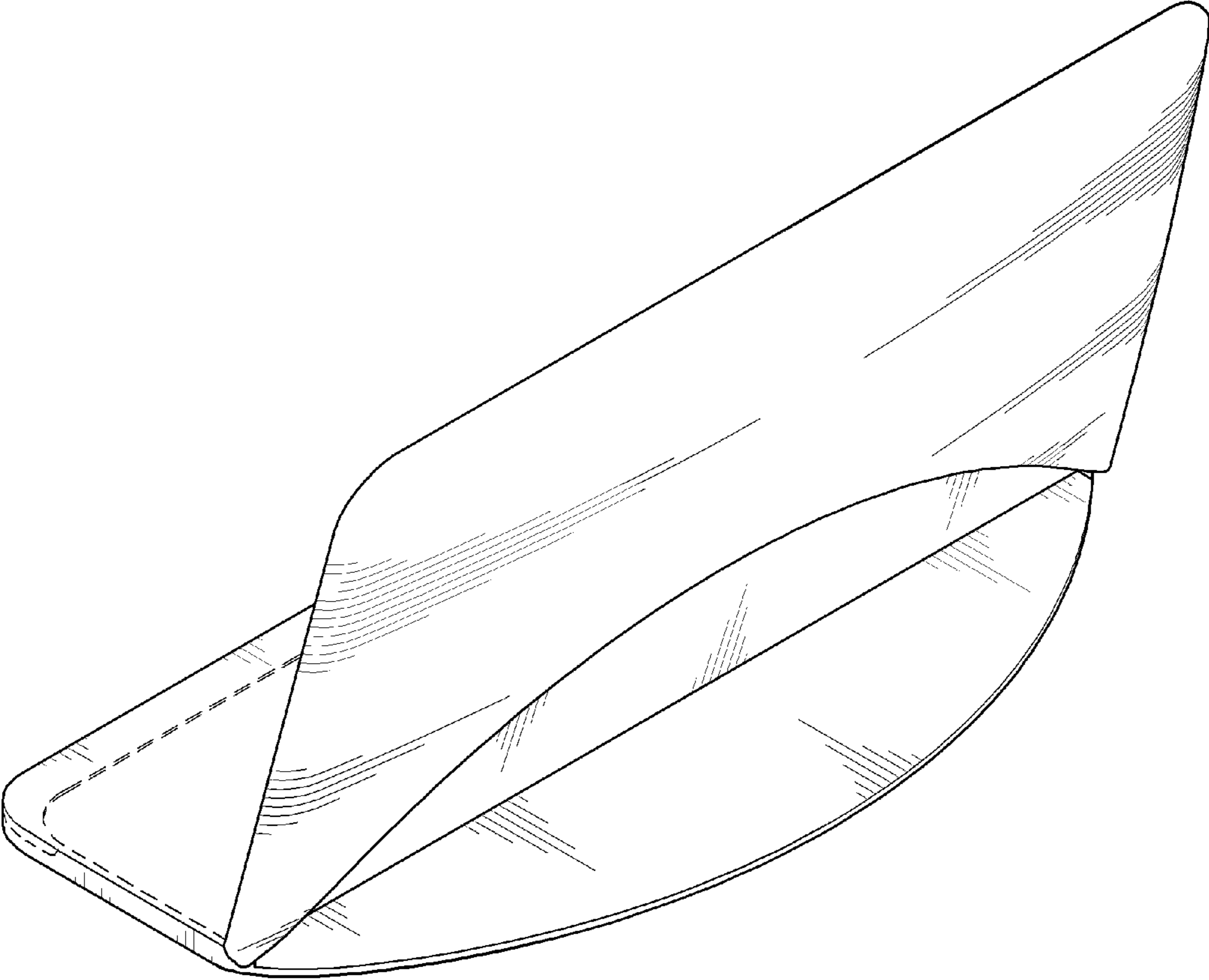


FIG.9

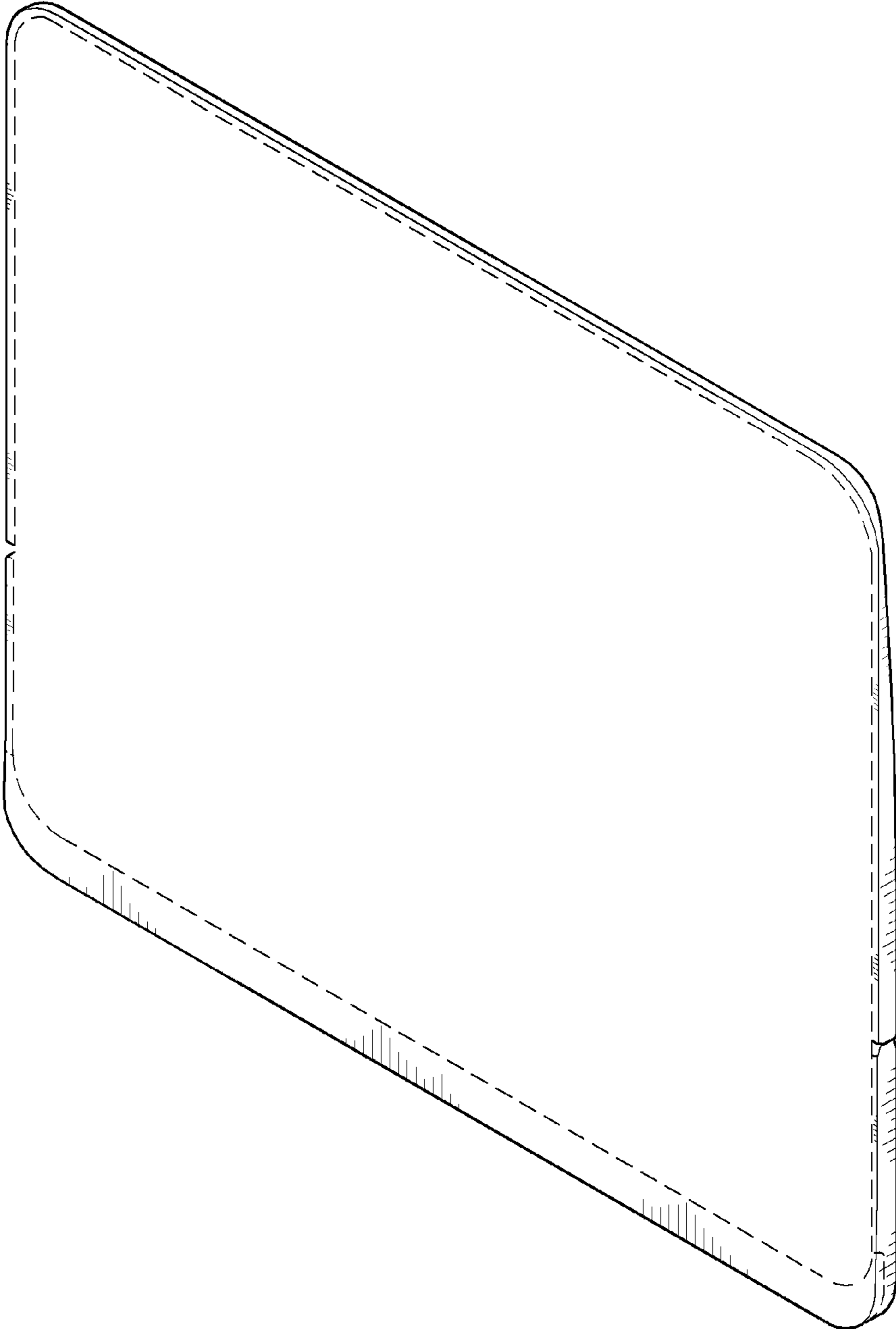


FIG.10



FIG.11

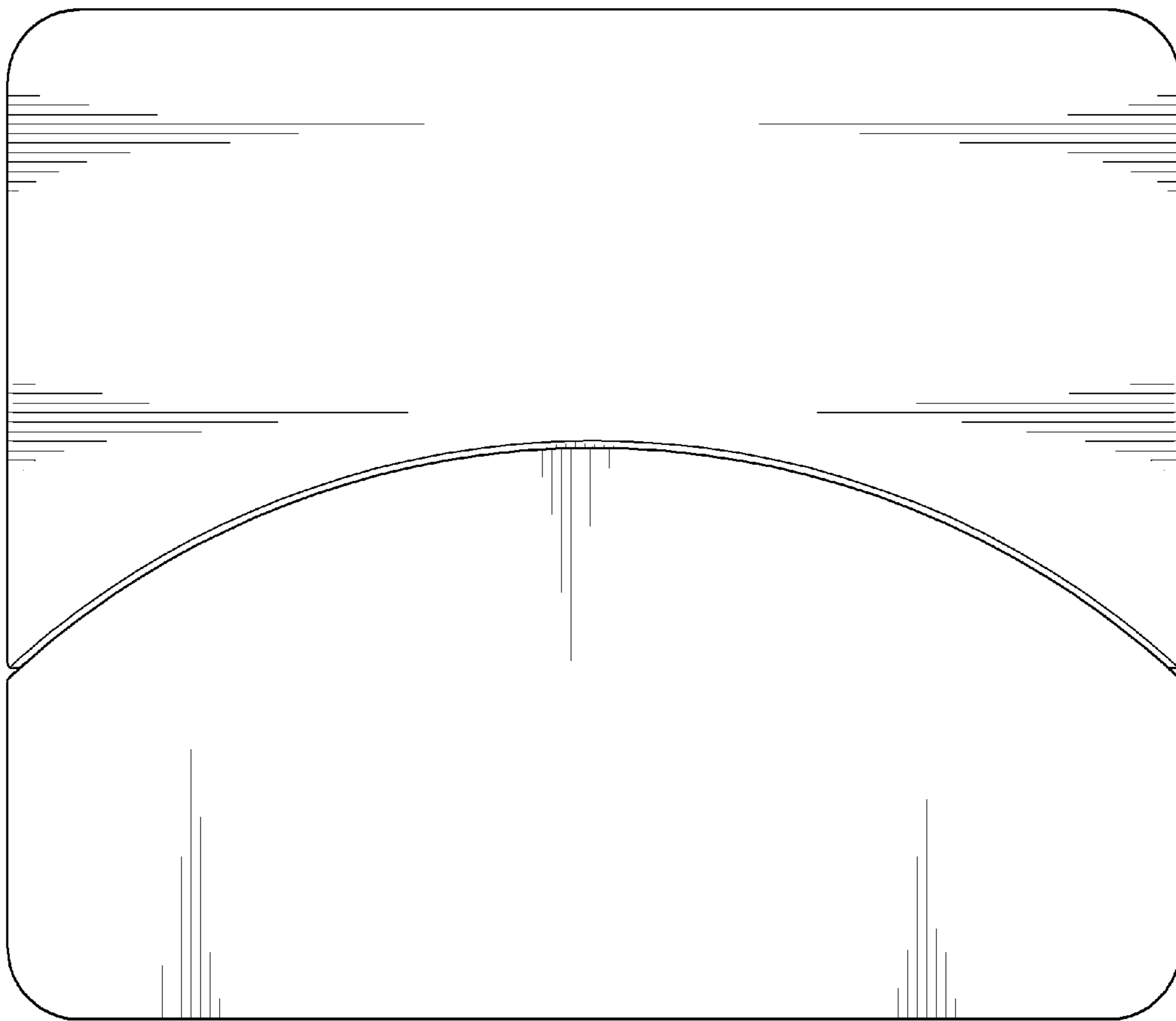


FIG.12

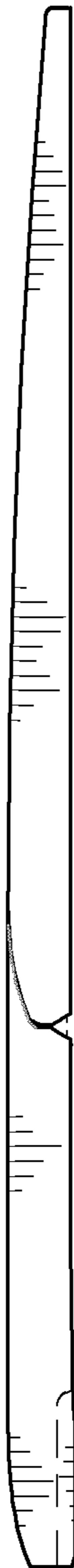


FIG.13

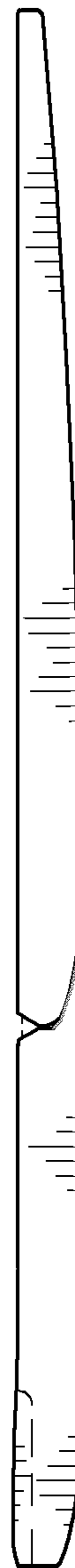


FIG.14

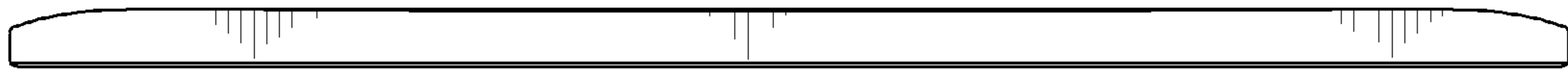


FIG.15

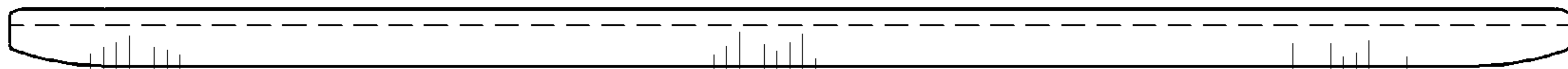


FIG.16

